



US00D955040S

(12) **United States Design Patent**
Jin

(10) **Patent No.:** **US D955,040 S**

(45) **Date of Patent:** **** Jun. 14, 2022**

(54) **HAIR DRYER**

(71) Applicant: **Shenzhen DJ Innovation Industry Co., Ltd, Shenzhen (CN)**

(72) Inventor: **Bo Jin, Shenzhen (CN)**

(**) Term: **15 Years**

(21) Appl. No.: **29/754,571**

(22) Filed: **Oct. 13, 2020**

(51) **LOC (13) Cl.** **28-03**

(52) **U.S. Cl.**
USPC **D28/13**

(58) **Field of Classification Search**
USPC D28/12-19; D8/29.1
CPC A45D 20/00; A45D 20/04; A45D 20/08;
A45D 20/10; A45D 20/12; A45D
2020/128
See application file for complete search history.

(56) **References Cited**

U.S. PATENT DOCUMENTS

D247,630 S *	3/1978	Wistrand	D28/13
D250,722 S *	1/1979	Cousins	D28/16
4,132,360 A *	1/1979	Lee, Jr.	A45D 20/124 239/383

D257,492 S *	11/1980	Cousins	D28/13
D850,001 S *	5/2019	Coulton	D28/18
D853,637 S *	7/2019	Coulton	D28/18
D901,768 S *	11/2020	Ceva	D28/13
D932,692 S *	10/2021	Wang	D28/12
D933,291 S *	10/2021	Huang	D28/13
D935,094 S *	11/2021	Zhou	D28/13
D939,765 S *	12/2021	Zhang	D28/35

* cited by examiner

Primary Examiner — **Zenia I Bennett**

(57) **CLAIM**

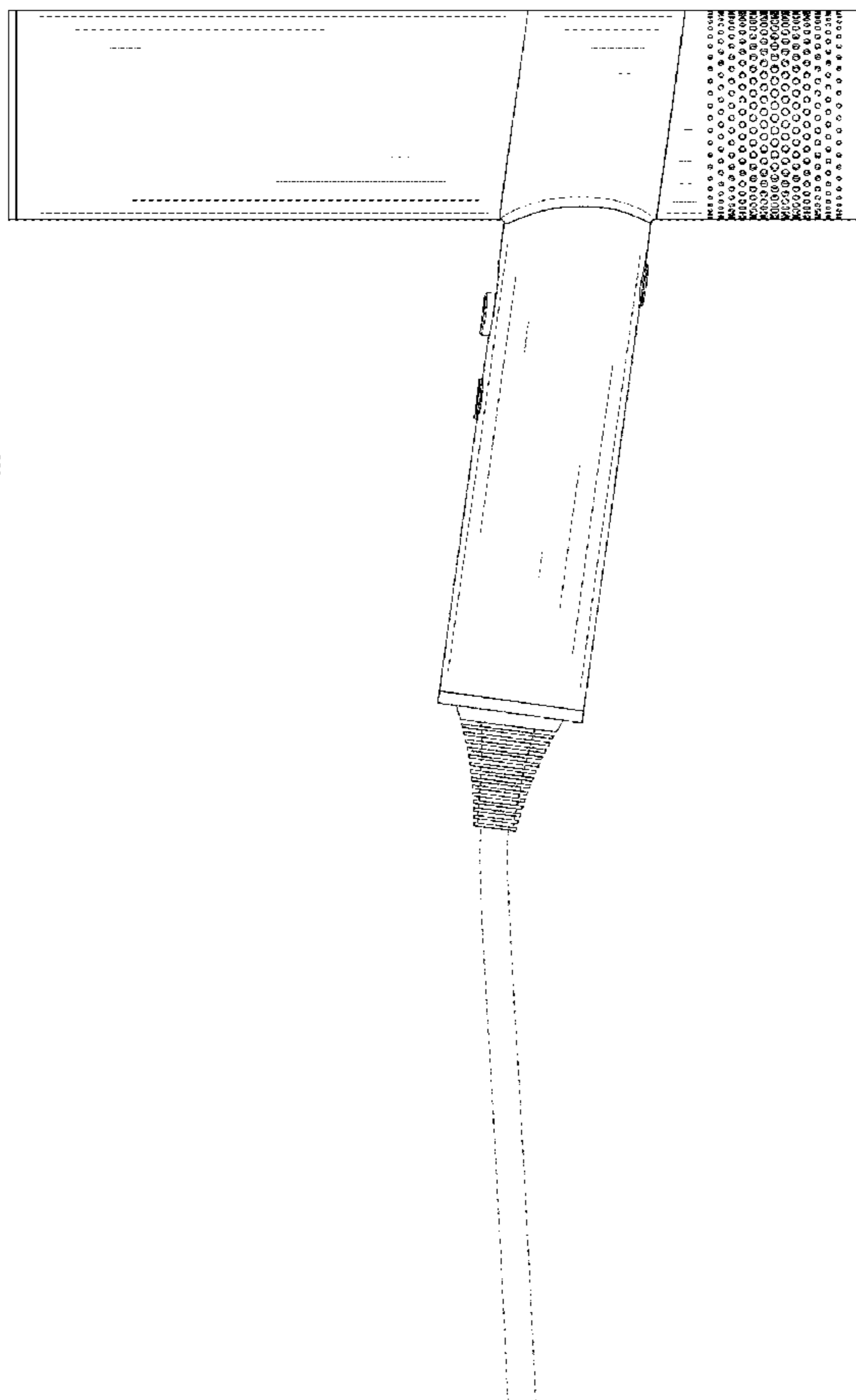
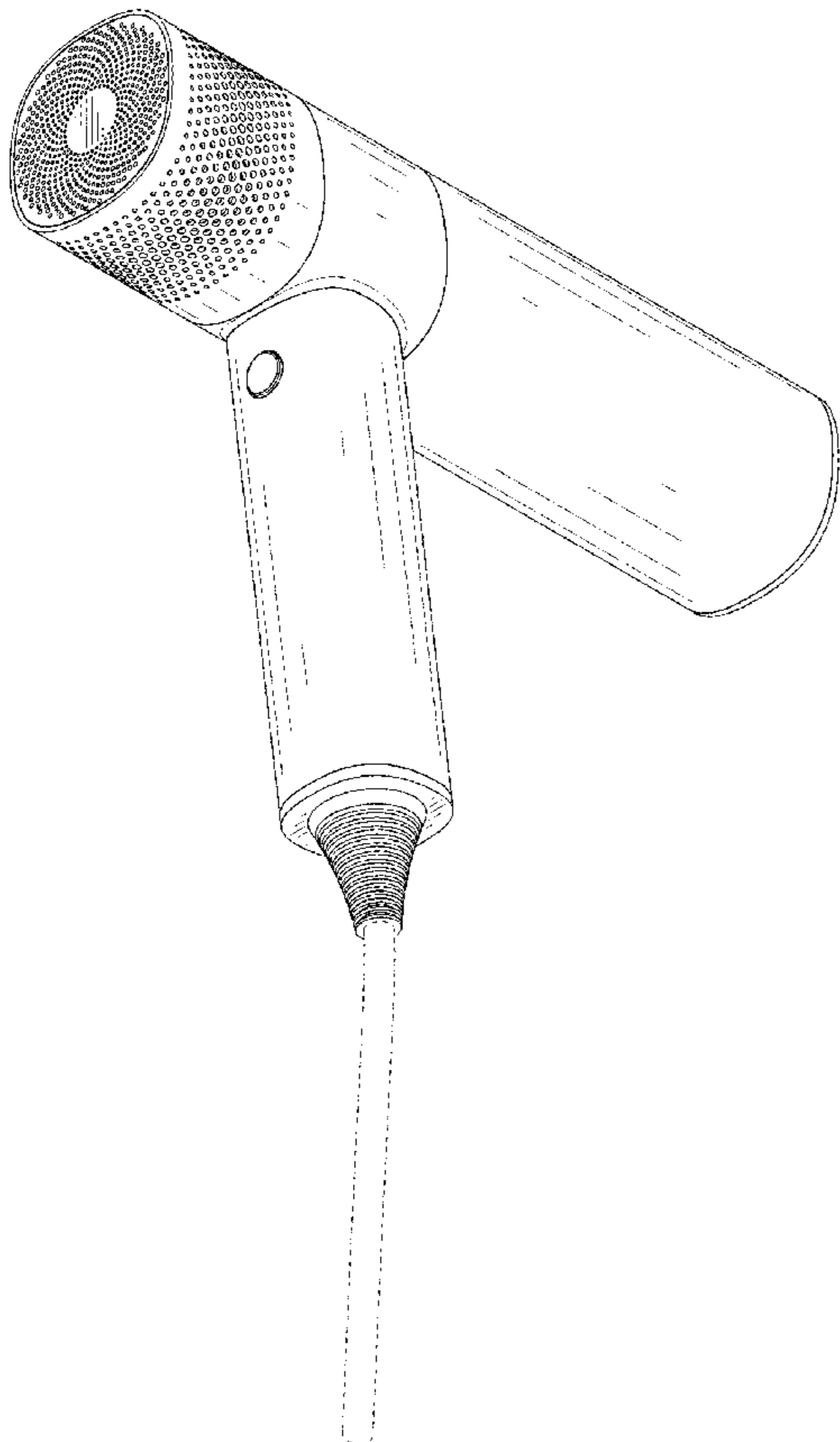
The ornamental design for a hair dryer, as shown and described.

DESCRIPTION

FIG. 1 is a first perspective view of a hair dryer showing my new design;
FIG. 2 is a second perspective view thereof;
FIG. 3 is a front view thereof;
FIG. 4 is a back view thereof;
FIG. 5 is a left side view thereof;
FIG. 6 is a right side view thereof;
FIG. 7 is a top view thereof; and,
FIG. 8 is a bottom view thereof.

The broken lines shown in the drawings depict portions of the hair dryer in which the design is embodied that form no part of the claimed design.

1 Claim, 8 Drawing Sheets



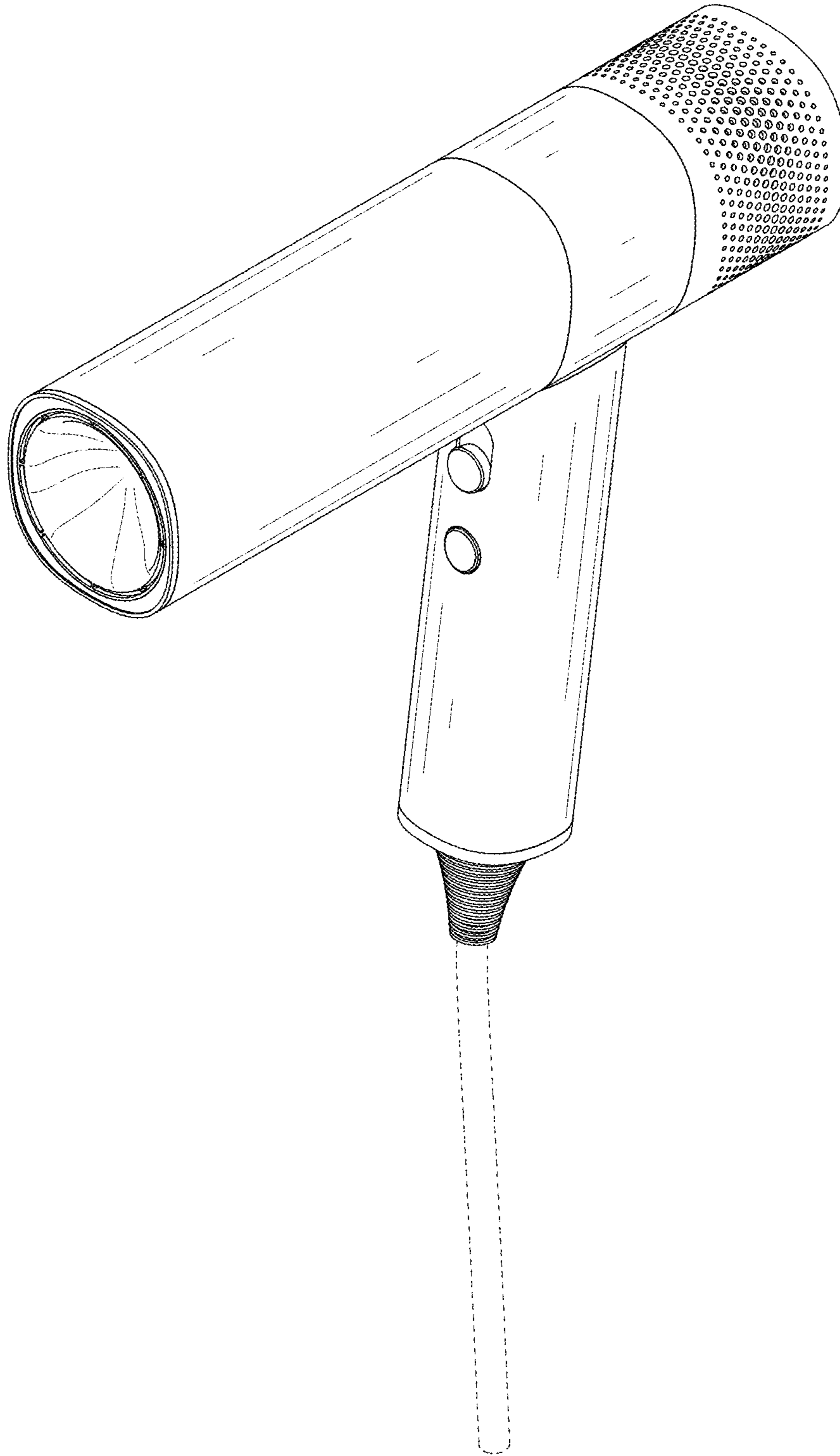


FIG. 1

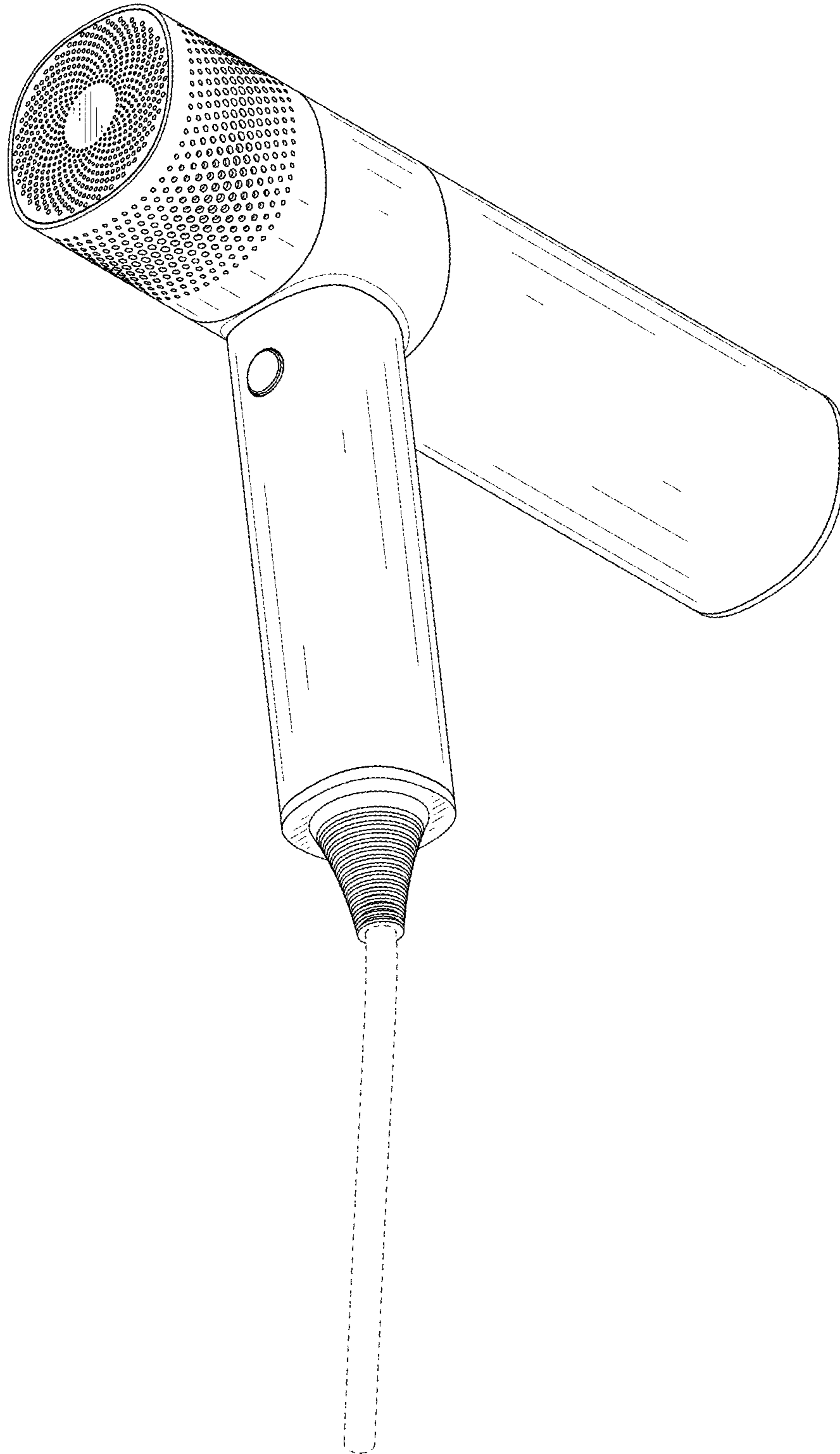


FIG. 2

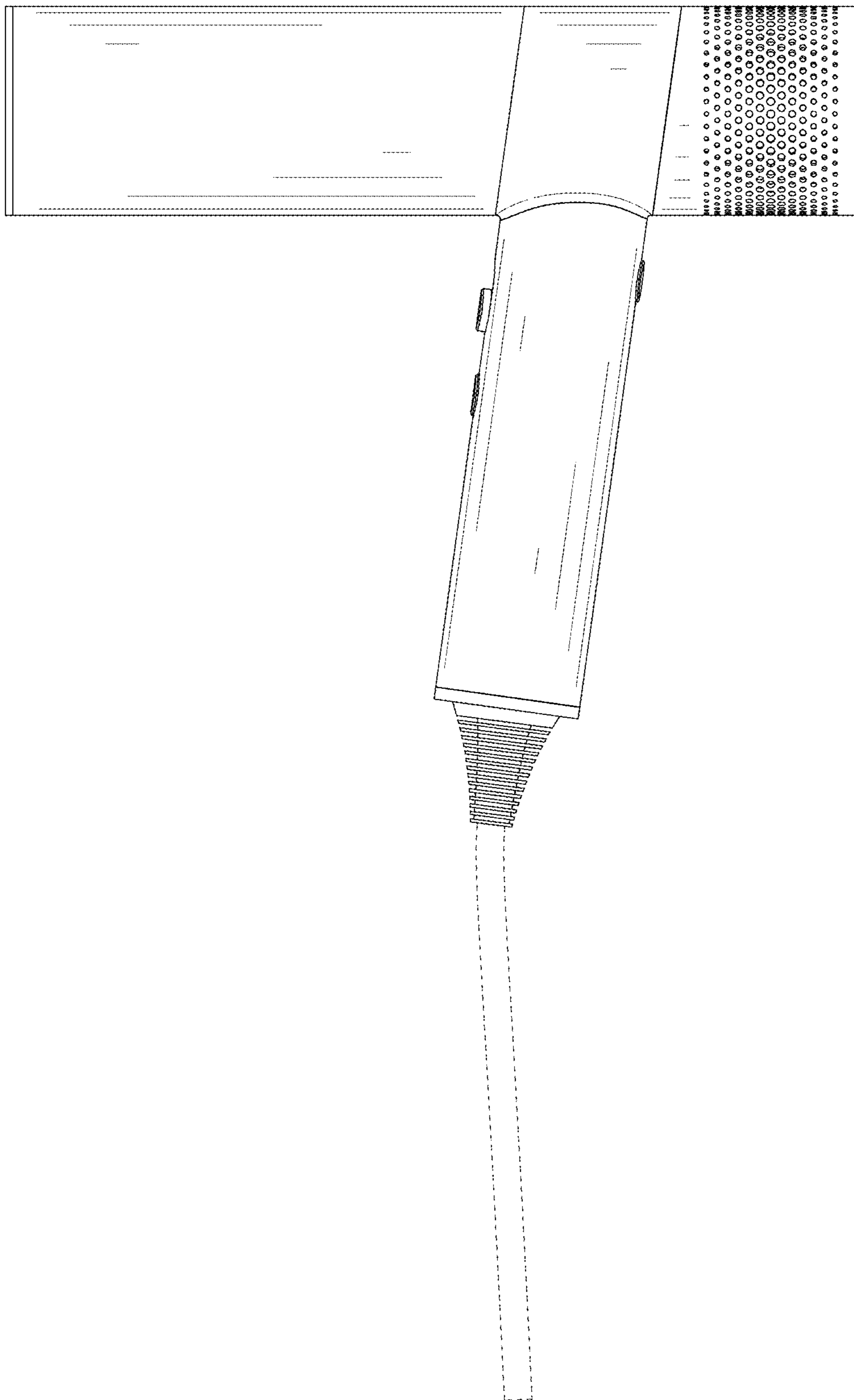


FIG. 3

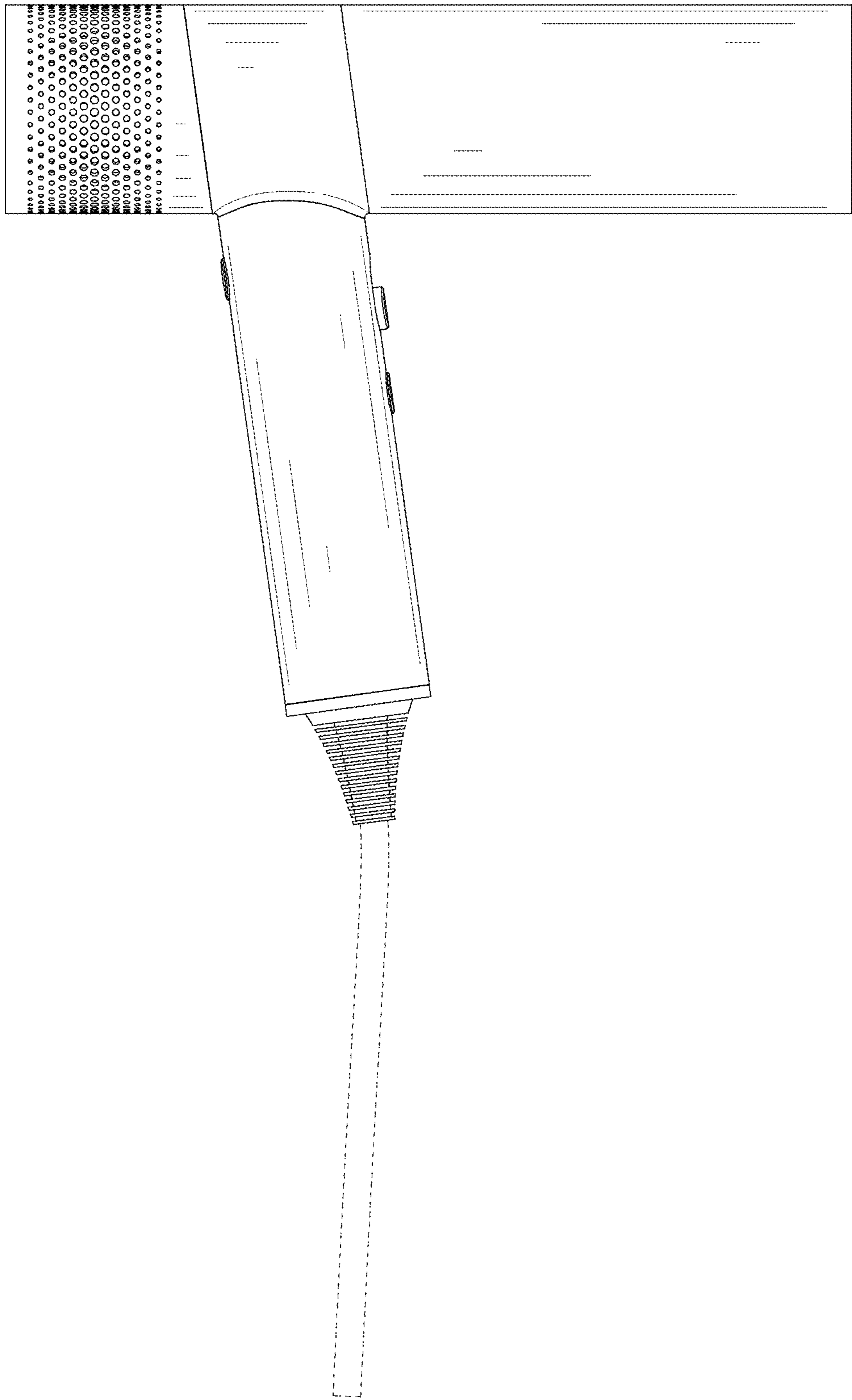


FIG. 4

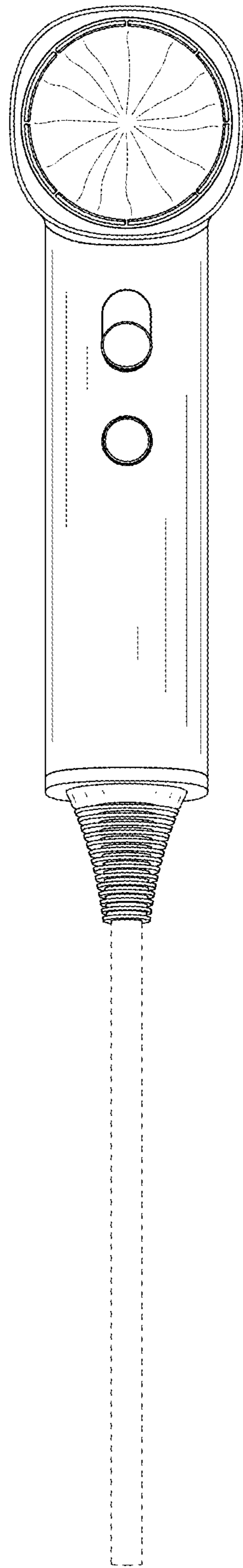


FIG. 5

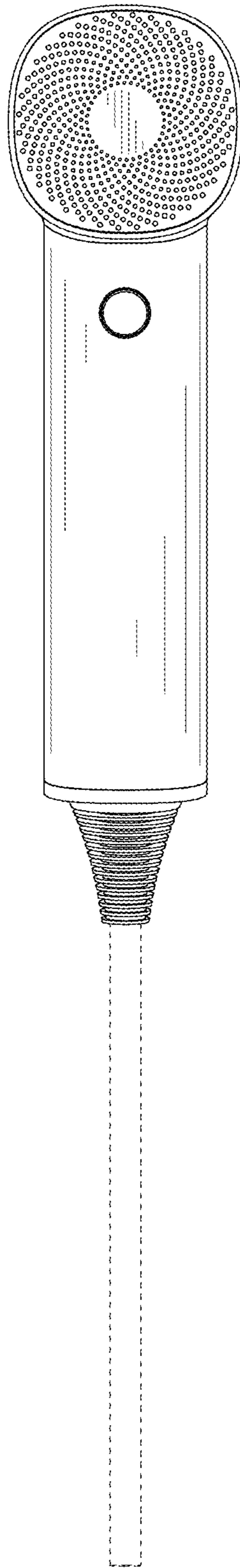


FIG. 6

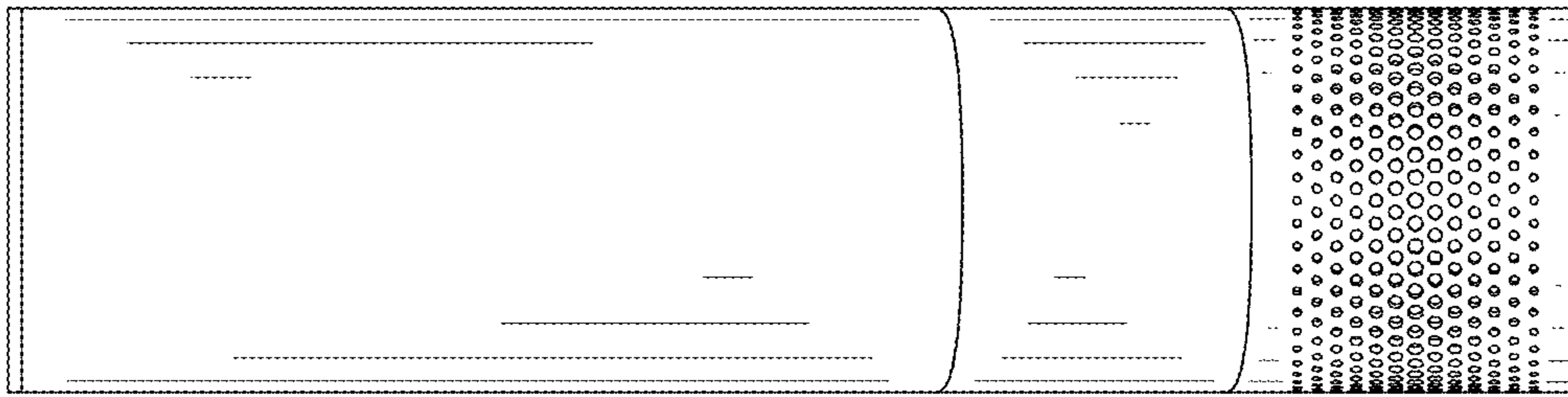


FIG. 7

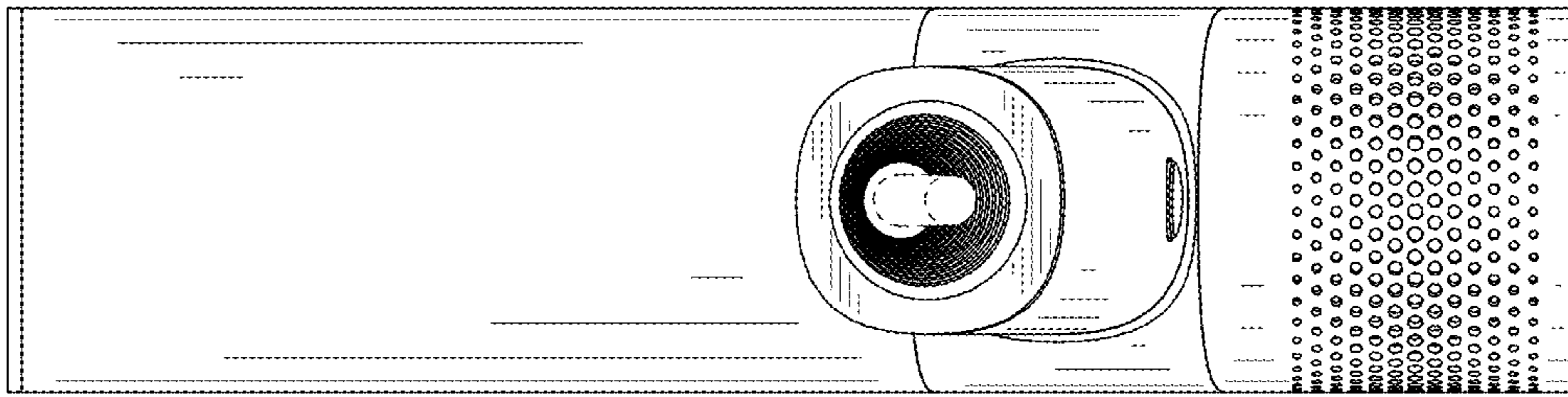


FIG. 8