



US00D955039S

(12) **United States Design Patent**  
**Lee et al.**

(10) **Patent No.:** **US D955,039 S**  
(45) **Date of Patent:** **\*\* Jun. 14, 2022**

(54) **BODY DRYER**  
(71) Applicant: **LG ELECTRONICS INC.**, Seoul (KR)  
(72) Inventors: **Seungyup Lee**, Seoul (KR); **Sangyoon Lee**, Seoul (KR); **Byungsoo Oh**, Seoul (KR)  
(73) Assignee: **LG ELECTRONICS INC.**, Seoul (KR)  
(\*\*) Term: **15 Years**

6,962,005 B1 \* 11/2005 Khosropour ..... A47K 10/48 34/218  
7,900,371 B1 \* 3/2011 Bullard ..... A47K 10/48 34/202  
8,112,899 B1 \* 2/2012 Duckworth ..... A47K 10/48 34/202  
2004/0000067 A1 \* 1/2004 Baumann ..... A47K 10/48 34/90  
2009/0145002 A1 \* 6/2009 Brewer ..... A45D 20/12 34/443  
2013/0025149 A1 \* 1/2013 Farousi ..... A47K 10/48 34/88  
2020/0305660 A1 \* 10/2020 Benvenisti ..... A47K 10/48  
\* cited by examiner

(21) Appl. No.: **29/728,043**  
(22) Filed: **Mar. 16, 2020**

*Primary Examiner* — Zenia I Bennett  
(74) *Attorney, Agent, or Firm* — Birch, Stewart, Kolasch & Birch, LLP

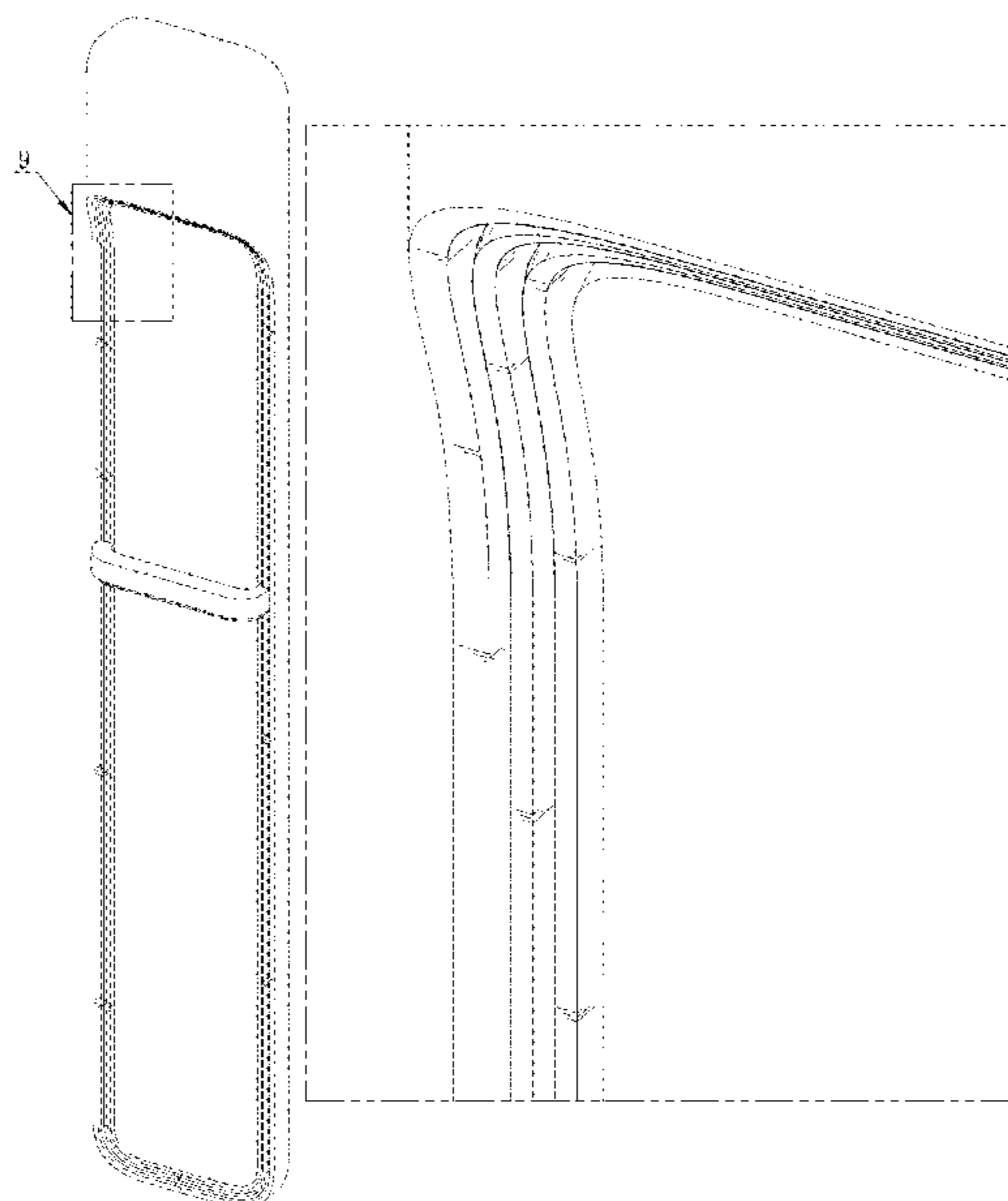
(30) **Foreign Application Priority Data**  
Sep. 27, 2019 (KR) ..... 30-2019-0046712  
(51) **LOC (13) Cl.** ..... **28-03**  
(52) **U.S. Cl.**  
USPC ..... **D28/9**  
(58) **Field of Classification Search**  
USPC ..... D28/9, 12, 54.1, 58; D23/357, 361, 385  
CPC ..... F26B 21/004; A45D 20/00; A47K 10/48; B05B 1/04  
See application file for complete search history.

(57) **CLAIM**  
We claim the ornamental design for a body dryer, as shown and described.

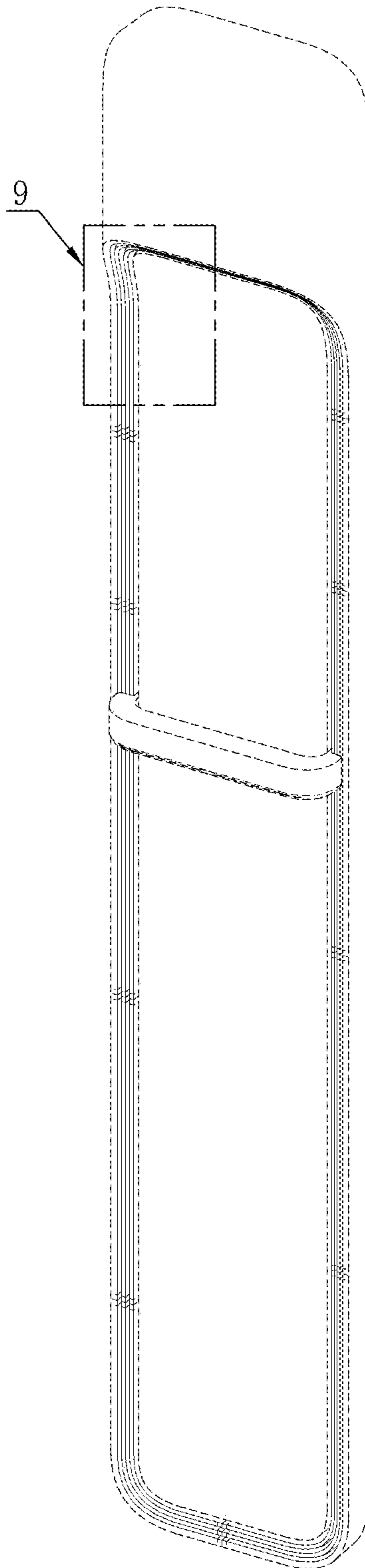
(56) **References Cited**  
U.S. PATENT DOCUMENTS  
3,785,523 A \* 1/1974 Goldstein ..... A47K 10/44 221/42  
3,878,621 A \* 4/1975 Duerre ..... A47K 10/48 34/90  
4,961,272 A \* 10/1990 Lee ..... A47K 10/48 34/202  
6,349,484 B1 \* 2/2002 Cohen ..... A47K 10/48 34/225

**DESCRIPTION**  
FIG. 1 is a perspective view of a body dryer showing the new design;  
FIG. 2 is a front elevation view thereof;  
FIG. 3 is a rear elevation view thereof;  
FIG. 4 is a left-side elevation view thereof;  
FIG. 5 is a right-side elevation view thereof;  
FIG. 6 is a top plan view thereof;  
FIG. 7 is a bottom plan view thereof;  
FIG. 8 is a perspective view showing a state in which the wind is discharged from a discharge opening; and,  
FIG. 9 is an enlarged view of portion "9" shown in FIG. 1. The broken lines in the drawing depicting the arrows and portions of the body dryer are for illustrative purposes only and form no part of the claimed design.

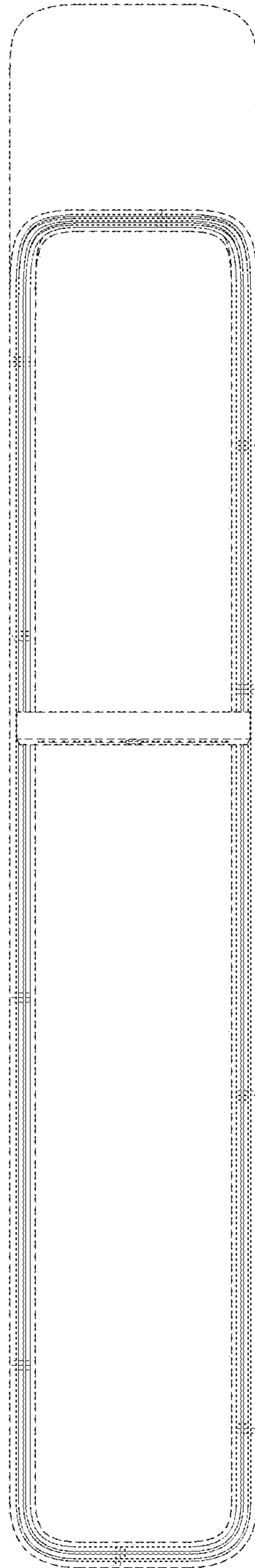
**1 Claim, 9 Drawing Sheets**



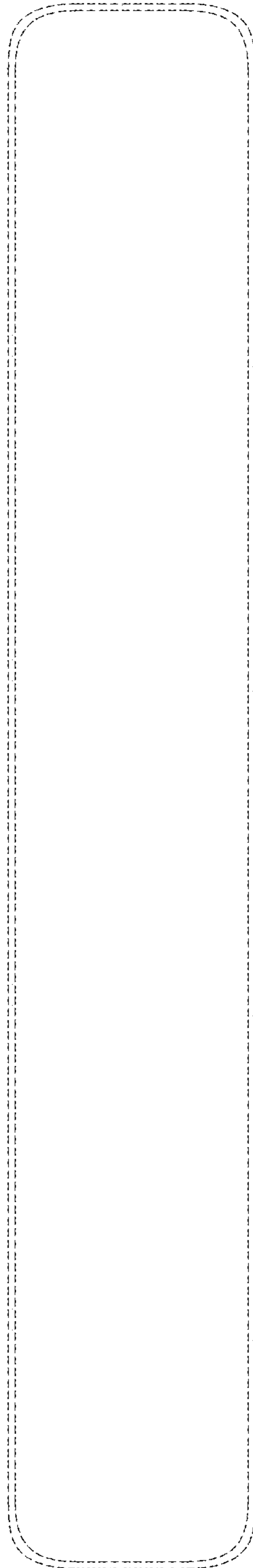
*FIG. 1*



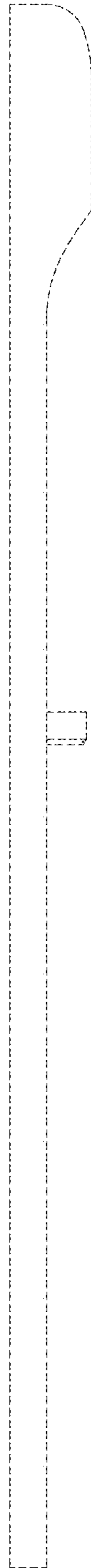
*FIG. 2*



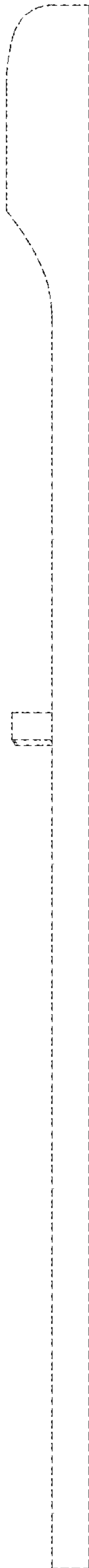
*FIG. 3*



*FIG. 4*



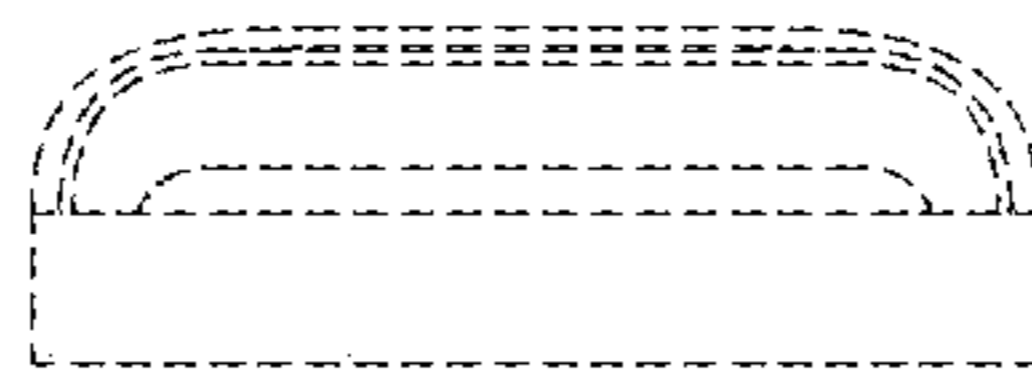
*FIG. 5*



*FIG. 6*

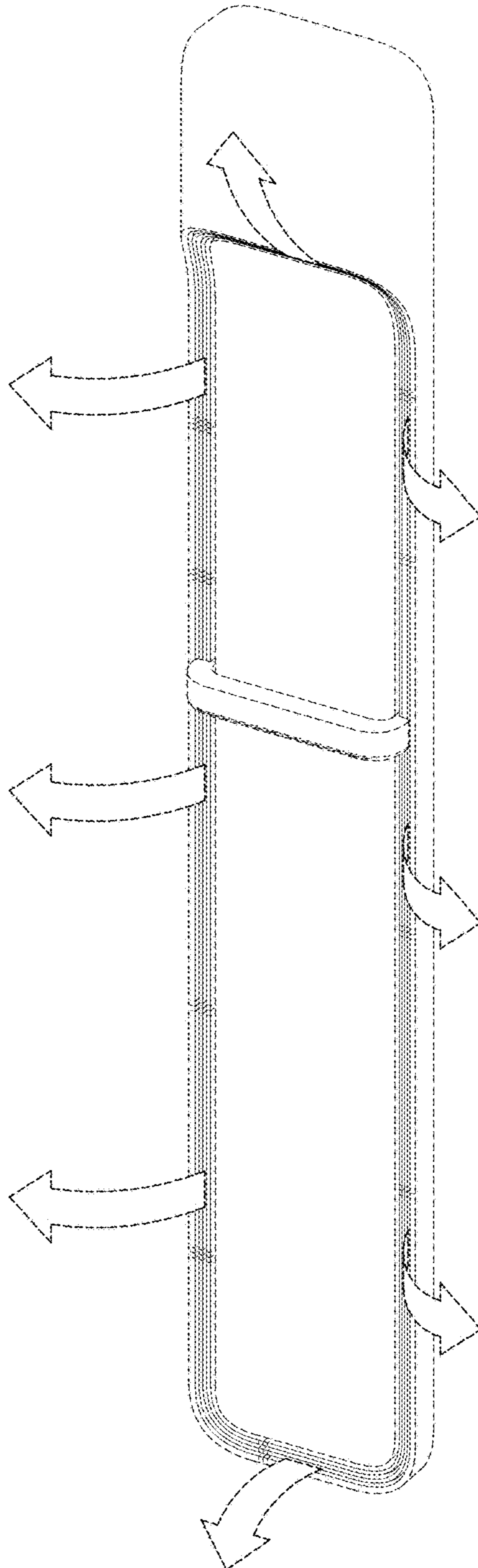


*FIG. 7*





*FIG. 8*



*FIG. 9*

