



US00D955031S

(12) **United States Design Patent** (10) **Patent No.:** **US D955,031 S**
Saarnio (45) **Date of Patent:** **** Jun. 14, 2022**

(54) **LIGHT DIFFUSER**

(71) Applicant: **LEDIL OY**, Salo (FI)

(72) Inventor: **Olli Saarnio**, Salo (FI)

(73) Assignee: **LEDIL OY**, Salo (FI)

(**) Term: **15 Years**

(21) Appl. No.: **29/734,514**

(22) Filed: **May 13, 2020**

(30) **Foreign Application Priority Data**

Nov. 14, 2019 (EM) 007213608

(51) **LOC (13) Cl.** **26-05**

(52) **U.S. Cl.**
USPC **D26/118**

(58) **Field of Classification Search**
USPC D26/24, 105, 107, 108, 112, 113, 118,
D26/119, 122, 123, 133, 134; D16/237,
D16/241, 250

CPC . F21V 3/00; F21V 3/049; F21V 3/061; F21V
3/062; F21V 3/0615; F21V 3/0625; F21V
7/00; F21V 7/005; F21V 7/041; F21V
7/043; F21V 7/0008; F21V 7/091; F21V
11/00; F21V 11/02; F21V 1/00; F21V
1/04; F21V 1/06; F21V 5/00; F21V 5/007
See application file for complete search history.

(56) **References Cited**

U.S. PATENT DOCUMENTS

D370,550 S * 6/1996 Lecluze D26/118
D376,667 S * 12/1996 Lucluze D26/119
D439,009 S * 3/2001 Broeders D26/119
D481,823 S * 11/2003 McClow D26/113
D544,640 S * 6/2007 Sase D26/123
D689,649 S * 9/2013 Popper D26/124

D746,508 S * 12/2015 Deluca D26/118
D746,509 S * 12/2015 Yu D26/120
D748,848 S * 2/2016 Laukkanen D26/118
D768,911 S * 10/2016 Deluca D26/118
D809,188 S * 1/2018 Li D26/120
D810,353 S * 2/2018 Sempe D26/118
D887,072 S * 6/2020 Lee D26/110
D925,812 S * 7/2021 Luo D26/123
D927,047 S * 8/2021 Mullen D26/118
D935,689 S * 11/2021 Huang D28/18
2010/0165636 A1* 7/2010 Chen F21V 7/0091
362/308
2011/0280023 A1* 11/2011 Lee F21V 5/04
362/338
2015/0192257 A1* 7/2015 Javadian F21K 9/60
362/555
2017/0138565 A1* 5/2017 Ko F21V 19/0055
(Continued)

Primary Examiner — Wan Laymon

Assistant Examiner — Clint A Samuel

(74) *Attorney, Agent, or Firm* — Nixon & Vanderhye

(57) **CLAIM**

The ornamental design for a light diffuser, as shown and described.

DESCRIPTION

FIG. 1 is a front, left side, and top perspective view of a light diffuser showing the new design;

FIG. 2 is a front, left side, and bottom perspective view thereof;

FIG. 3 is a top plan view thereof;

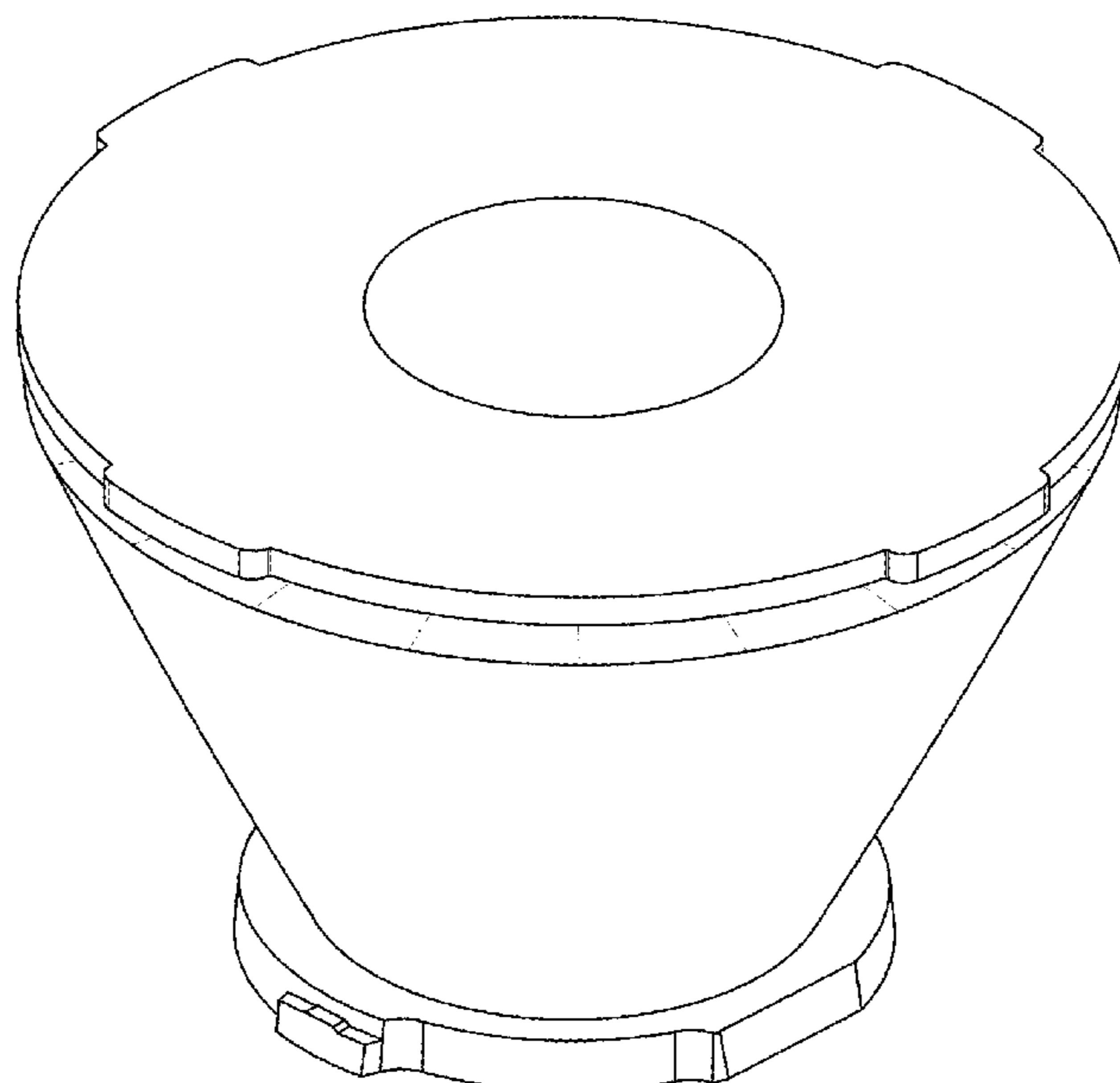
FIG. 4 is a bottom plan view thereof;

FIG. 5 is a right side elevation view thereof, wherein the left side elevation view appears the same in mirror image; and,

FIG. 6 is a front elevation view thereof, wherein the rear elevation appears the same in mirror image.

The broken lines shown in the drawings illustrate portions of the light diffuser that form no part of the claimed design.

1 Claim, 6 Drawing Sheets



(56)

References Cited

U.S. PATENT DOCUMENTS

2021/0190344 A1* 6/2021 Pille F24F 8/10
2021/0254813 A1* 8/2021 Demuyck F21V 17/18

* cited by examiner

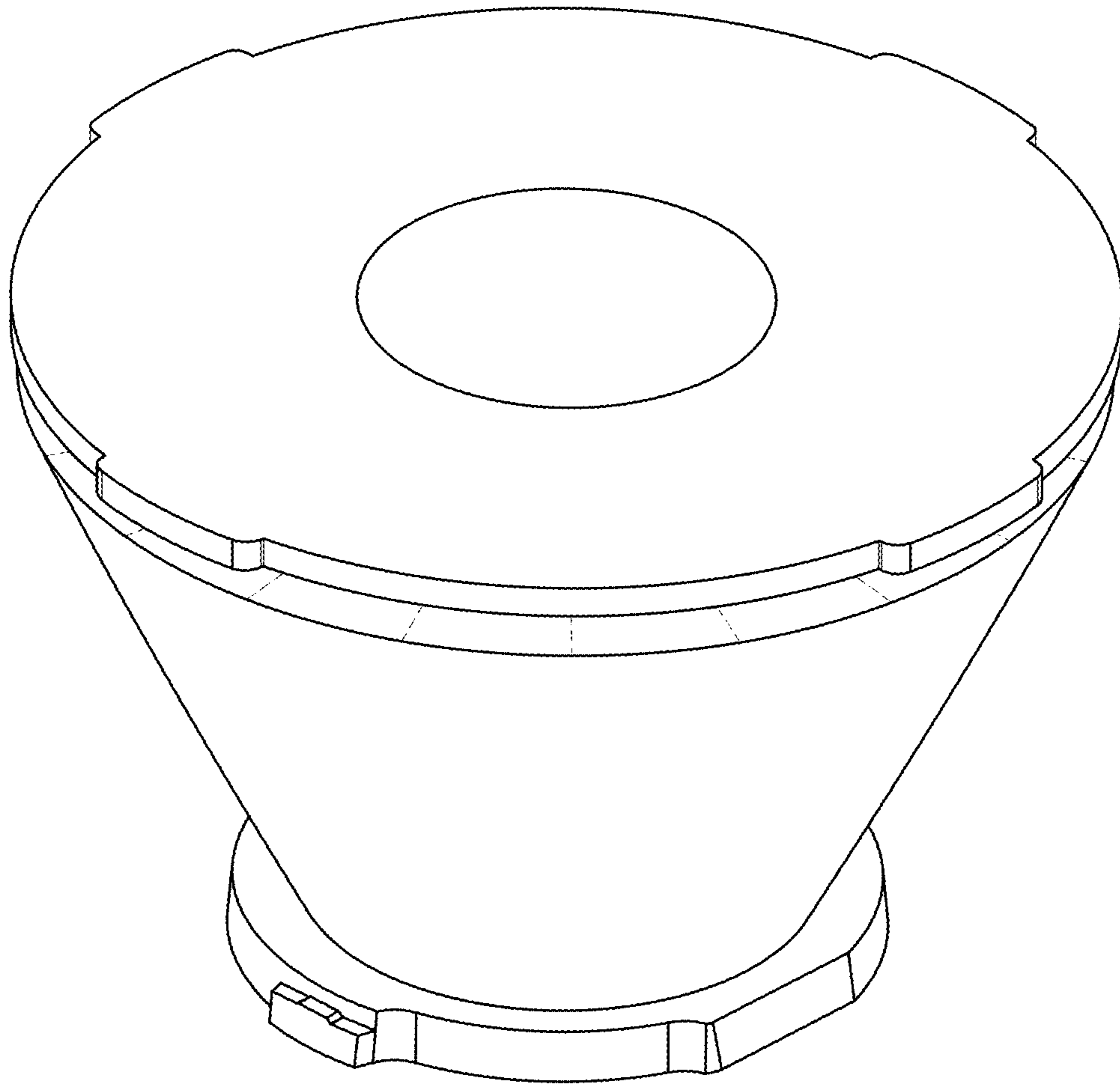


FIG. 1

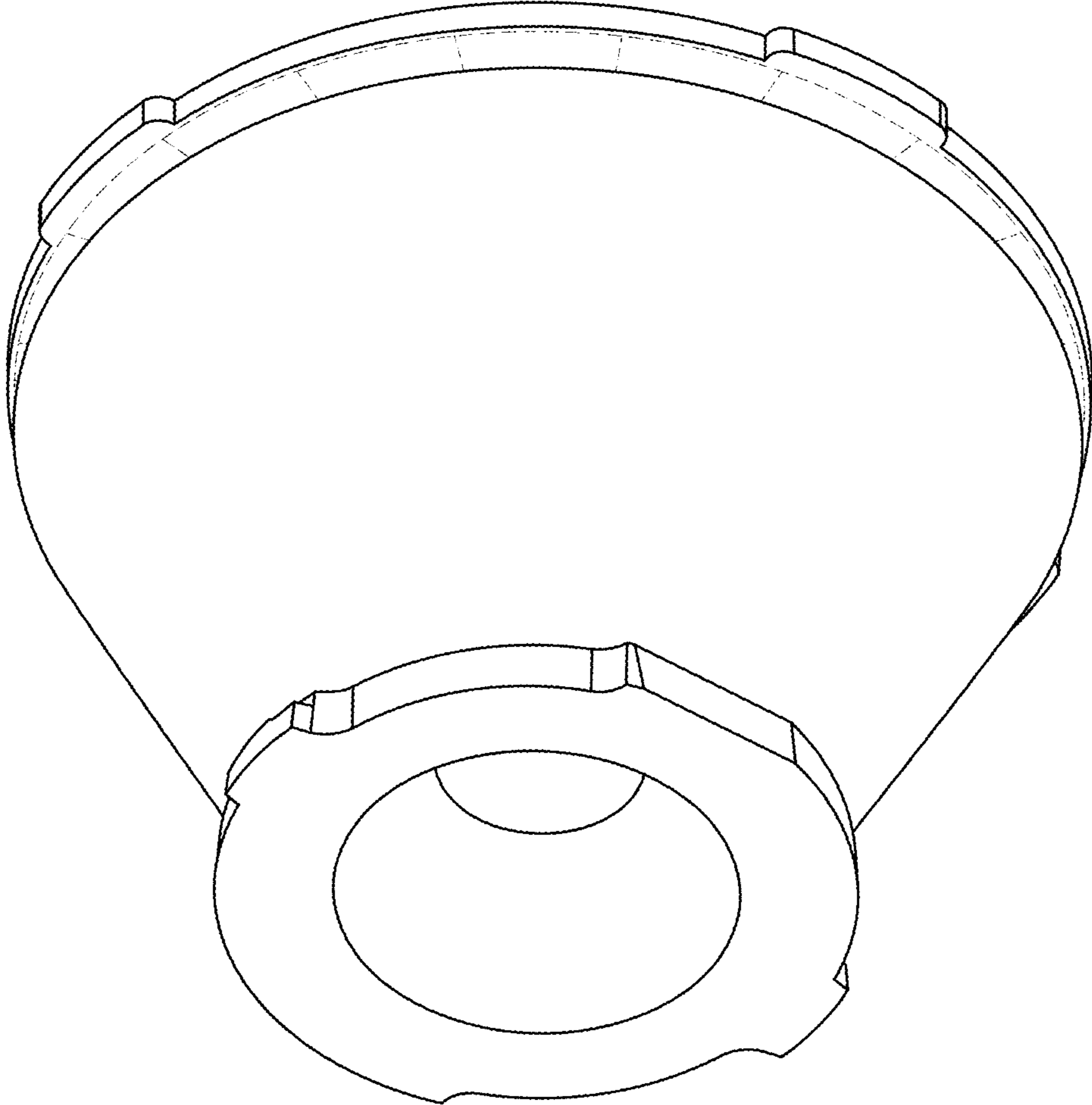


FIG. 2

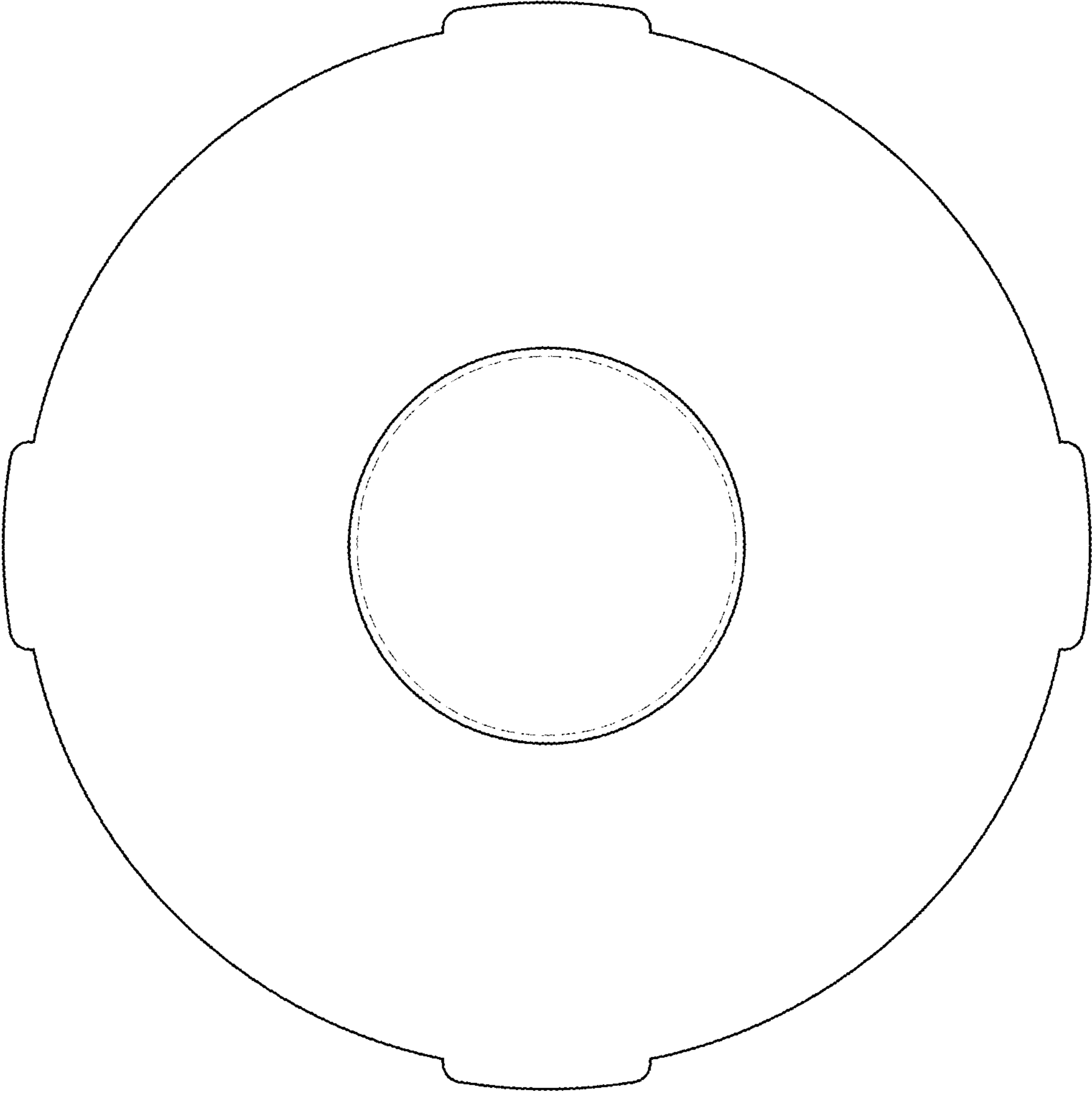


FIG. 3

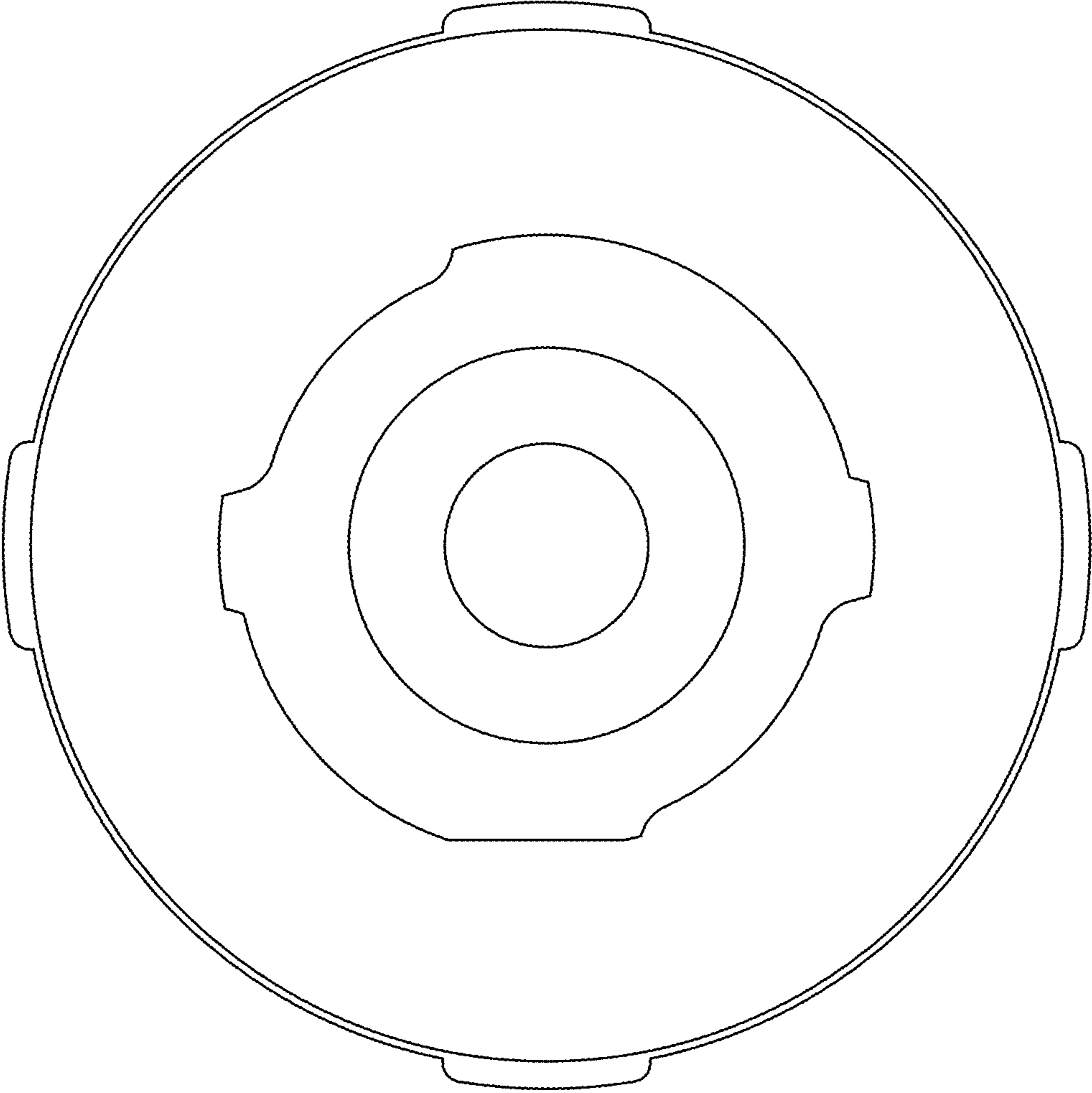


FIG. 4

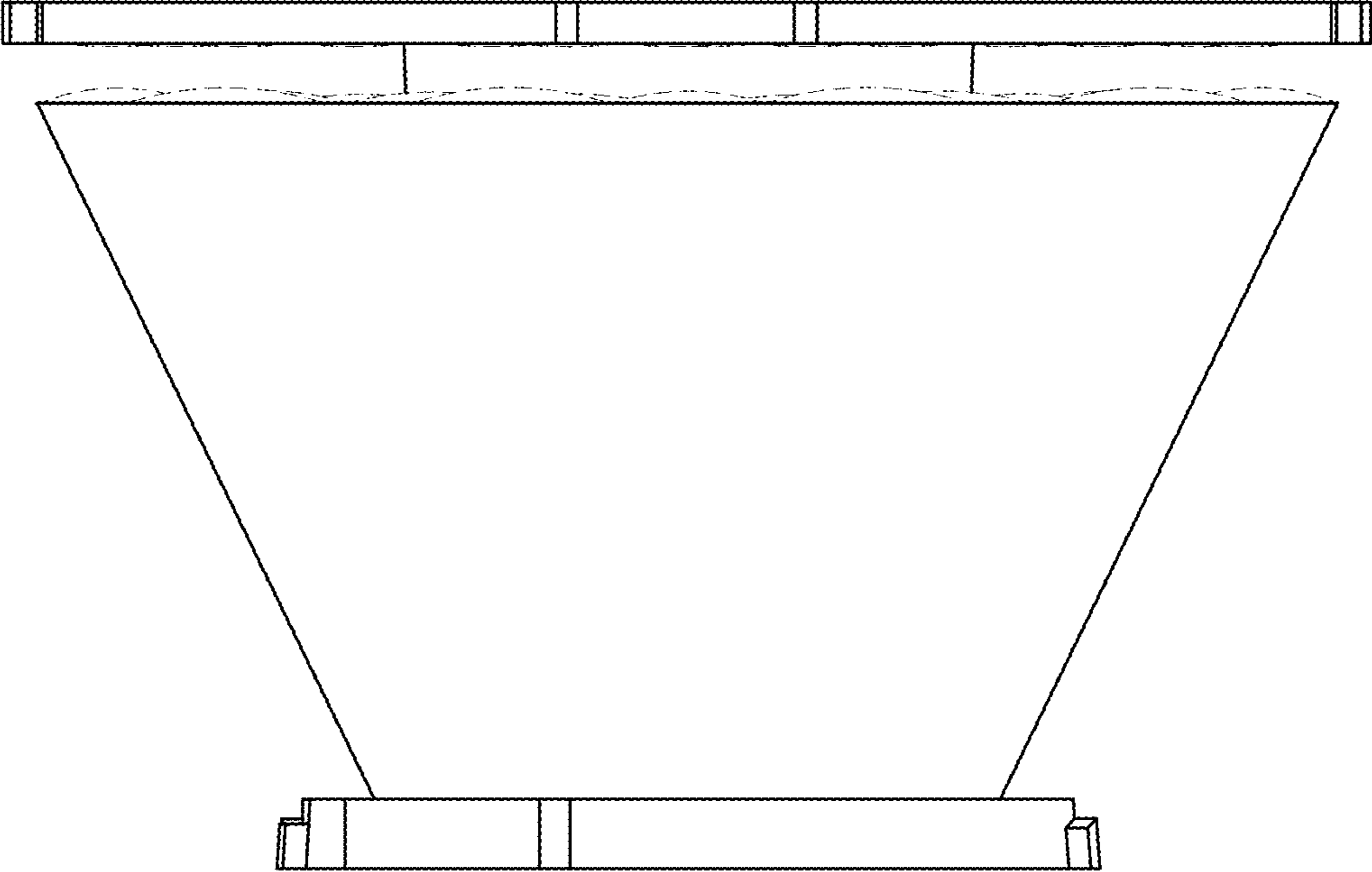


FIG. 5

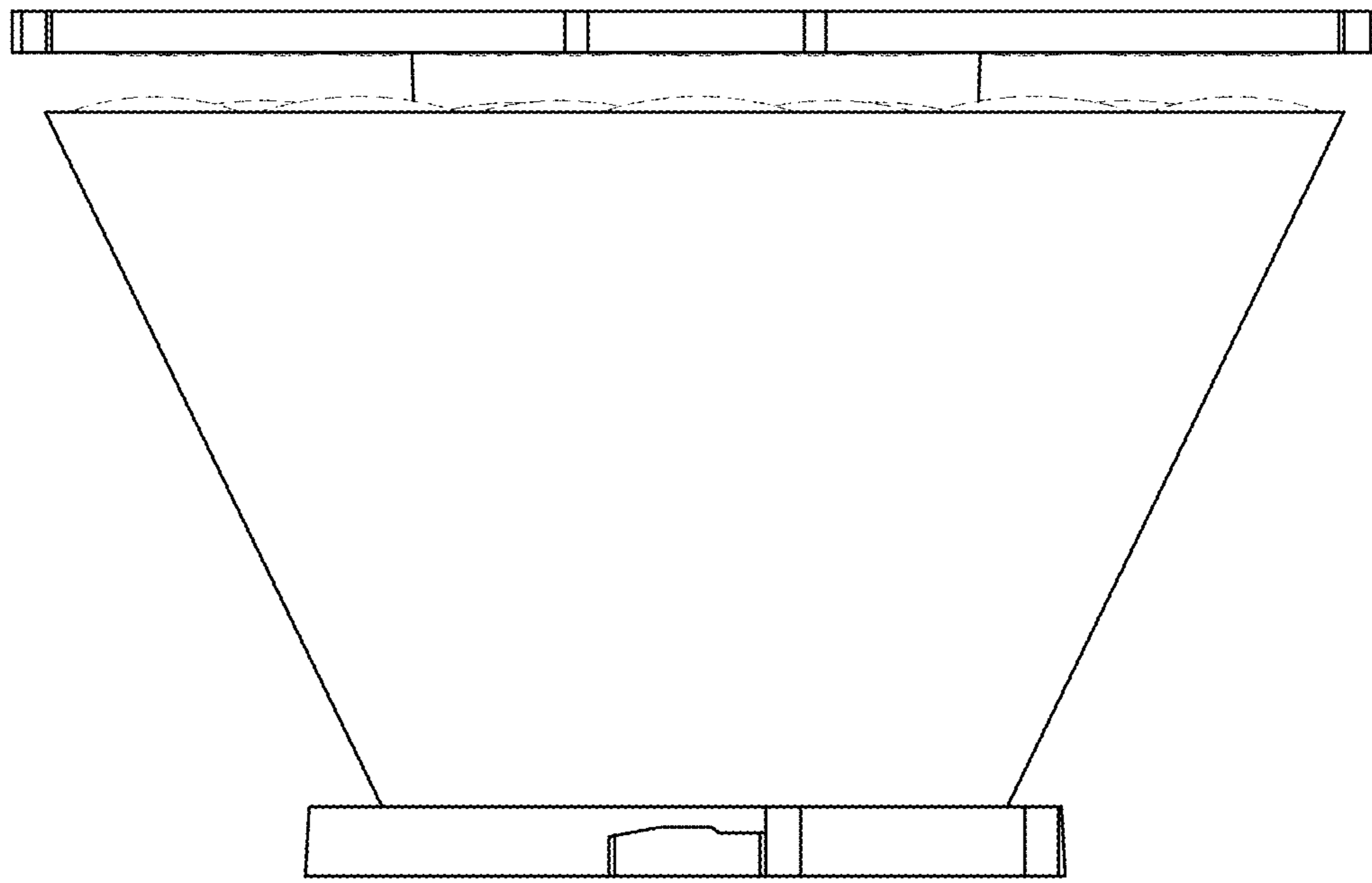


FIG. 6