



US00D955028S

(12) **United States Design Patent**  
**Xie**

(10) **Patent No.:** **US D955,028 S**  
(45) **Date of Patent:** **\*\* Jun. 14, 2022**

(54) **LED HIGH BAY LIGHT**

(71) Applicant: **Weiqing Xie**, Hengyang (CN)

(72) Inventor: **Weiqing Xie**, Hengyang (CN)

(\*\*) Term: **15 Years**

(21) Appl. No.: **29/772,609**

(22) Filed: **Mar. 3, 2021**

(51) **LOC (13) Cl.** ..... **26-03**

(52) **U.S. Cl.**  
USPC ..... **D26/88**; D26/72

(58) **Field of Classification Search**  
USPC ..... D26/1, 72, 80, 88, 89  
CPC ..... F21W 2131/40; F21V 29/76; F21V 29/77;  
F21V 29/777; F21V 29/78  
See application file for complete search history.

(56) **References Cited**

**U.S. PATENT DOCUMENTS**

D688,408 S *	8/2013	Wung	.....	D26/88
D690,453 S *	9/2013	Guercio	.....	D26/88
D811,642 S *	2/2018	Liang	.....	D26/72
D839,469 S *	1/2019	Deng	.....	D26/88
D845,532 S *	4/2019	Zhu	.....	D26/72
D857,256 S	8/2019	Li		
D867,650 S *	11/2019	Cheng	.....	D26/113
D868,332 S *	11/2019	Zhao	.....	D26/72
D868,336 S	11/2019	Li		
D875,292 S	2/2020	Zhou et al.		
D903,923 S *	12/2020	Chen	.....	D26/72
D906,566 S *	12/2020	Li	.....	D26/72
D908,264 S *	1/2021	Liu	.....	D26/72
2013/0308314 A1 *	11/2013	Wung	.....	F21K 9/20
				362/249.02
2019/0293267 A1 *	9/2019	Marshal	.....	F21V 23/0471

**OTHER PUBLICATIONS**

VCMAG UFO LED High Bay Light, ASIN: B08KQ2Q69S. Available at amazon.com Dec. 8, 2020. (Year: 2020).\*  
OILTOOL Grandlumen 150w UFO LED high bay light, Model No. BY-UFO-B3-150W41. Available at globalsources.com visited Sep. 8, 2021. (Year: 2021).\*  
AntLux UFO High Bay LED Light, ASIN: B077ZLMTH9. Available at amazon.com Dec. 7, 2017. (Year: 2017).\*

\* cited by examiner

*Primary Examiner* — Clare E Heflin

(74) *Attorney, Agent, or Firm* — Che-Yang Chen; Law Office of Michael Chen

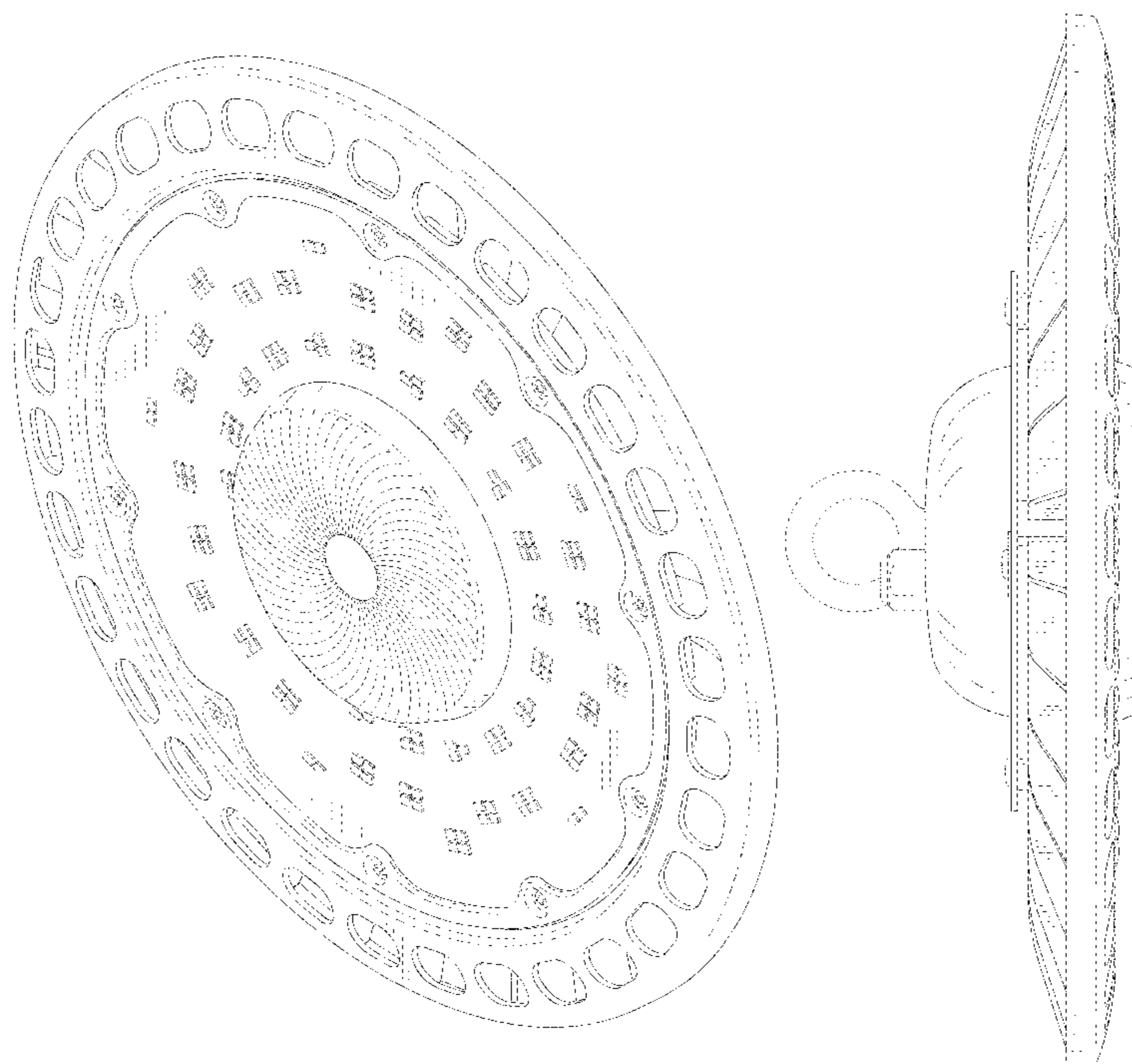
(57) **CLAIM**

The ornamental design for an LED high bay light, as shown and described.

**DESCRIPTION**

FIG. 1 is a perspective view of the LED high bay light showing my new design;  
FIG. 2 is a perspective view from another angle thereof;  
FIG. 3 is a bottom plan view thereof;  
FIG. 4 is a top plan view thereof.  
FIG. 5 is a left side elevational view thereof;  
FIG. 6 is a right side elevational view thereof;  
FIG. 7 is a front elevational view thereof; and,  
FIG. 8 is a rear elevational view thereof.  
The broken lines shown on the drawings depict portions of the LED high bay light that form no part of the claimed design.

**1 Claim, 8 Drawing Sheets**



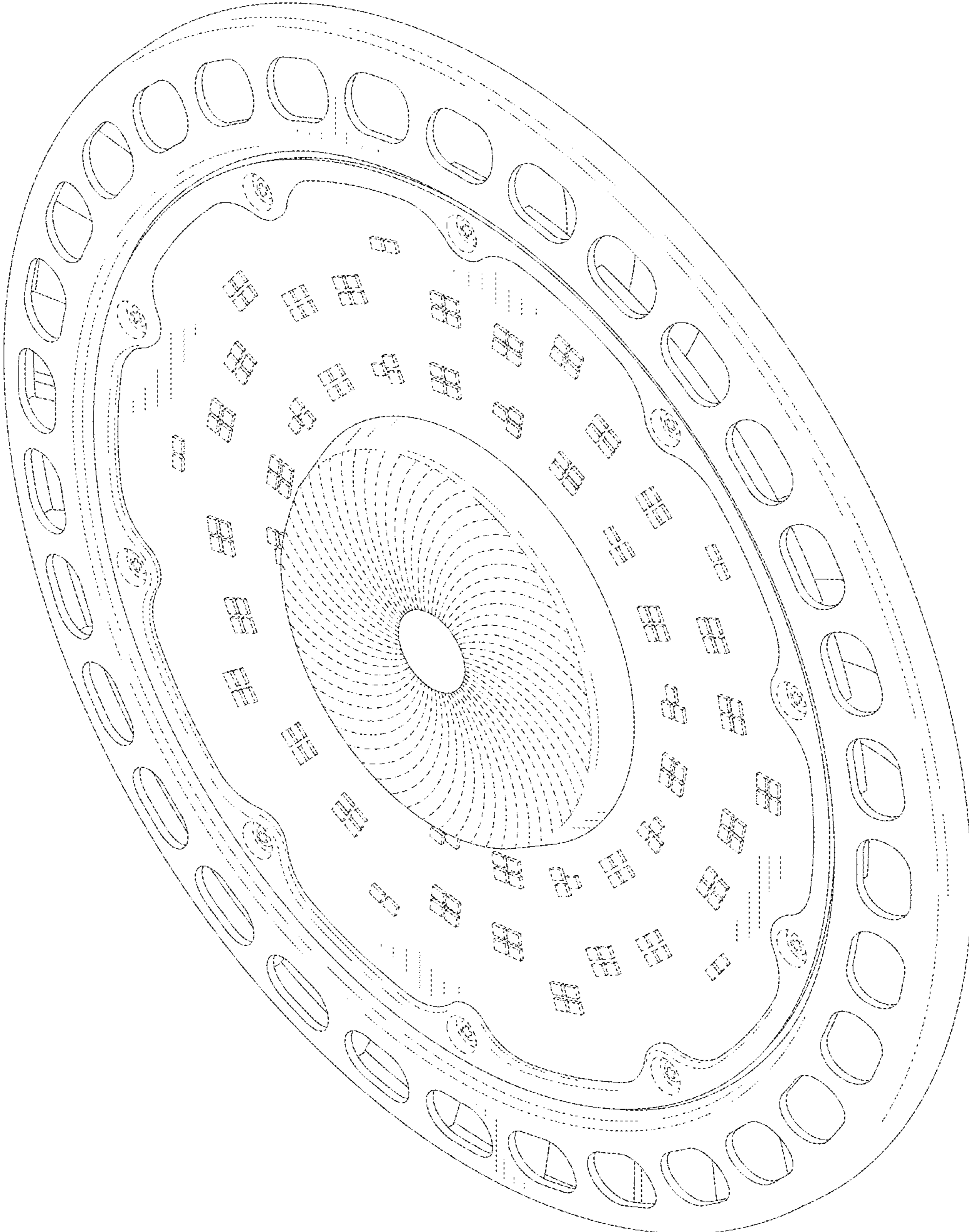


FIG.1

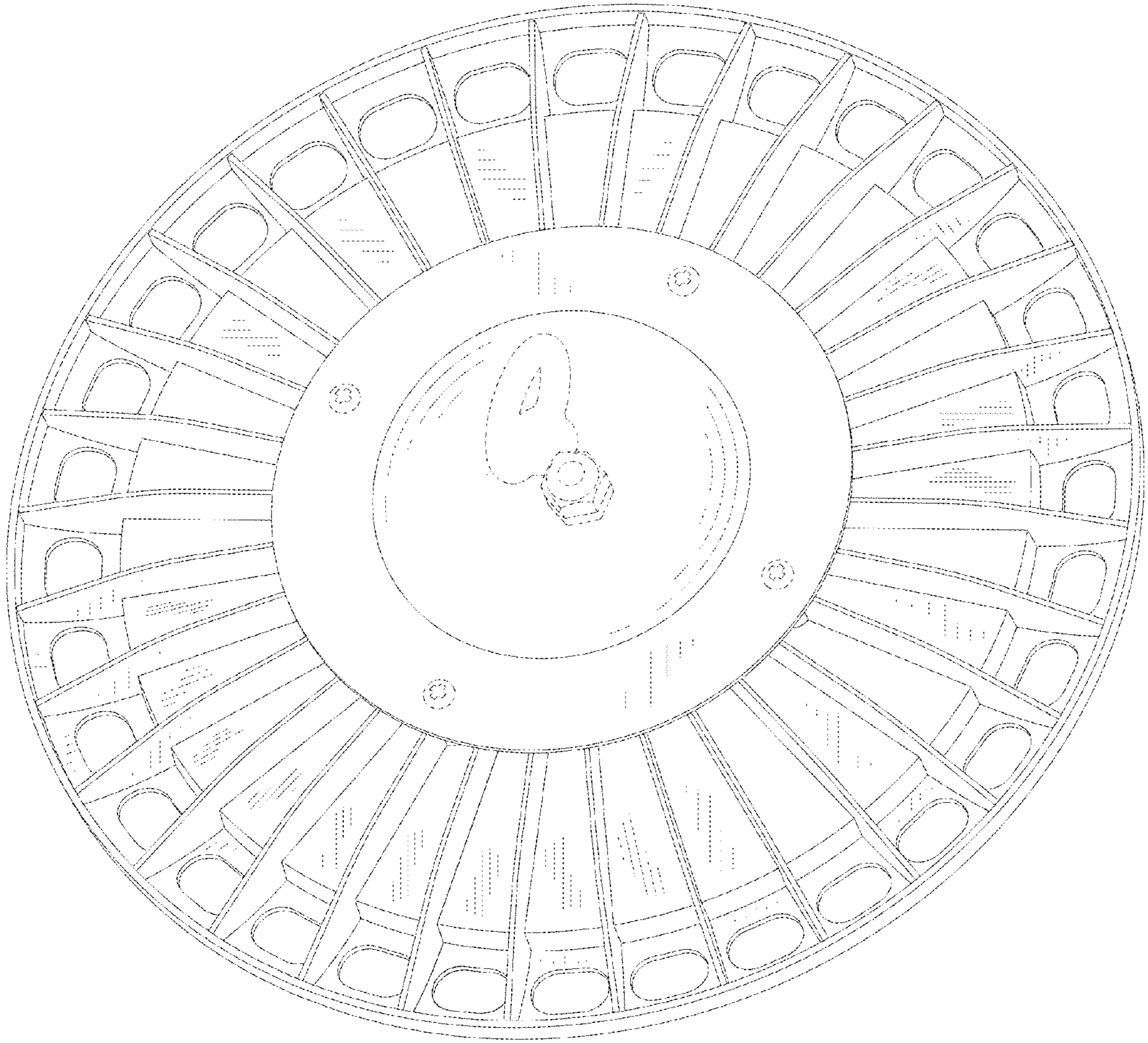


FIG.2

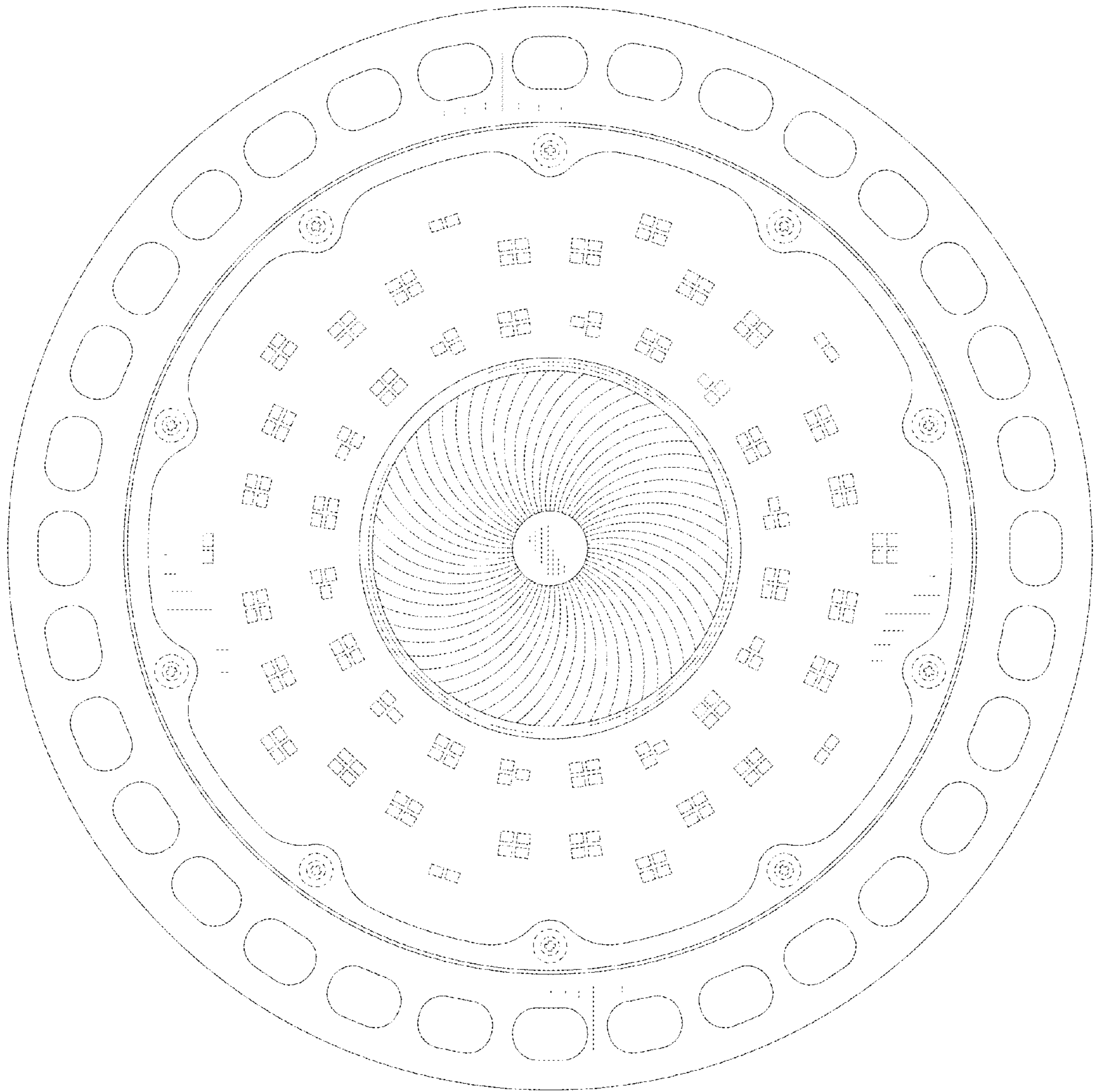


FIG.3

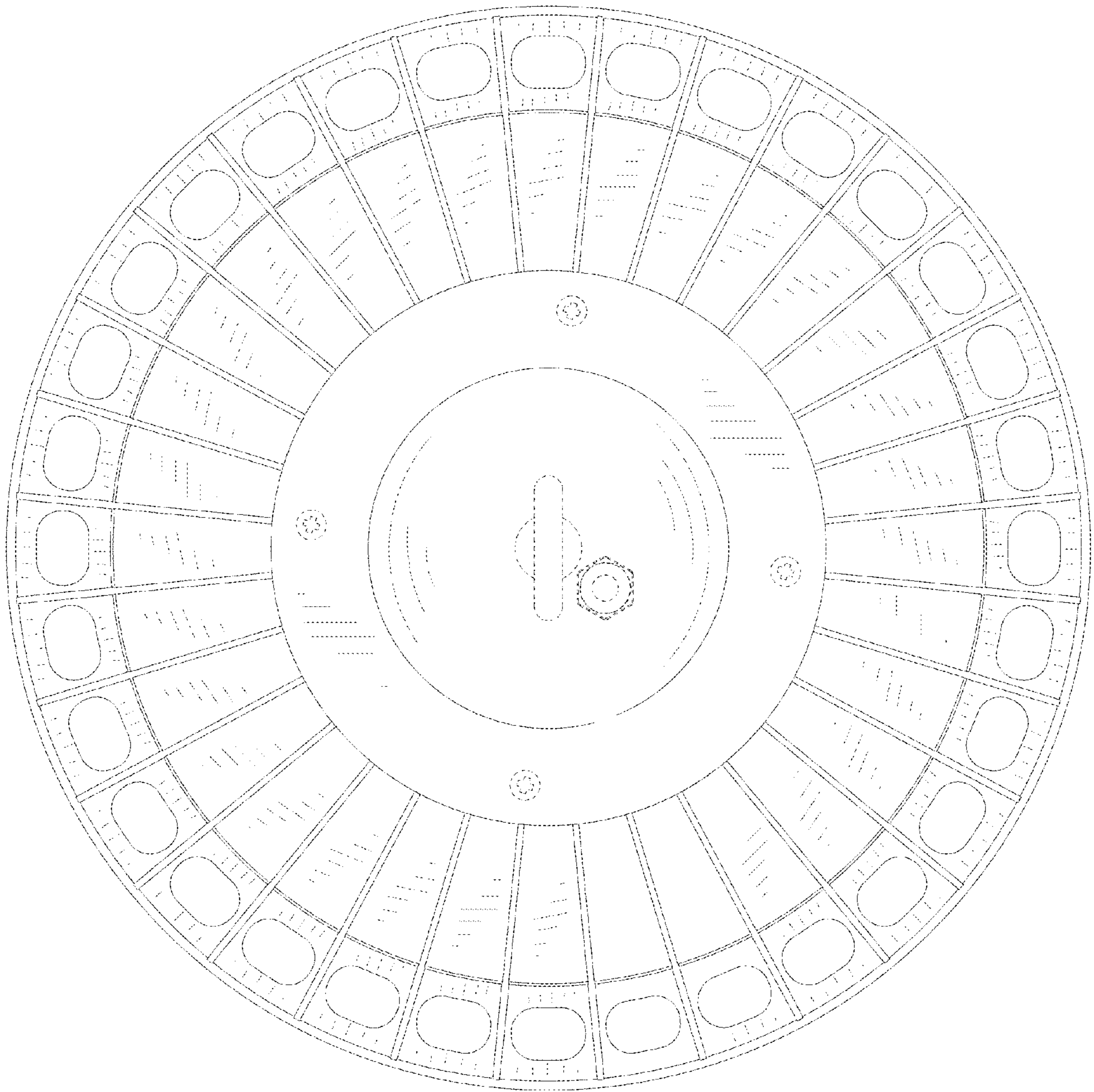


FIG. 4

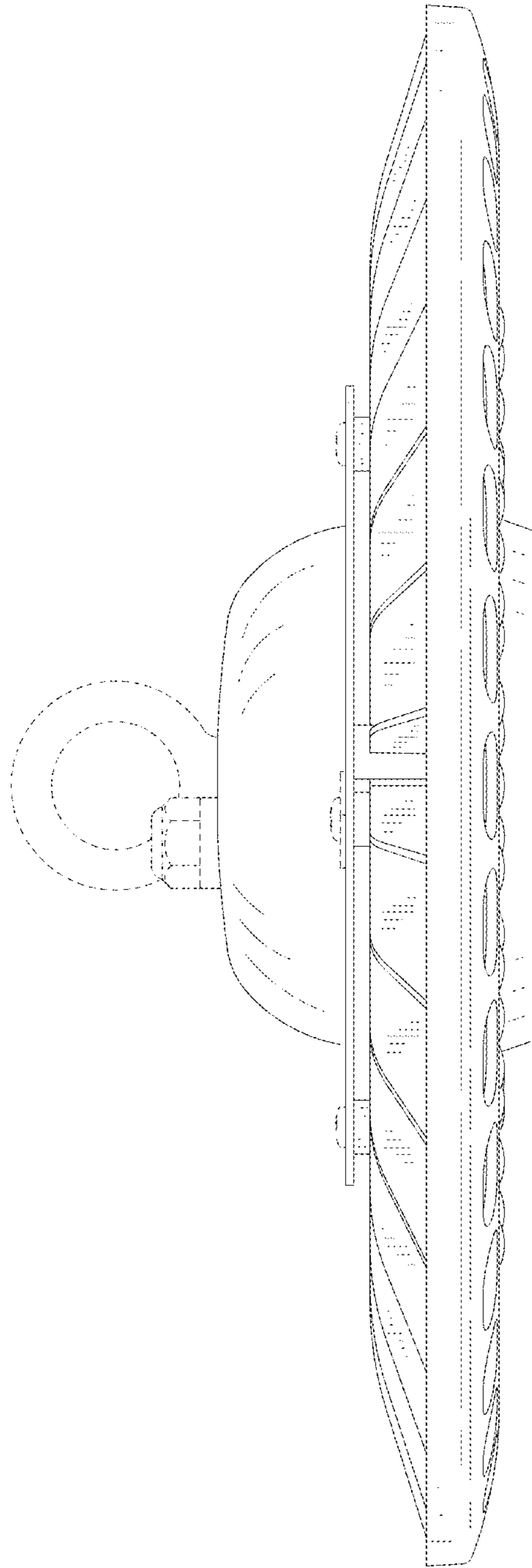


FIG. 5

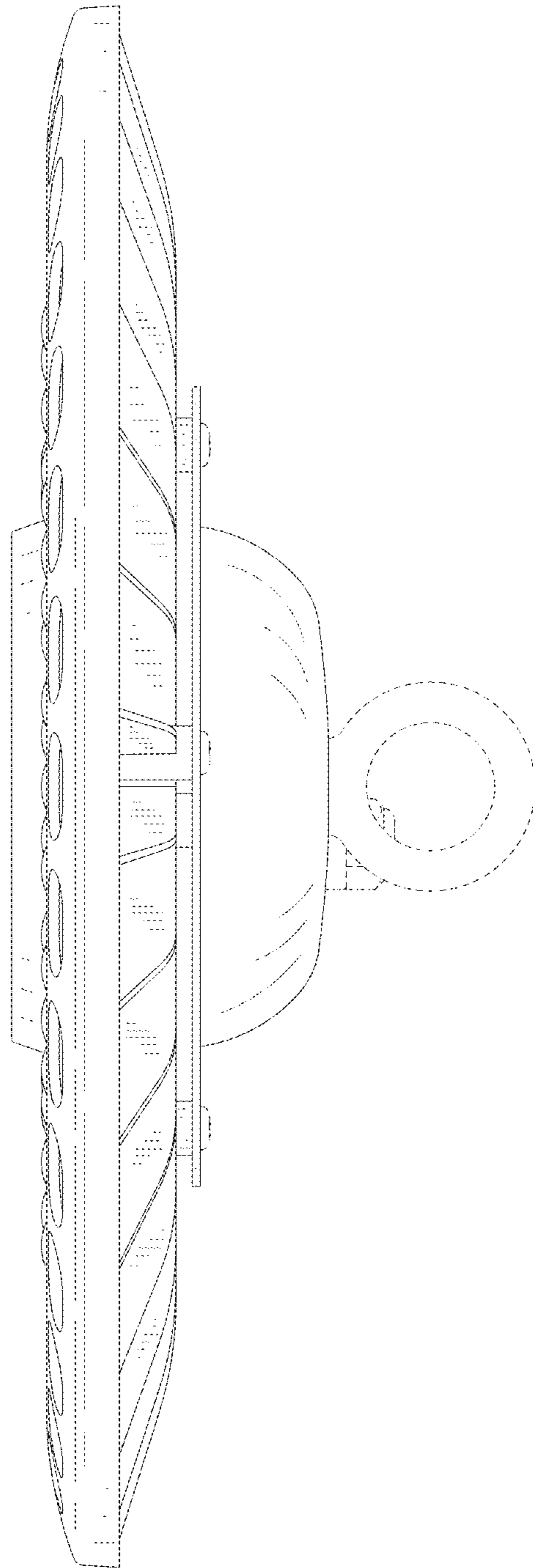


FIG. 6

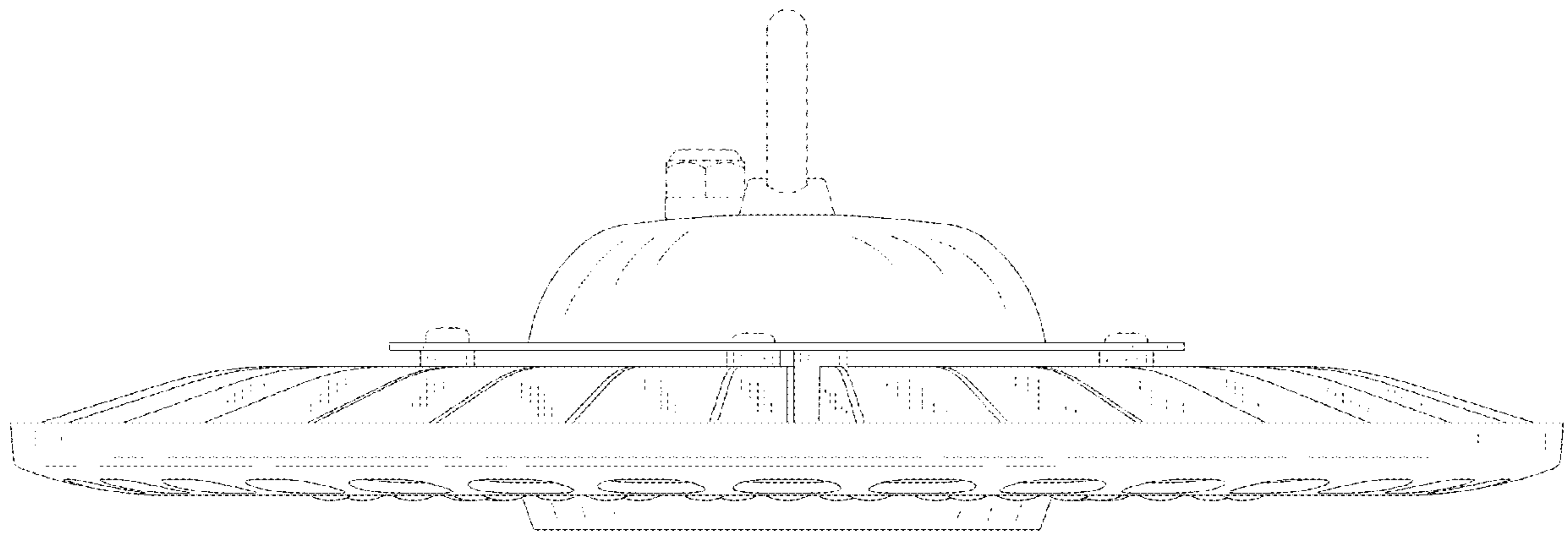


FIG. 7



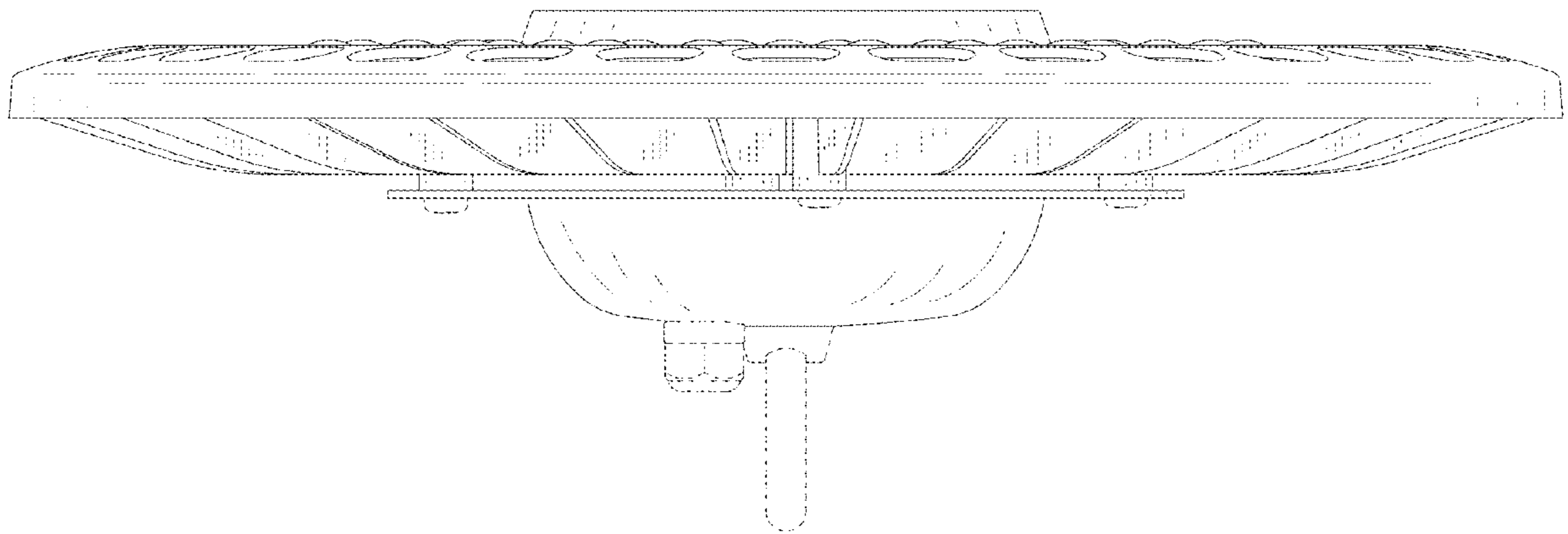


FIG. 8