



US00D955027S

(12) **United States Design Patent**
Lauck et al.

(10) **Patent No.:** **US D955,027 S**
(45) **Date of Patent:** **** Jun. 14, 2022**

(54) **LIGHT**

(57) **CLAIM**

(71) Applicant: **Lighting Solutions Group LLC**,
Columbus, OH (US)

The ornamental design for a light, as shown and described above.

(72) Inventors: **Gerald Lauck**, Columbus, OH (US);
Ricky Nathans, Columbus, OH (US)

DESCRIPTION

(73) Assignee: **Lighting Solutions Group LLC**,
Columbu, OH (US)

(**) Term: **15 Years**

(21) Appl. No.: **29/663,109**

(22) Filed: **Sep. 12, 2018**

(51) **LOC (13) Cl.** **26-04**

(52) **U.S. Cl.**
USPC **D26/76**

(58) **Field of Classification Search**
USPC D26/152, 141, 76, 72, 74, 85, 42, 58, 70
(Continued)

FIG. 1 is a front perspective view of a light of the present invention;

FIG. 2 is a front elevation view of the light shown in FIG. 1;

FIG. 3 is a rear elevation view of the light shown in FIG. 1;

FIG. 4 is a right-side view of the light shown in FIG. 1;

FIG. 5 is a left-side view of the light shown in FIG. 1;

FIG. 6 is a top view of the light shown in FIG. 1;

FIG. 7 is a bottom view of the light shown in FIG. 1;

FIG. 8 is a top perspective view of the light shown in FIG. 1;

FIG. 9 is a front perspective view of a second exemplary light of the present invention;

FIG. 10 is a front elevation view of the light shown in FIG. 9;

FIG. 11 is a rear elevation view of the light shown in FIG. 9;

FIG. 12 is a right-side view of the light shown in FIG. 9;

FIG. 13 is a left-side view of the light shown in FIG. 9;

FIG. 14 is a top view of the light shown in FIG. 9;

FIG. 15 is a bottom view of the light shown in FIG. 9;

FIG. 16 is a top perspective view of the light shown in FIG. 9;

FIG. 17 is a front perspective view of a third exemplary light of the present invention;

FIG. 18 is a front elevation view of the light shown in FIG. 17;

FIG. 19 is a rear elevation view of the light shown in FIG. 17;

FIG. 20 is a right-side view of the light shown in FIG. 17;

FIG. 21 is a left-side view of the light shown in FIG. 17;

FIG. 22 is a top view of the light shown in FIG. 17;

FIG. 23 is a bottom view of the light shown in FIG. 17; and,

FIG. 24 is a top perspective view of the light shown in FIG. 17.

(56) **References Cited**

U.S. PATENT DOCUMENTS

D147,812 S * 11/1947 Picker D26/78

D162,278 S 3/1951 Ainsworth

(Continued)

FOREIGN PATENT DOCUMENTS

CN 108644663 A 10/2018

JP 2003059330 A 2/2003

OTHER PUBLICATIONS

Acculamp, <http://acculampd lamps.com>, Jan. 17, 2012.

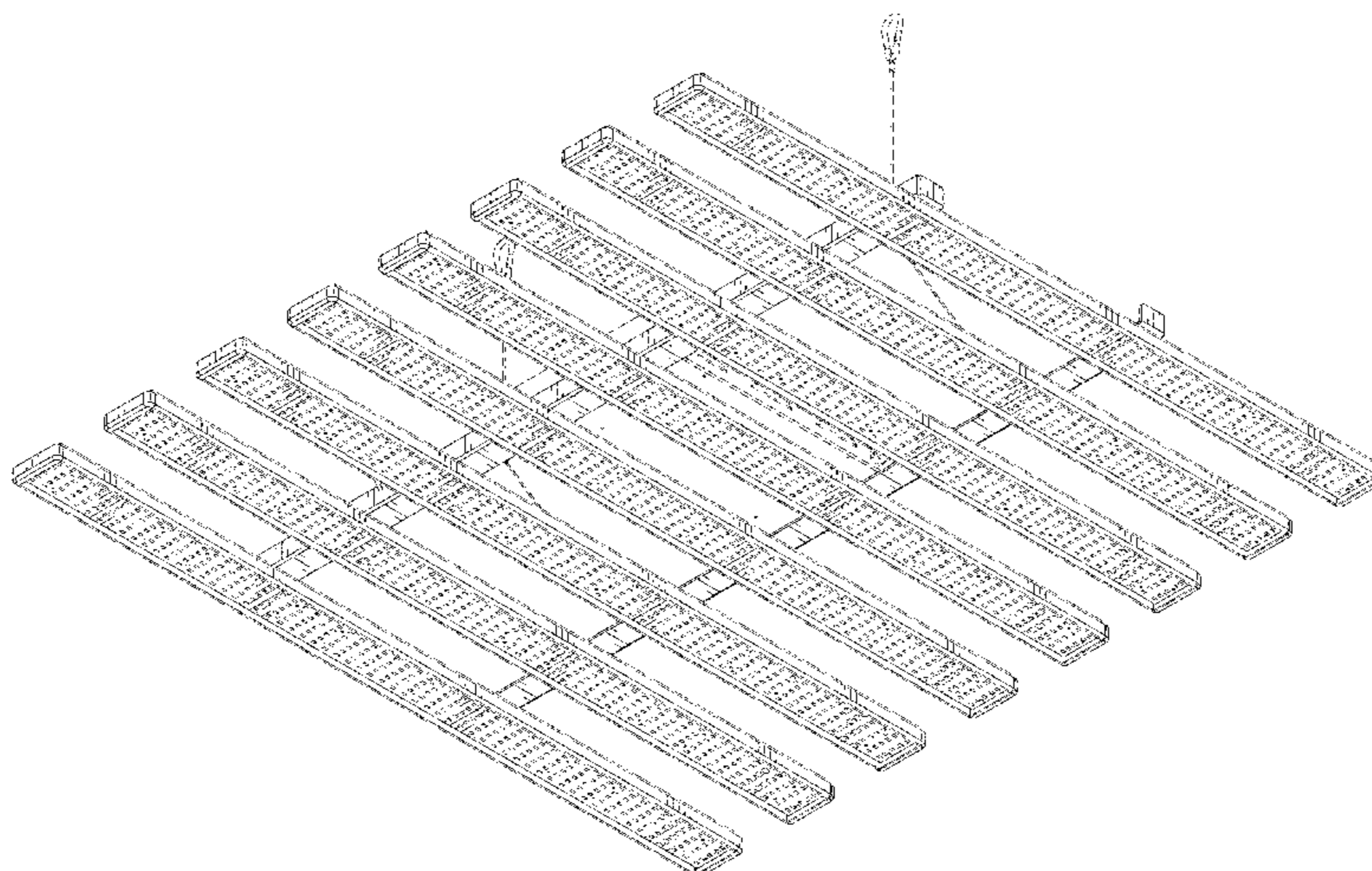
(Continued)

Primary Examiner — Mark A Goodwin

Assistant Examiner — Benjamin M Weeks

(74) *Attorney, Agent, or Firm* — Standley Law Group
LLP; Beverly A. Marsh; Adam J. Smith

(Continued)



The broken lines are for illustration only and form no part of the claimed design.

1 Claim, 24 Drawing Sheets

(58) **Field of Classification Search**

CPC F21S 4/00; F21S 4/003; F21S 4/005; F21S 4/006; F21S 4/007; F21S 4/008

See application file for complete search history.

(56) **References Cited**

U.S. PATENT DOCUMENTS

D199,631 S	11/1964	Petersen	
3,270,192 A	8/1966	Watson	
D206,392 S	12/1966	Winslow	
D226,534 S	3/1973	Anderson	
D282,972 S	3/1986	Castor et al.	
D342,801 S	12/1993	Poon	
D403,787 S	1/1999	Van Belle	
D441,891 S	5/2001	Herst et al.	
D452,904 S	1/2002	Peng	
D452,906 S	1/2002	Peng	
D496,749 S	9/2004	Kuebler	
D533,956 S	12/2006	Vladika	
D547,481 S	7/2007	Tseng	
D569,492 S	5/2008	Zakula et al.	
D585,975 S	2/2009	Guthrie	
D635,238 S	3/2011	Zakula et al.	
D642,316 S	7/2011	Zheng et al.	
D646,428 S	10/2011	Gordin et al.	
D648,472 S	11/2011	Lin et al.	
D650,513 S	12/2011	Blincoe et al.	
D651,735 S	1/2012	Dai	
D653,791 S	2/2012	Toyohisa et al.	
D658,805 S	5/2012	Orrom et al.	
D667,162 S	9/2012	Choi et al.	
D673,320 S	12/2012	Guercio et al.	
D674,951 S *	1/2013	Sonneman	D26/80
D679,046 S	3/2013	Hoshino et al.	
D688,408 S	8/2013	Wung et al.	
D690,450 S	9/2013	Guercio et al.	
D690,453 S	9/2013	Guercio et al.	
D696,811 S	12/2013	Mollaghaffari	
8,764,243 B2	7/2014	Zimmer et al.	
D739,587 S	9/2015	Largent	
D748,840 S	2/2016	Lee	
D752,202 S	3/2016	Berkman et al.	
D754,320 S	4/2016	Park et al.	
D754,321 S	4/2016	Park et al.	
D754,836 S	4/2016	Park et al.	
D767,191 S	9/2016	DeMaio et al.	
D780,357 S	2/2017	Kleigl	
9,609,407 B2	3/2017	Berkman et al.	
D784,597 S	4/2017	Wilson	
D788,357 S	5/2017	Dodge et al.	
D789,585 S	6/2017	Ye	

D795,488 S	8/2017	Holscher et al.	
D795,492 S	8/2017	Kim et al.	
D796,728 S	9/2017	Reynolds	
D809,701 S *	2/2018	Tweel	D26/118
D817,534 S	5/2018	Noh et al.	
D822,886 S *	7/2018	Tweel	D26/118
D861,960 S	10/2019	Ng et al.	
D863,656 S *	10/2019	Klase	D26/113
D876,700 S	2/2020	Patterson et al.	
D878,659 S	3/2020	Sun	
D881,439 S	4/2020	Schwartz	
D881,440 S *	4/2020	Zhu	D26/76
D889,723 S	7/2020	Lau	
D910,898 S *	2/2021	Chen	D26/76
D923,850 S *	6/2021	Liu	D26/76
D928,381 S *	8/2021	Xia	D26/76
2008/0310162 A1	12/2008	Thomas et al.	
2009/0039752 A1	2/2009	Rooymans	
2009/0251057 A1	10/2009	Son et al.	
2010/0142202 A1	6/2010	Sugishita et al.	
2010/0208461 A1	8/2010	Xiang et al.	
2010/0327746 A1	12/2010	Hisayasu	
2011/0002124 A1	1/2011	Chang et al.	
2011/0310600 A1	12/2011	Lehman et al.	
2012/0140474 A1	6/2012	Jurik et al.	
2012/0162986 A1	6/2012	Mekhtarian	
2013/0265752 A1	10/2013	Shimizu	
2013/0322074 A1	12/2013	Guercio et al.	
2014/0021884 A1	1/2014	Fetterly et al.	
2014/0029260 A1	1/2014	Liu	
2014/0043802 A1	2/2014	Dings et al.	
2014/0078756 A1	3/2014	Tuttle	
2014/0085880 A1	3/2014	Toyohisa et al.	
2014/0199168 A1	7/2014	Spiro	
2014/0334149 A1	11/2014	Nolan et al.	
2015/0167922 A1	6/2015	Casper et al.	
2015/0176823 A1	6/2015	Leshniak et al.	
2016/0369995 A1	12/2016	Jang et al.	
2017/0146225 A1	5/2017	Chien et al.	
2018/0084733 A1	3/2018	Adams et al.	
2019/0056073 A1 *	2/2019	Ulloa	F21S 8/026
2020/0053967 A1 *	2/2020	Murphy	F21S 2/005

OTHER PUBLICATIONS

Dimmable LED Festoon Bulb—12 Volt, <http://www.1000bulbs.com/product/64655/LED-SYM1250.html>, Jan. 17, 2012.

Lite line illuminations, Sen 15—950+ Lumen LED Recessed Light, http://webcache.googleusercontent.com/search?q=cache:6PSYpT9godgJ:halogenlighting.com/sen15-led_html+%22specification+grade+led%22&cd=3&hl=en&ct=clnk&gl=us&source=www.google.com, May 10, 2011.

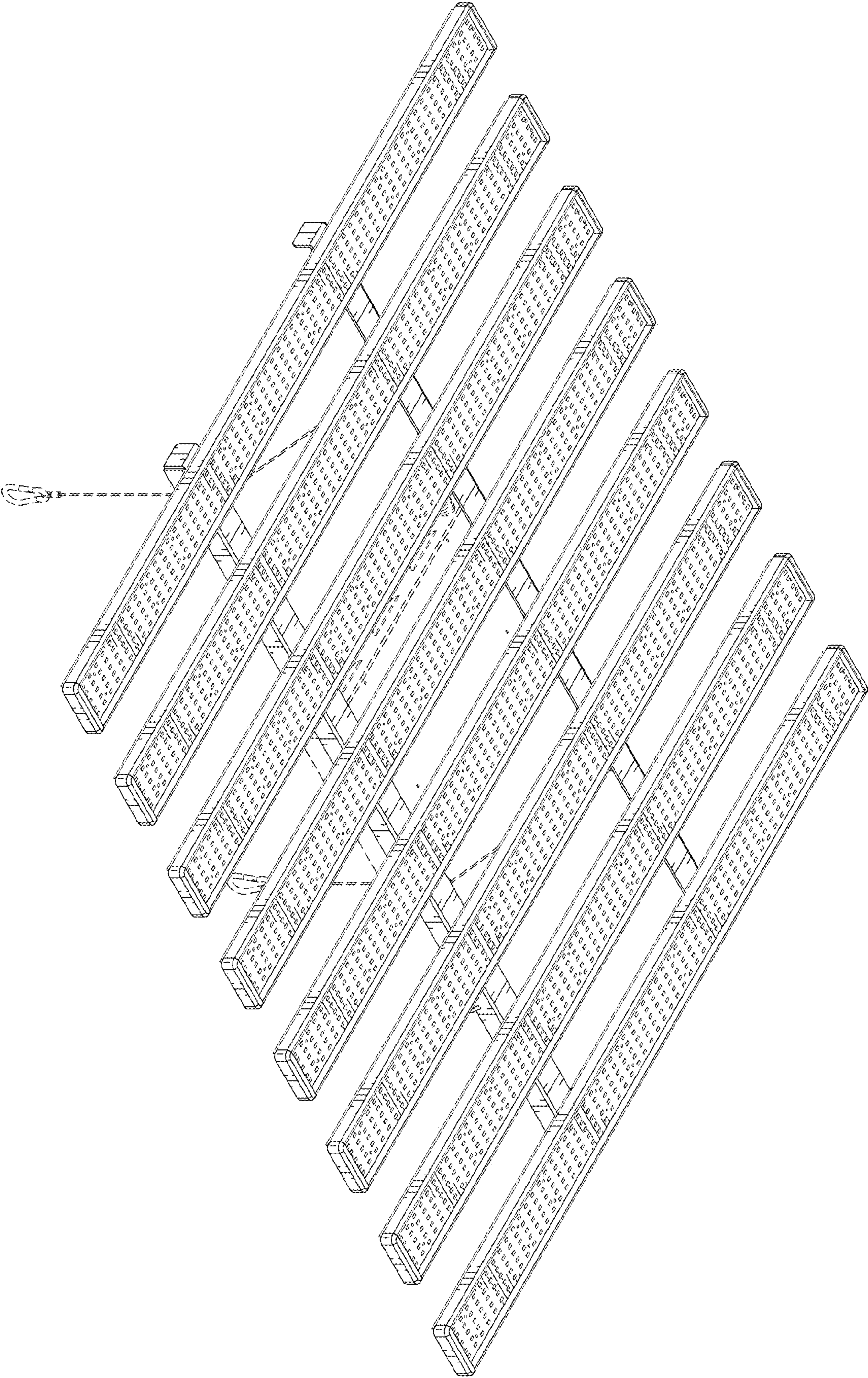
North Star Lighting, Inc., <http://www.northstarlightingsite.com/categories.php?category=LED/Round-Flood>, Jan. 17, 2012.

Prescolite, LED downlights from Prescolite make the grade, <http://www.ledsmagazine.com/features/3/12/9>, Dec. 2006.

U.S. Department of Energy, Thermal Management of White LEDs, Feb. 2007.

* cited by examiner

FIG. 1



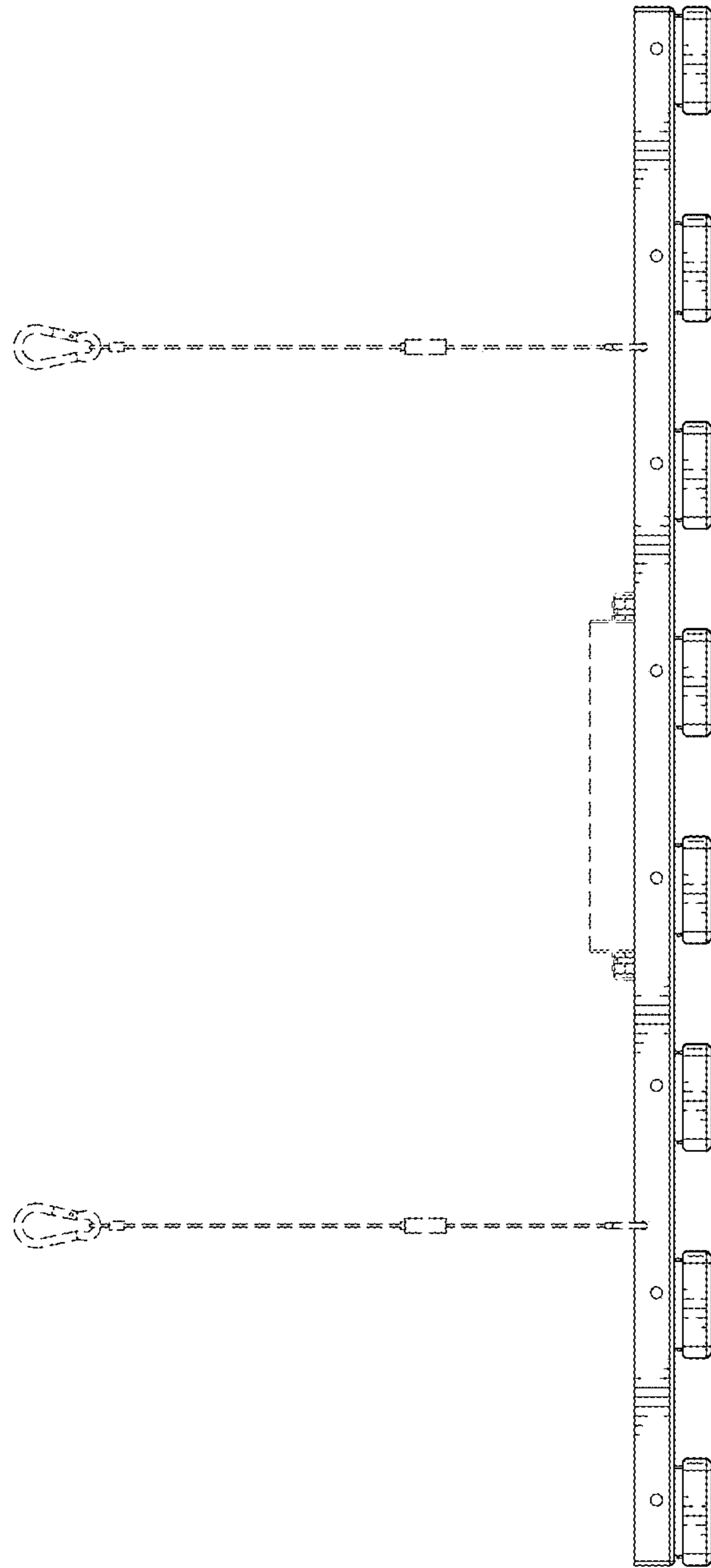


FIG. 2

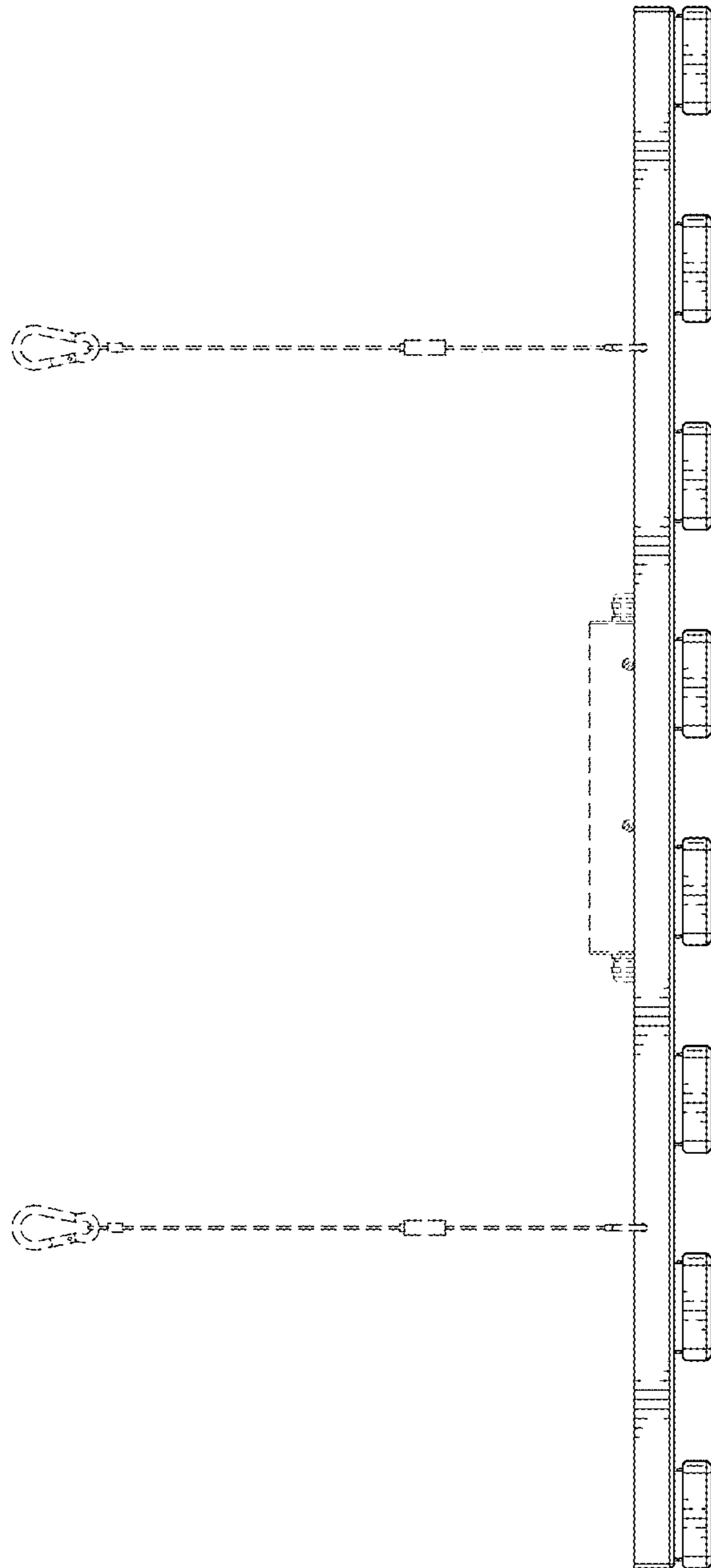


FIG. 3

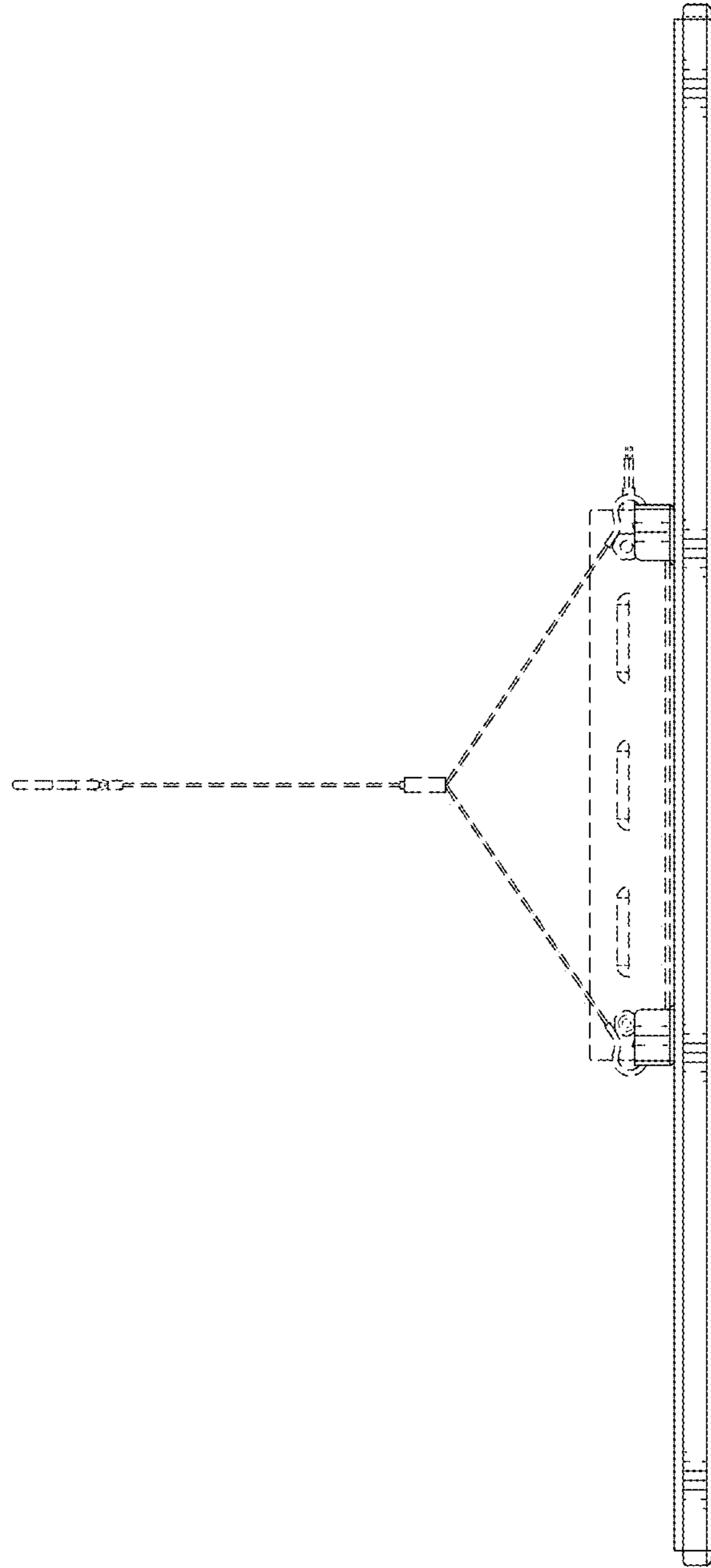


FIG. 4

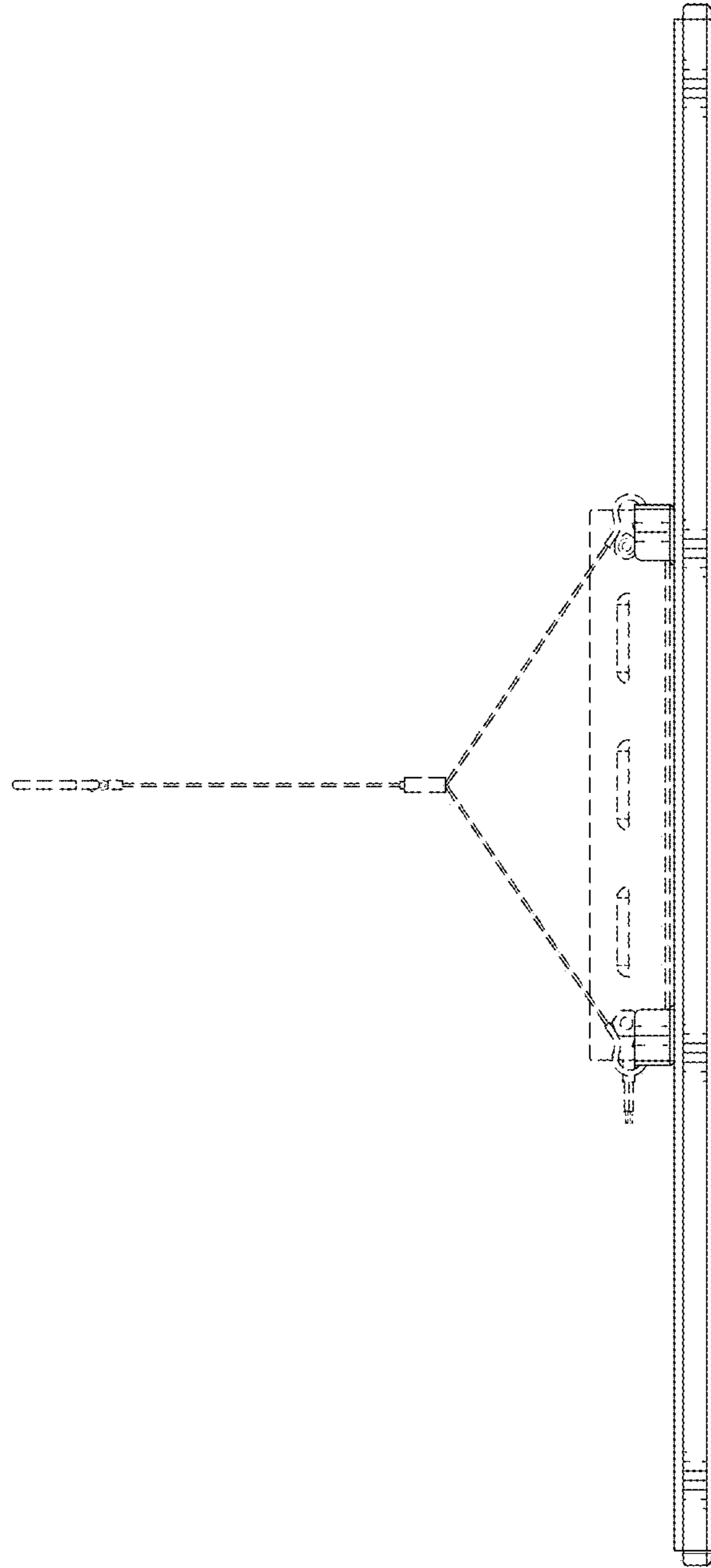


FIG. 5

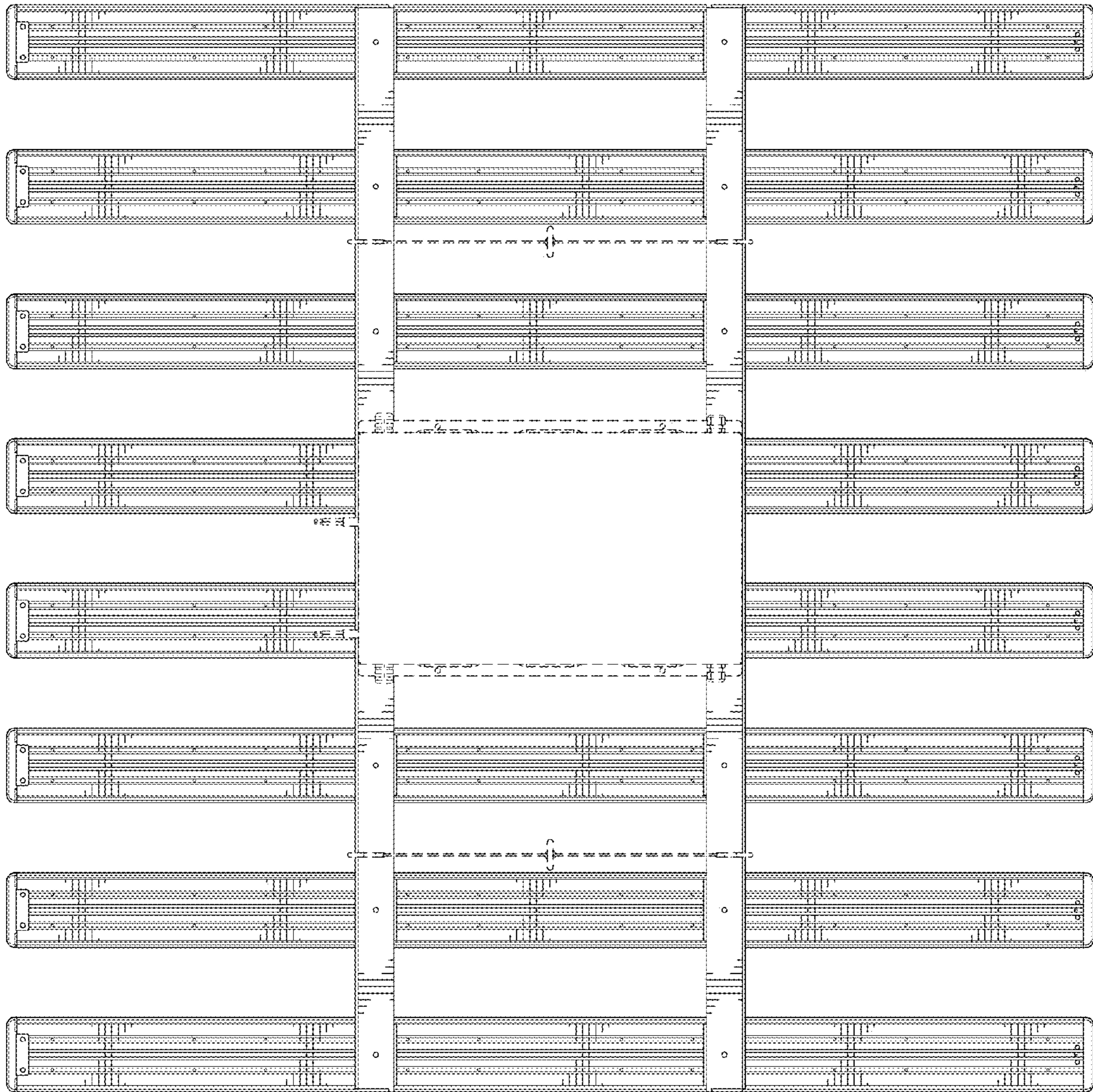


FIG. 6

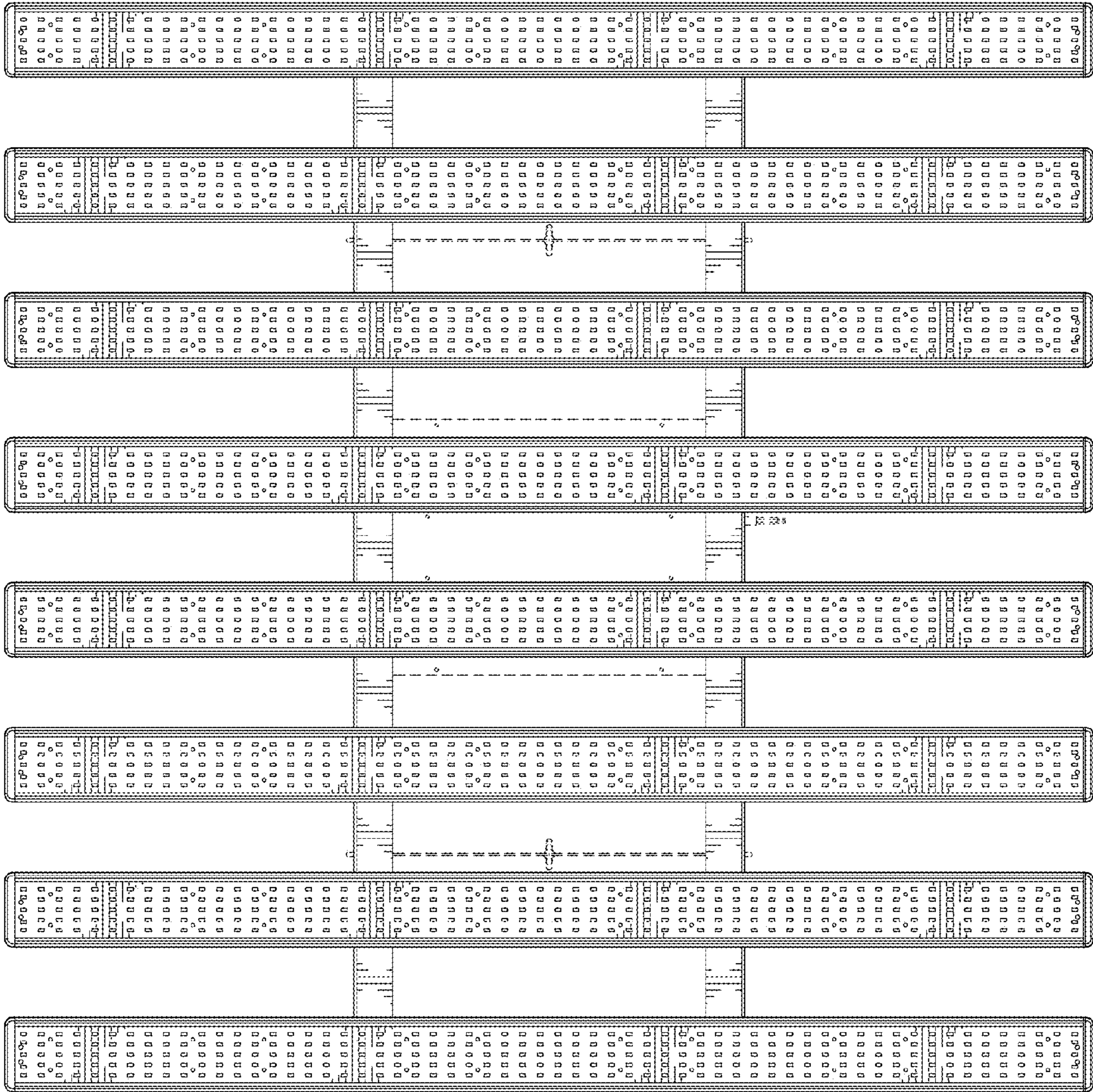
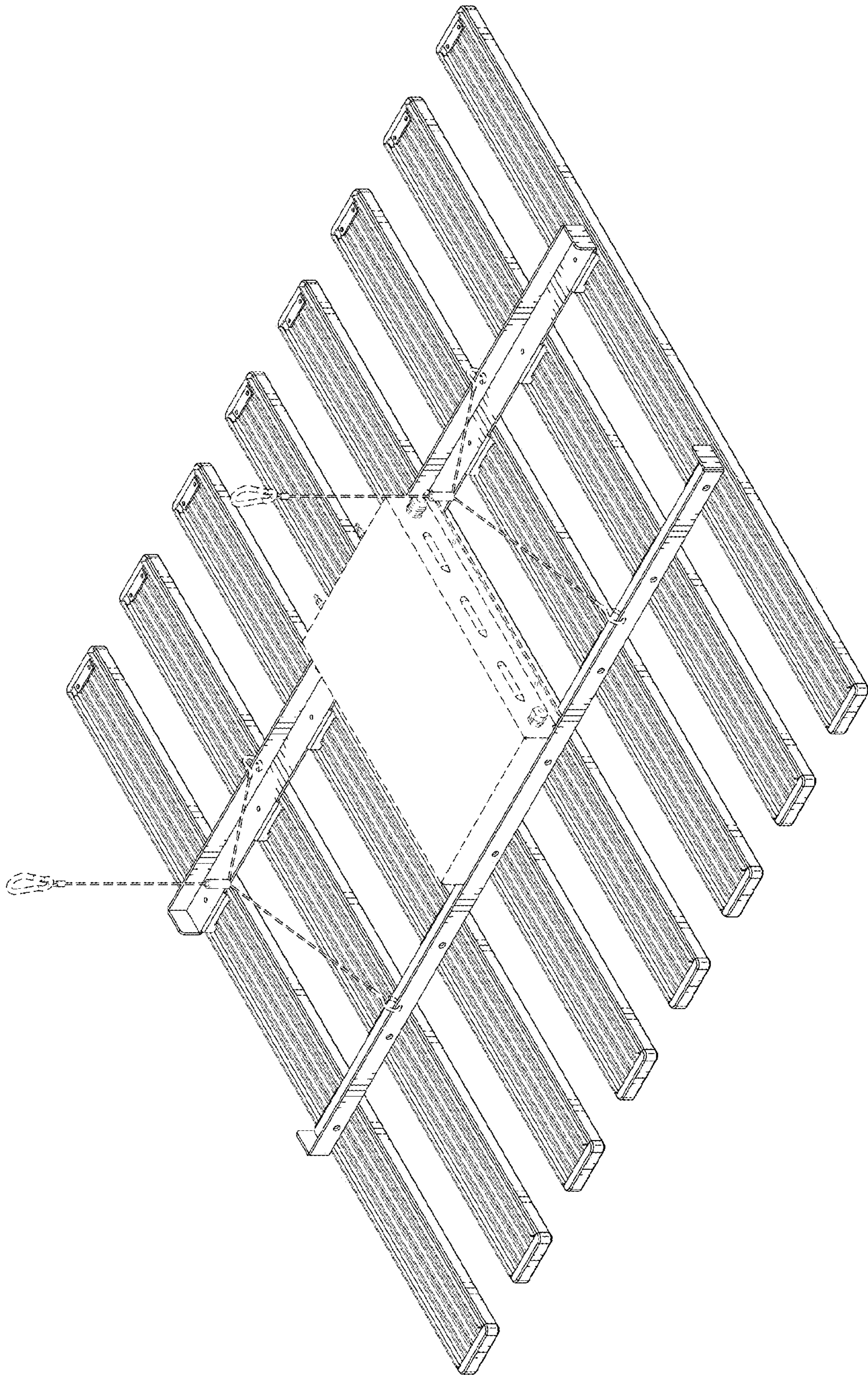


FIG. 7

FIG. 8



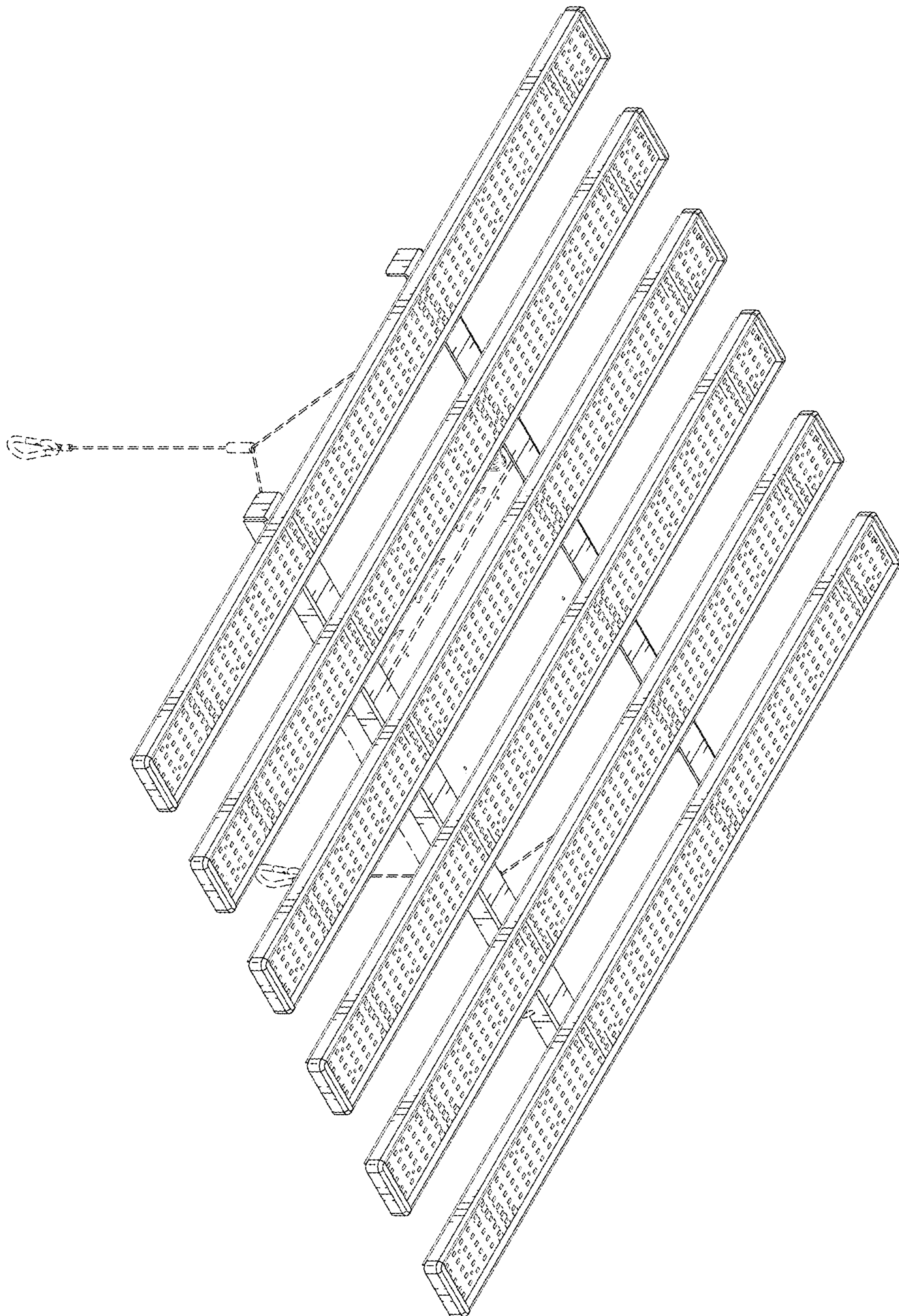


FIG. 9

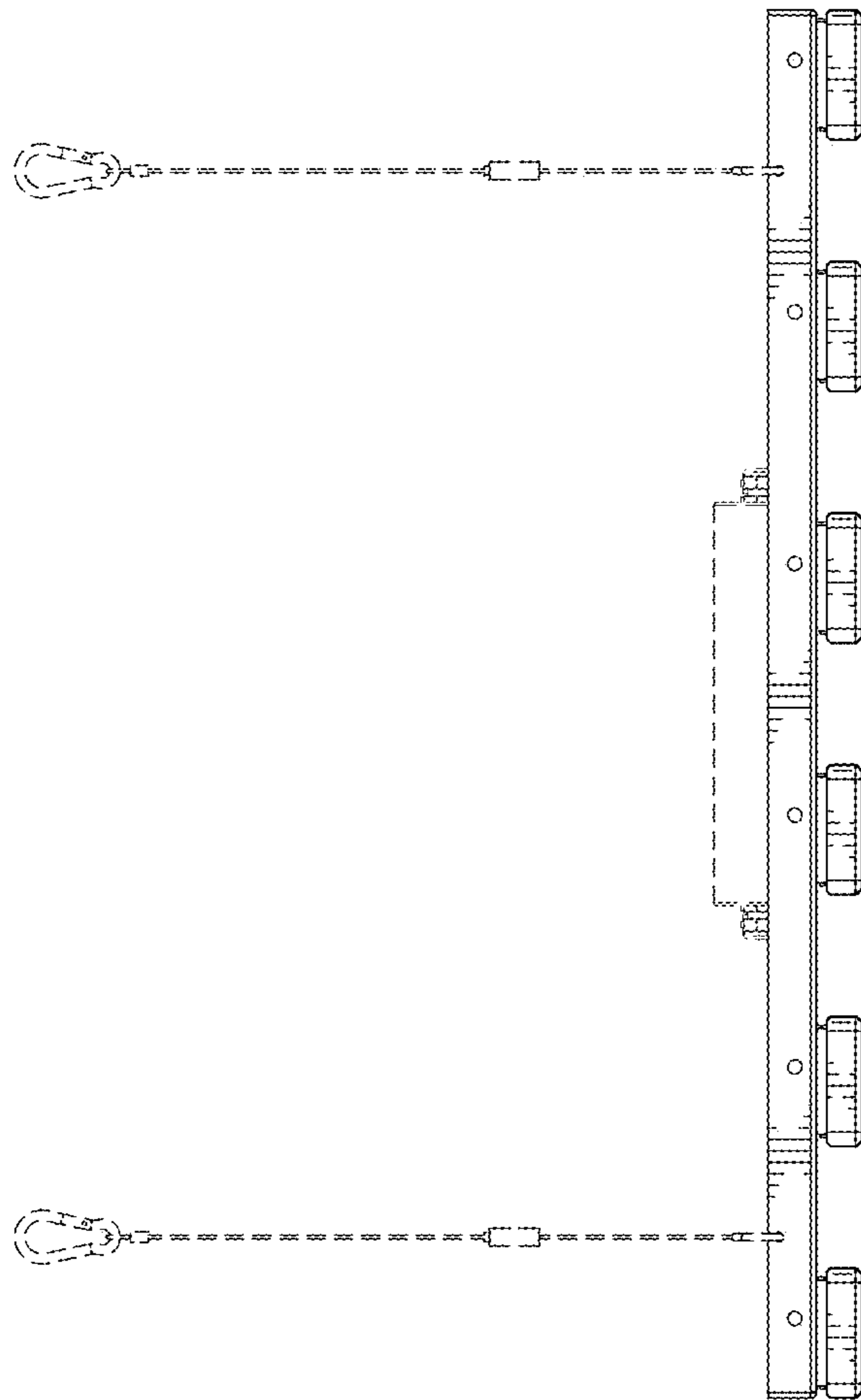


FIG. 10

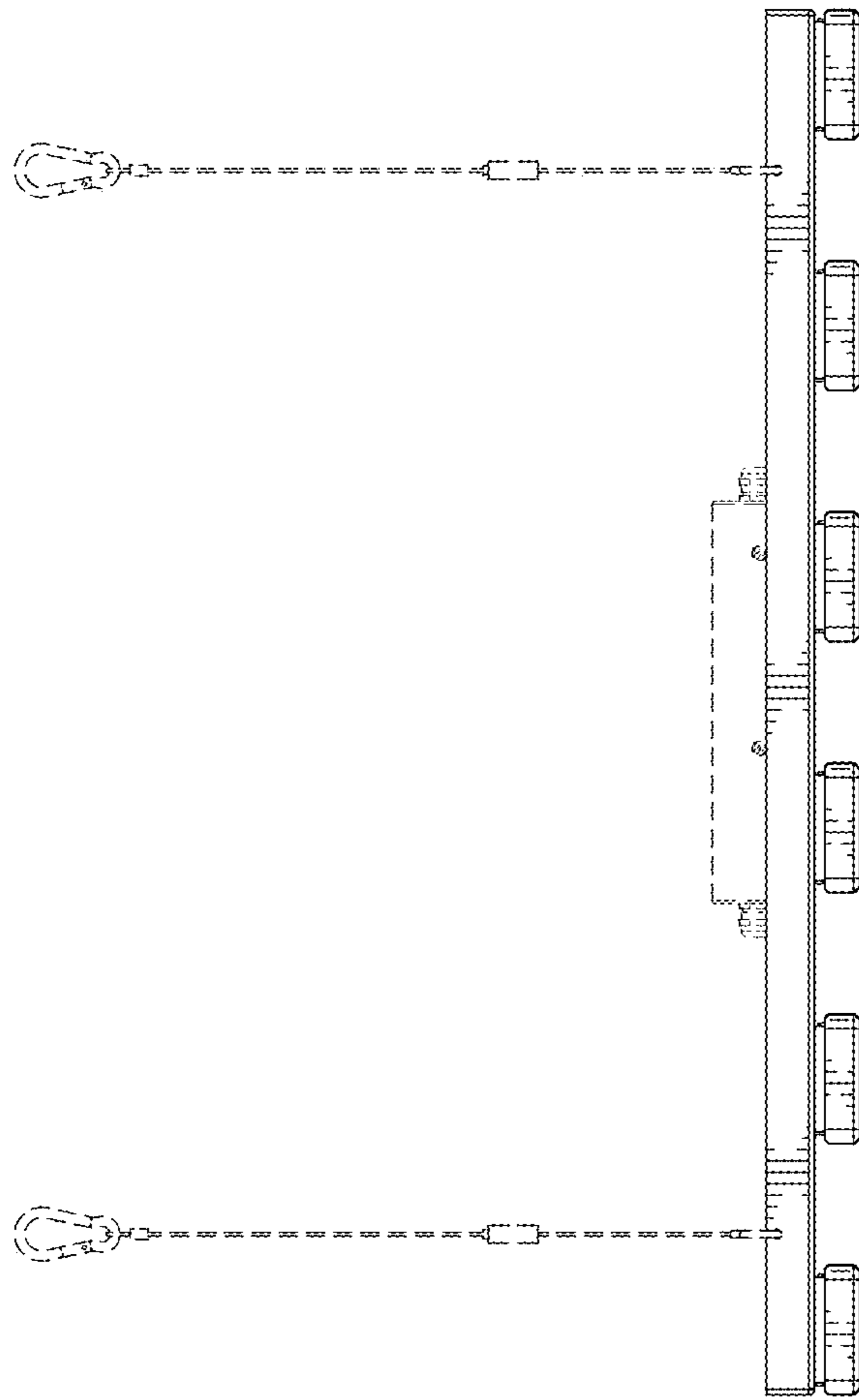


FIG. 11

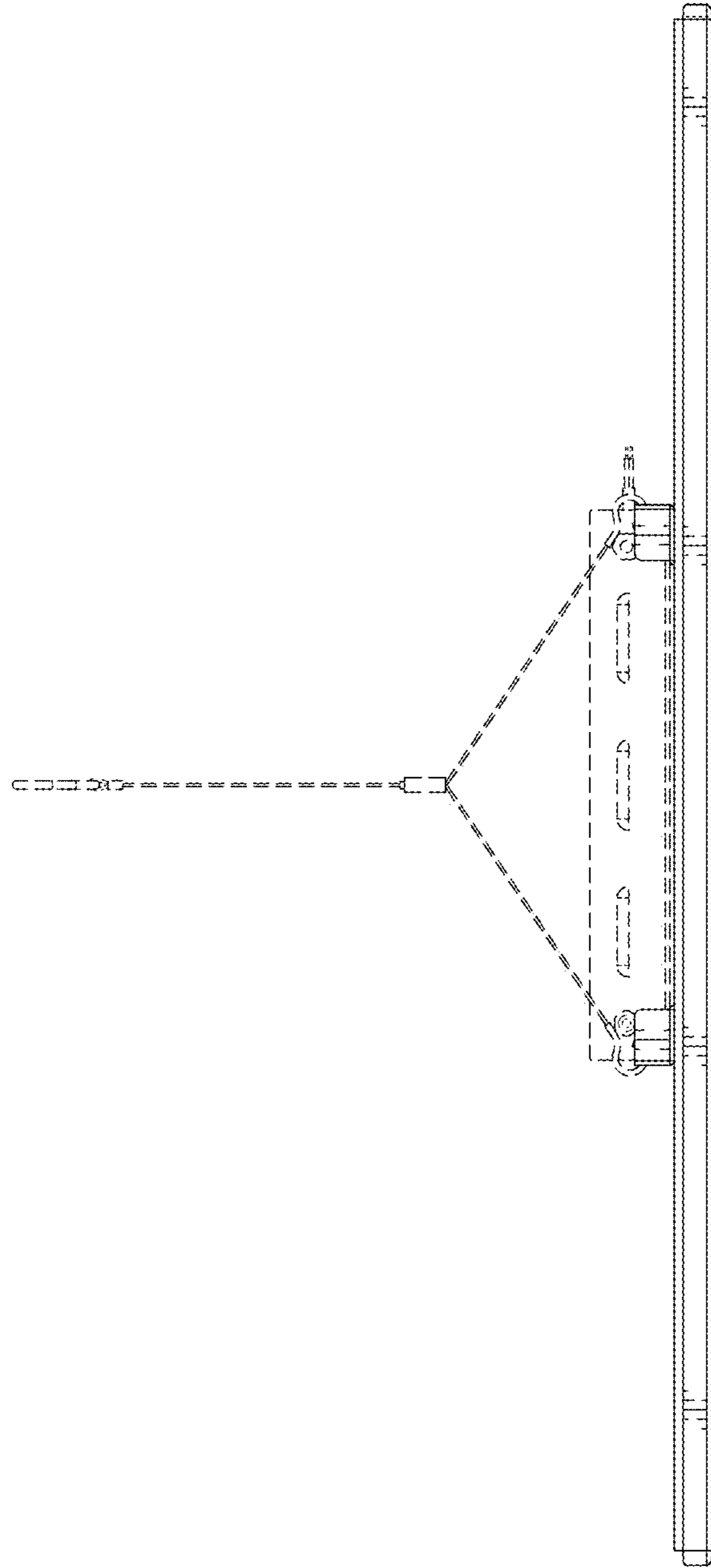


FIG. 12

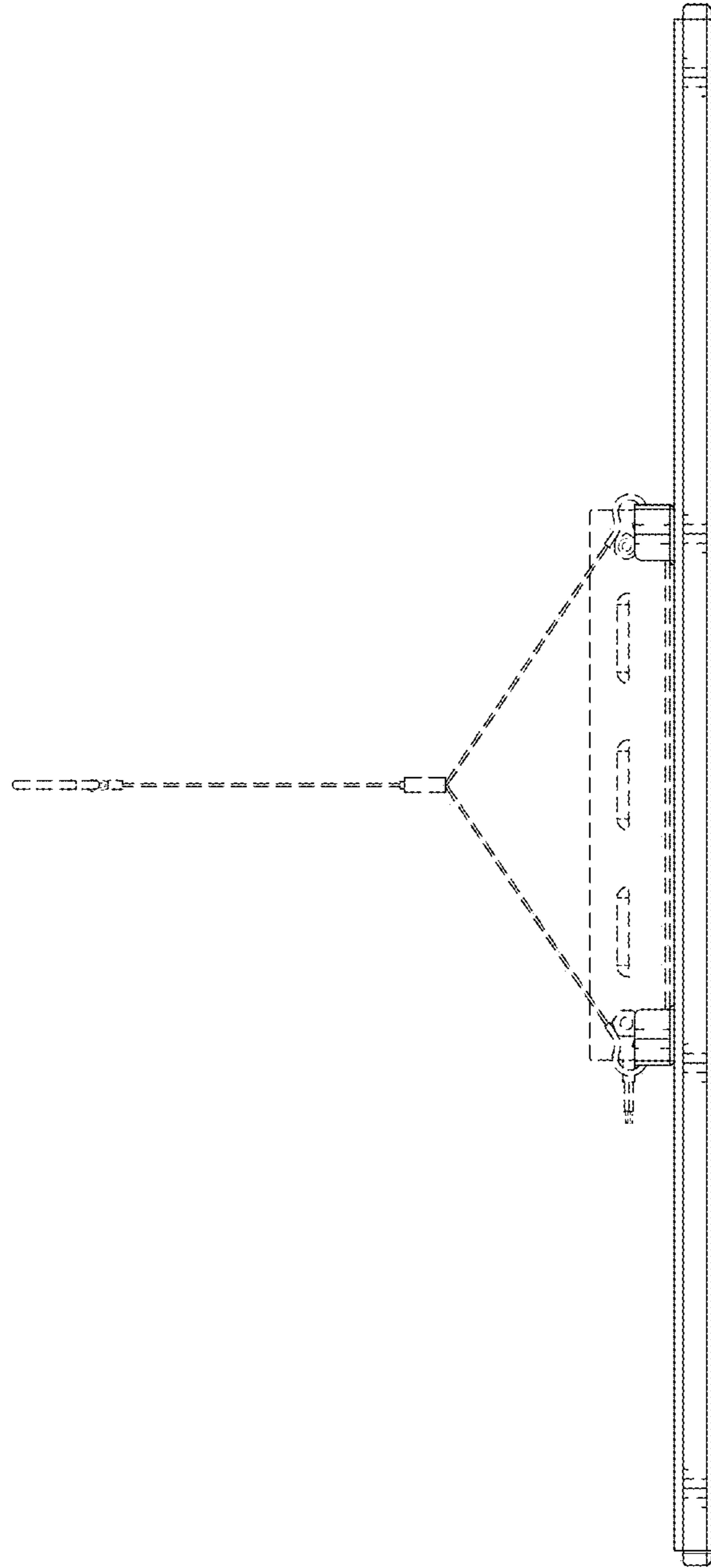


FIG. 13

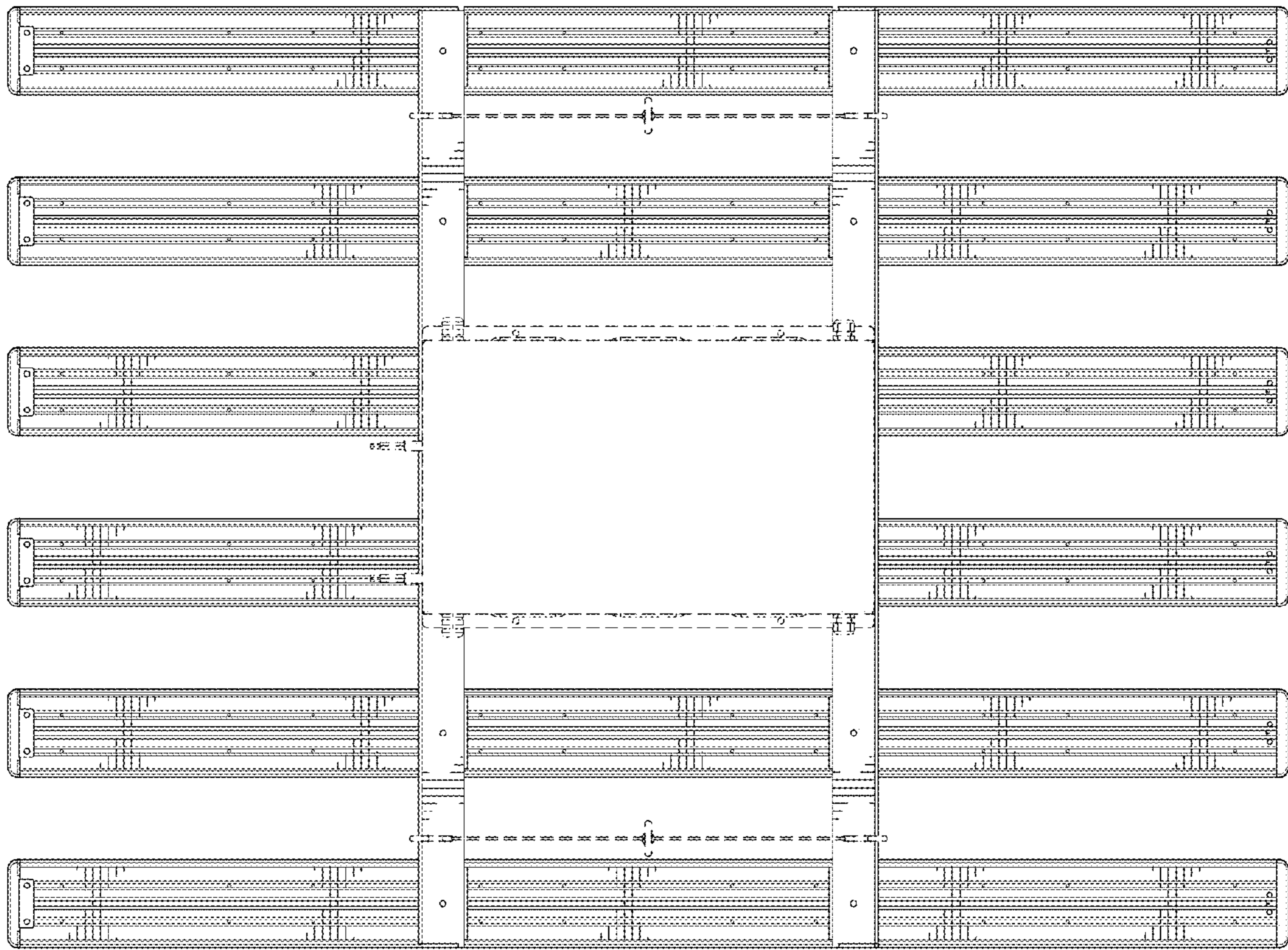


FIG. 14

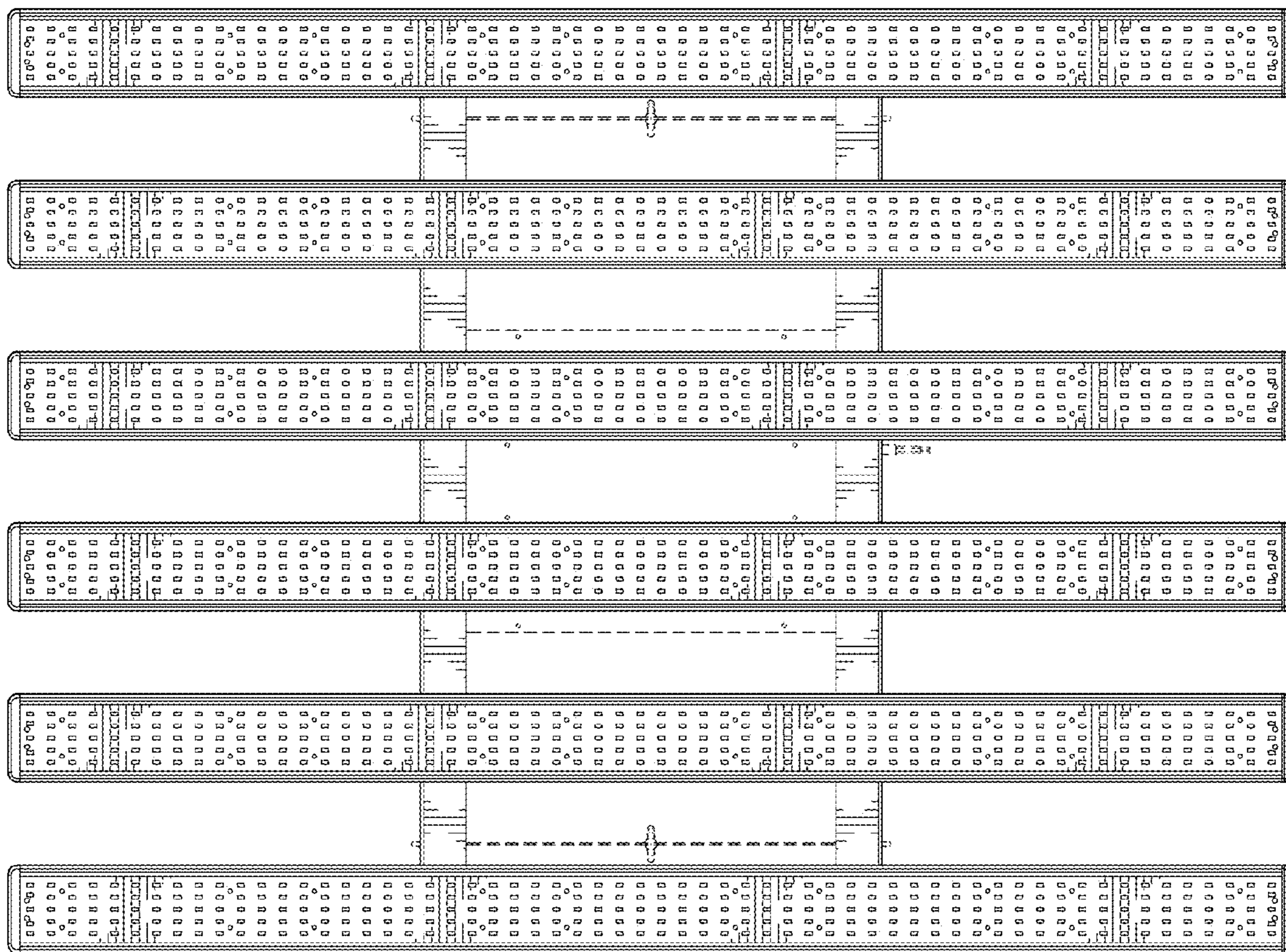


FIG. 15

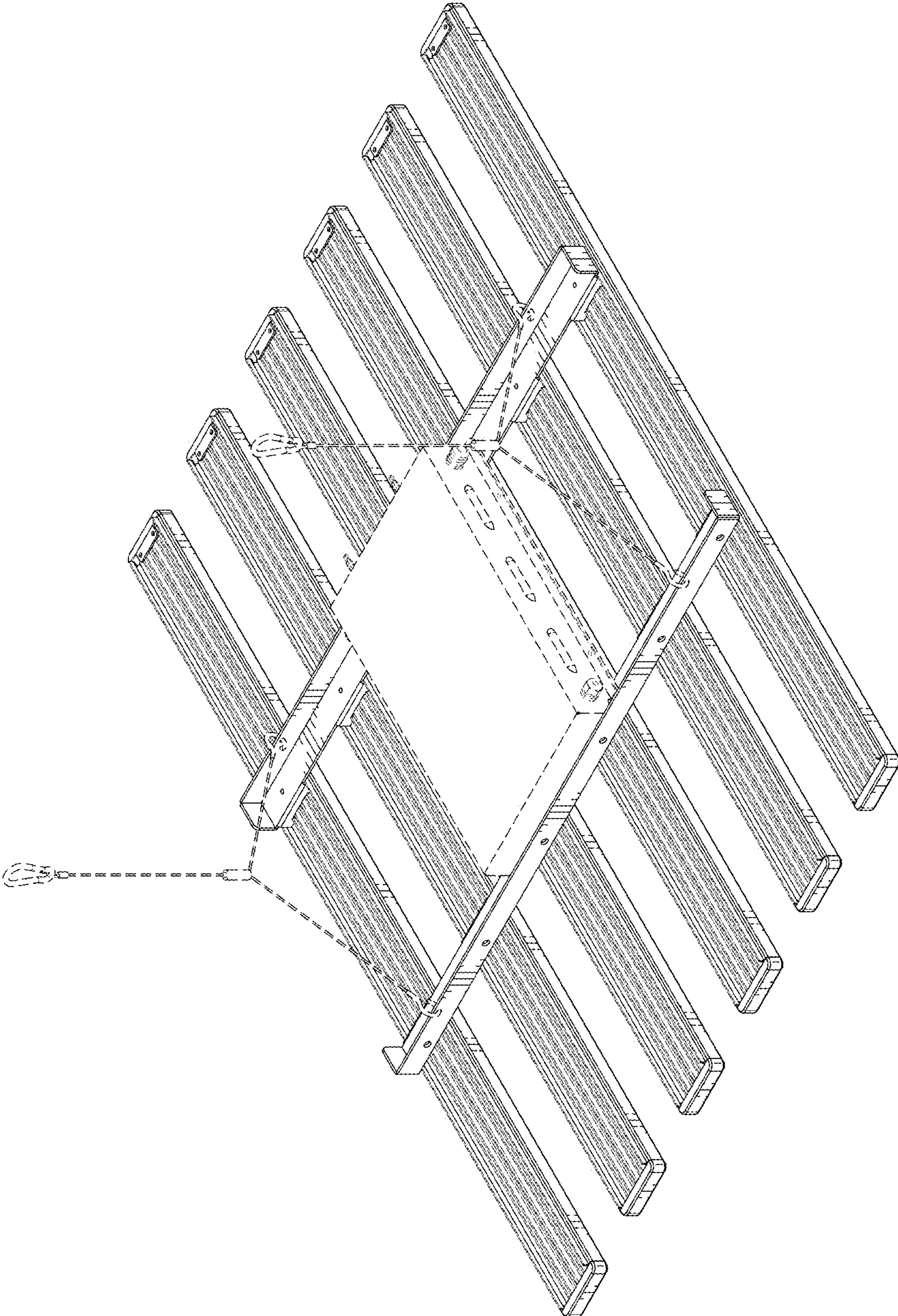


FIG. 16

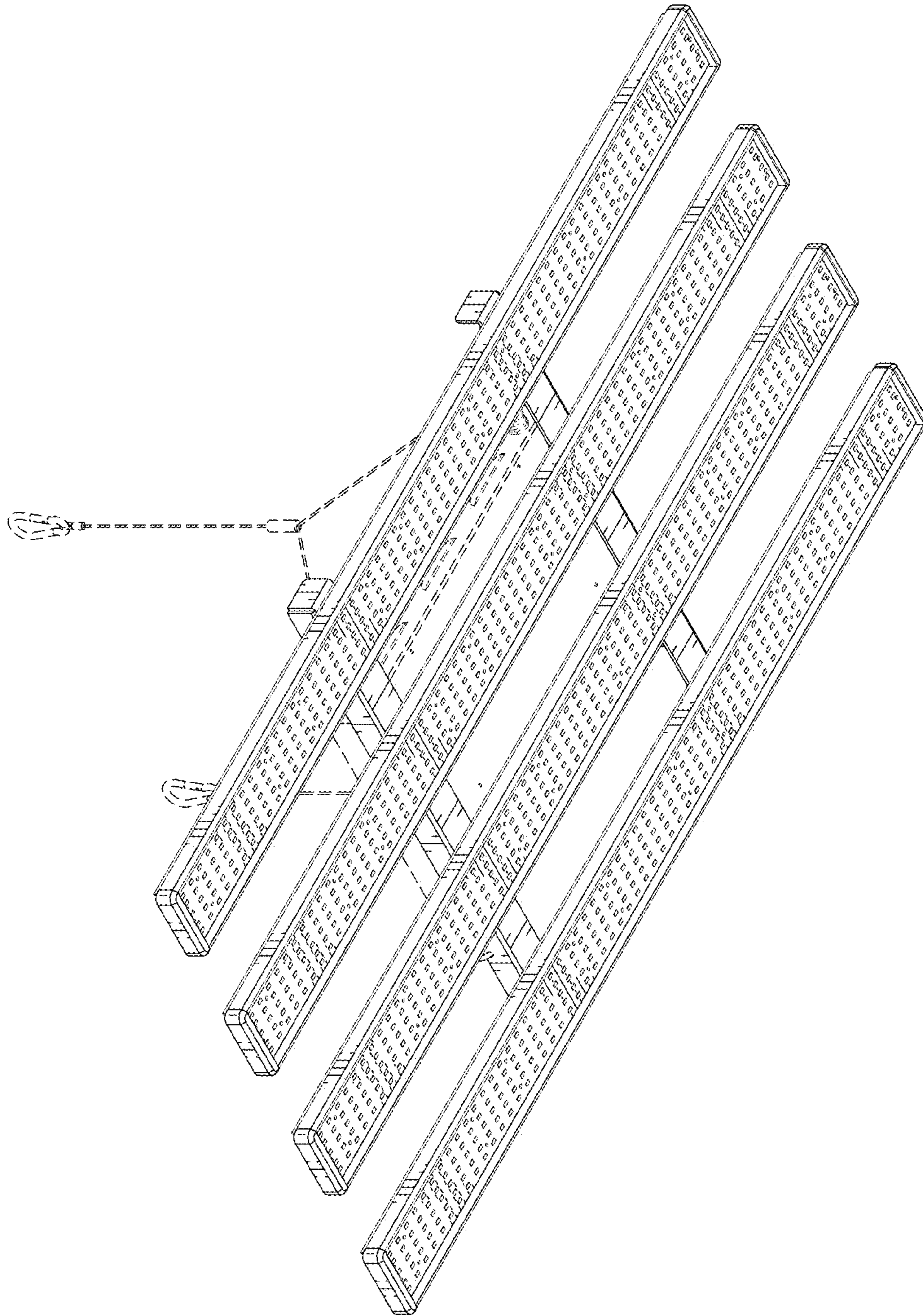


FIG. 17

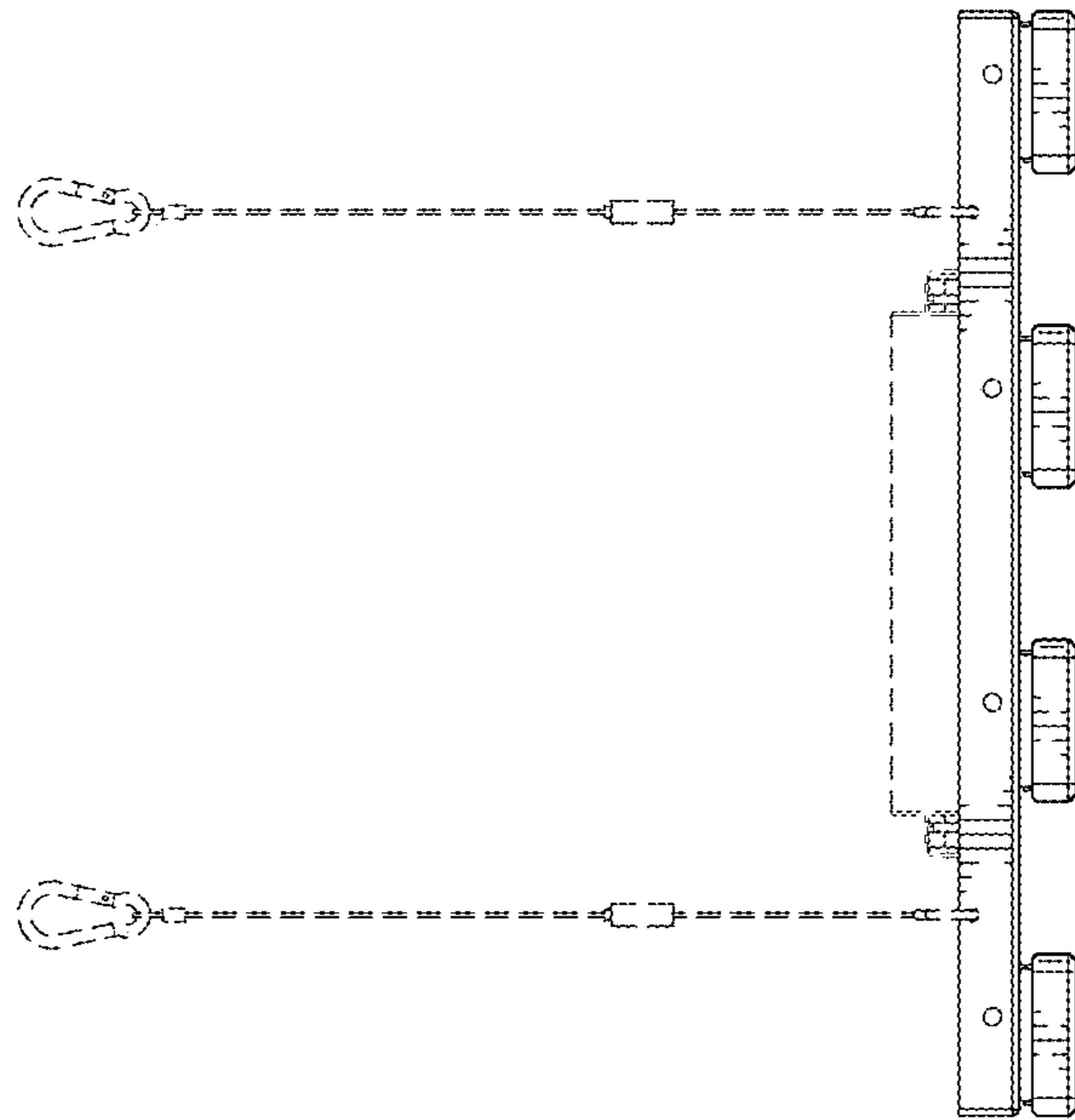


FIG. 18

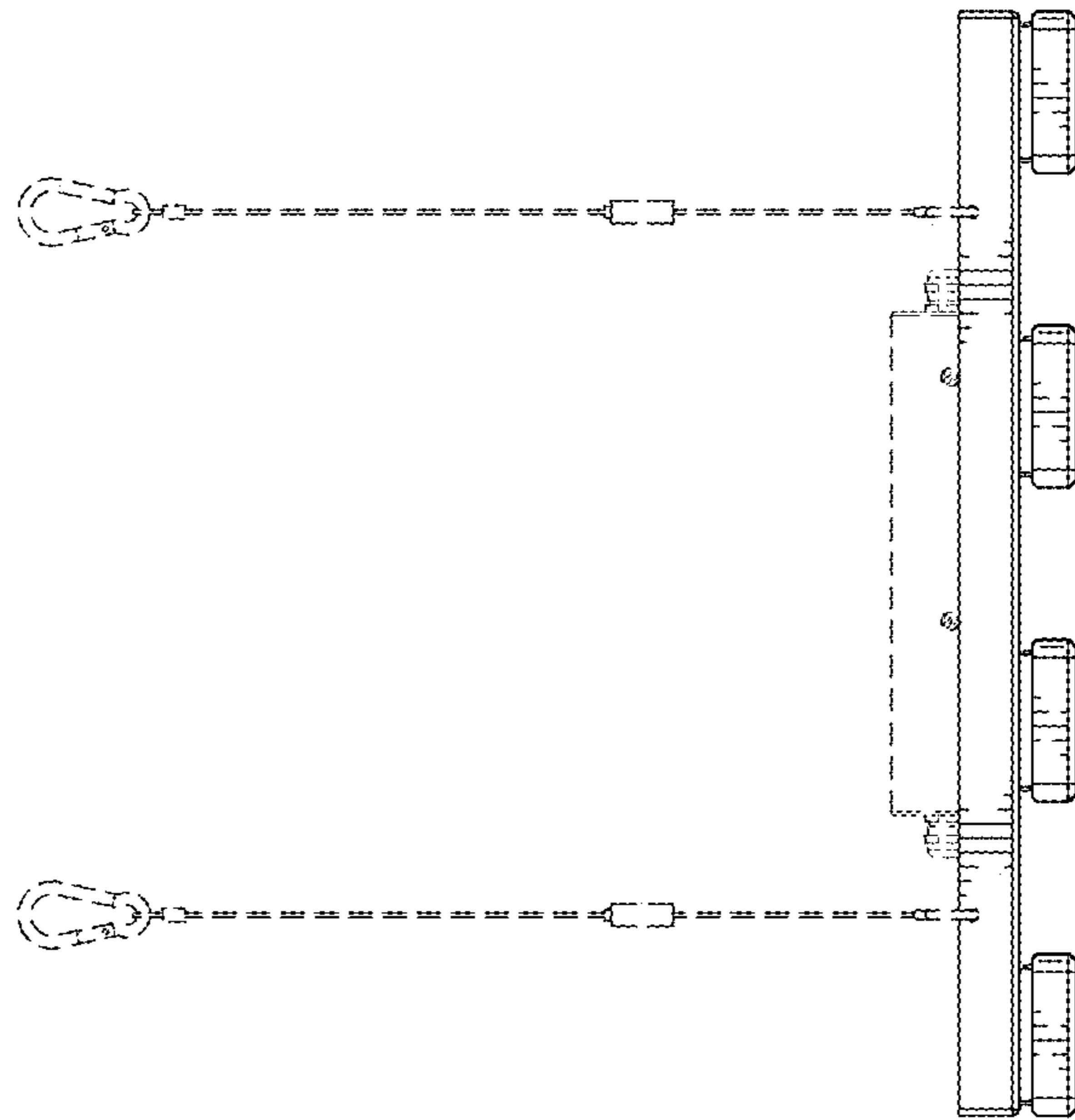


FIG. 19

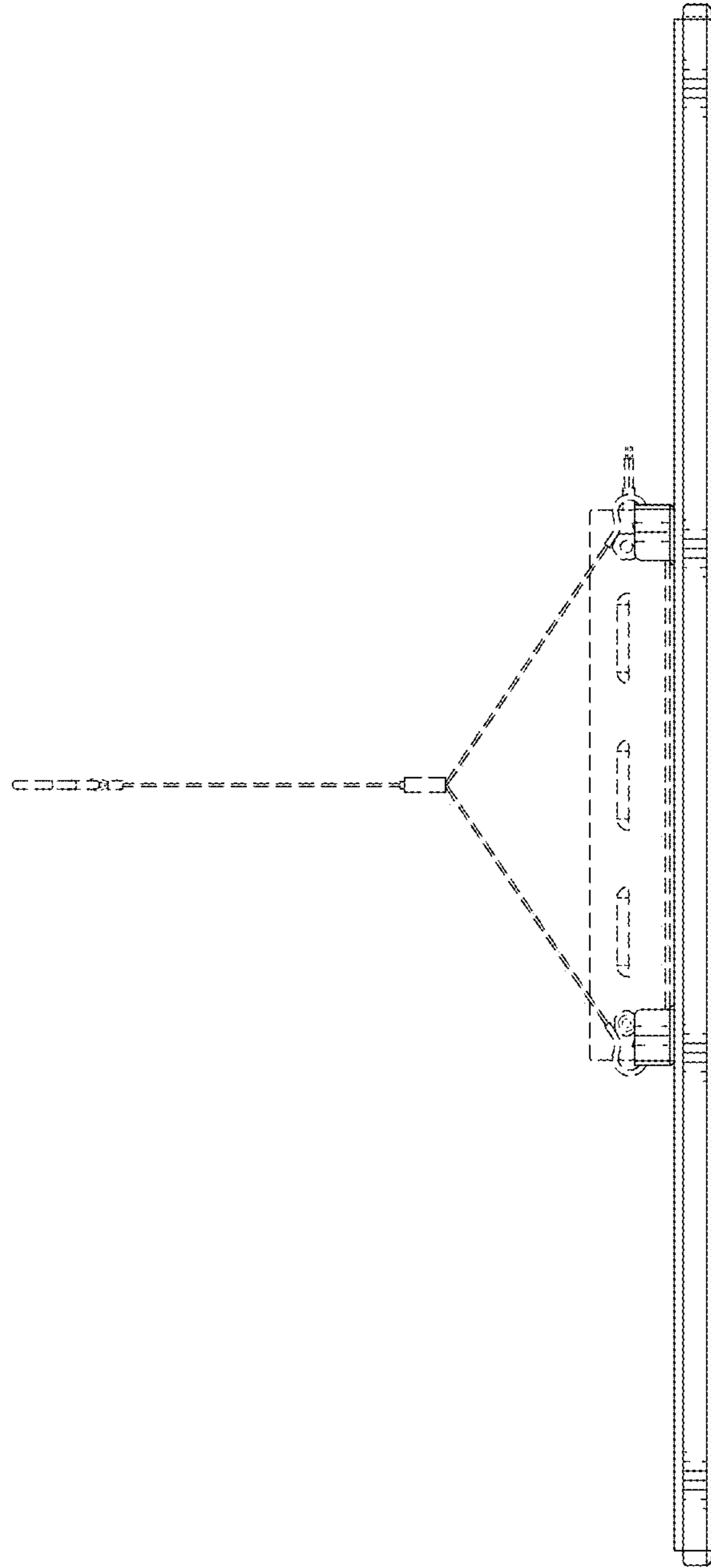


FIG. 20

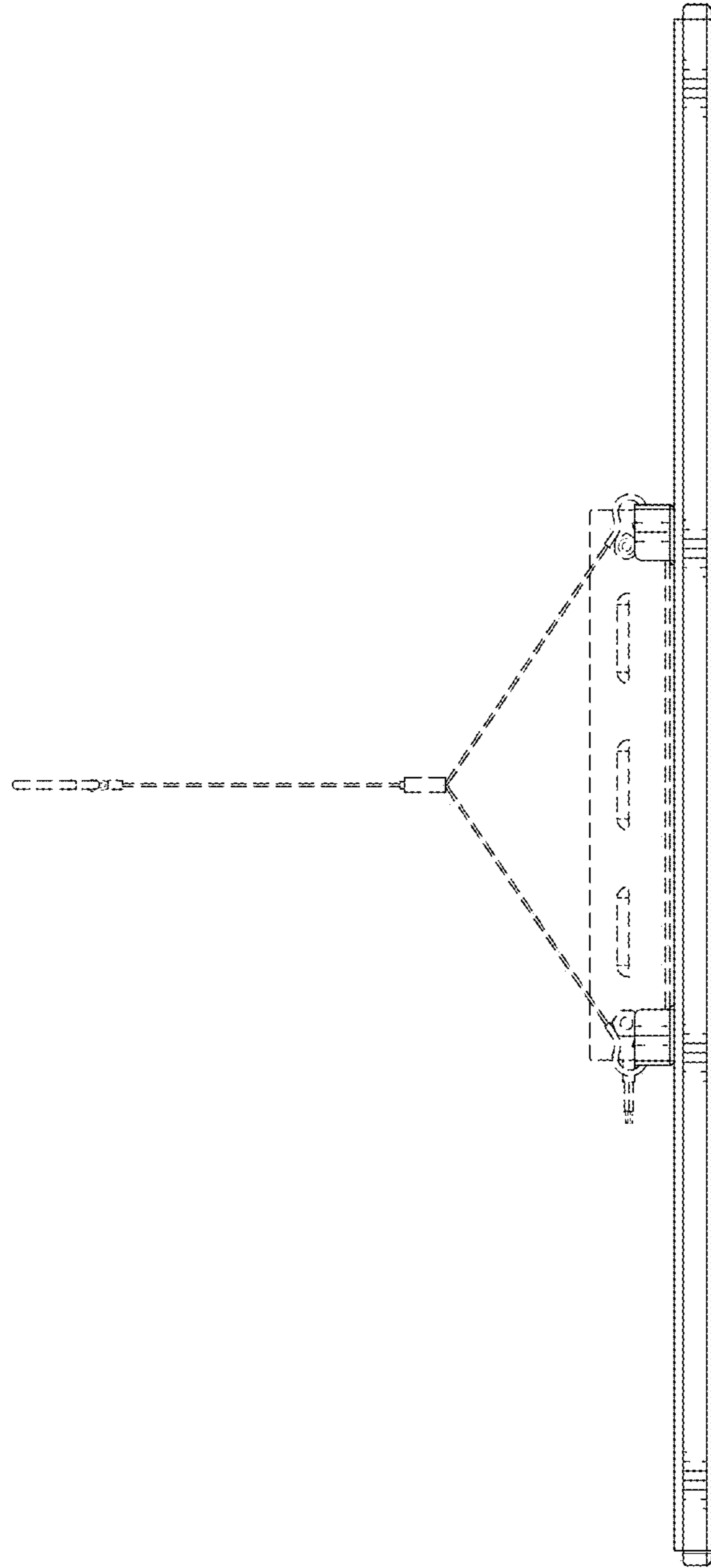


FIG. 21

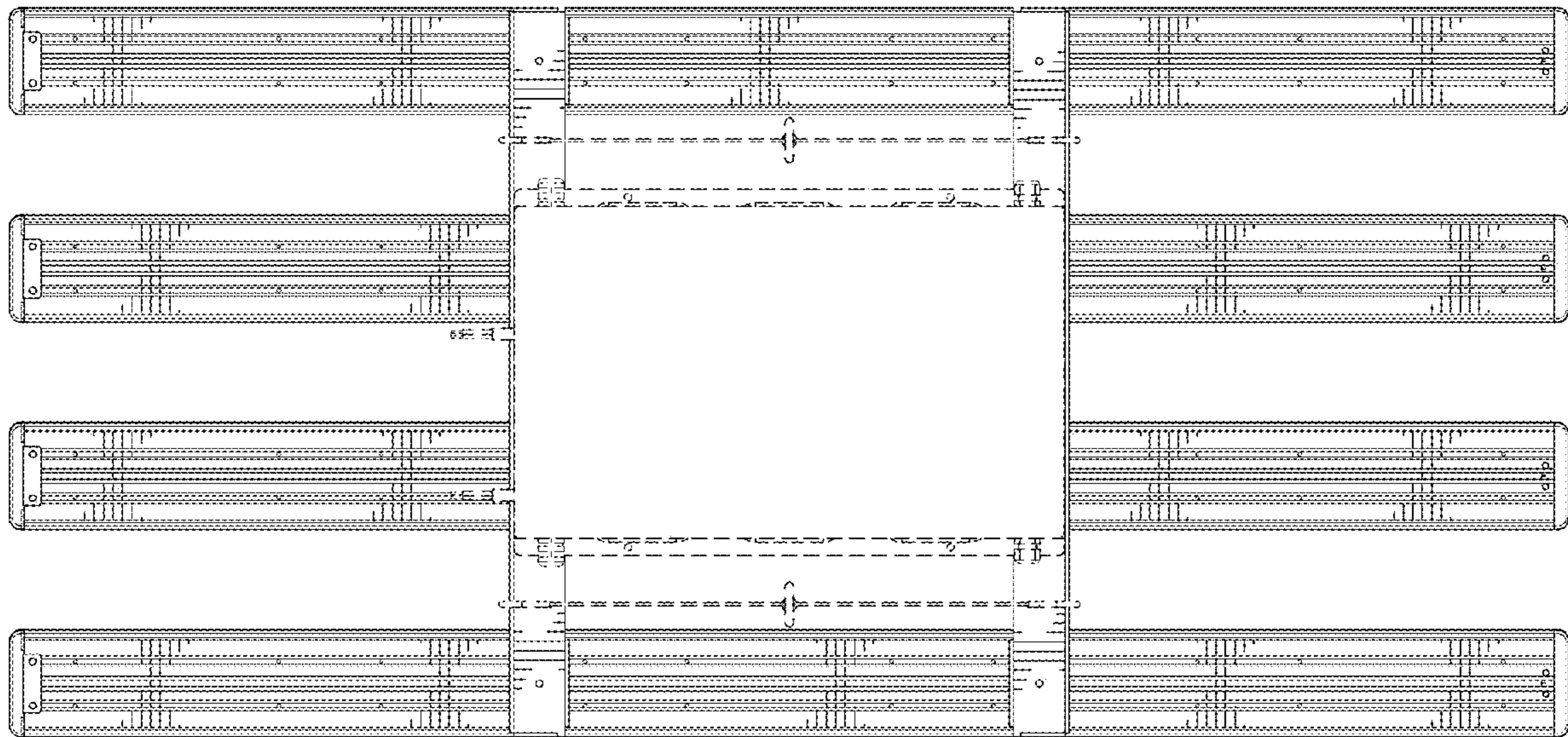


FIG. 22

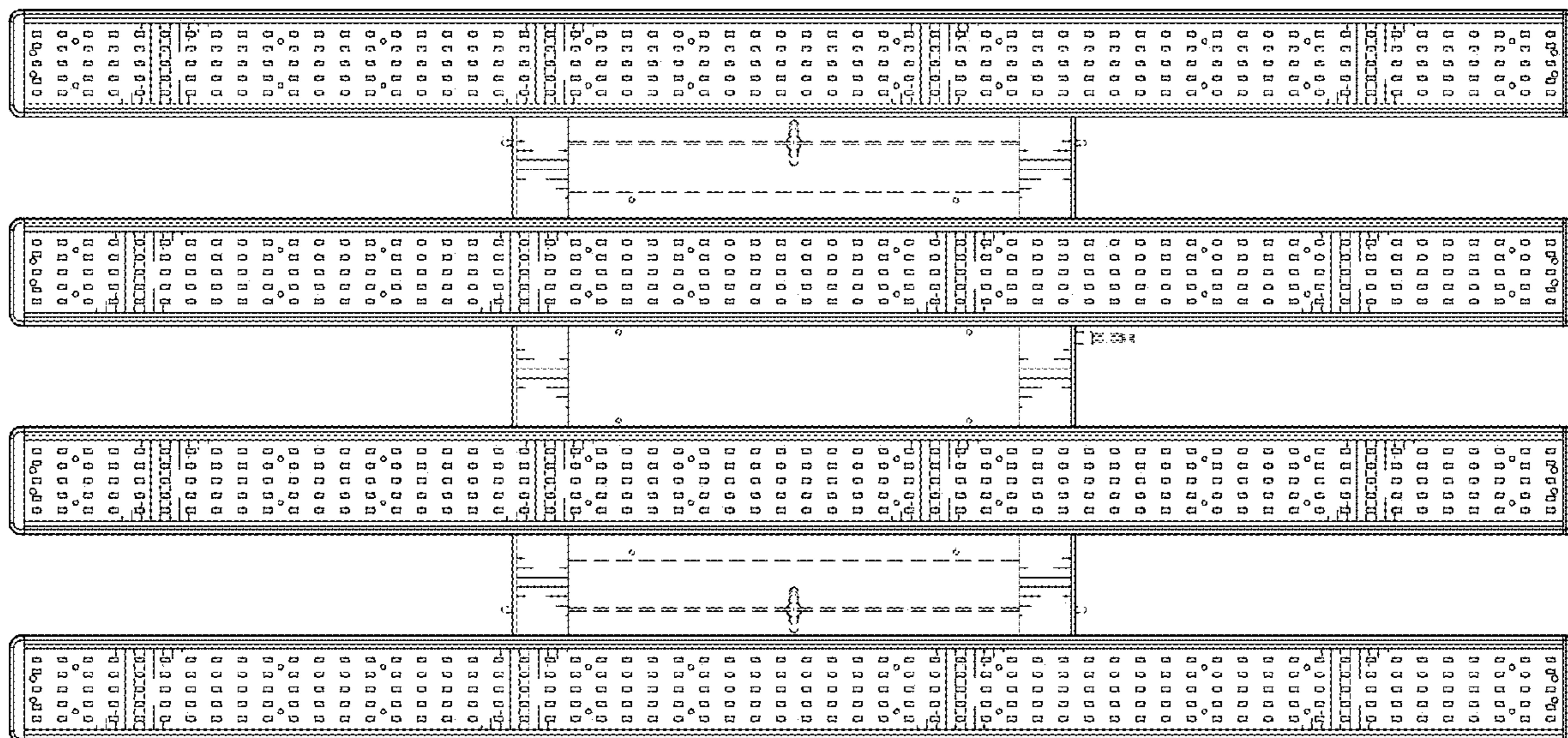


FIG. 23

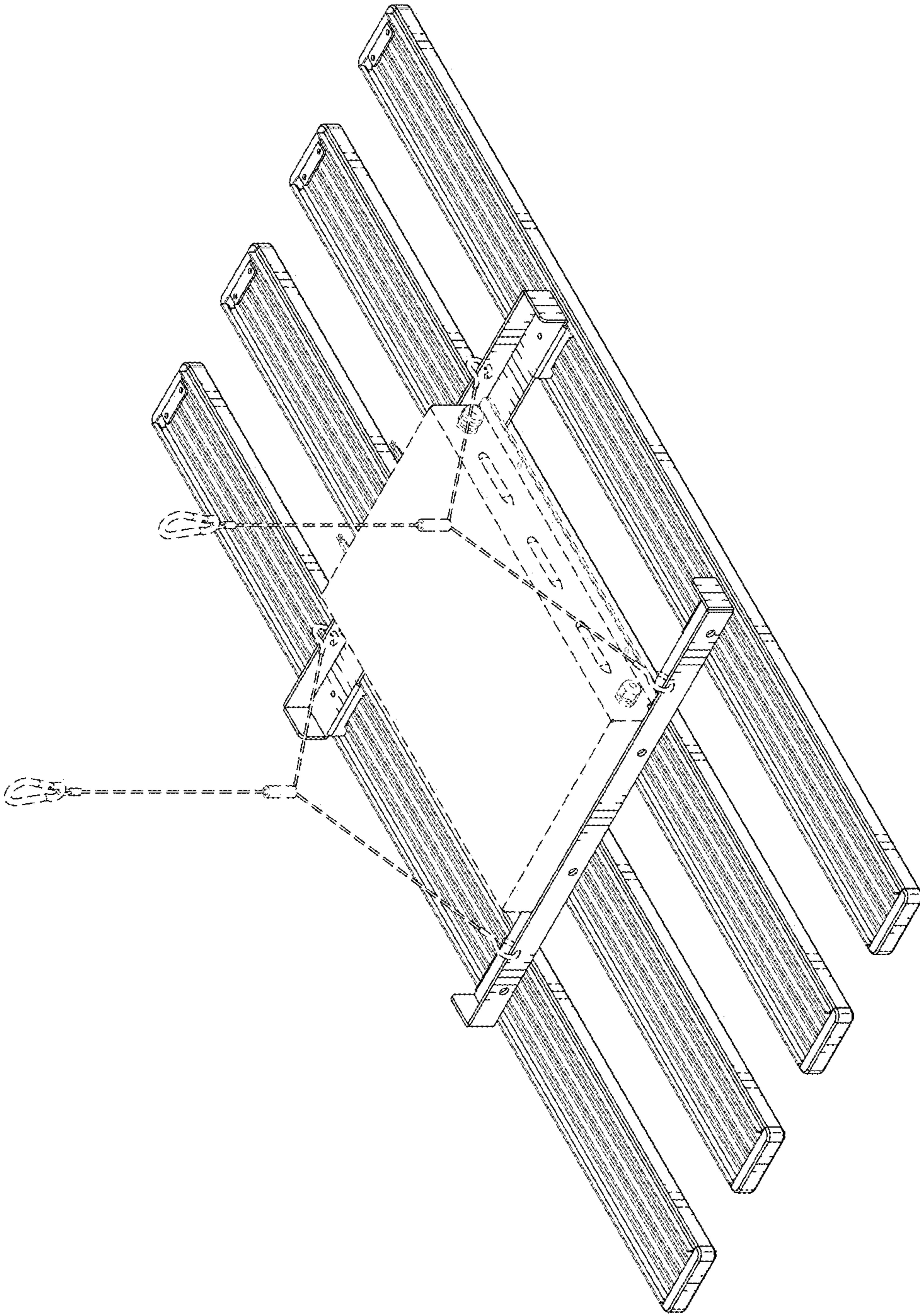


FIG. 24

UNITED STATES PATENT AND TRADEMARK OFFICE
CERTIFICATE OF CORRECTION

PATENT NO. : D955,027 S
APPLICATION NO. : 29/663109
DATED : June 14, 2022
INVENTOR(S) : Gerald Lauck et al.

Page 1 of 1

It is certified that error appears in the above-identified patent and that said Letters Patent is hereby corrected as shown below:

On the Title Page

Page 2, item (56) References Cited, Other Publications, Lite Line Illuminations reference, please delete "...22specification+grade+led%22&cd=3&hl=en&ct=clnk&gl..." and insert -- ...22specification+grade_led%22&cd=3&hl=en&ct=clink&gl... --.

Signed and Sealed this
Fourth Day of October, 2022
Katherine Kelly Vidal

Katherine Kelly Vidal
Director of the United States Patent and Trademark Office