



US00D955026S

(12) **United States Design Patent**
Song

(10) **Patent No.:** **US D955,026 S**
(45) **Date of Patent:** **** Jun. 14, 2022**

(54) **SOLAR GARDEN LIGHT**

- (71) Applicant: **Kejie Song**, Yuyao (CN)
- (72) Inventor: **Kejie Song**, Yuyao (CN)
- (**) Term: **15 Years**
- (21) Appl. No.: **29/785,242**
- (22) Filed: **May 25, 2021**
- (51) **LOC (13) Cl.** **26-05**
- (52) **U.S. Cl.**
USPC **D26/67**
- (58) **Field of Classification Search**
USPC D26/67-70, 72, 85
CPC F21S 8/03; F21S 8/033; F21S 8/036; F21S
8/081; F21S 9/037; F21W 2111/02;
F21W 2111/023; F21W 2131/109
See application file for complete search history.

(56) **References Cited**

U.S. PATENT DOCUMENTS

D497,021 S *	10/2004	Pu	D26/67
D532,141 S *	11/2006	Chen	D26/67
D541,968 S *	5/2007	Tortel	D26/2
D600,391 S *	9/2009	Sabernig	D26/85
D605,804 S *	12/2009	Chen	D26/67
D757,980 S *	5/2016	Sooferian	D26/68
10,125,936 B1 *	11/2018	Boehm	F21V 21/06
D875,291 S	2/2020	Liu		
D880,746 S *	4/2020	Zhang	D26/67
D888,312 S *	6/2020	Sooferian	D26/67
D899,659 S	10/2020	Wang		
D911,573 S	2/2021	Shi		
2015/0176812 A1 *	6/2015	Xinzhou	F21S 10/00 362/183

OTHER PUBLICATIONS

HYSapientia Outdoor Solar Pathway Lights, ASIN: B09QRLLGHS. Available from amazon.com Jan. 20, 2022. (Year: 2022).*

Gigalumi Solar-Powered Pathway Lights, ASIN: B08T14GFHV. Available from amazon.com Jan. 14, 2021. (Year: 2021).*

Lifsalyd Solar Pathway Light, ASIN: B09P8HHR6H. Available from amazon.com Dec. 27, 2021. (Year: 2021).*

Enchanted Spaces Bronze Solar Path Light, ASIN: B019O68T6M. Available from amazon.com as early as Jul. 25, 2018. (Year: 2018).*

* cited by examiner

Primary Examiner — Clare E Heflin

(74) *Attorney, Agent, or Firm* — Che-Yang Chen; Law Office of Michael Chen

(57) **CLAIM**

The ornamental design for a solar garden light, as shown and described.

DESCRIPTION

FIG. 1 is a perspective view of the solar garden light showing my new design;

FIG. 2 is a front elevational view thereof;

FIG. 3 is a rear elevational view thereof;

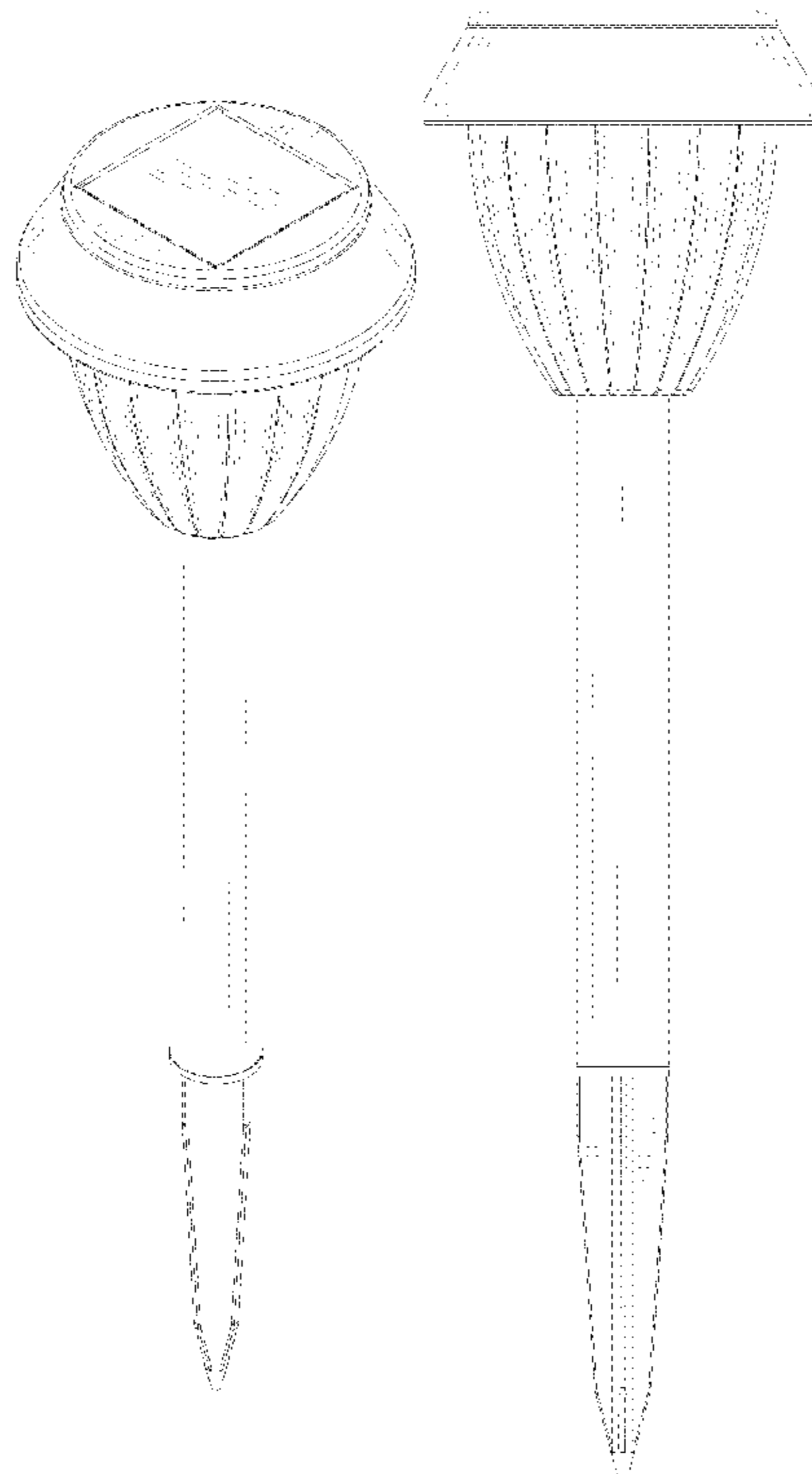
FIG. 4 is a left side elevational view thereof;

FIG. 5 is a right side elevational view thereof;

FIG. 6 is a top plan view thereof; and,

FIG. 7 is a bottom plan view thereof.

1 Claim, 7 Drawing Sheets



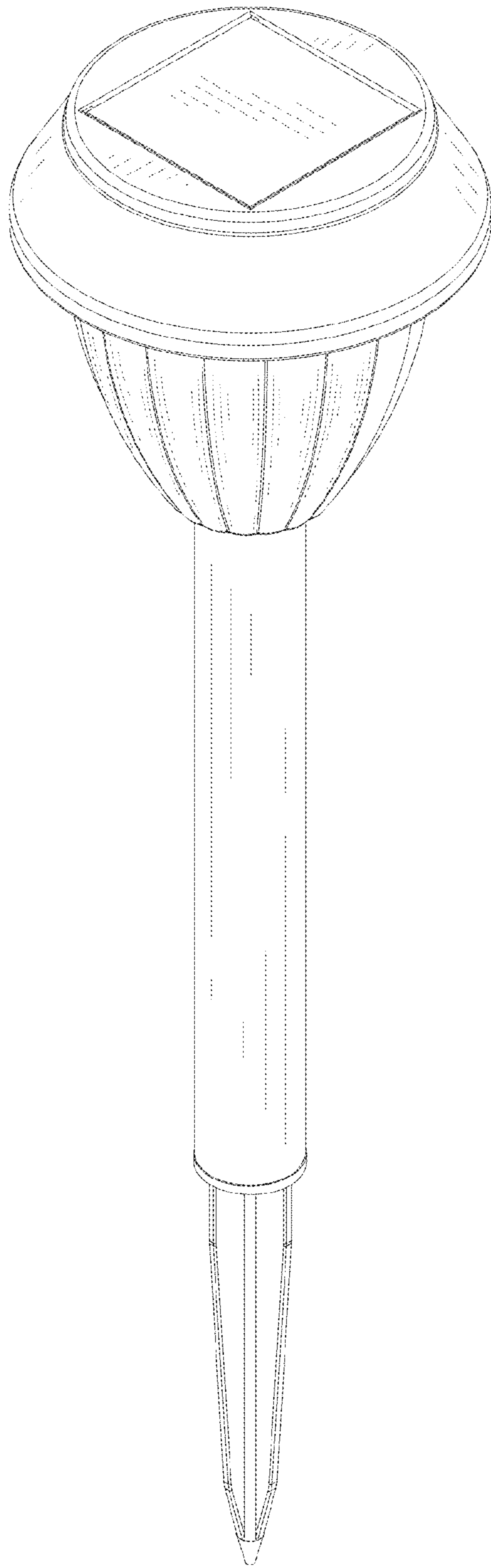


FIG. 1

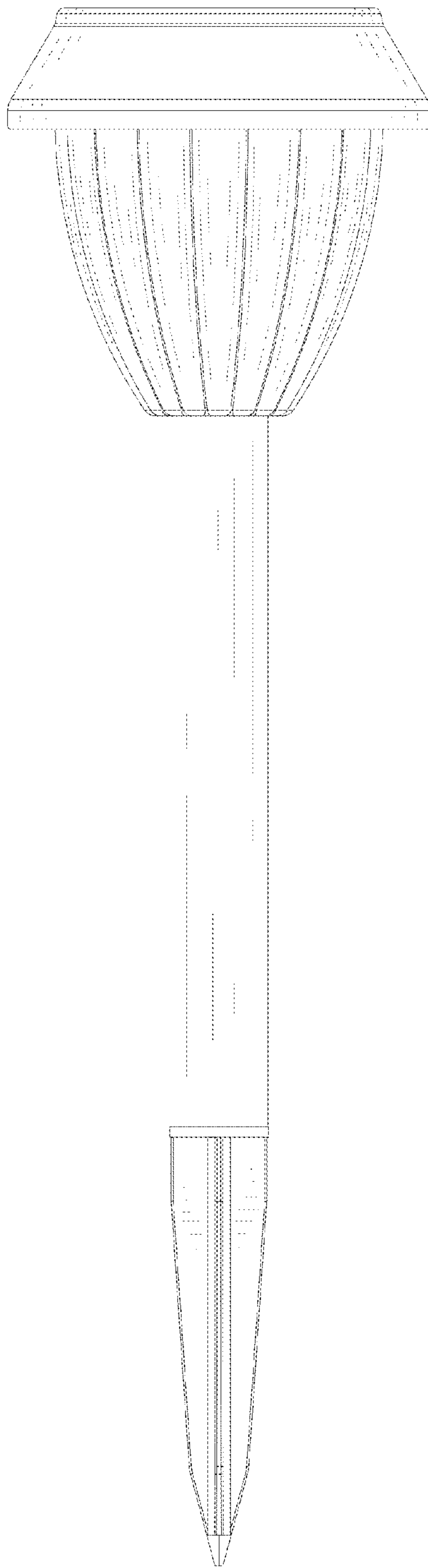


FIG. 2

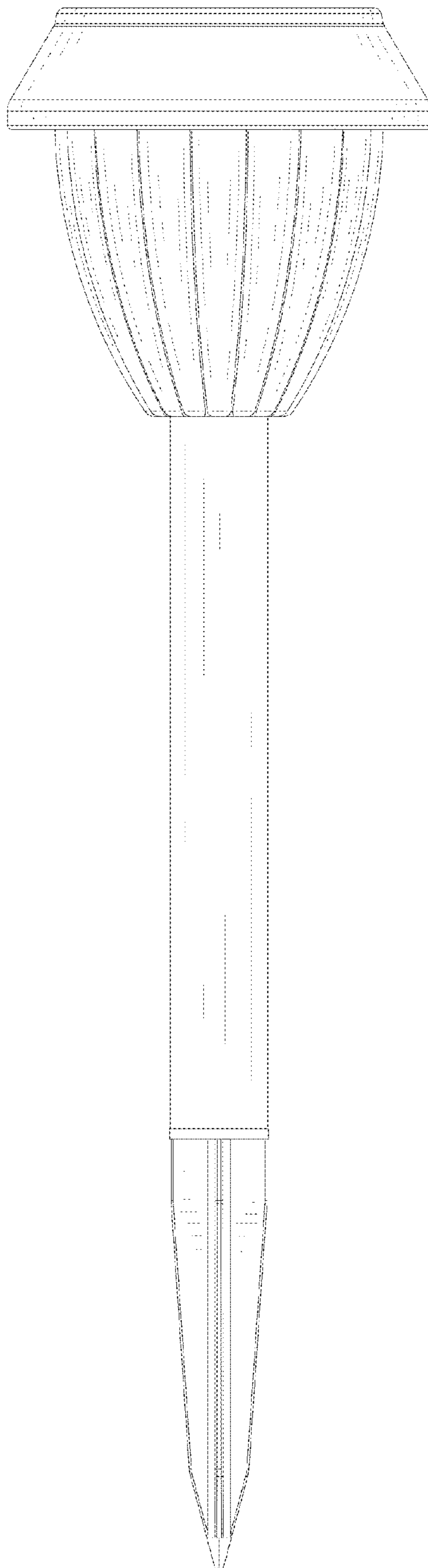


FIG. 3

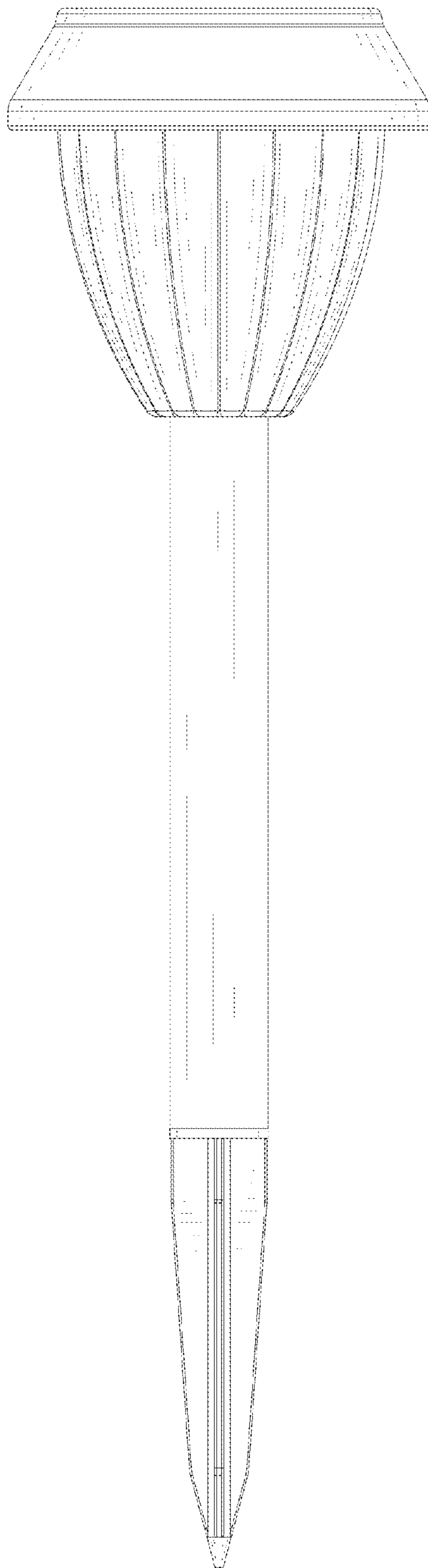


FIG. 4

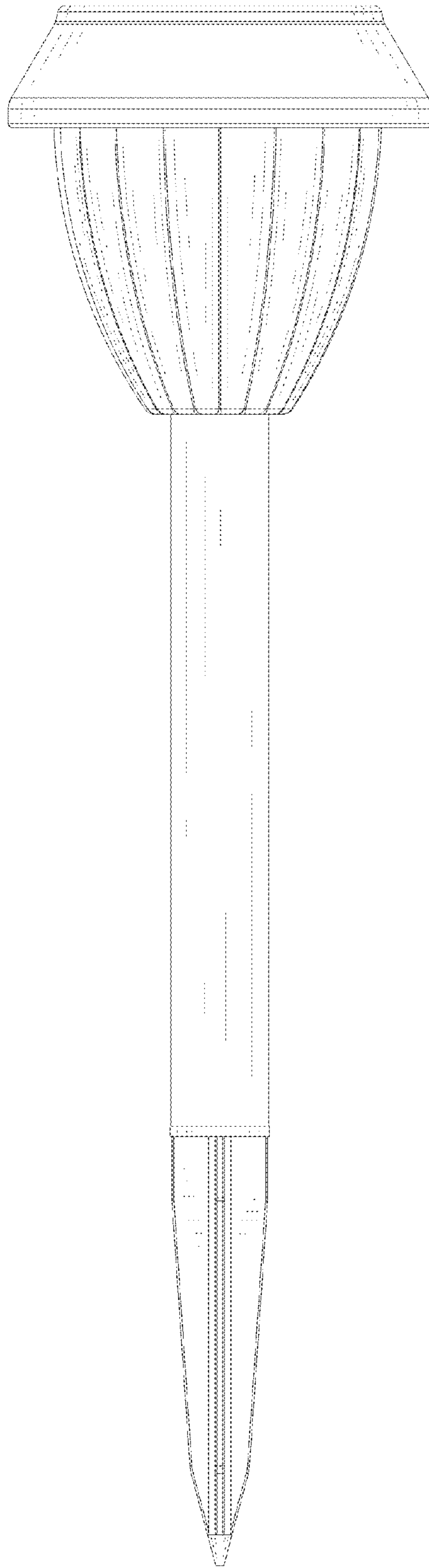


FIG. 5

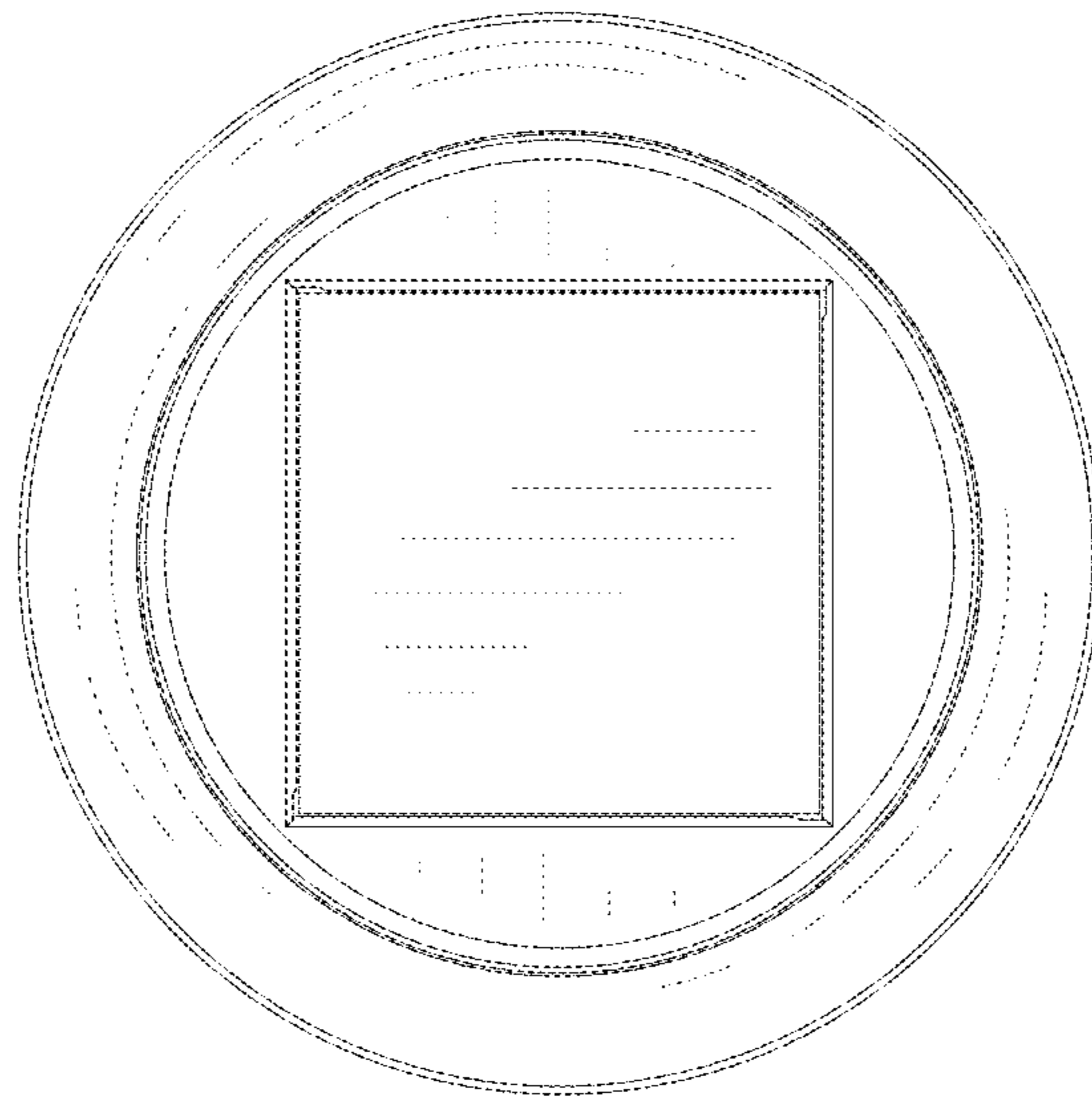


FIG. 6

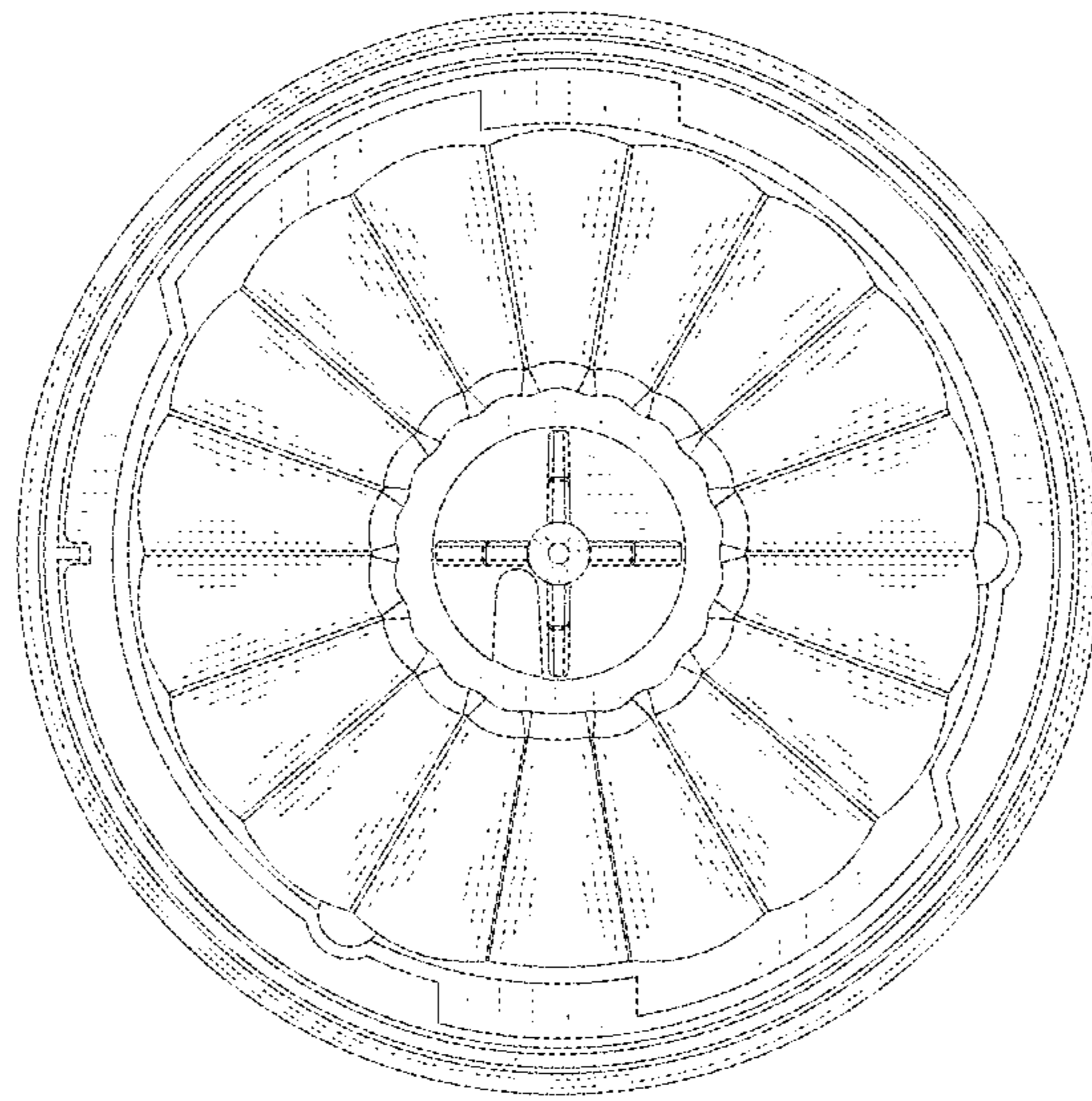


FIG. 7