



US00D955024S

(12) **United States Design Patent**
Wu

(10) **Patent No.:** **US D955,024 S**
(45) **Date of Patent:** **** Jun. 14, 2022**

(54) **SOLAR LIGHT**

(71) Applicant: **Beier Wu**, Zhejiang Province (CN)

(72) Inventor: **Beier Wu**, Zhejiang Province (CN)

(**) Term: **15 Years**

(21) Appl. No.: **29/776,369**

(22) Filed: **Mar. 30, 2021**

(51) **LOC (13) Cl.** **26-05**

(52) **U.S. Cl.**
USPC **D26/63**

(58) **Field of Classification Search**

USPC D26/1, 24, 63, 72, 80, 85

CPC F21L 2/00; F21L 4/00; F21L 4/02; F21L
4/025; F21L 4/027; F21L 14/00; F21S
2/00; F21S 8/03; F21S 8/033

See application file for complete search history.

(56) **References Cited**

U.S. PATENT DOCUMENTS

D866,035 S	*	11/2019	Tan	D26/63
D866,036 S	*	11/2019	Tan	D26/63
D866,849 S	*	11/2019	Lafleur	D26/120
D889,721 S	*	7/2020	Tan	D26/63
D894,462 S	*	8/2020	Recker	D26/63
D899,658 S		10/2020	Wang		
D911,571 S	*	2/2021	Liu	D26/63
D914,261 S	*	3/2021	Ouyang	D26/65
D922,645 S	*	6/2021	Gowing	D26/63
D929,008 S	*	8/2021	Singh	F21V 21/02 D26/63
D934,479 S	*	10/2021	Liu	D26/63
D935,674 S	*	11/2021	Wu	D26/63
2018/0195703 A1	*	7/2018	Bailey	F21V 21/02
2021/0274619 A1	*	9/2021	Bailey	F21S 9/032

FOREIGN PATENT DOCUMENTS

GB 6125586 * 3/2021

OTHER PUBLICATIONS

Amazon, "LEPOWER Dusk to Dawn LED Security Light", first available Oct. 3, 2018. (<https://www.amazon.com/dp/B07GTK1LY4/?th=1>)(Year: 2018).*

Amazon, "Onforu 50W LED Security Light", first available May 26, 2019. (<https://www.amazon.com/Onforu-Security-Outdoor-Waterproof-Adjustable/dp/B07S6LGQC9?th=1>) (Year: 2019).*

Amazon, "Solar Lights Outdoor with Motion Sensor", first available Sep. 6, 2021. (<https://www.amazon.com/dp/B09FKZ31QR/>) (Year: 2021).*

Amazon, "Solar Lights Outdoor 2 Packs", first available Jun. 21, 2021. (<https://www.amazon.com/dp/B08ZRYVCF4/>) (Year: 2021).*

* cited by examiner

Primary Examiner — Lauren D McVey

Assistant Examiner — Justin A Johnson

(57) **CLAIM**

The ornamental design for a solar light, as shown and described.

DESCRIPTION

FIG. 1 is a front and top perspective view of a solar light, showing my new design;

FIG. 2 is a rear and bottom perspective view thereof;

FIG. 3 is a front elevation view thereof;

FIG. 4 is a rear elevation view thereof;

FIG. 5 is a left side elevation view thereof;

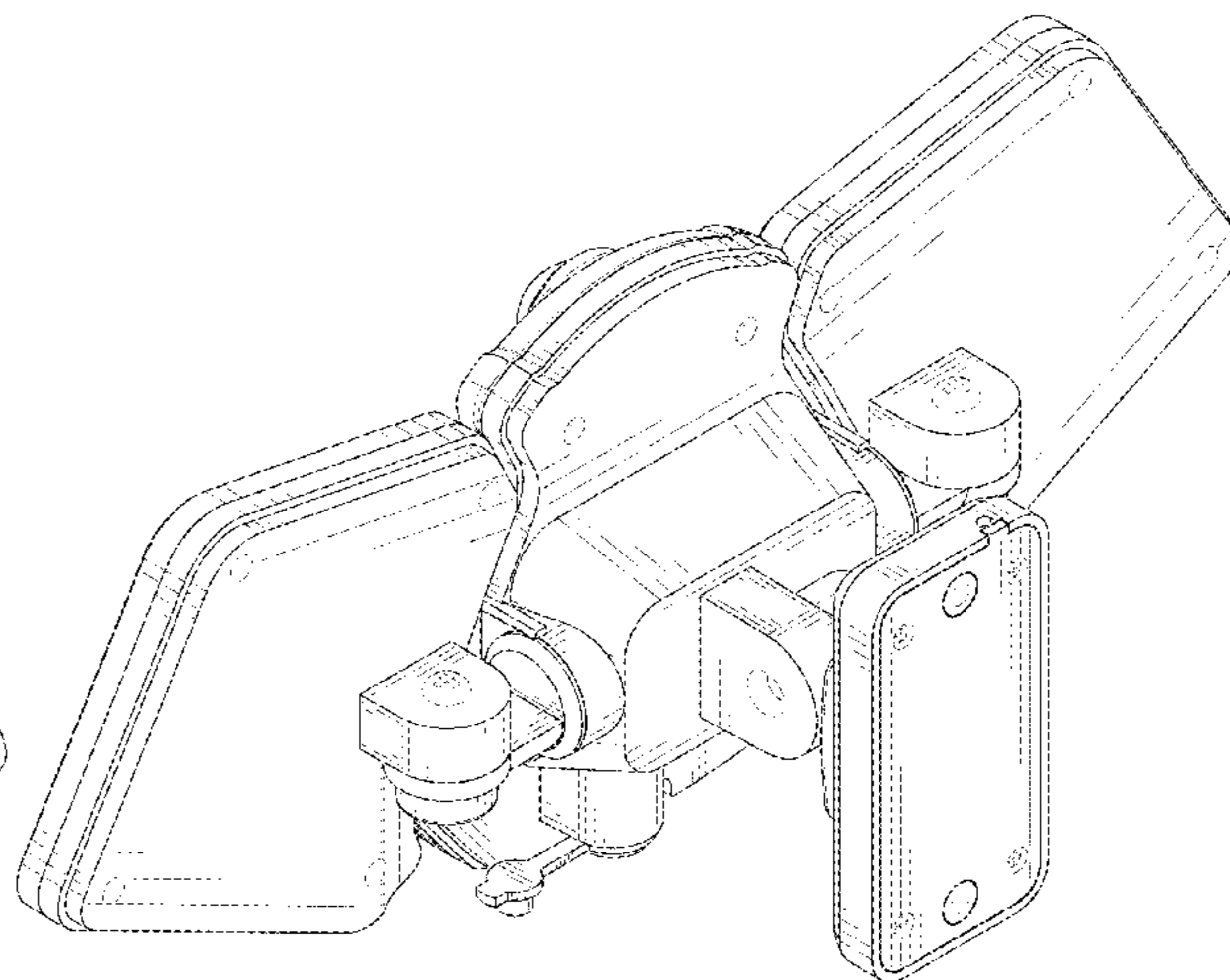
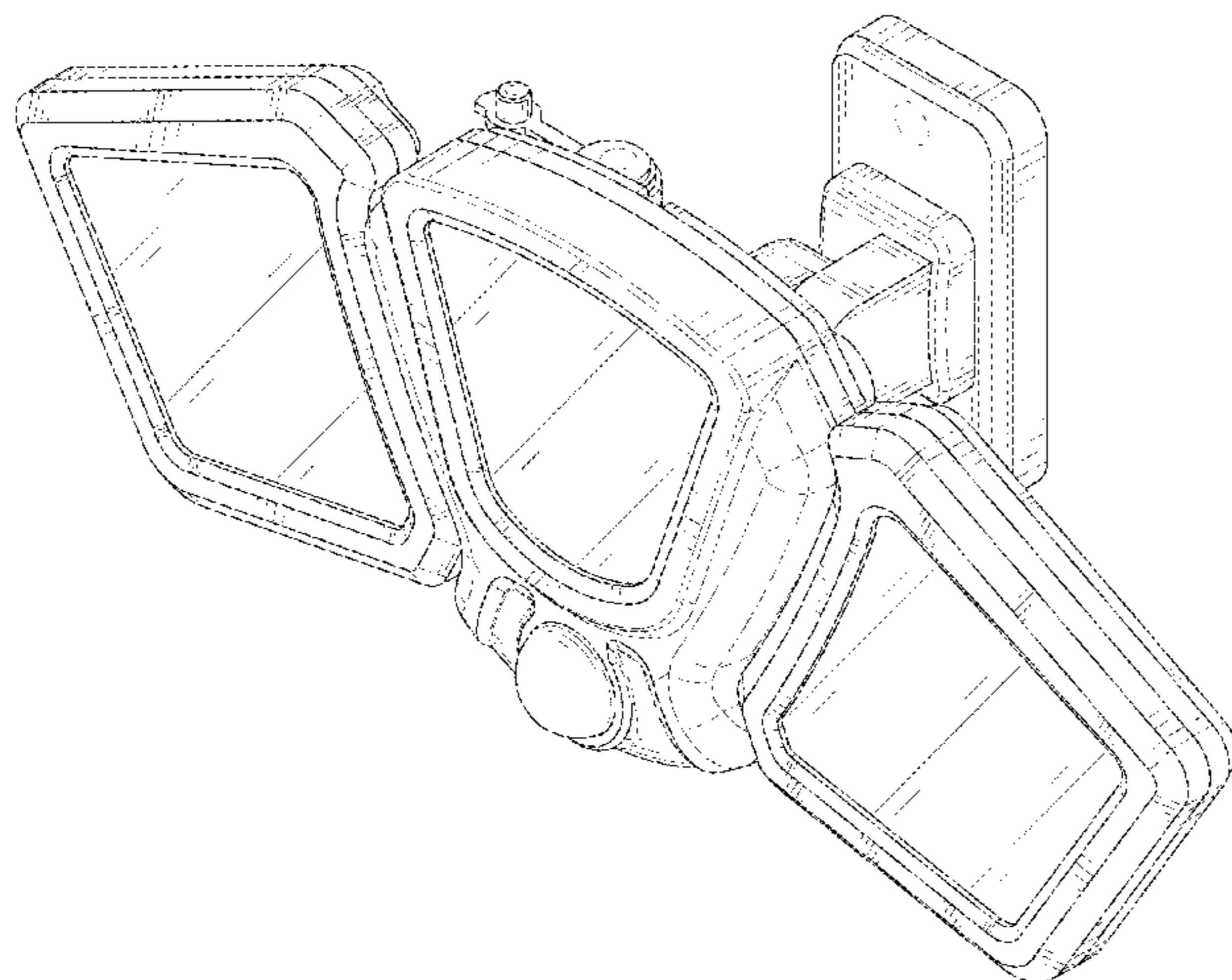
FIG. 6 is a right side elevation view thereof;

FIG. 7 is a top plan view thereof; and,

FIG. 8 is a bottom plan view thereof.

The broken lines in the figures illustrate portions of the solar light that form no part of the claimed design.

1 Claim, 8 Drawing Sheets



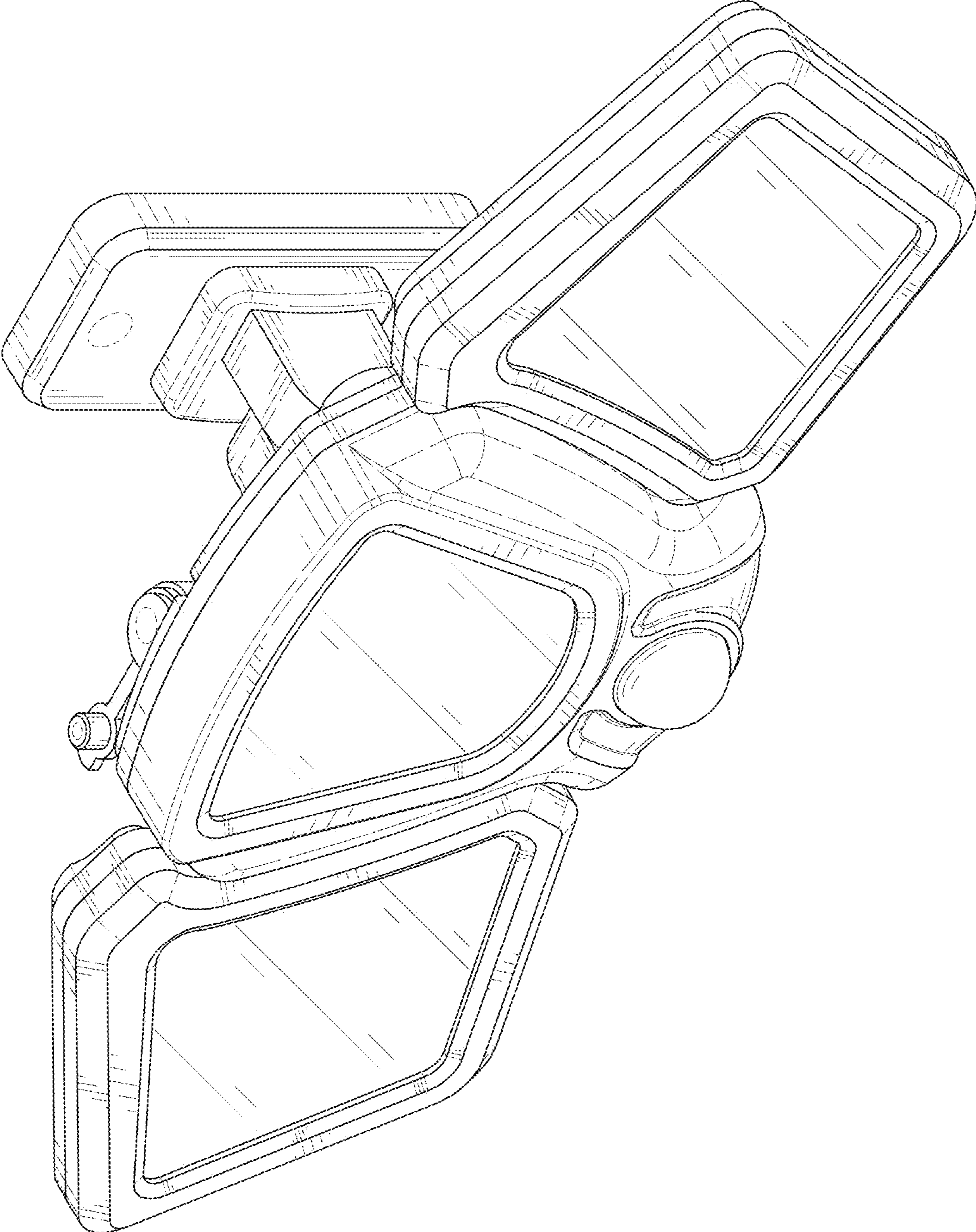


FIG. 1

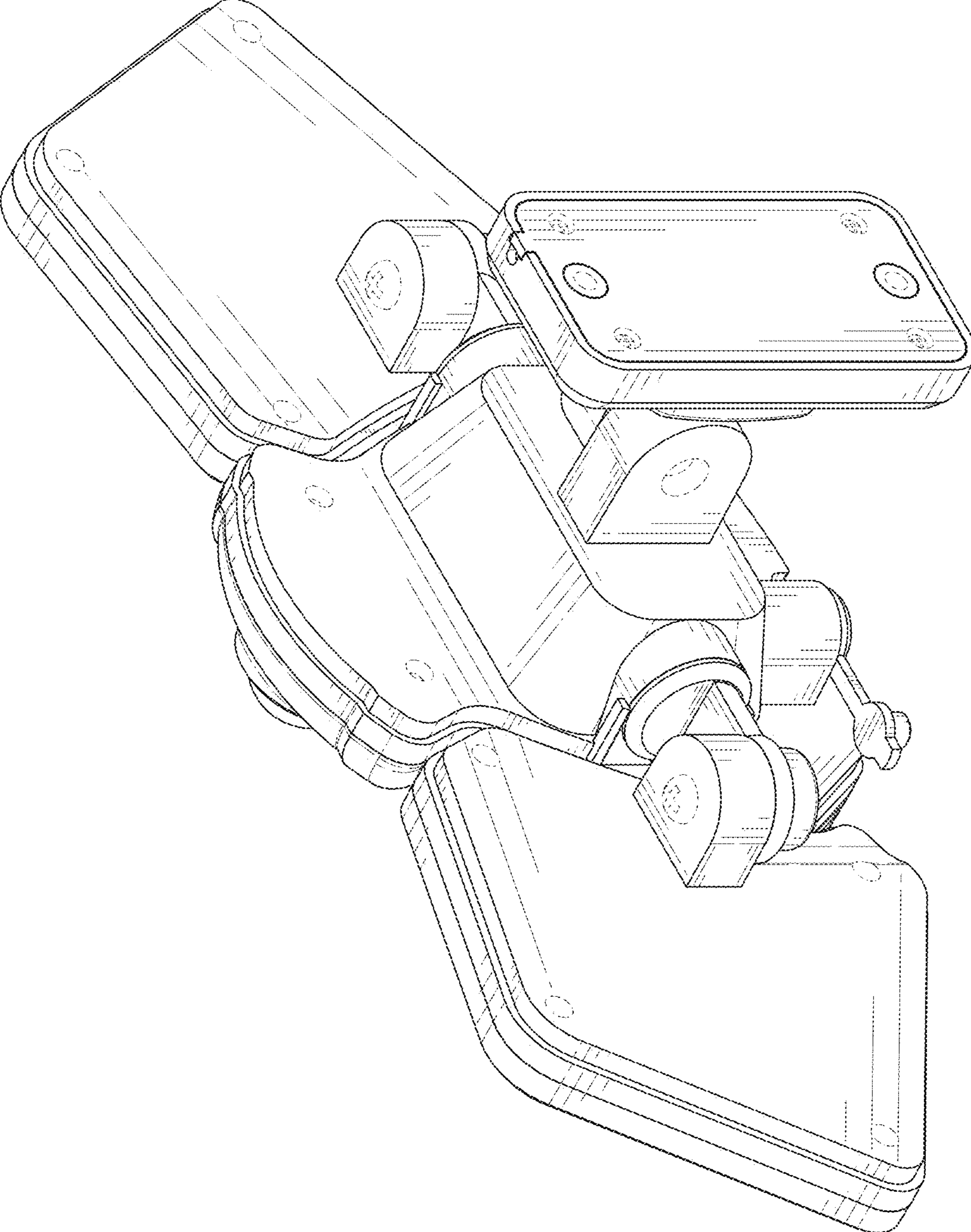


FIG. 2

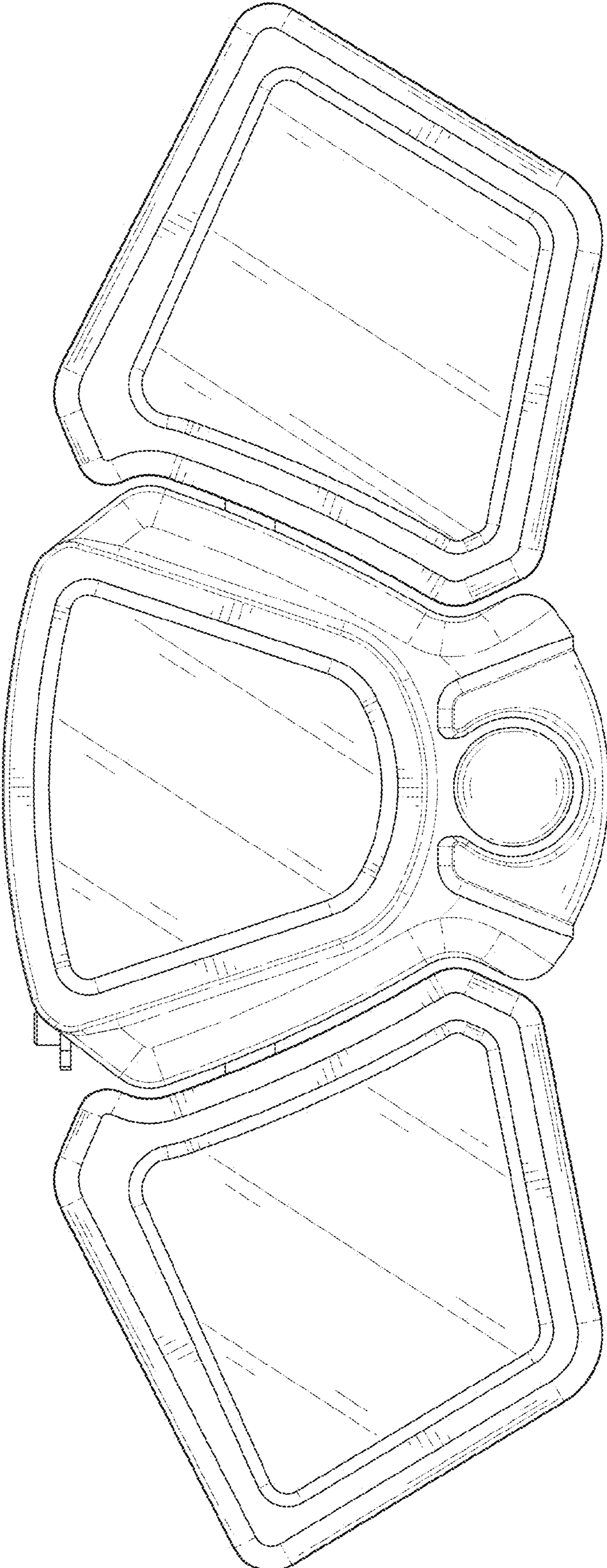


FIG. 3

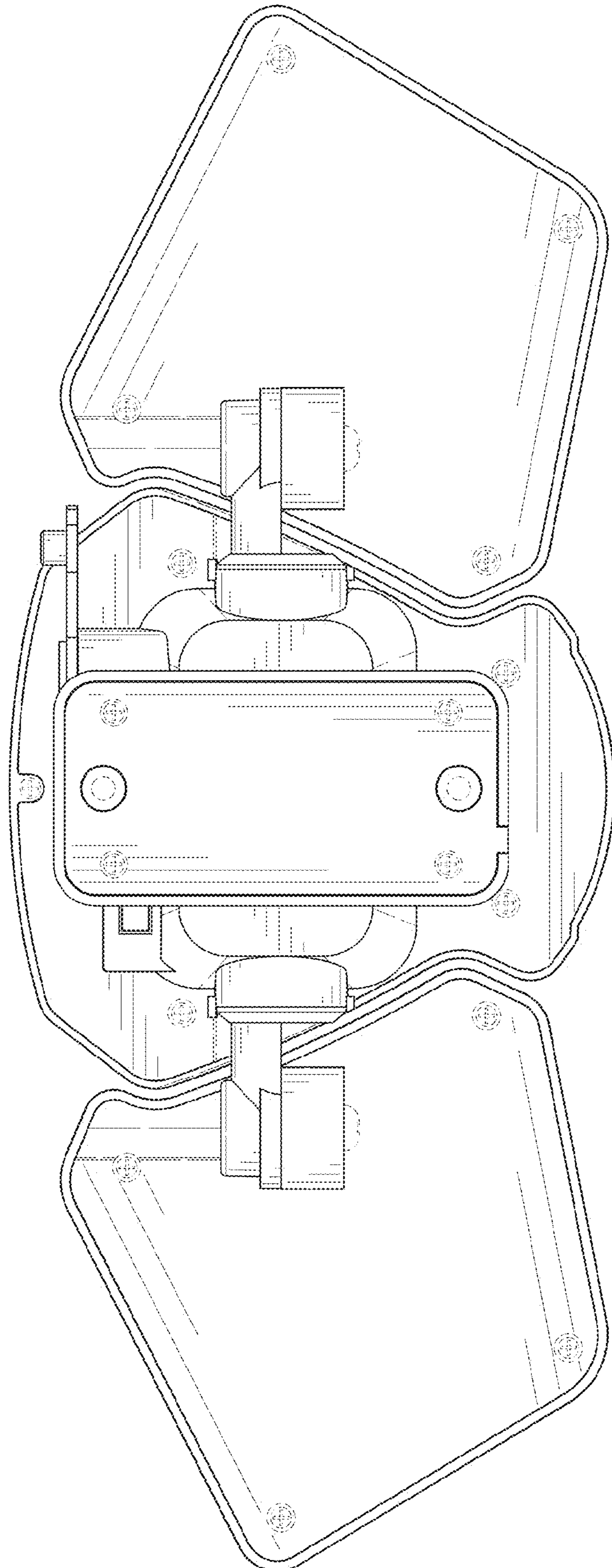


FIG. 4

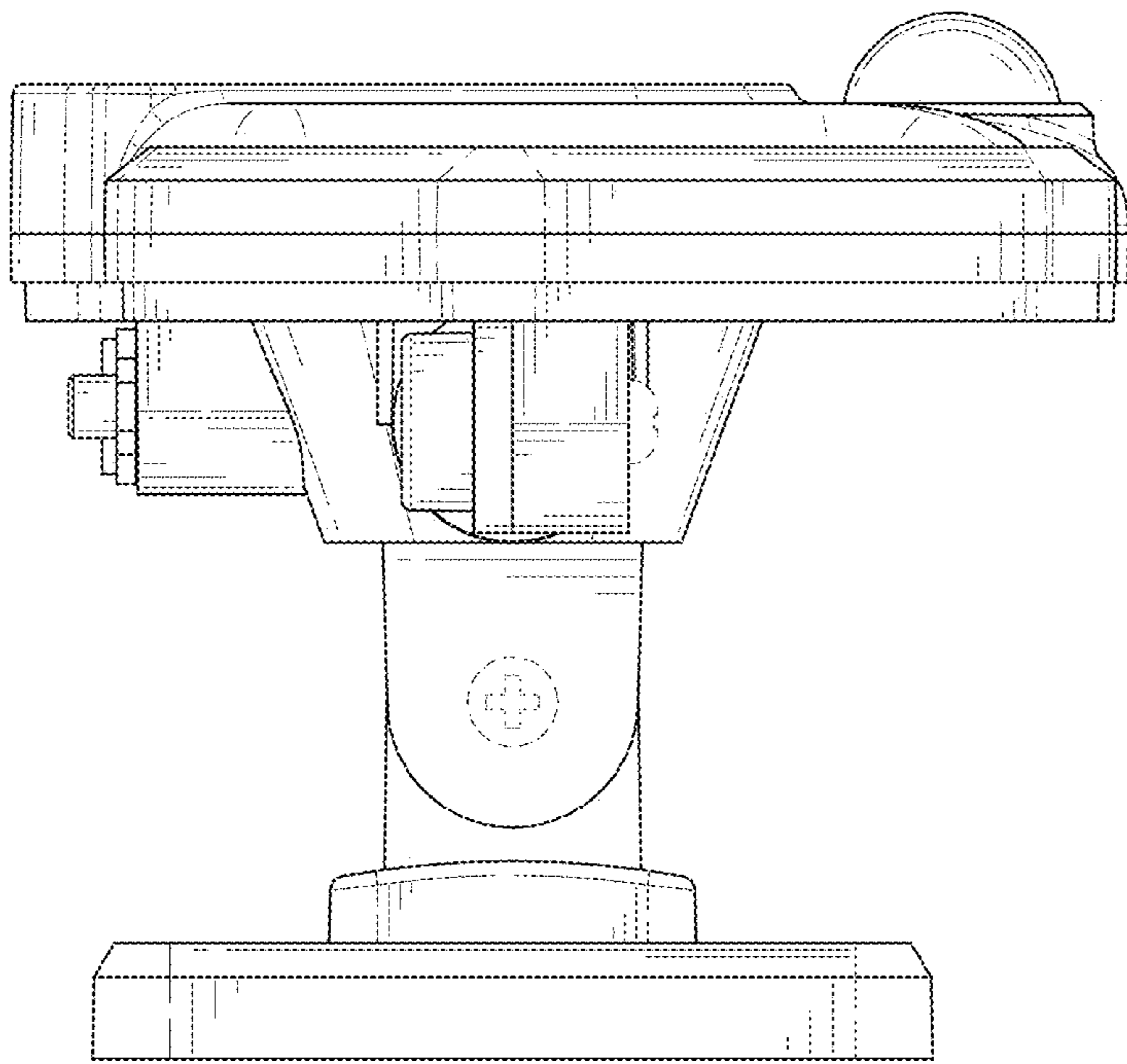


FIG. 5

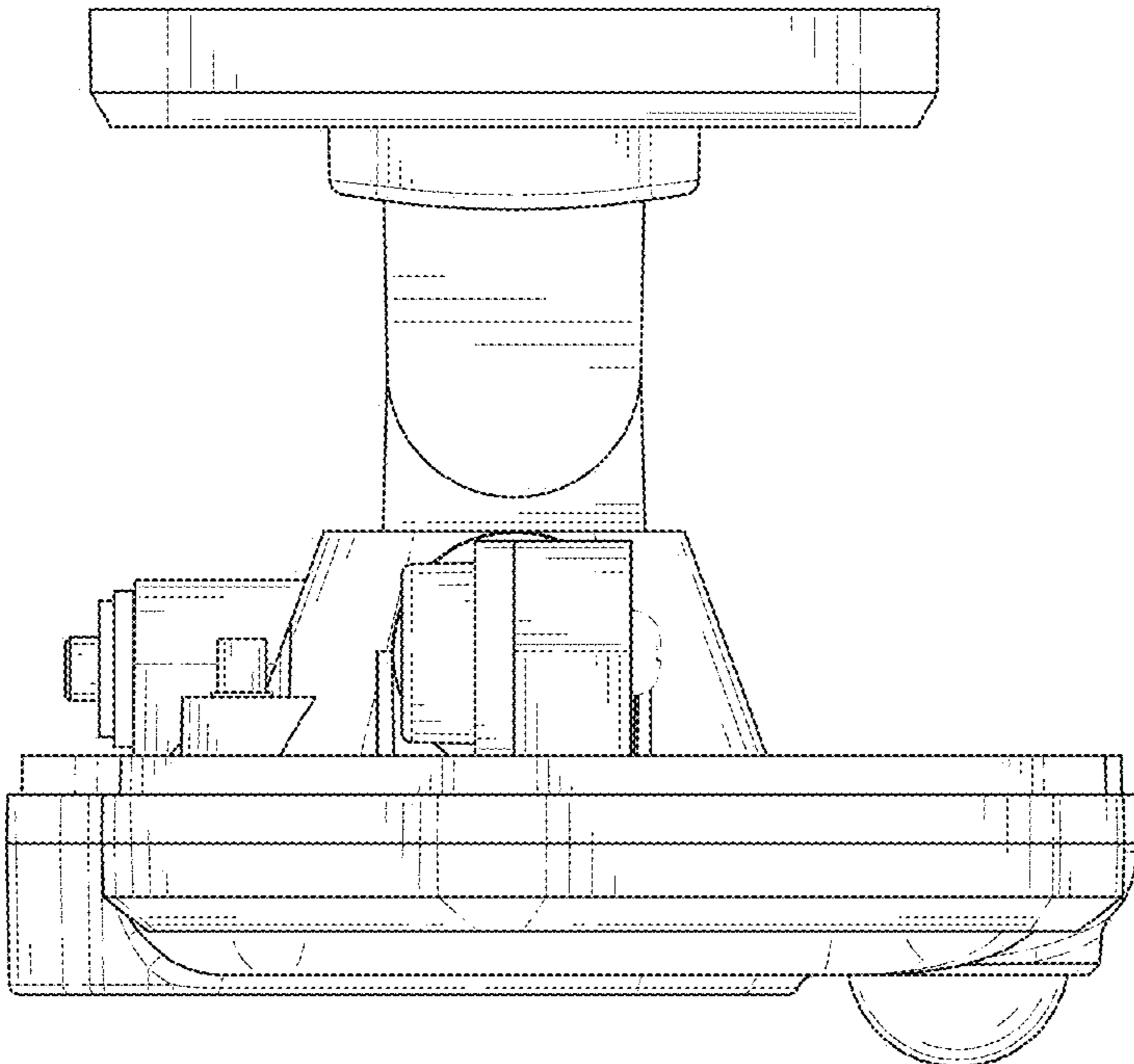


FIG. 6

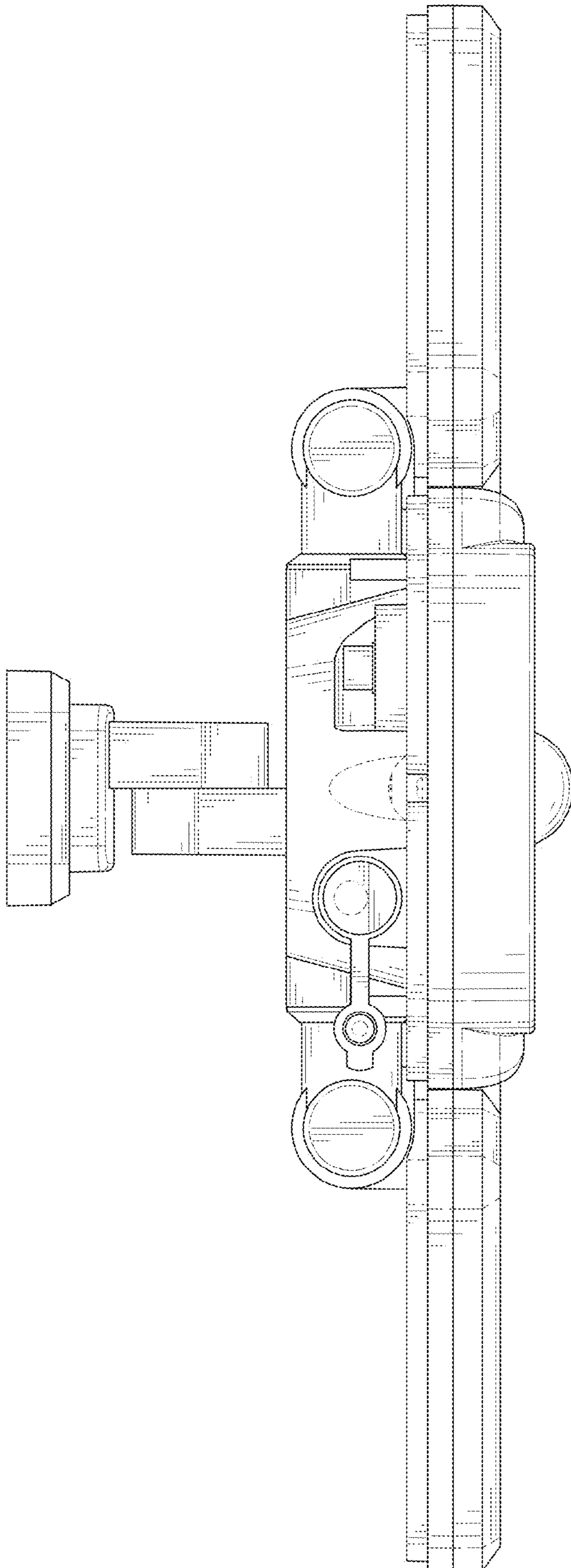


FIG. 7

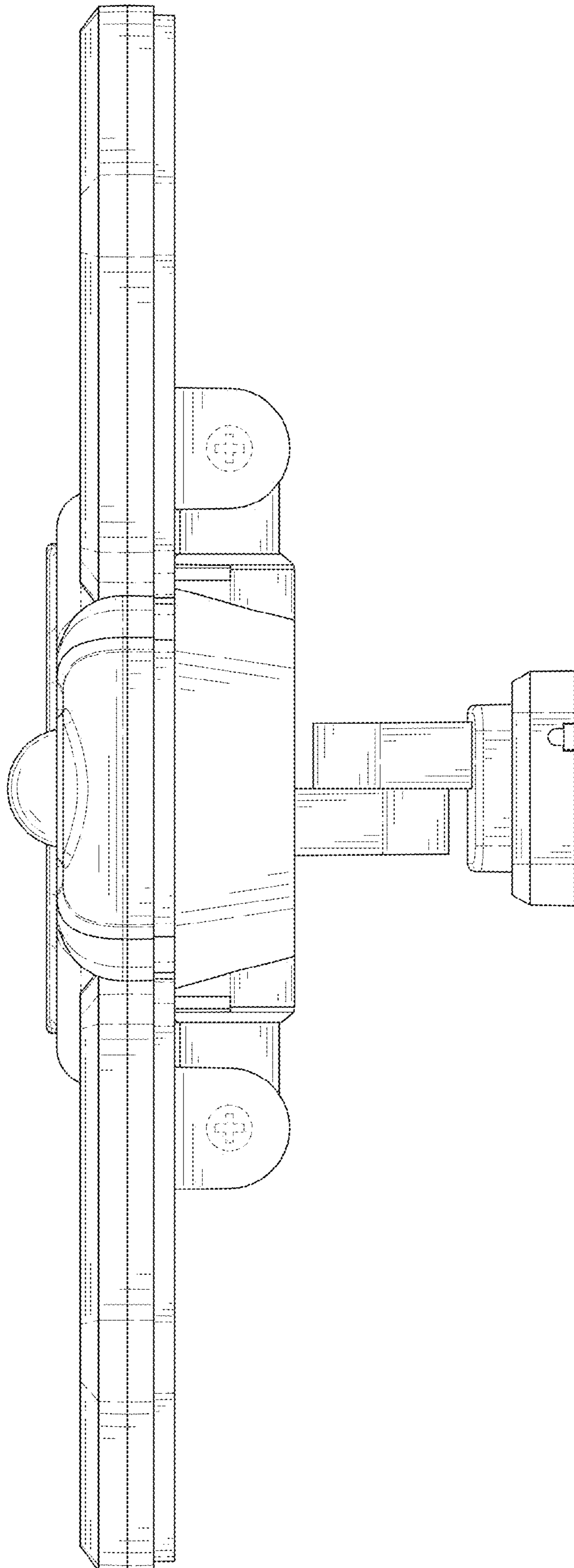


FIG. 8