



US00D955023S

(12) **United States Design Patent**
Huang

(10) **Patent No.:** **US D955,023 S**
(45) **Date of Patent:** **** Jun. 14, 2022**

(54) **CLIP LAMP**

(71) Applicant: **Le Huang**, Guangdong (CN)

(72) Inventor: **Le Huang**, Guangdong (CN)

(**) Term: **15 Years**

(21) Appl. No.: **29/784,031**

(22) Filed: **May 17, 2021**

(51) **LOC (13) Cl.** **26-05**

(52) **U.S. Cl.**
USPC **D26/60**

(58) **Field of Classification Search**
USPC D26/24, 36, 38, 40, 44, 50, 51, 60, 61,
D26/63, 66, 93, 104, 106, 107, 108, 119,
D26/123, 124; D16/237, 244;
D10/104.1, 111, 114.2, 114.5, 114.8
CPC F21S 6/00; F21S 6/002; F21S 6/003; F21S
6/004; F21S 6/005; F21S 6/006; F21S
8/00; F21S 8/035; F21S 8/036; F21S
8/043; F21S 10/00; F21S 10/06; F21S
10/063; F21S 13/00; F21S 13/14; F21S
4/00; F21S 4/15; F21W 2131/30; F21V
21/08
See application file for complete search history.

(56) **References Cited**

U.S. PATENT DOCUMENTS

D121,503 S *	7/1940	Bahr	D26/36
D182,994 S *	6/1958	Freeman	D10/114.8
D214,253 S *	5/1969	Sonneman	D26/104
D376,665 S *	12/1996	Chan	D26/63
5,765,793 A *	6/1998	Yu	F21V 21/08 362/396
D415,805 S *	10/1999	Wygonik	D16/244
D529,651 S *	10/2006	Chan	D26/62
D617,930 S *	6/2010	Chen	D26/63
D670,845 S *	11/2012	Hsu	D26/62
D698,984 S *	2/2014	Meise	D26/93

D791,381 S *	7/2017	Chang	D26/63
9,857,061 B1 *	1/2018	Deng	F21V 15/01
D810,349 S *	2/2018	Sempé '	D26/104
D814,090 S *	3/2018	Deng	D26/63
D829,355 S *	9/2018	Li	D26/62
D870,942 S	12/2019	Yang	
D890,974 S *	7/2020	Huang	D26/63
D896,302 S *	9/2020	Chen	D16/244
D917,605 S *	4/2021	Shen	D16/244
D931,515 S *	9/2021	Zhang	D26/63
D946,199 S *	3/2022	Cai	D26/93
D946,804 S *	3/2022	Xia	D26/106
D946,812 S *	3/2022	Lin	D26/106
D948,098 S *	4/2022	Yan	D26/63

* cited by examiner

Primary Examiner — Wan Laymon

Assistant Examiner — Clint A Samuel

(74) *Attorney, Agent, or Firm* — ScienBiziP, P.C.

(57) **CLAIM**

The ornamental design for a clip lamp, as shown and described.

DESCRIPTION

FIG. 1 is a front, right, and top perspective view of a clip lamp, showing my design.

FIG. 2 is a rear, left, and bottom perspective view thereof.

FIG. 3 is a front elevation view thereof.

FIG. 4 is a rear elevation view thereof.

FIG. 5 is a left side elevation view thereof.

FIG. 6 is a right side elevation view thereof.

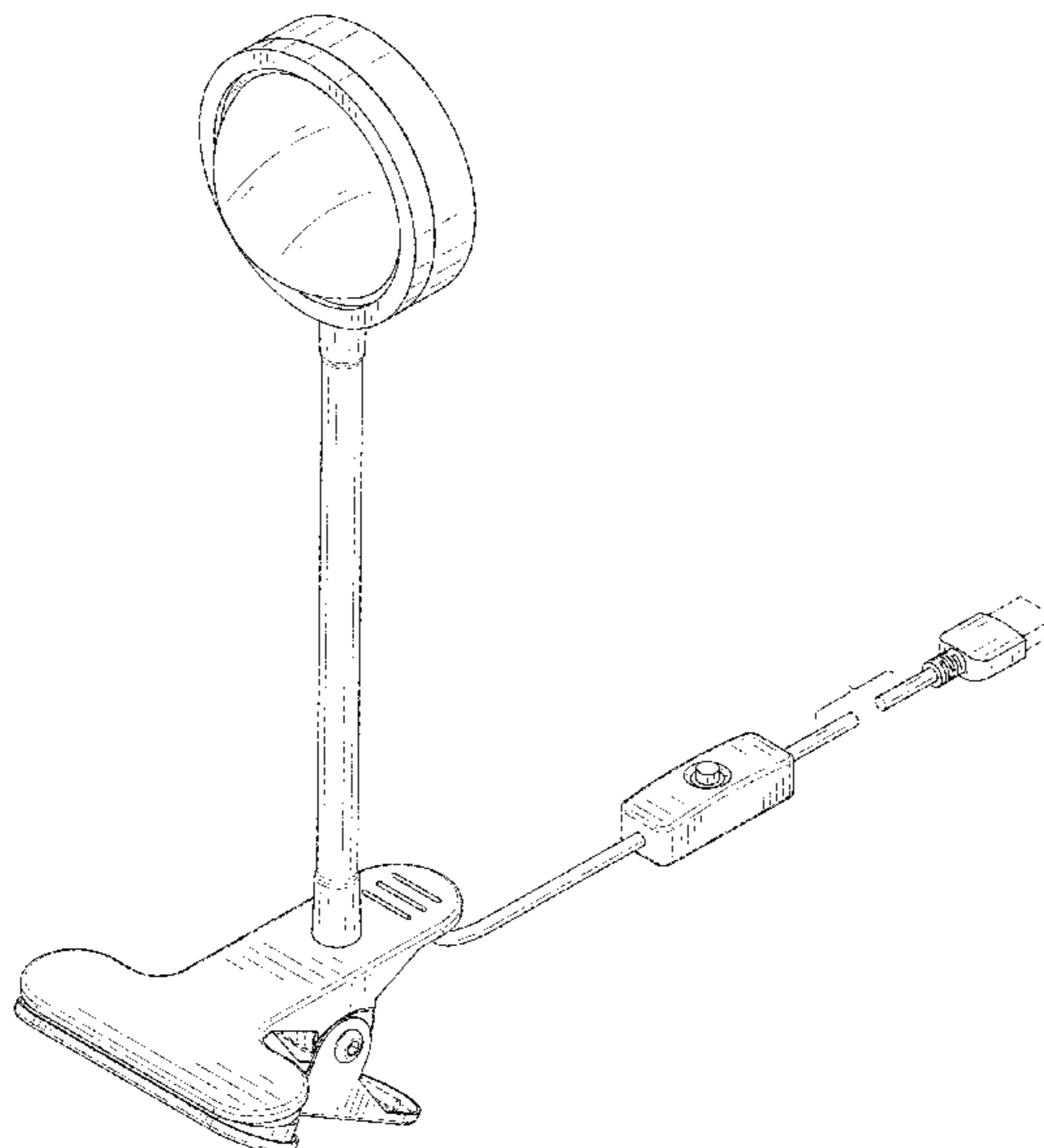
FIG. 7 is a top plan view thereof; and,

FIG. 8 is a bottom plan view thereof.

The clip lamp is shown with a symbolic break in its length. The appearance of any portion of the article between the break lines forms no part of the claimed design.

The broken lines shown in the drawings are included for the purpose of illustrating portions of the clip lamp that form no part of the claimed design.

1 Claim, 8 Drawing Sheets



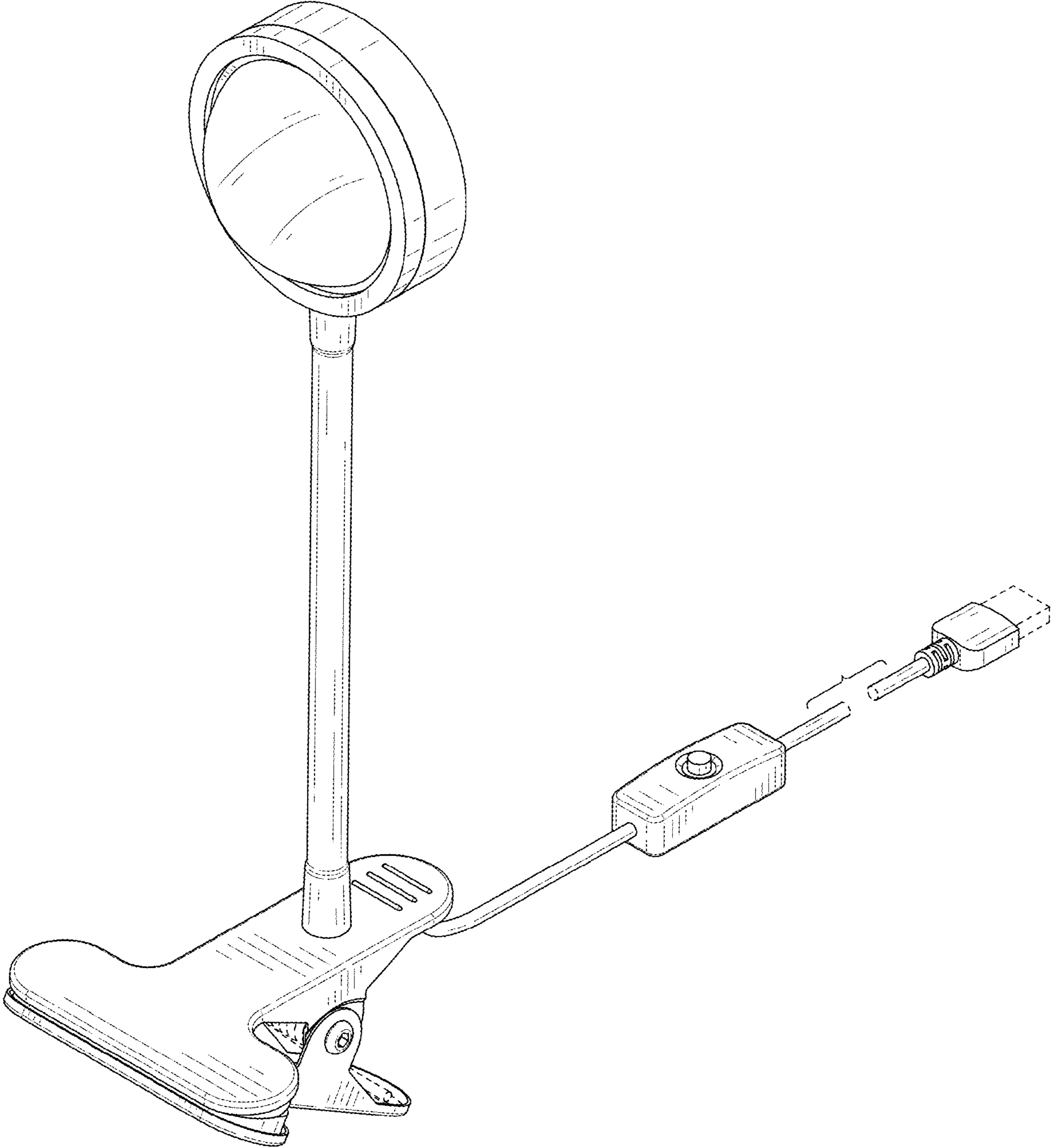


FIG. 1

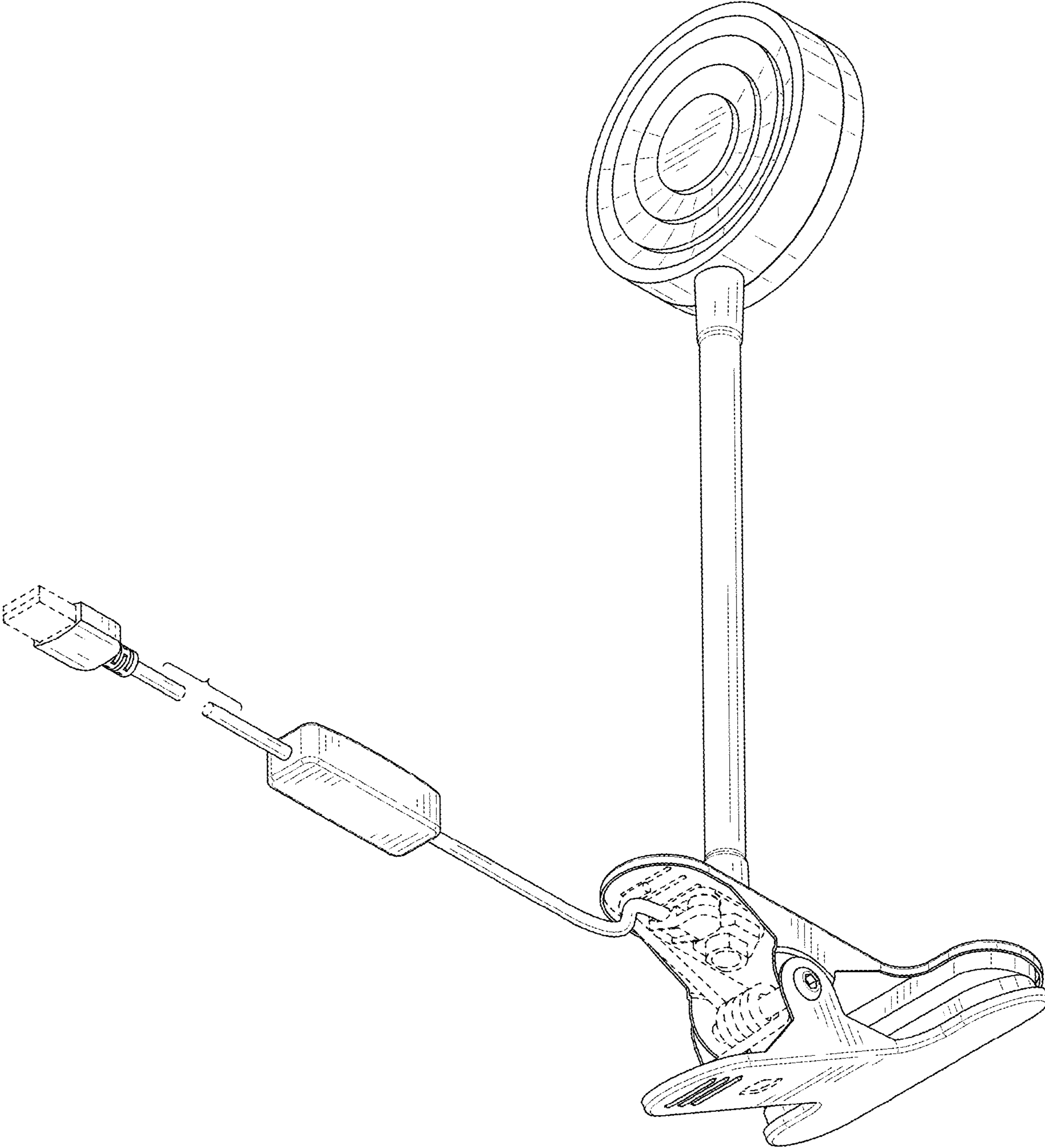


FIG. 2

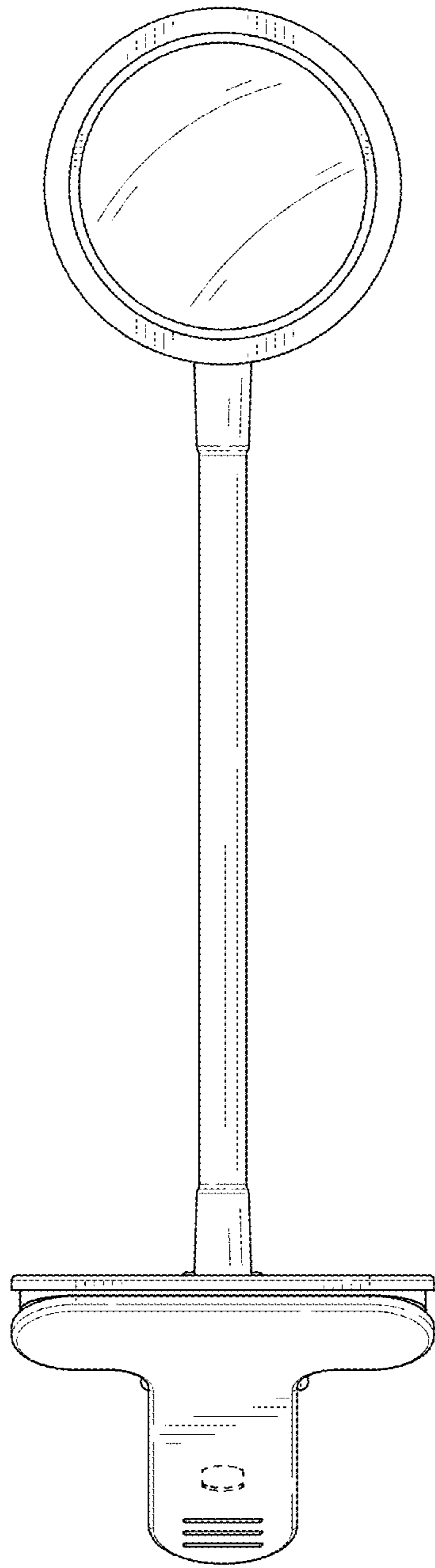


FIG. 3

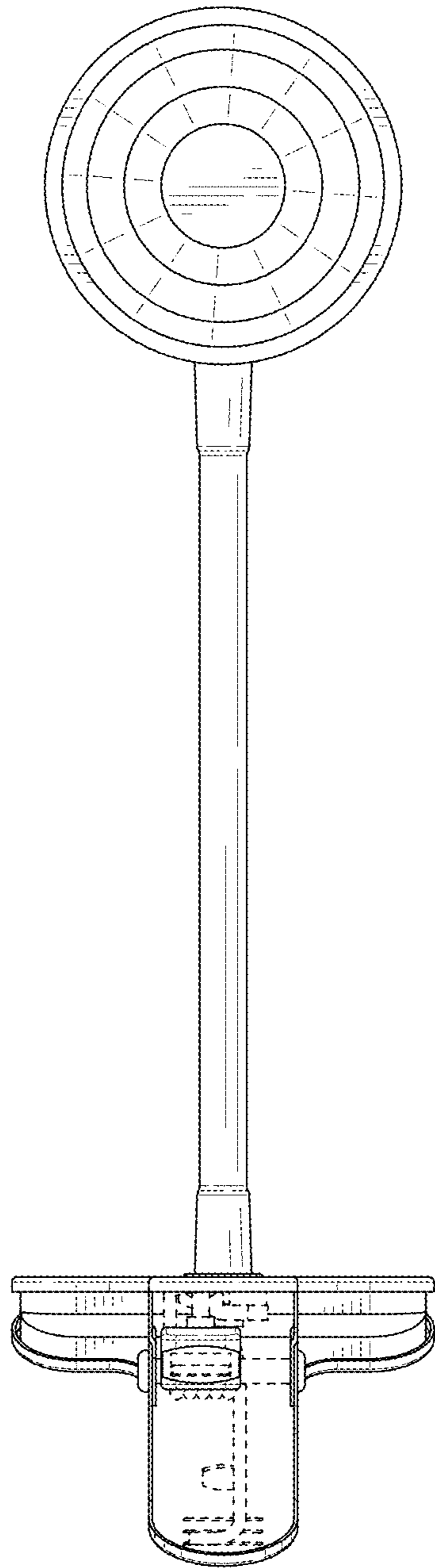


FIG. 4

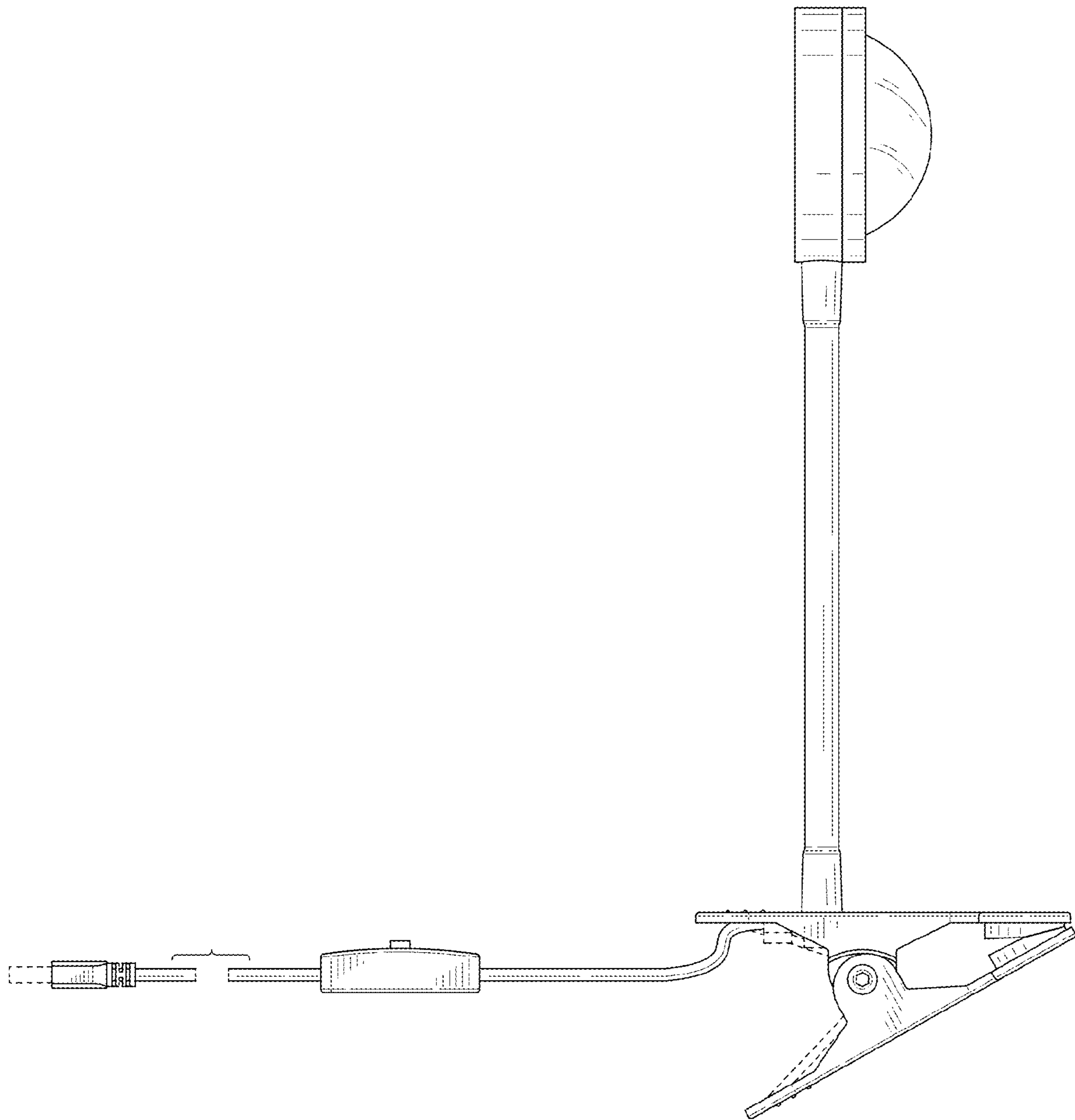


FIG. 5

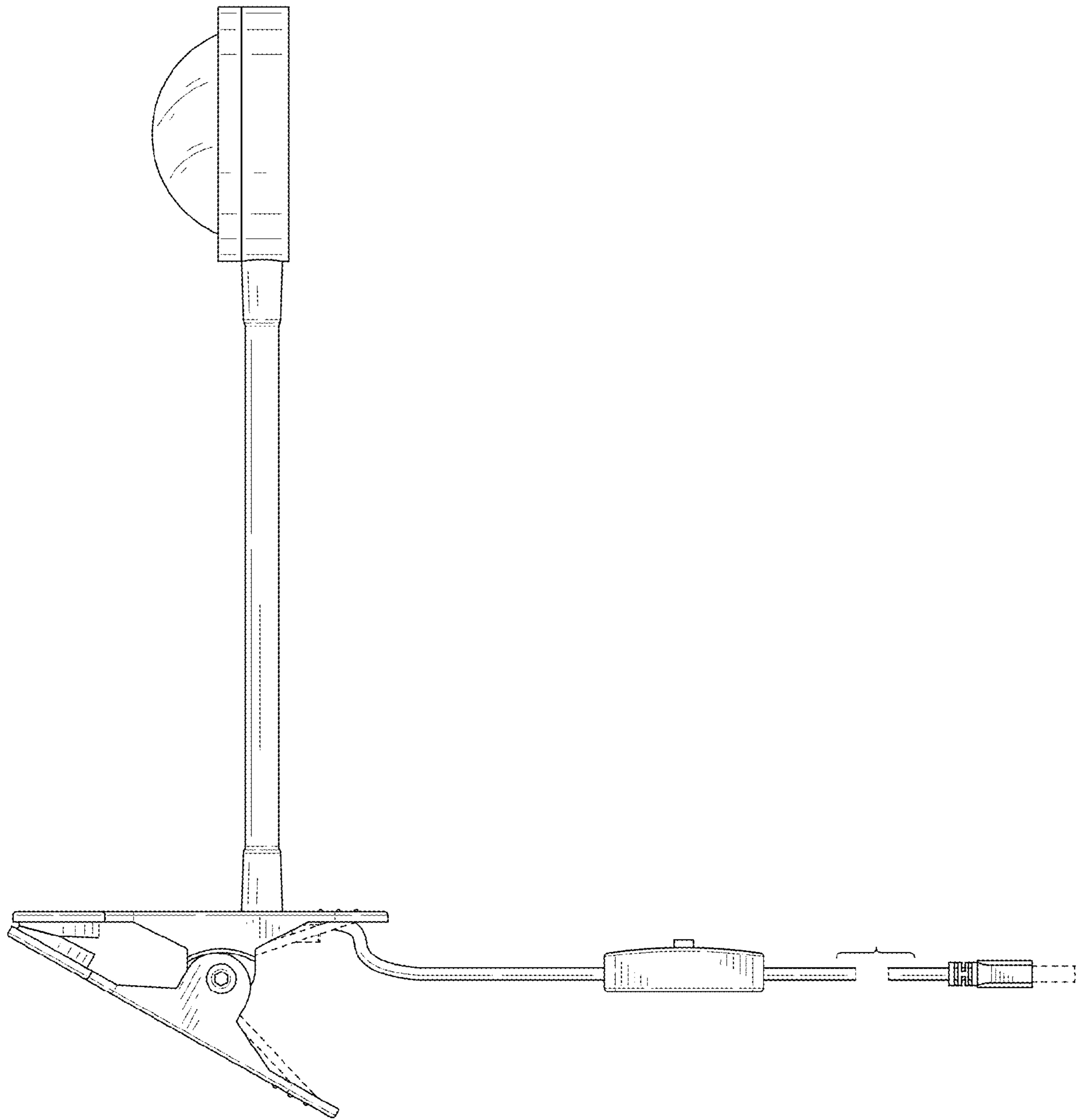


FIG. 6

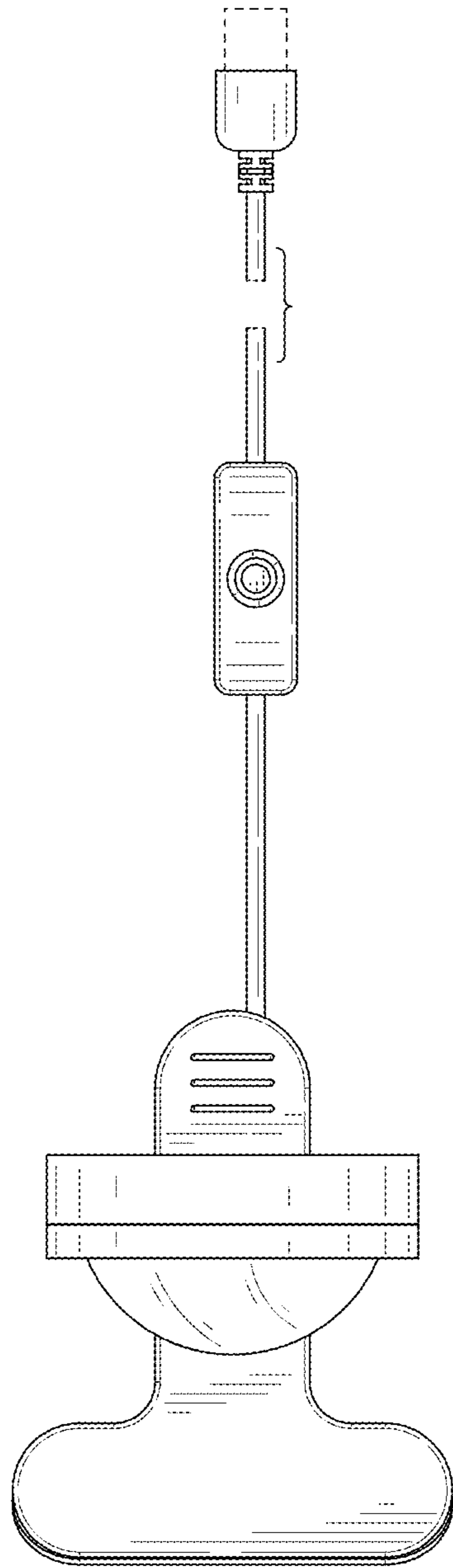


FIG. 7

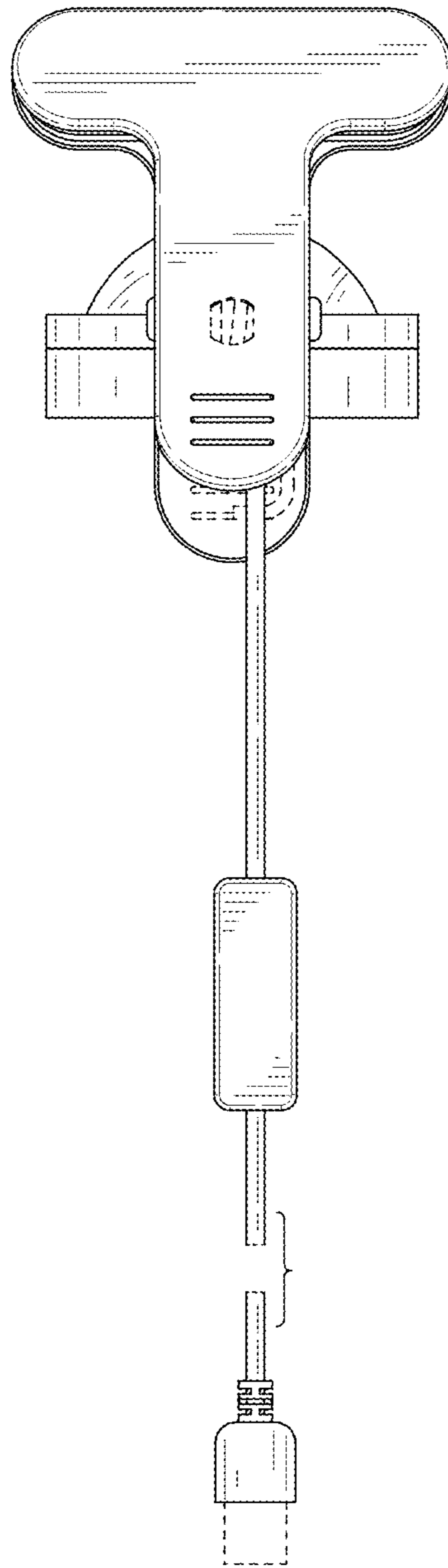


FIG. 8