



US00D955022S

(12) **United States Design Patent** (10) **Patent No.:** **US D955,022 S**  
**Zeng** (45) **Date of Patent:** **\*\* Jun. 14, 2022**

(54) **LED MAKEUP MIRROR**  
(71) Applicant: **Rensong Zeng**, Shenzhen (CN)  
(72) Inventor: **Rensong Zeng**, Shenzhen (CN)  
(\*\*) Term: **15 Years**  
(21) Appl. No.: **29/691,220**  
(22) Filed: **May 14, 2019**  
(51) **LOC (13) Cl.** ..... **D26-05**  
(52) **U.S. Cl.**  
USPC ..... **D26/56; D6/309**  
(58) **Field of Classification Search**  
USPC ..... D26/24, 37-52, 56, 60-61, 63, 93,  
D26/104-106, 113, 118-120, 138;  
D6/300, 308-309; D28/4, 9  
CPC ..... F21V 33/004; F21V 3/049; F21V 21/29;  
F21V 23/0492; F21V 33/0016; F21V  
33/006; F21V 33/0084; F21V 9/02; F21V  
9/40; F21V 23/003; F21V 23/02; F21V  
23/0464; F21V 23/0471; F21V 33/0056;  
F21V 7/0075; A47G 1/02; A47G 1/0622;  
A47G 2200/08; A47G 1/0616; A47G  
2200/085; A47G 2200/143; A45D 33/008;  
F21W 2131/302  
See application file for complete search history.

D894,615 S \* 9/2020 Yang ..... D6/309  
D895,305 S \* 9/2020 Yang ..... D6/309  
D895,986 S \* 9/2020 Yang ..... D6/312  
(Continued)

**OTHER PUBLICATIONS**

Makeup Mirror Vanity Mirror With Lights. By HORM. Dated Sep. 9, 2021. Found online [Dec. 16, 2021]. <https://www.amazon.com/Makeup-Mirror-Vanity-Lights-Magnification/dp/B09FSRSJK8> (Year: 2021).\*

(Continued)

*Primary Examiner* — Marissa J Cash  
*Assistant Examiner* — William B Melliar  
(74) *Attorney, Agent, or Firm* — Andrew C. Cheng

(57) **CLAIM**

The ornamental design for an LED makeup mirror, as shown and described.

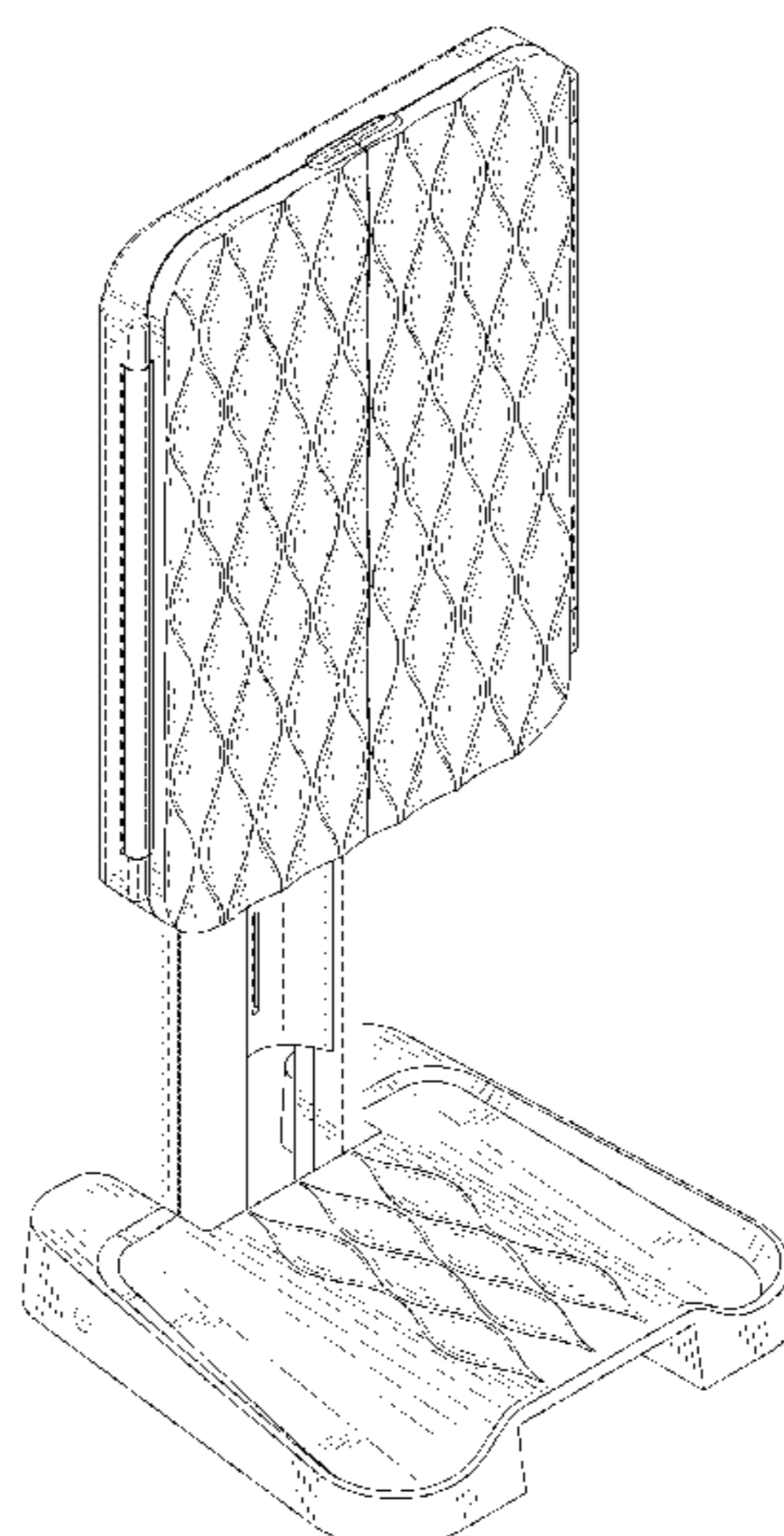
**DESCRIPTION**

FIG. 1 is a first perspective view of an LED makeup mirror showing my new design;  
FIG. 2 is a second perspective view thereof;  
FIG. 3 is a front elevational view thereof;  
FIG. 4 is a rear elevational view thereof;  
FIG. 5 is a left elevational view thereof;  
FIG. 6 is a right elevational view thereof;  
FIG. 7 is a top plan view thereof;  
FIG. 8 is a bottom plan view thereof;  
FIG. 9 is a perspective view of the LED makeup mirror shown in an alternate configuration of use with two covers totally unfolded thereof; and,  
FIG. 10 is a perspective view of the LED makeup mirror shown in an alternate configuration of use with two covers angularly unfolded thereof.  
The broken lines in the drawings illustrate portions of the LED makeup mirror which form no part of the claimed design.

(56) **References Cited**  
U.S. PATENT DOCUMENTS

D454,701 S \* 3/2002 Eric ..... D6/308  
D524,469 S \* 7/2006 Pitot ..... D26/37  
D589,267 S \* 3/2009 Pitot ..... D6/308  
D776,316 S \* 1/2017 Kim ..... D26/51  
D807,649 S \* 1/2018 Zadro ..... D6/312  
D861,356 S \* 10/2019 Zhu ..... D6/310  
D865,374 S \* 11/2019 Yang ..... D6/310  
D874,836 S \* 2/2020 Li ..... D6/312  
D882,965 S \* 5/2020 Liu ..... D6/302  
D891,121 S \* 7/2020 Zhao ..... D6/308  
D894,614 S \* 9/2020 Chen ..... D6/309

**1 Claim, 10 Drawing Sheets**



(56)

**References Cited**

U.S. PATENT DOCUMENTS

D897,695 S \* 10/2020 Yang ..... D6/309  
D897,696 S \* 10/2020 Zhou ..... D6/310  
D898,383 S \* 10/2020 Zhou ..... D6/308  
D898,386 S \* 10/2020 Huang ..... D6/309  
D898,387 S \* 10/2020 Yang ..... D6/309  
D901,908 S \* 11/2020 Zhao ..... D6/309  
D922,778 S \* 6/2021 Liang ..... D6/301  
D924,456 S \* 7/2021 Zhao ..... D26/56  
2019/0328113 A1\* 10/2019 Long ..... A45D 42/16

OTHER PUBLICATIONS

Trifold Lighted LED Makeup Mirror. By Ascendie. Dated Mar. 26, 2021. Found online [Dec. 16, 2021]. <https://www.walmart.com/ip/Trifold-Lighted-LED-Makeup-Mirror-with-Bonus-10x-Mirror-by-Ascendie/644615645> (Year: 2021).\*

\* cited by examiner

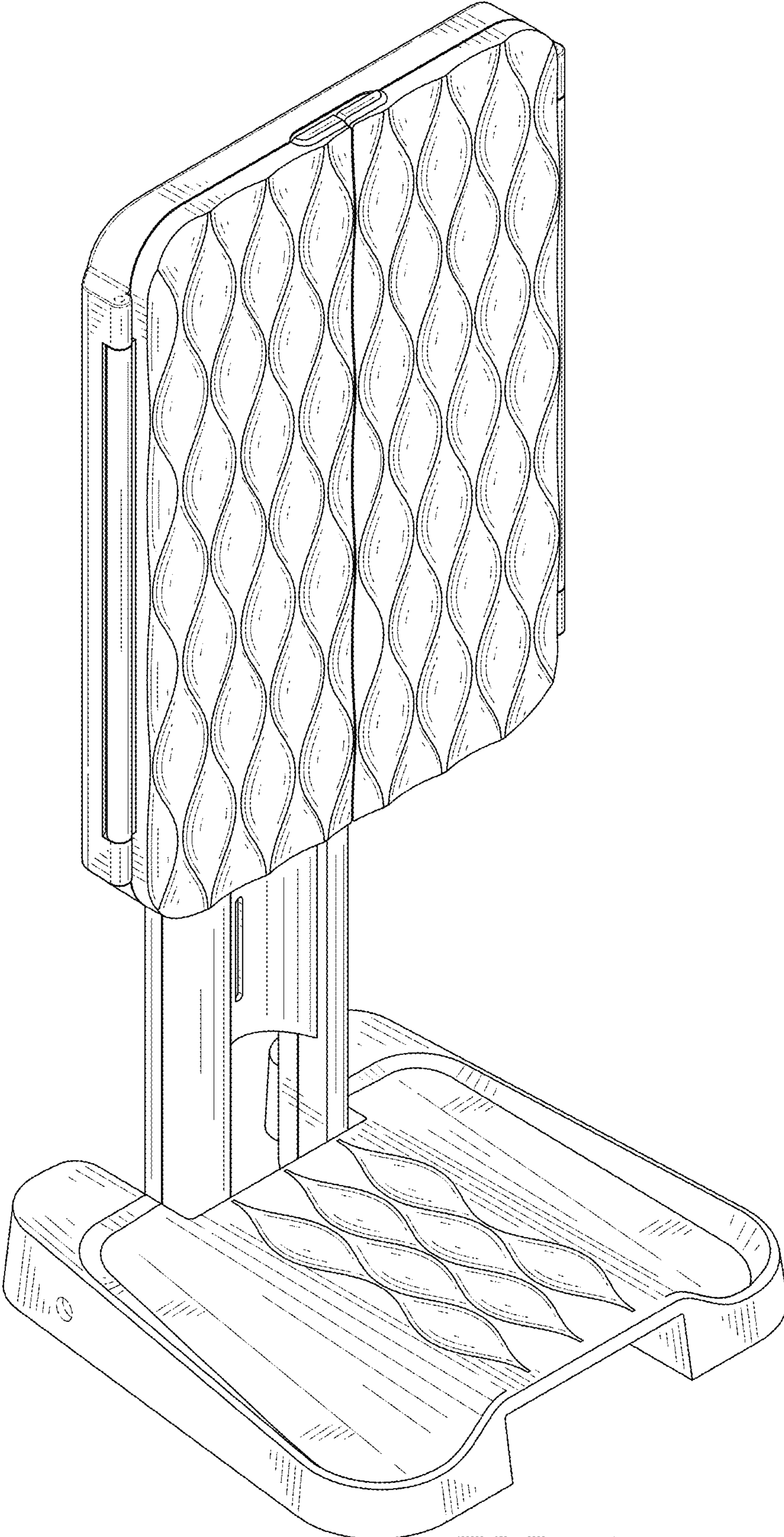


FIG. 1

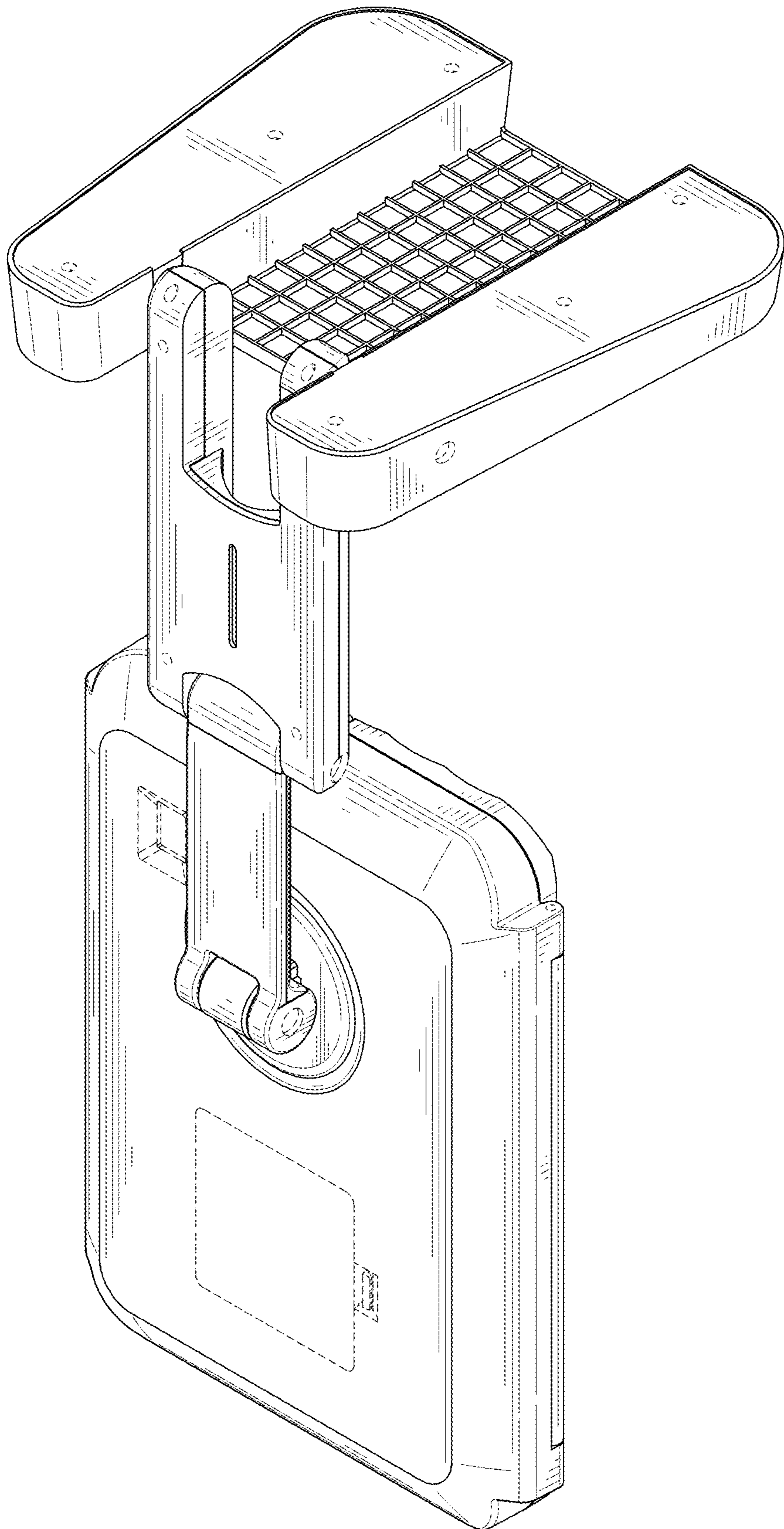


FIG. 2

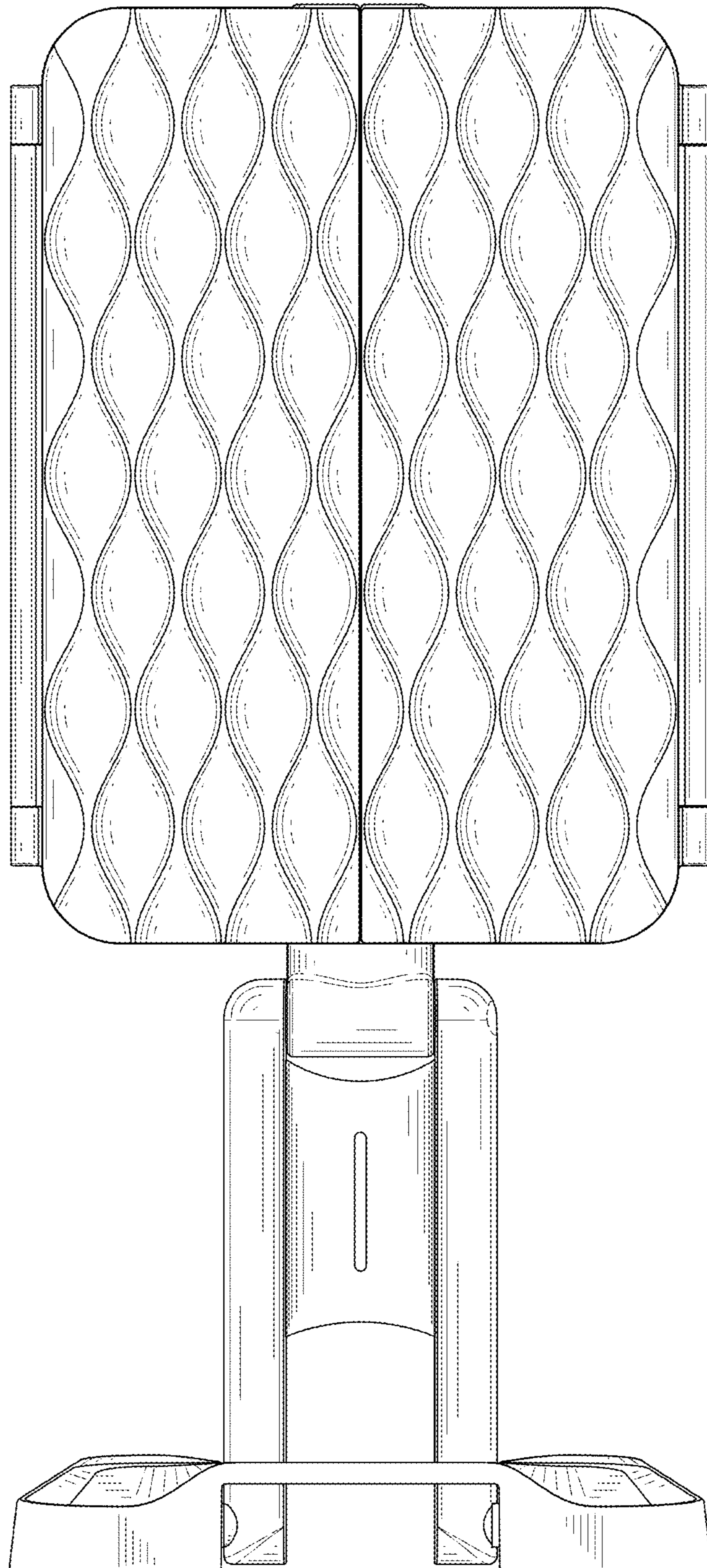


FIG. 3

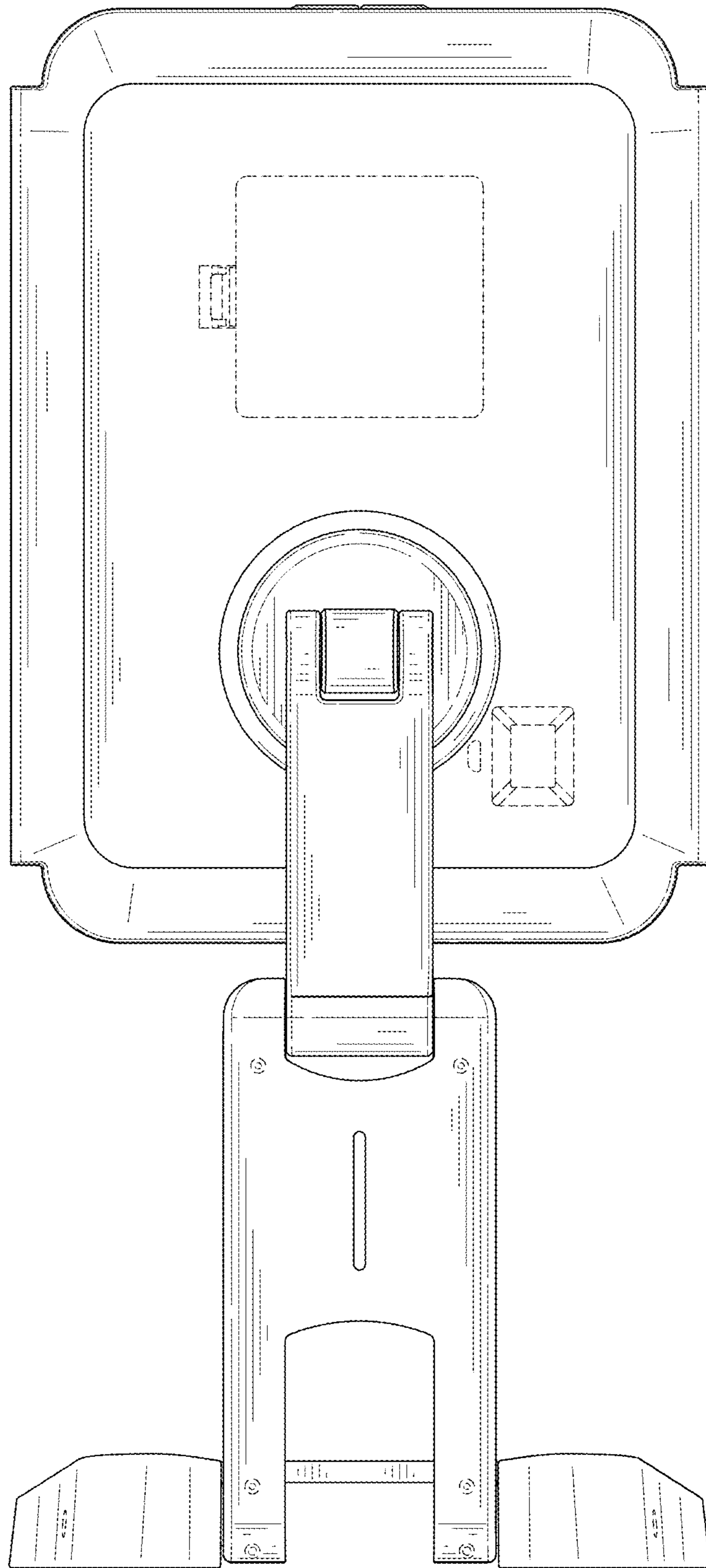


FIG. 4

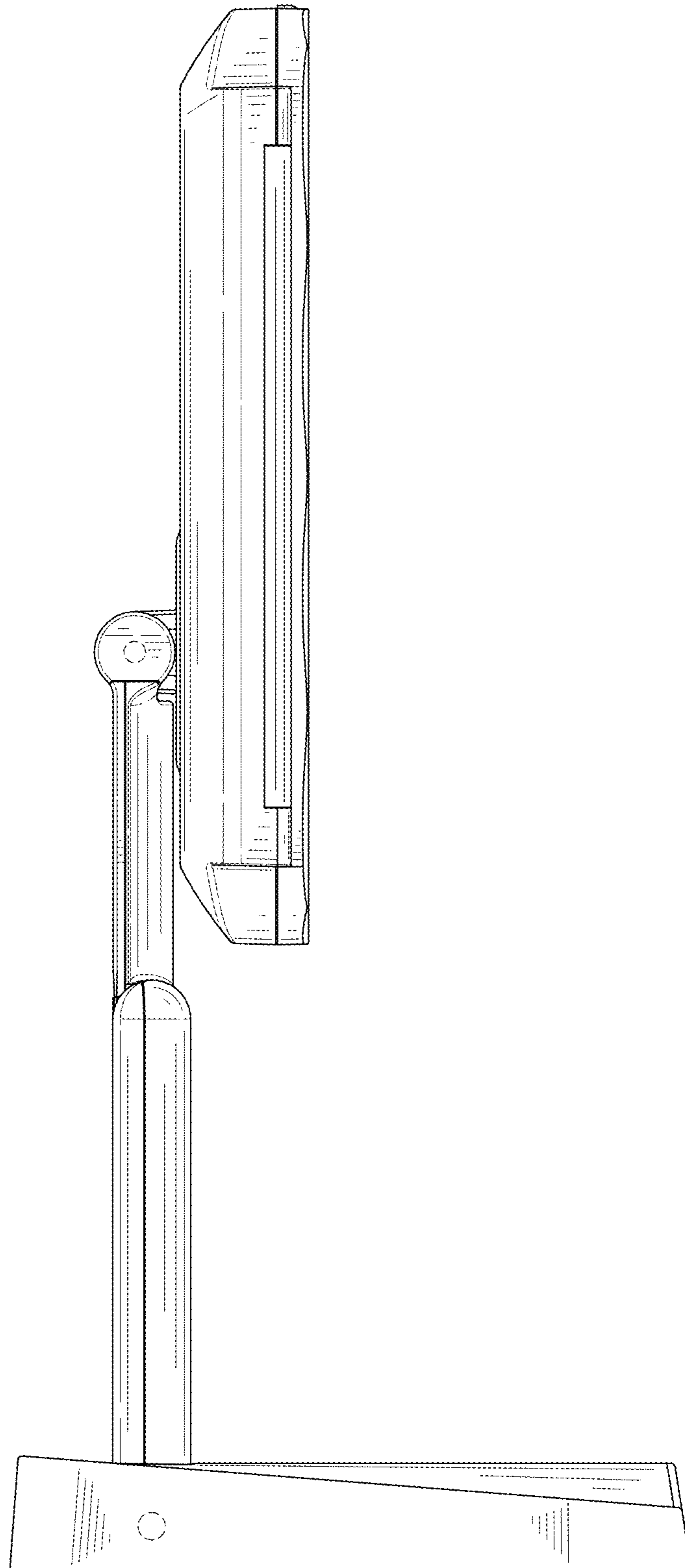


FIG. 5

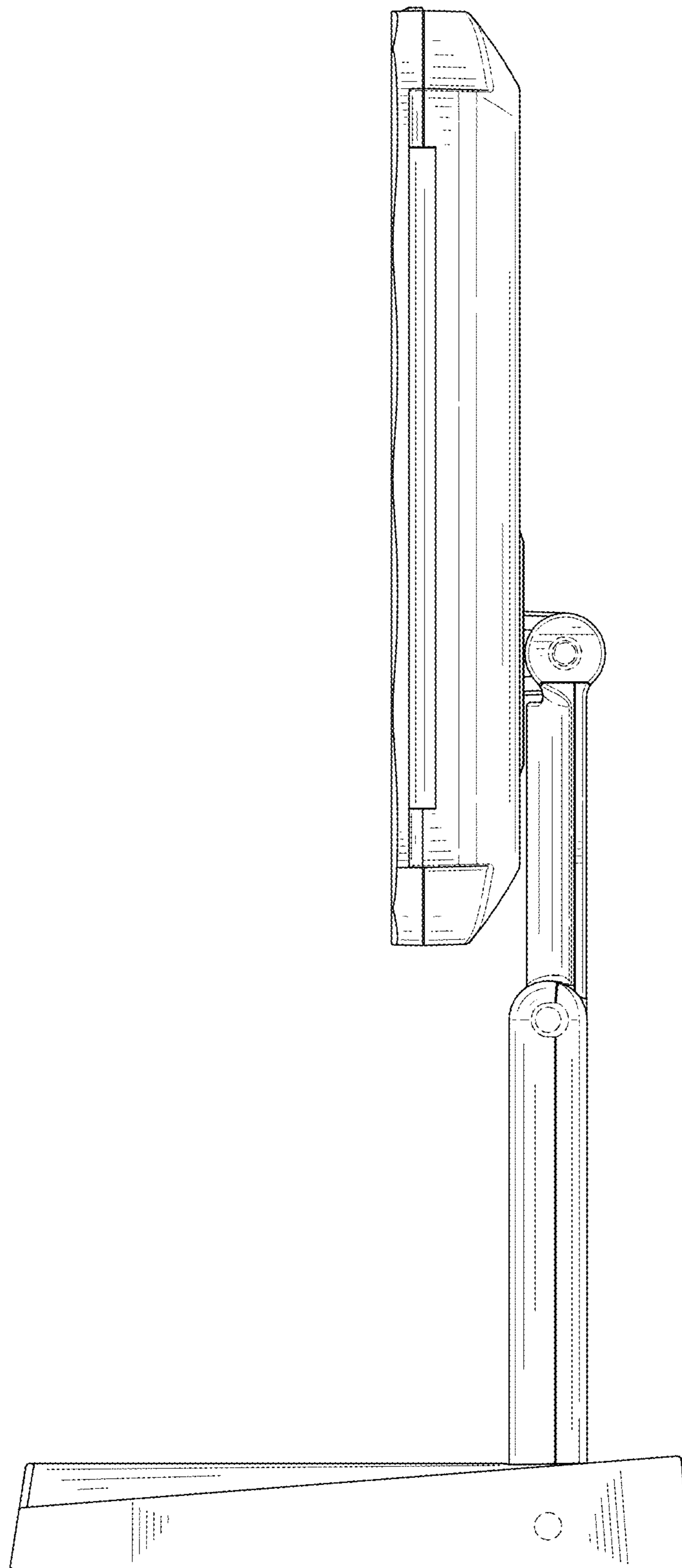


FIG. 6



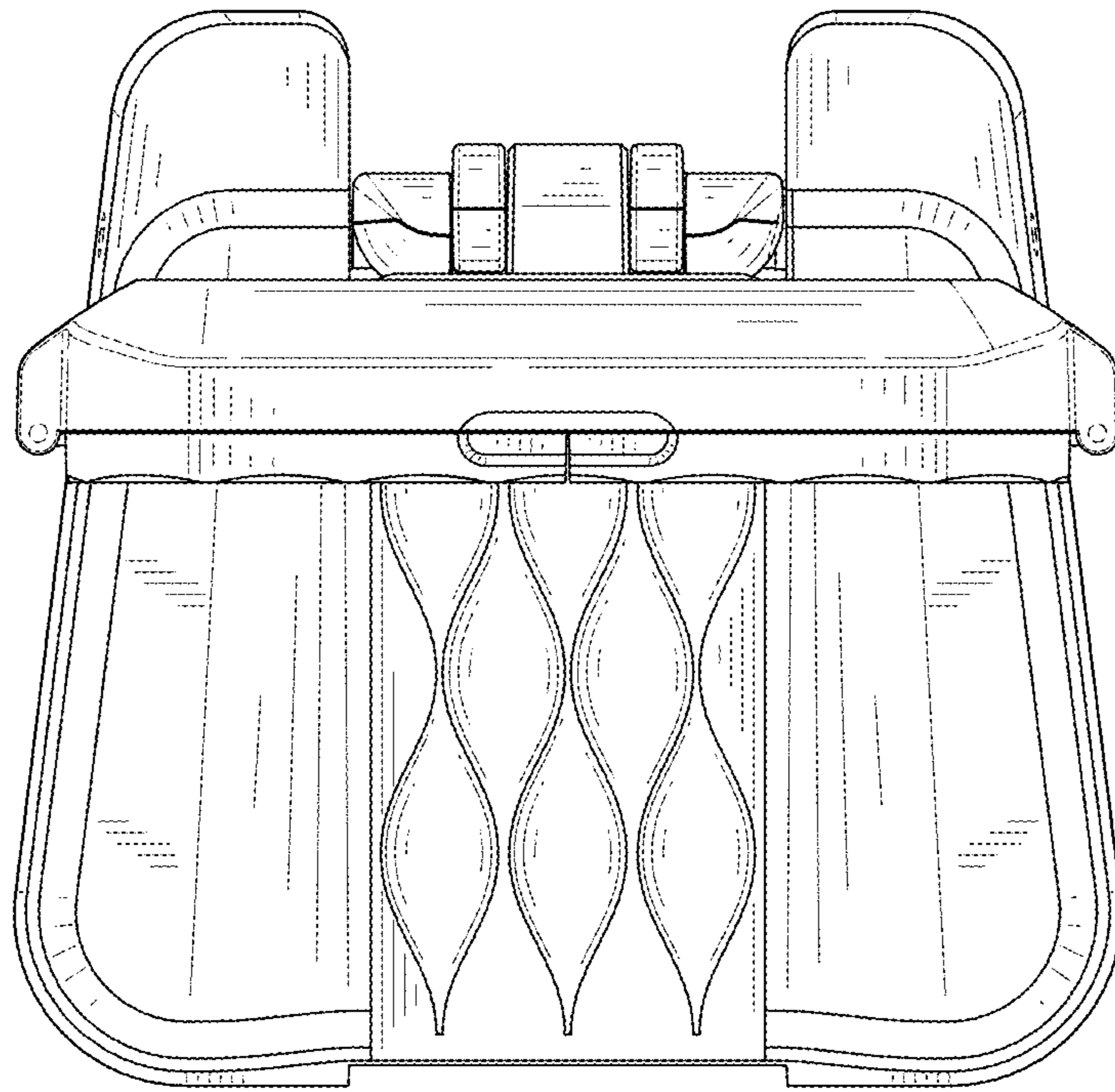


FIG. 7

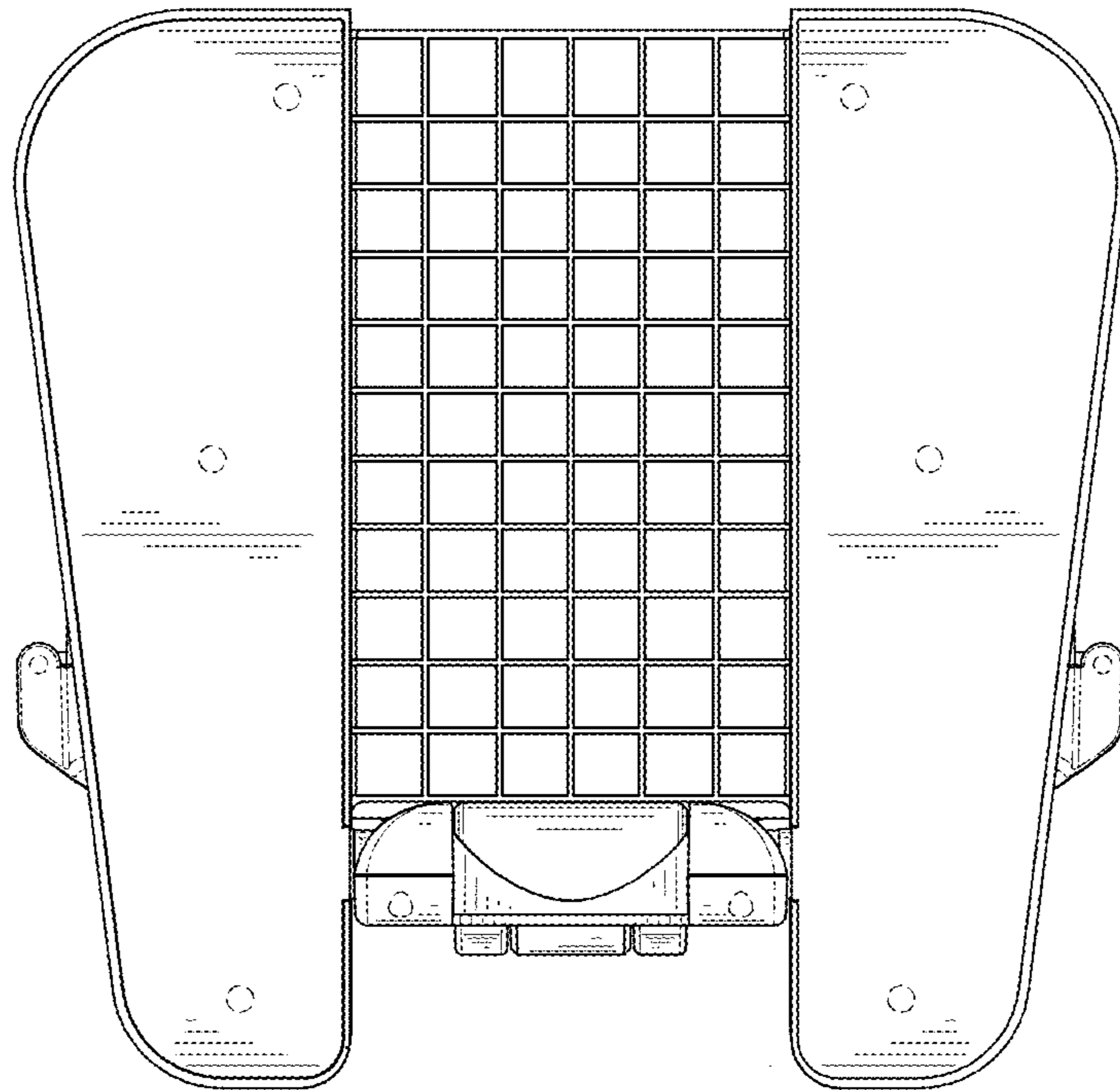


FIG. 8

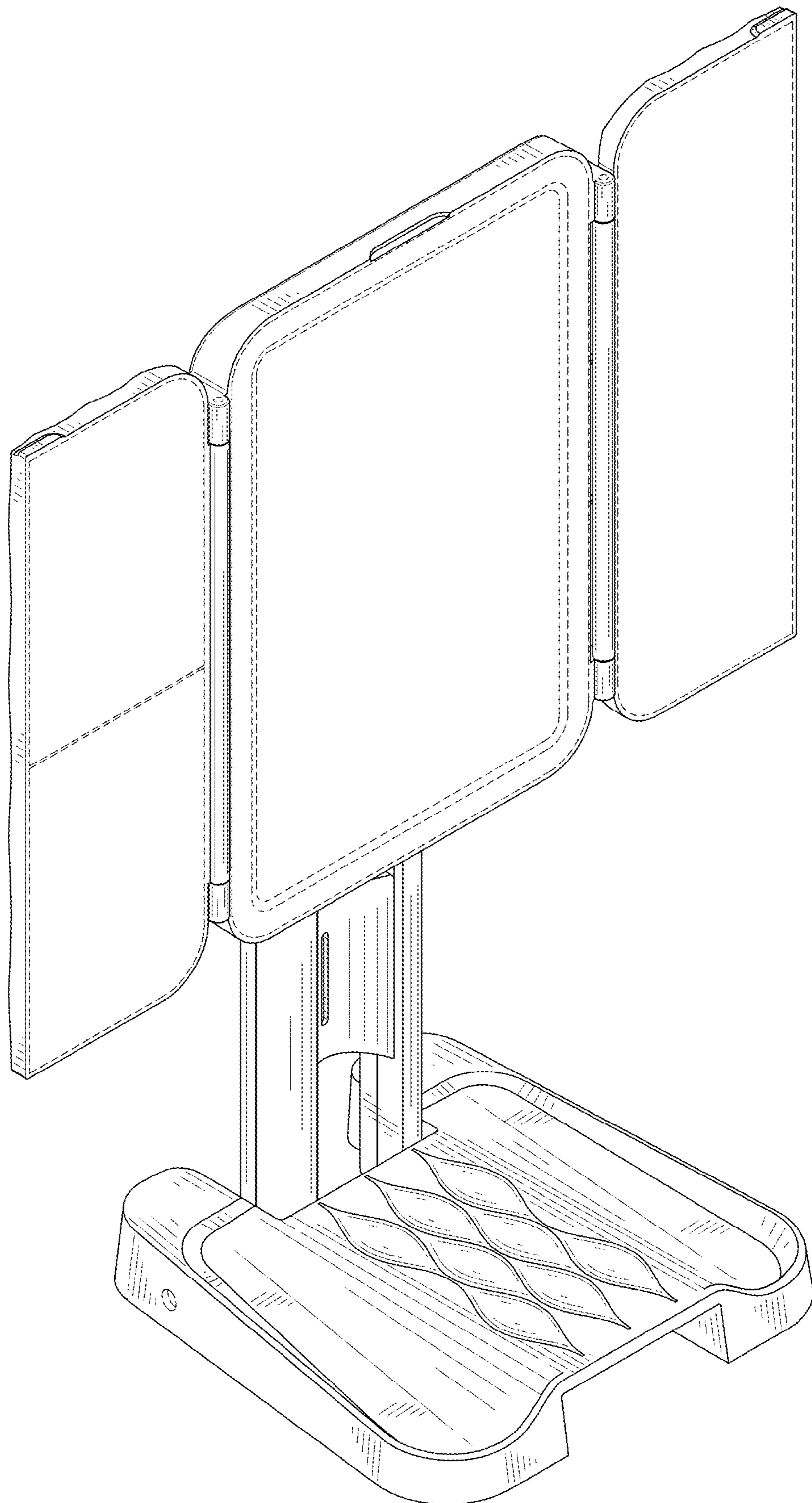


FIG. 9

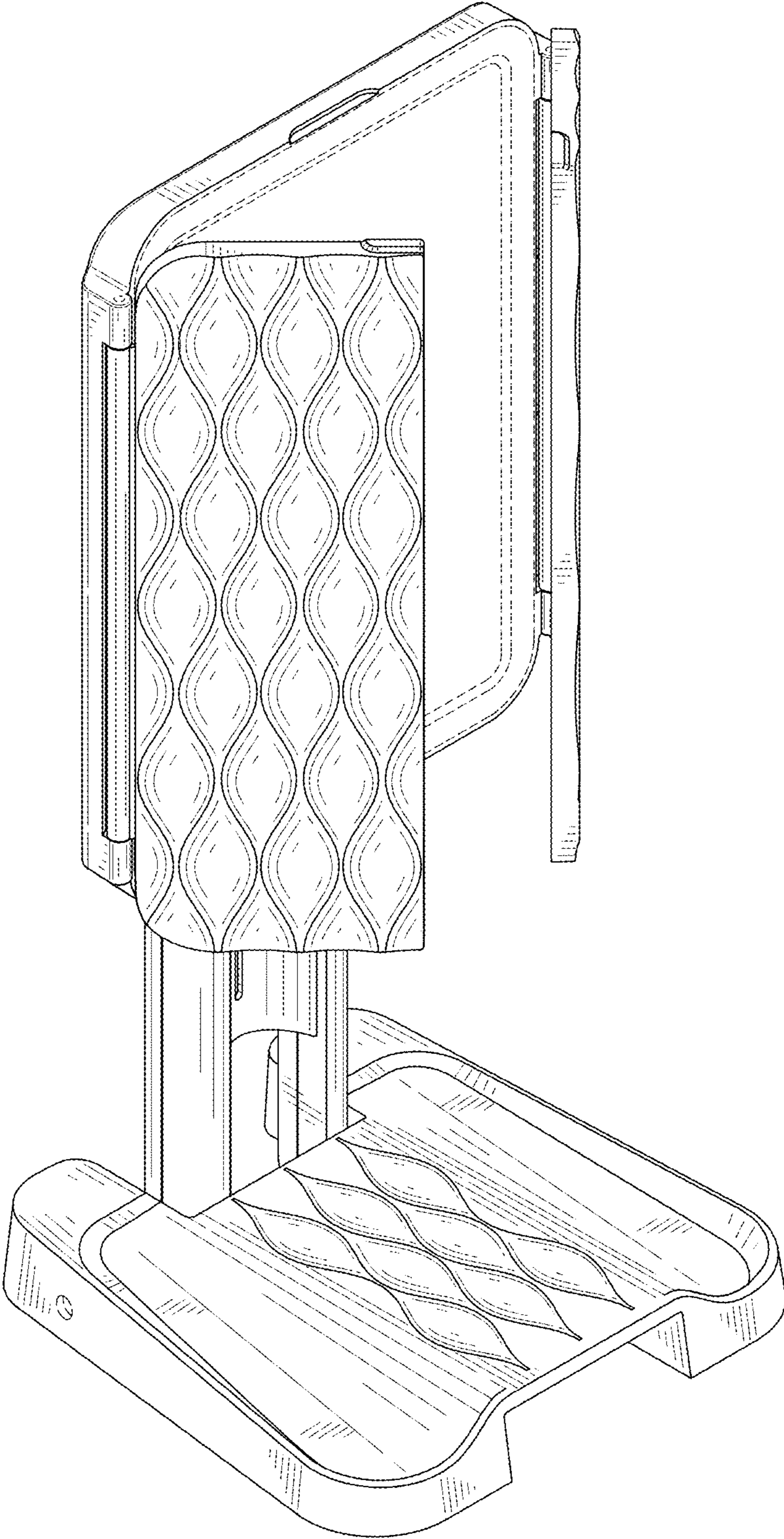


FIG. 10