



US00D955021S

(12) **United States Design Patent** (10) **Patent No.:** **US D955,021 S**
Van Doorselaer et al. (45) **Date of Patent:** **** *Jun. 14, 2022**

(54) **BEACON LIGHT**
(71) Applicant: **LIND EQUIPMENT LTD.**, Markham (CA)

D725,300 S * 3/2015 Dalton D26/40
D729,428 S * 5/2015 Shen D26/41
D738,553 S * 9/2015 Fletcher D26/41
D809,689 S * 2/2018 Marshall D26/41
D809,690 S * 2/2018 Marshall D26/41

(Continued)

(72) Inventors: **Sean Van Doorselaer**, Toronto (CA);
Brian Astl, Toronto (CA); **Yi Bian**,
Toronto (CA)

FOREIGN PATENT DOCUMENTS

(73) Assignee: **LIND EQUIPMENT LTD.**, Markham (CA)

CN 304054286 * 2/2017
CN 305063545 * 3/2019

(*) Notice: This patent is subject to a terminal disclaimer.

OTHER PUBLICATIONS

(**) Term: **15 Years**

Lind Equipment Data Sheet Beacon360 Spark LR <https://static1.squarespace.com/static/5978e7ba3e00be7250d9f31d/t/5e73ba0e74196248200278aa/1584642581507/Lind+Equipment+Data+Sheet++++Beacon360+Spark+LR.pdf> 2018 (Year: 2018).*

(21) Appl. No.: **29/654,171**

(Continued)

(22) Filed: **Jun. 21, 2018**

Primary Examiner — Leanne Was-Englehart

(51) **LOC (13) Cl.** **26-05**

(57) **CLAIM**

(52) **U.S. Cl.**

The ornamental design for a beacon light, as shown and described.

USPC **D26/51**; D26/40

(58) **Field of Classification Search**

DESCRIPTION

USPC D26/37-51, 72, 80, 81, 84; D10/114.2
CPC F21L 2003/00; F21L 4/00; F21L 4/005;
F21L 4/02; F21L 4/025; F21L 4/027;
F21L 4/04; F21L 4/08; F21L 2005/00;
F21L 7/00; F21L 11/00; F21L 13/00;
F21L 13/04; F21L 13/08; F21L 14/02;
F21L 17/00; F21L 19/00; F21L 25/00

FIG. 1 is an isometric front view of a beacon light showing the new design;
FIG. 2 is a front view of the design of FIG. 1;
FIG. 3 is a back view of the design of FIG. 1;
FIG. 4 is a right side view of the design of FIG. 1;
FIG. 5 is a left side view of the design of FIG. 1;
FIG. 6 is a top view of the design of FIG. 1; and,
FIG. 7 is a bottom view of the design of FIG. 1.

See application file for complete search history.

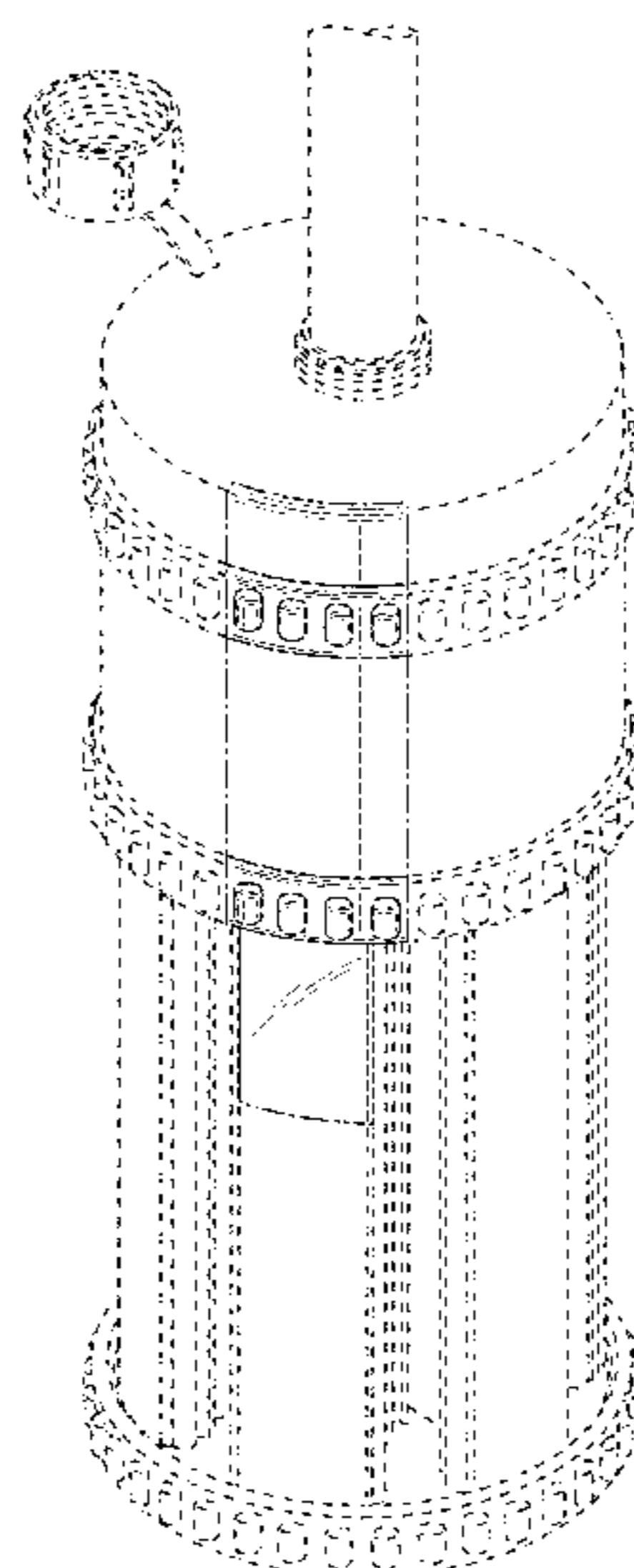
The broken line showing of elements comprised of even length dashes is included for the purpose of illustrating portions of the beacon light and forms no part of the design. The broken lines comprised of alternating shorter and longer dashes in FIGS. 1, 2, 4, and 6 immediately adjacent to the shaded area represent unclaimed boundaries of the design.

(56) **References Cited**

U.S. PATENT DOCUMENTS

D537,967 S * 3/2007 Lo D26/40
D541,961 S * 5/2007 Tarter D26/40
D554,787 S * 11/2007 Shiu D26/49
D611,179 S * 3/2010 Jiang D26/42
D612,966 S * 3/2010 Jiang D26/42
D711,573 S * 8/2014 Payne D26/42
D716,982 S * 11/2014 Corey D26/49

1 Claim, 7 Drawing Sheets



(56)

References Cited

U.S. PATENT DOCUMENTS

D818,620	S	*	5/2018	Brown	D26/41
D823,509	S	*	7/2018	Kunzendorf	D26/49
D831,250	S	*	10/2018	Wu	D26/49
D844,201	S	*	3/2019	Khubani	D26/40
D844,872	S	*	4/2019	Krantz	D26/40
D844,875	S	*	4/2019	Jeon	D26/51
D845,527	S	*	4/2019	Hsu	D26/41
D849,295	S	*	5/2019	Sun	D26/40
D851,796	S	*	6/2019	Quinn	D26/40
D857,283	S	*	8/2019	Hammer	D26/118
D861,941	S	*	10/2019	Hammer	D26/40

OTHER PUBLICATIONS

New LED Jobsite lighting system from Lind Equipment Equipment World <https://www.equipmentworld.com/equipment/article/14970190/new-led-jobsite-lighting-system-from-lind-equipment> Oct. 25, 2018 (Year: 2018).*

* cited by examiner

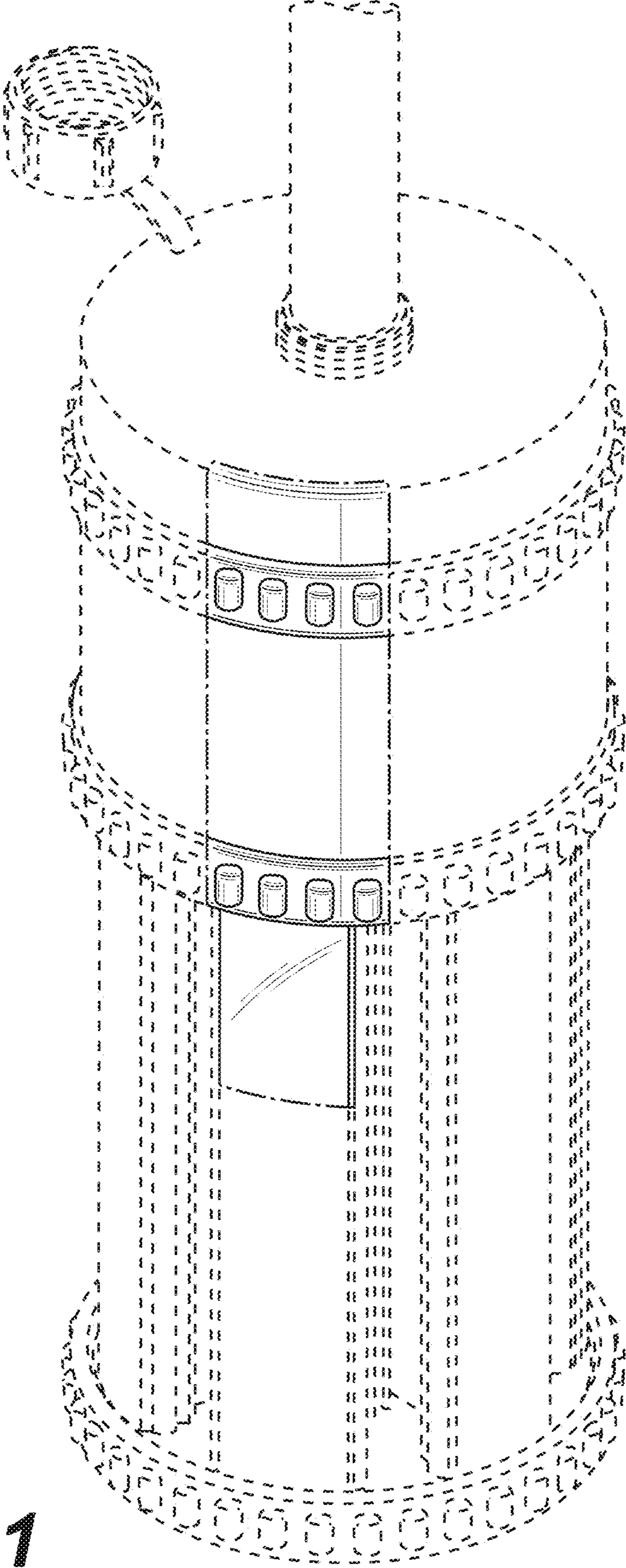


FIG. 1

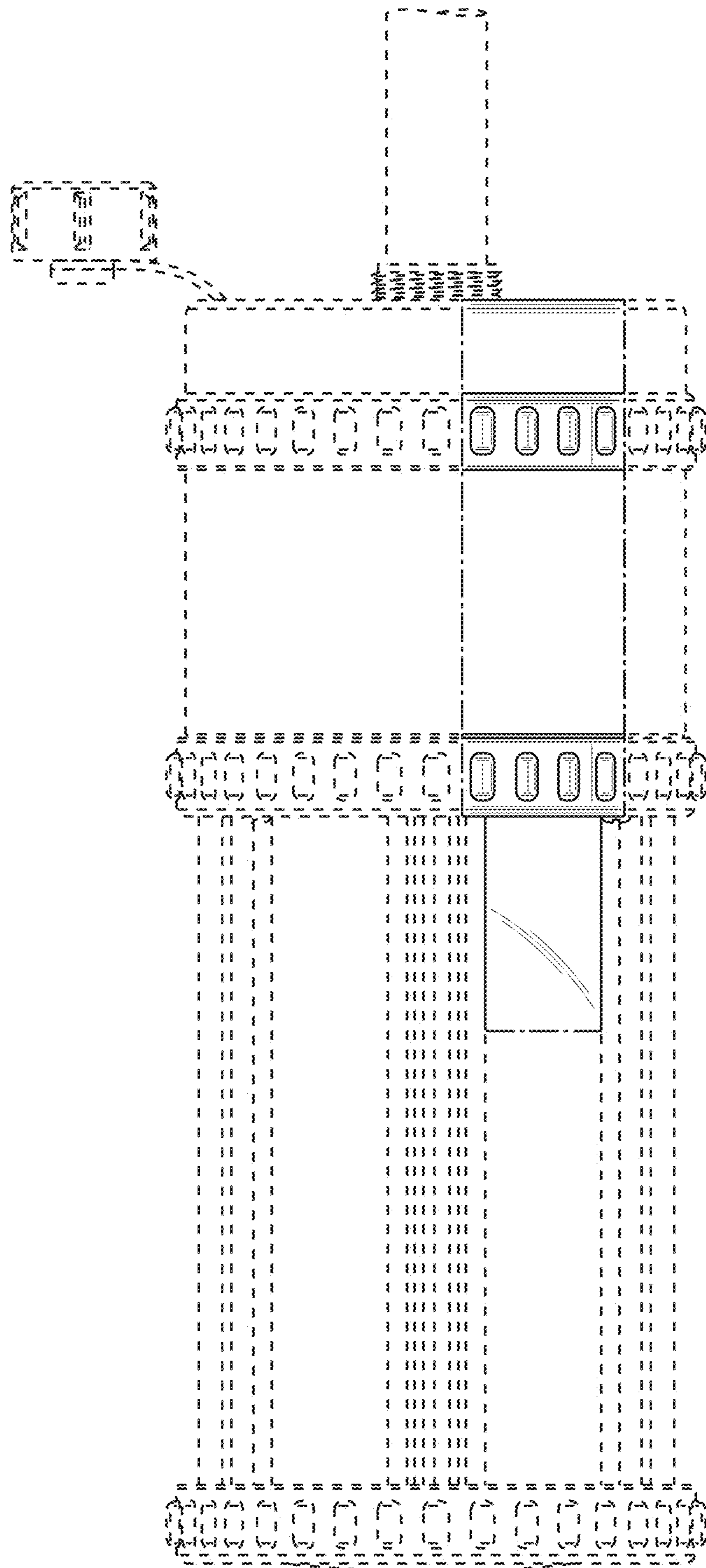


FIG. 2

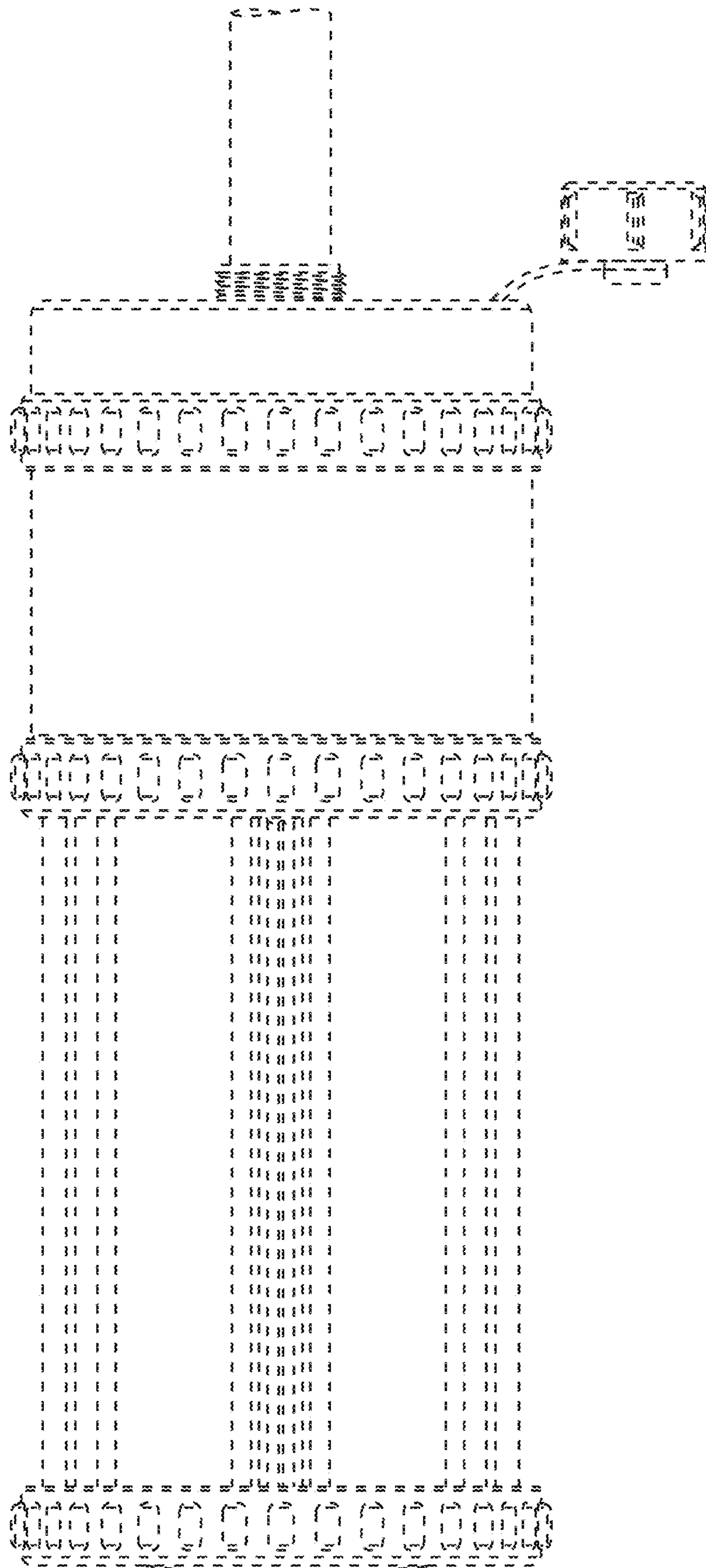


FIG. 3

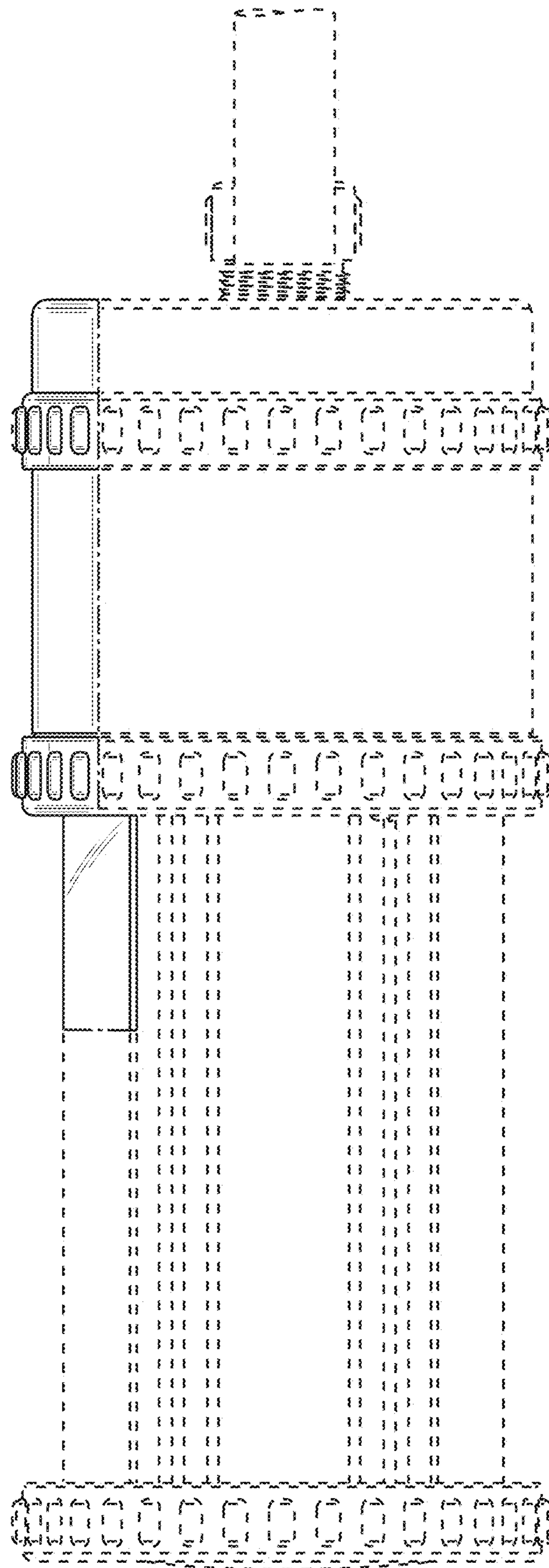


FIG. 4

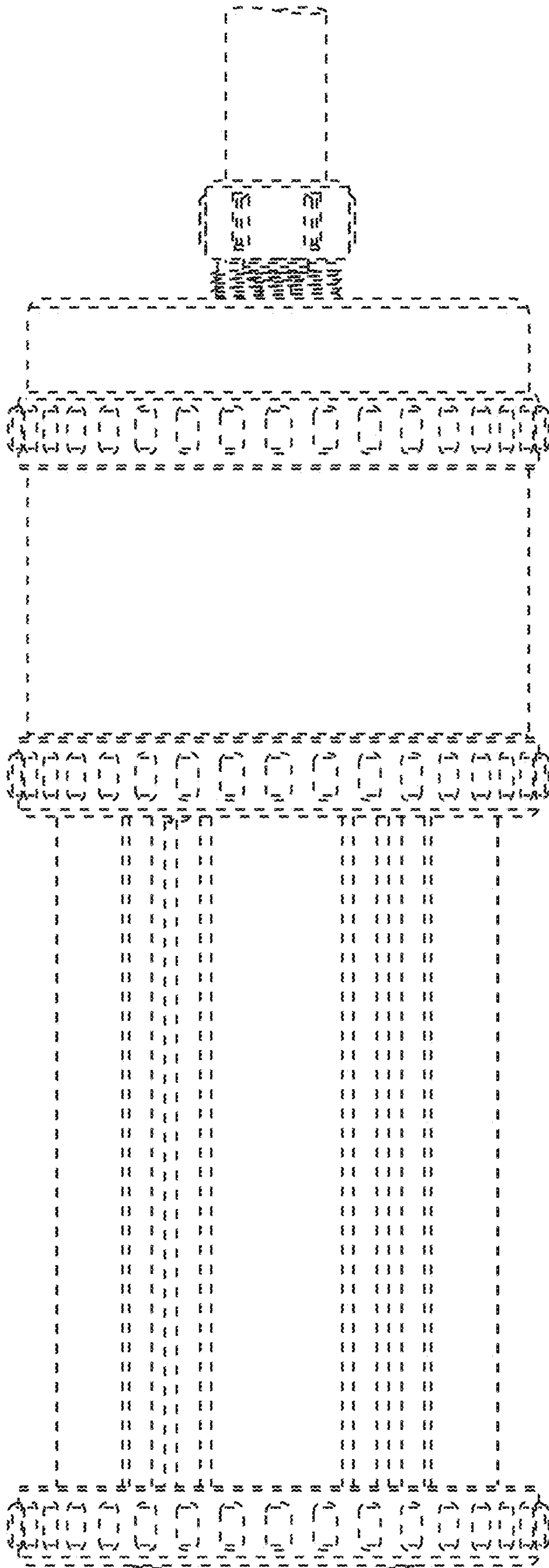


FIG. 5

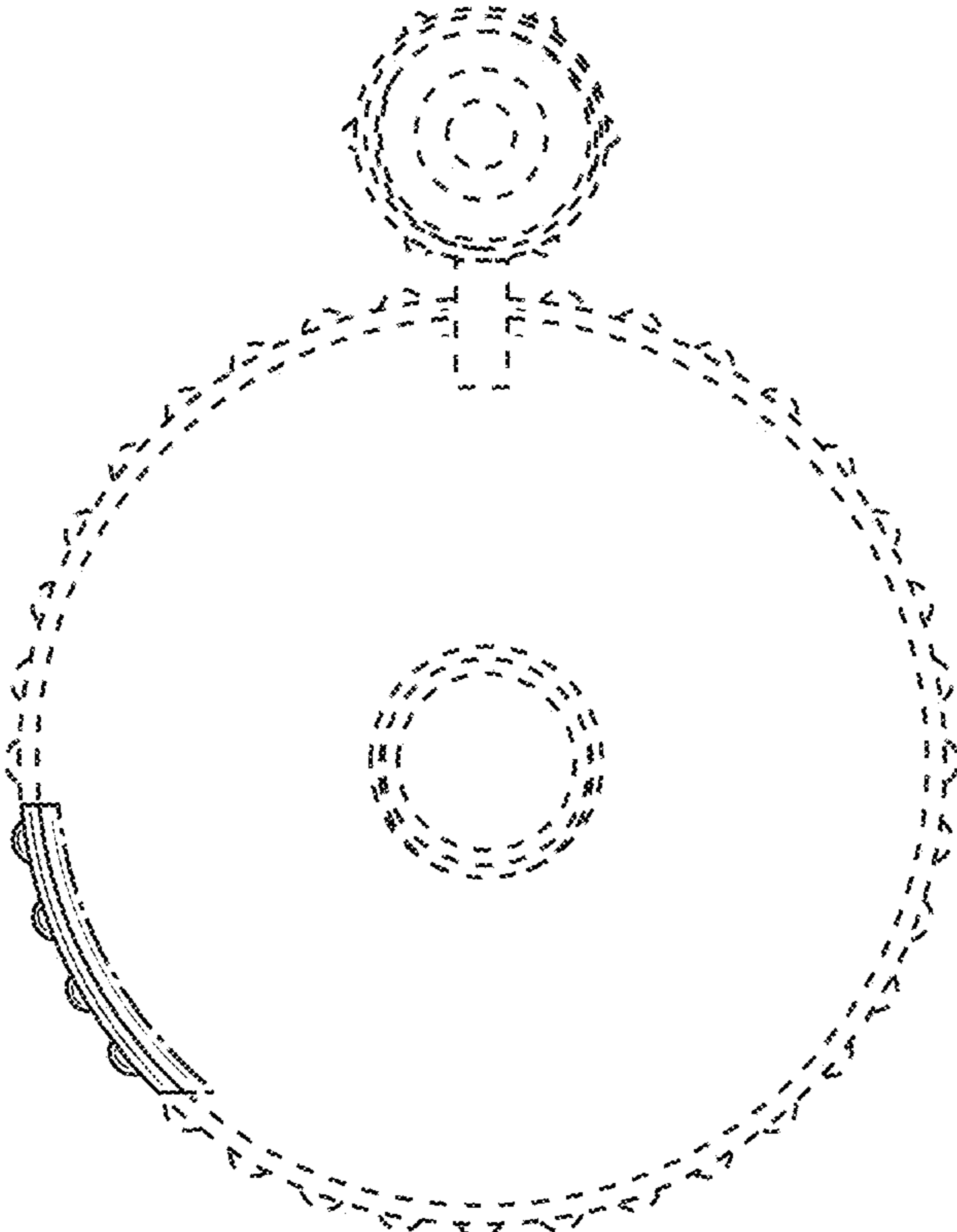


FIG. 6

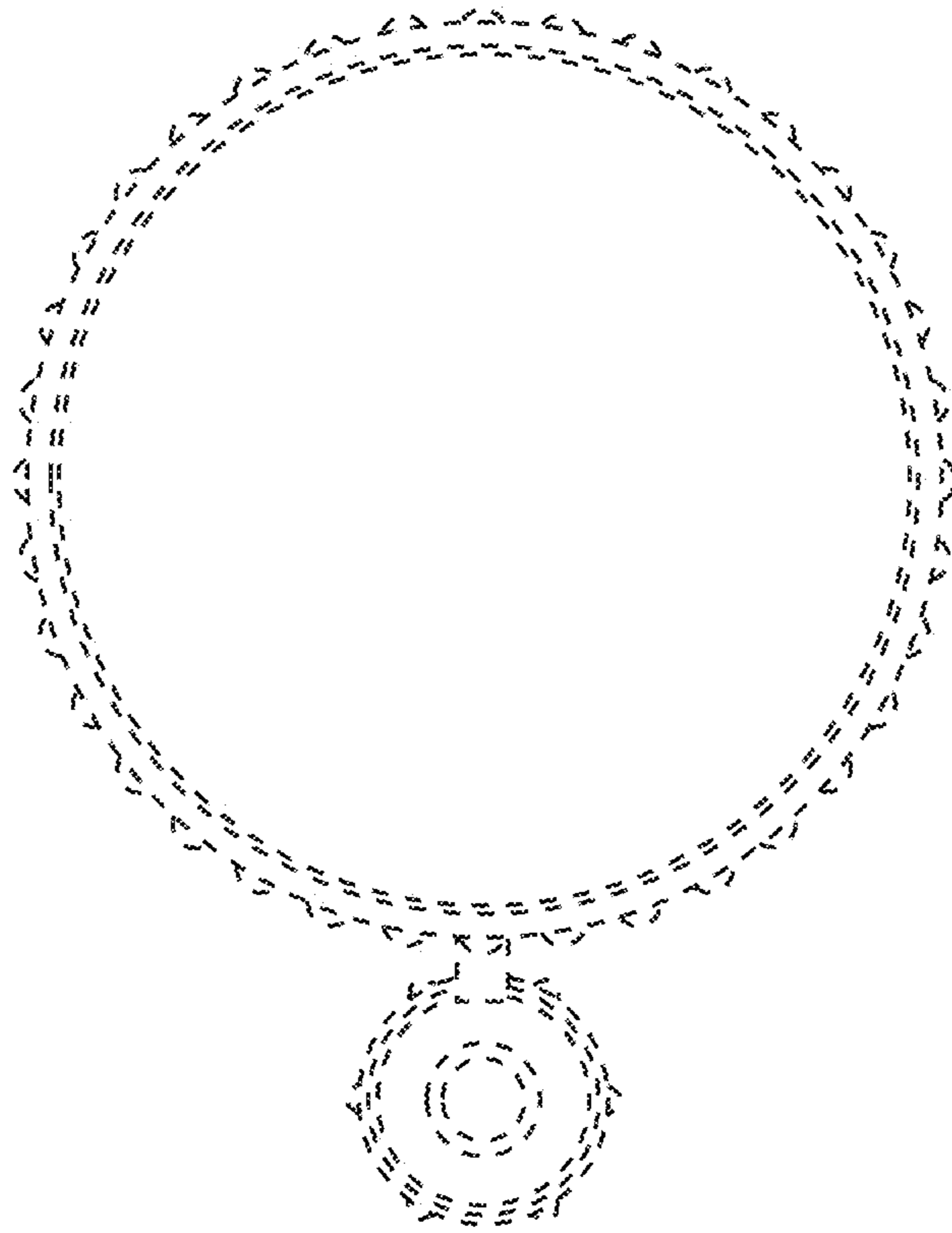


FIG. 7