



US00D955020S

(12) **United States Design Patent** (10) **Patent No.:** **US D955,020 S**
Eichelberger (45) **Date of Patent:** **** Jun. 14, 2022**

(54) **LIGHTING DEVICE**

(71) Applicant: **Streamlight, Inc.**, Eagleville, PA (US)
(72) Inventor: **Cleatis Eichelberger**, East Norriton, PA (US)
(73) Assignee: **Streamlight, Inc.**, Eagleville, PA (US)
(**) Term: **15 Years**

(21) Appl. No.: **29/741,238**
(22) Filed: **Jul. 10, 2020**
(51) **LOC (13) Cl.** **26-02**
(52) **U.S. Cl.**
USPC **D26/39**
(58) **Field of Classification Search**
USPC D26/24, 37-52, 60, 113, 118
CPC F21Y 2115/10; F21Y 2113/13; F21Y 2115/30; F21Y 2113/10; F21Y 2103/10; F21Y 2105/10; F21Y 2105/12; F21Y 2107/70; F21Y 2113/17; F21Y 2113/20; F21Y 2115/00; F21V 21/084; F21V 15/01; F21V 23/002; F21V 23/0414; F21V 23/0492; F21V 21/0816; F21V 21/096; F21V 21/0965; F21V 21/145; F21V 21/30; F21V 23/003; F21V 23/0471; F21V 5/04; F21V 14/06; F21V 17/02; F21V 23/023; F21V 23/0442; F21V 14/025; F21V 14/04; F21V 17/007; F21V 17/06; F21V 17/105; F21V 17/12; F21V 21/002; F21V 21/0885; F21V 21/10; F21V 23/007; F21V 23/02; F21V 23/0428; F21V 23/0478; F21V 23/0485; F21V 23/06; F21V 29/15; F21V 29/502; F21V 29/56; F21V 29/58; F21V 29/59; F21V 29/70; F21V 29/76; F21V 29/77; F21V 33/0008; F21V 5/00; F21V 5/008; F21V 7/00

See application file for complete search history.

(56) **References Cited**

U.S. PATENT DOCUMENTS

D324,431 S * 3/1992 Richardson D26/63
D382,661 S * 8/1997 Wong D26/63
D703,354 S * 4/2014 Kotsis D26/37
D830,601 S * 10/2018 Petzl D26/39
D840,071 S * 2/2019 Yuan D26/37
D843,622 S * 3/2019 Karl, IV D26/39

(Continued)

FOREIGN PATENT DOCUMENTS

CN 201930424304.4 * 1/2020
CN 202130009387.8 * 6/2021

OTHER PUBLICATIONS

Streamlight QB Compact Spot Beam LED Headlamp; {Retrieved from the internet: <https://www.streamlight.com/en/products/detail/index/qb>}; retrieved on Jul. 8, 2020.

Primary Examiner — Marissa J Cash
Assistant Examiner — William B Melliar
(74) *Attorney, Agent, or Firm* — Quarles & Brady LLP; James J. Aquilina

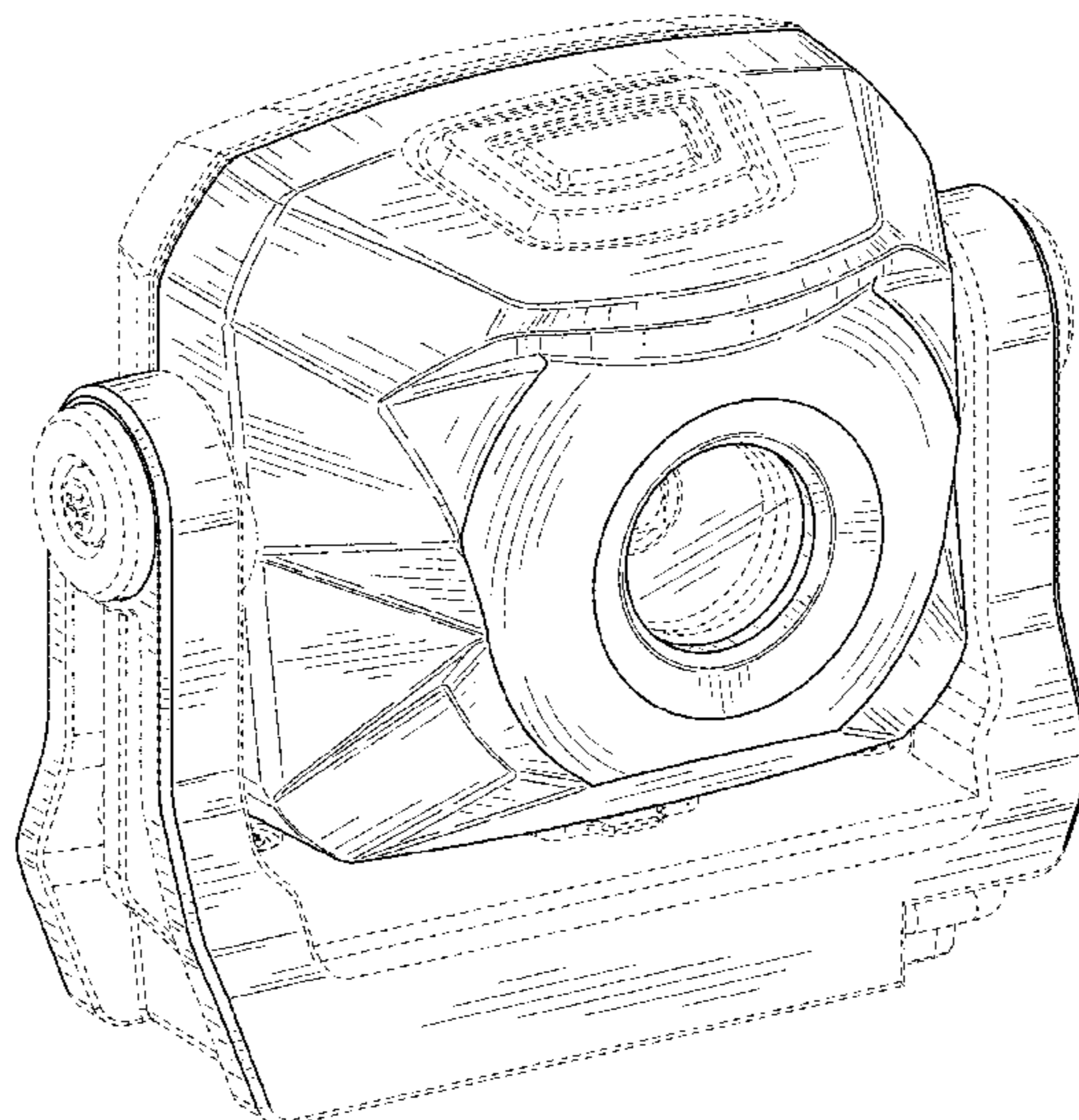
(57) **CLAIM**

The ornamental design for a lighting device, as shown and described.

DESCRIPTION

FIG. 1 is a top, left, and front perspective view of a lighting device showing my new design;
FIG. 2 is a front elevation view thereof;
FIG. 3 is a rear elevation view thereof;
FIG. 4 is a right side elevation view thereof;
FIG. 5 is a left side elevation view thereof;
FIG. 6 is a top plan view thereof; and,
FIG. 7 is a bottom plan view thereof.
The dashed broken lines in the Figures show portions of the lighting device that form no part of the claimed design.

1 Claim, 6 Drawing Sheets



(56)

References Cited

U.S. PATENT DOCUMENTS

D870,324 S	*	12/2019	McAlpine	D26/24
D877,950 S	*	3/2020	Yau	D26/39
D884,235 S	*	5/2020	Yau	D26/39
D898,265 S	*	10/2020	Bao	D26/63
D911,564 S	*	2/2021	Wang	D26/37
D922,644 S	*	6/2021	Eichelberger	D26/63

* cited by examiner

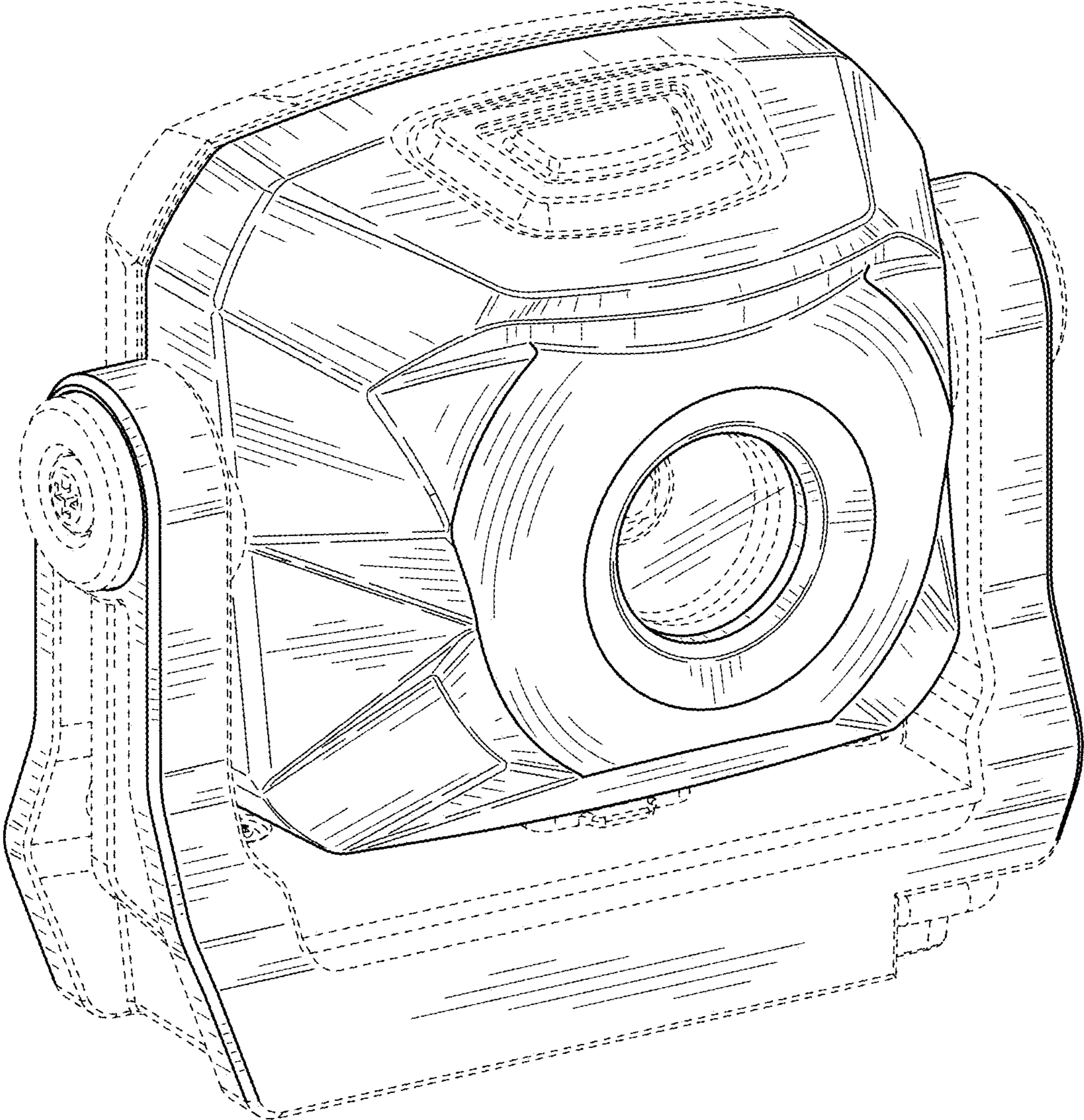


FIG. 1

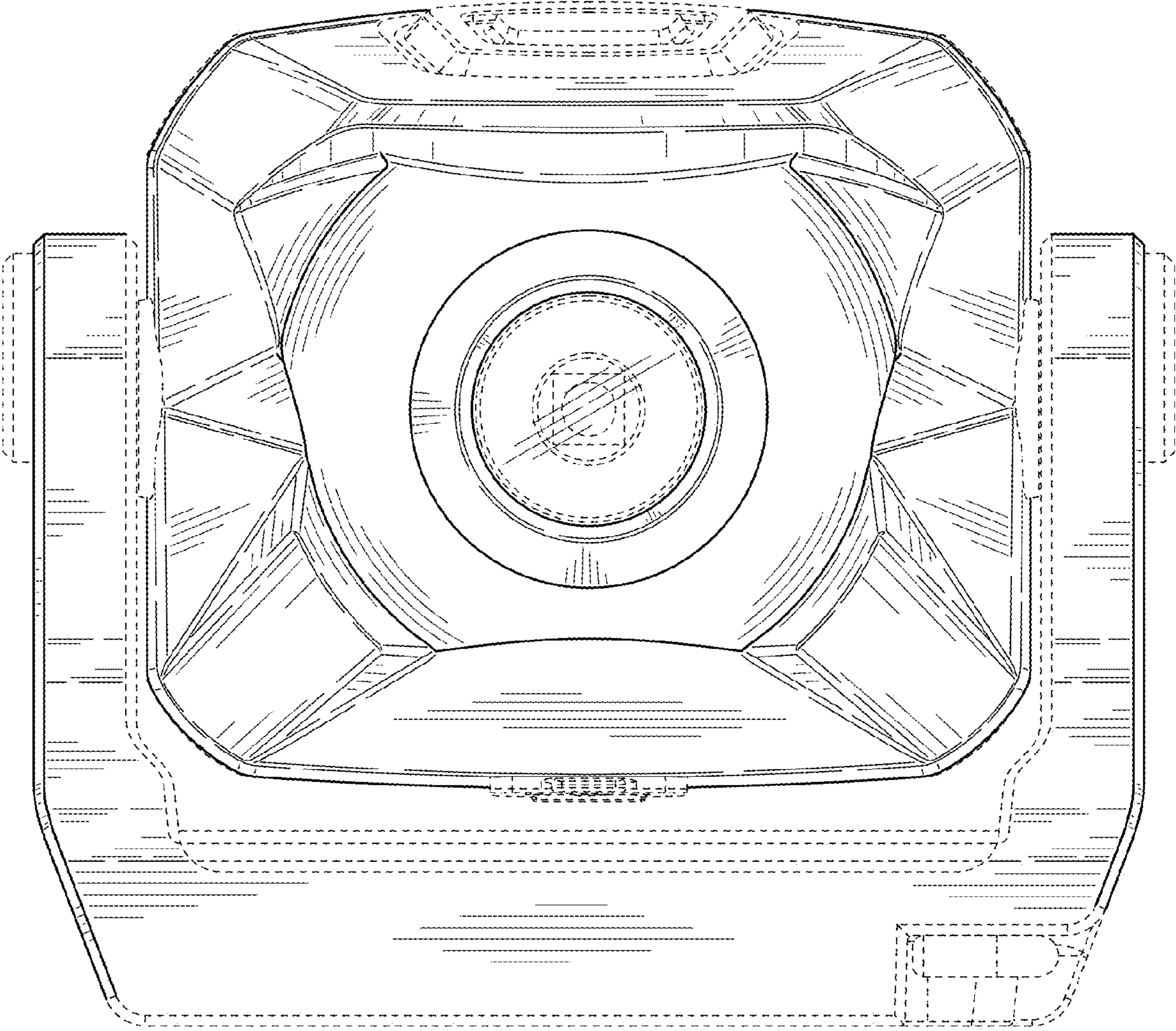


FIG. 2

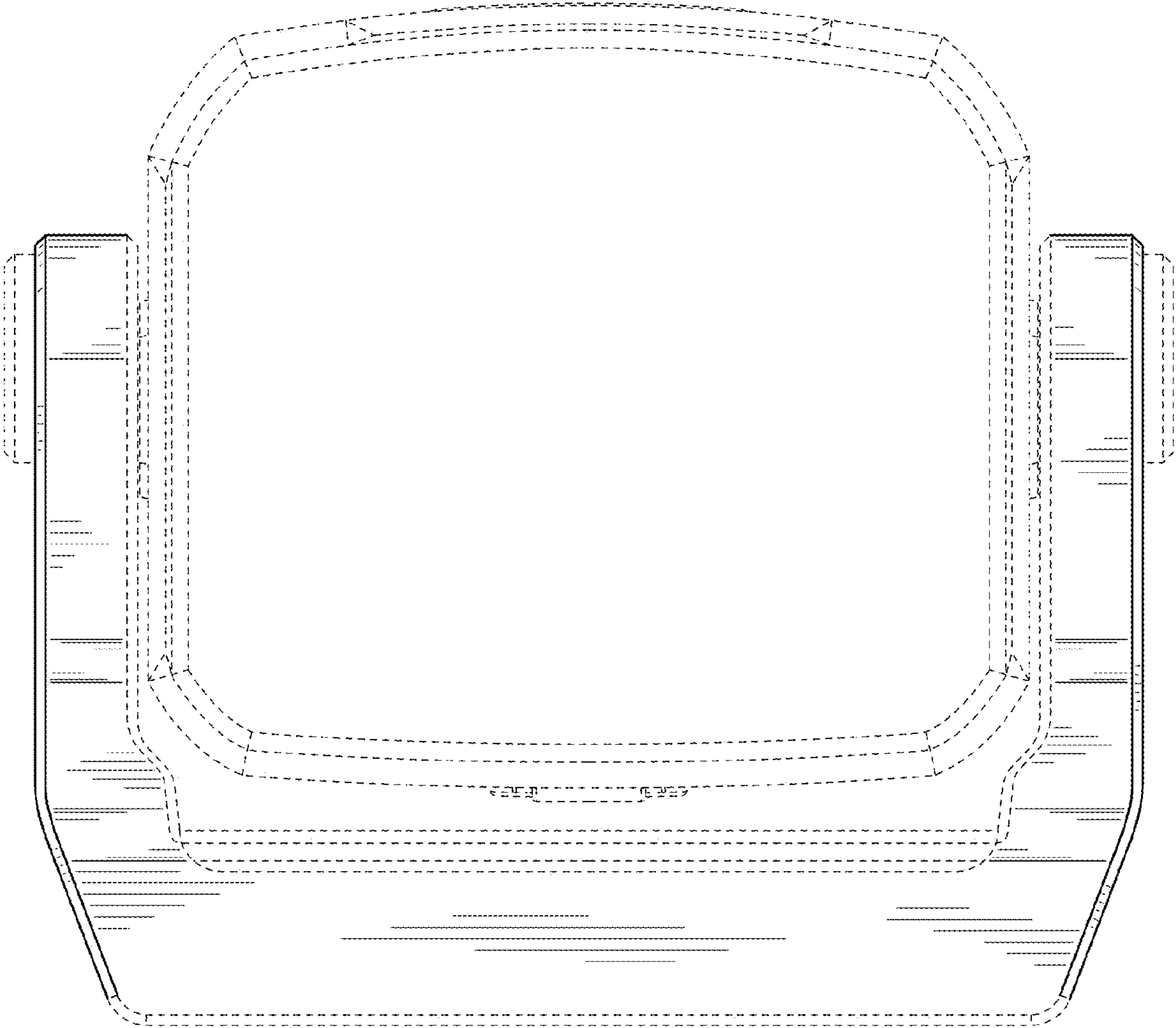


FIG. 3

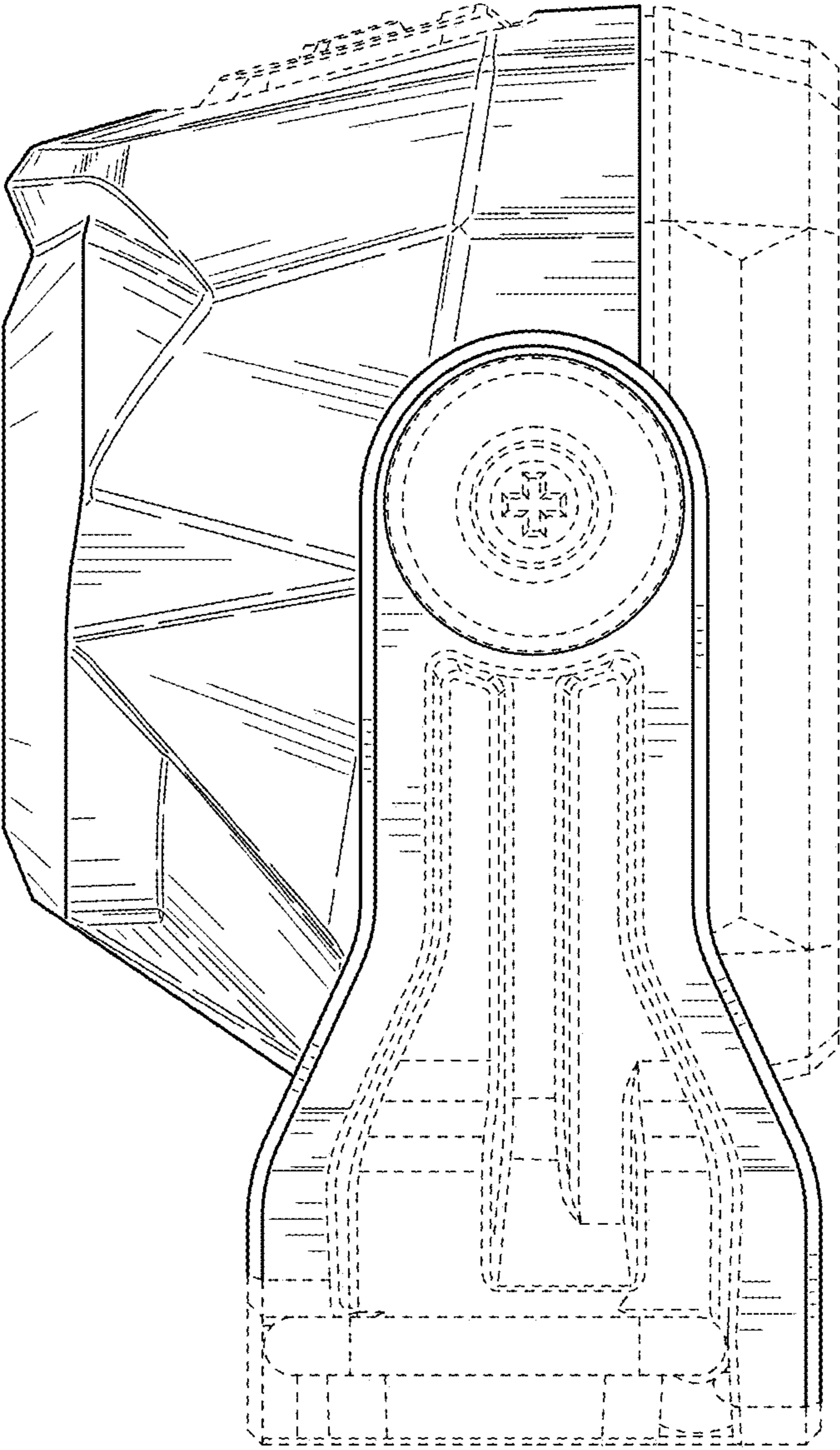


FIG. 4

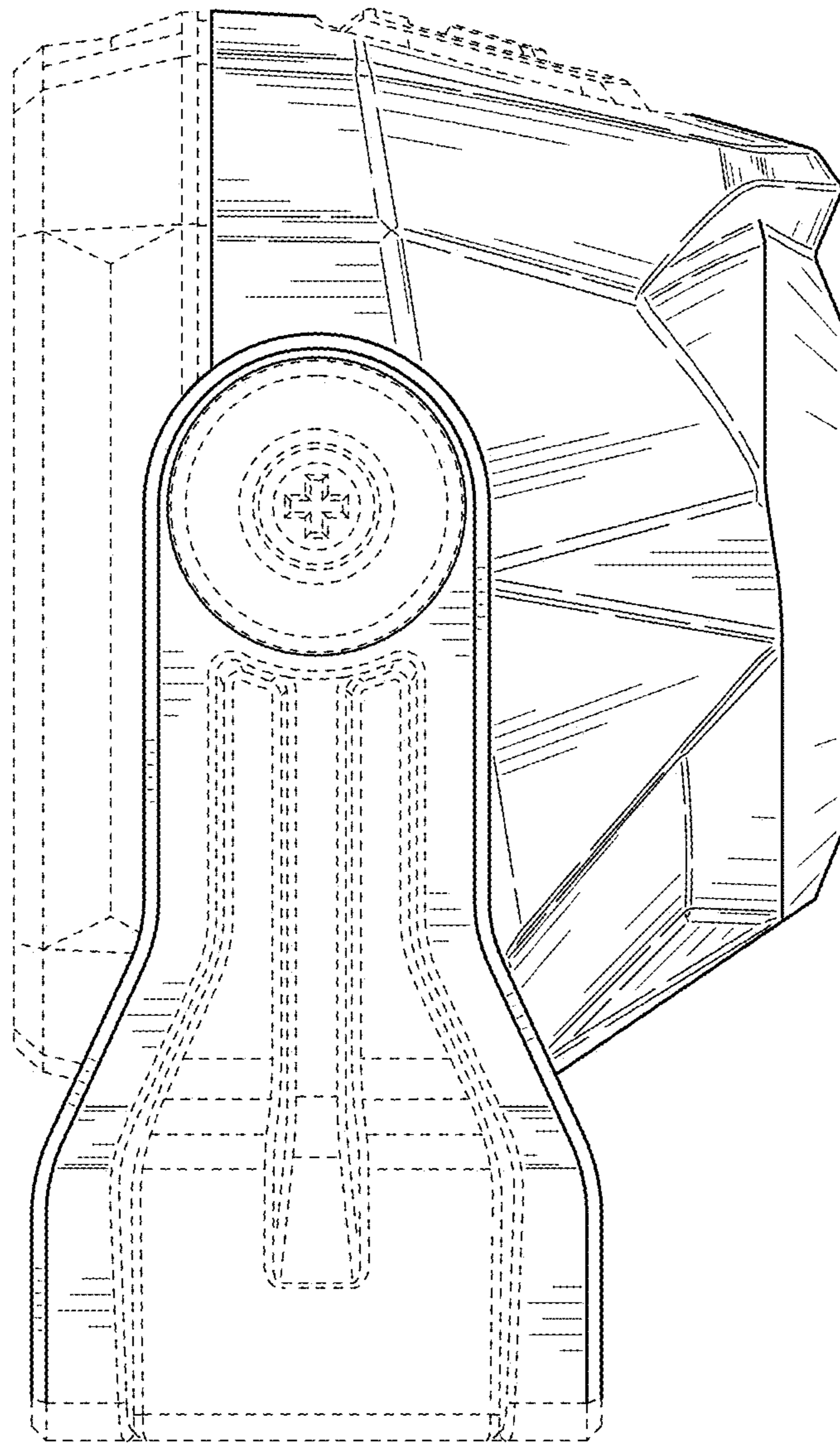


FIG. 5

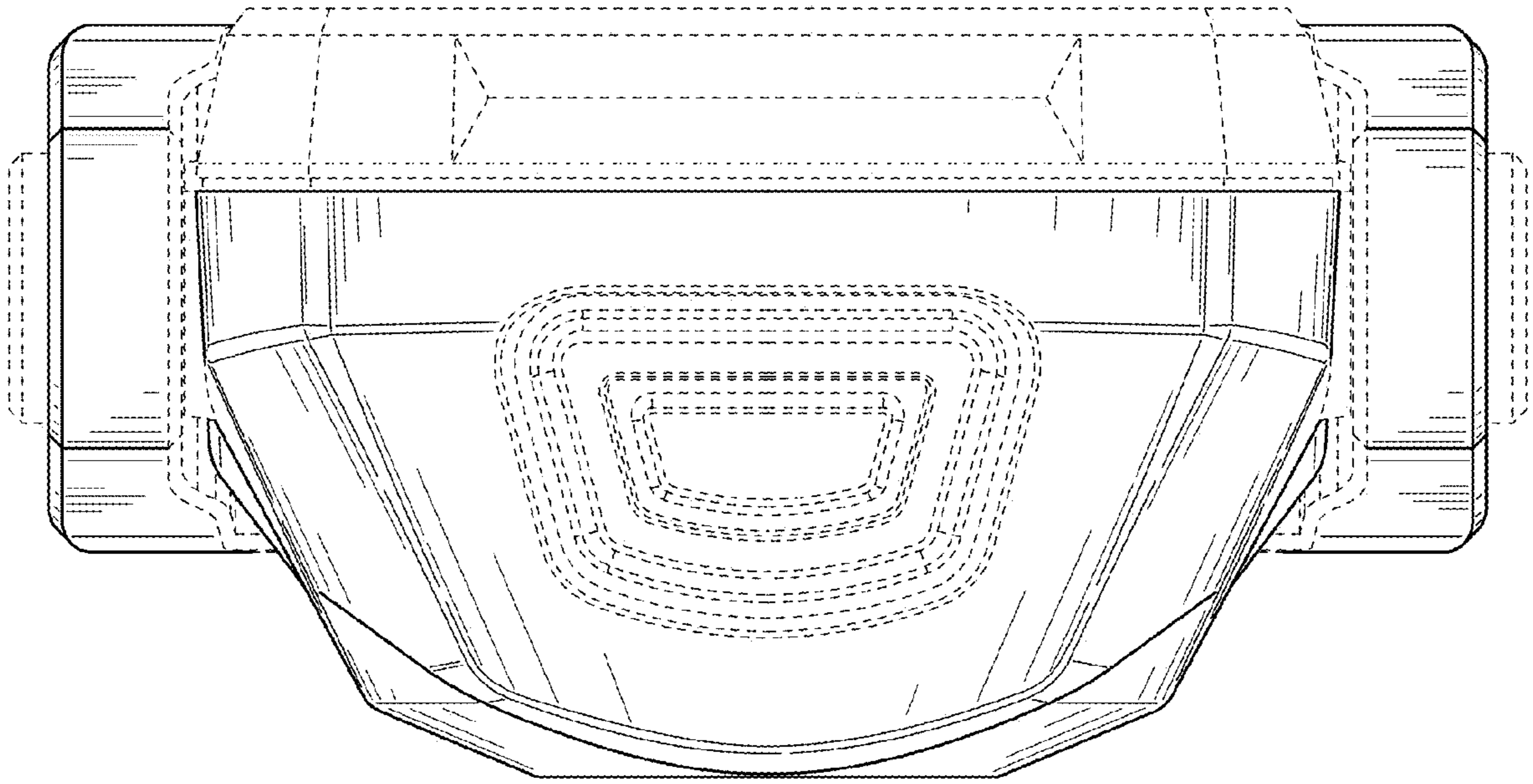


FIG. 6

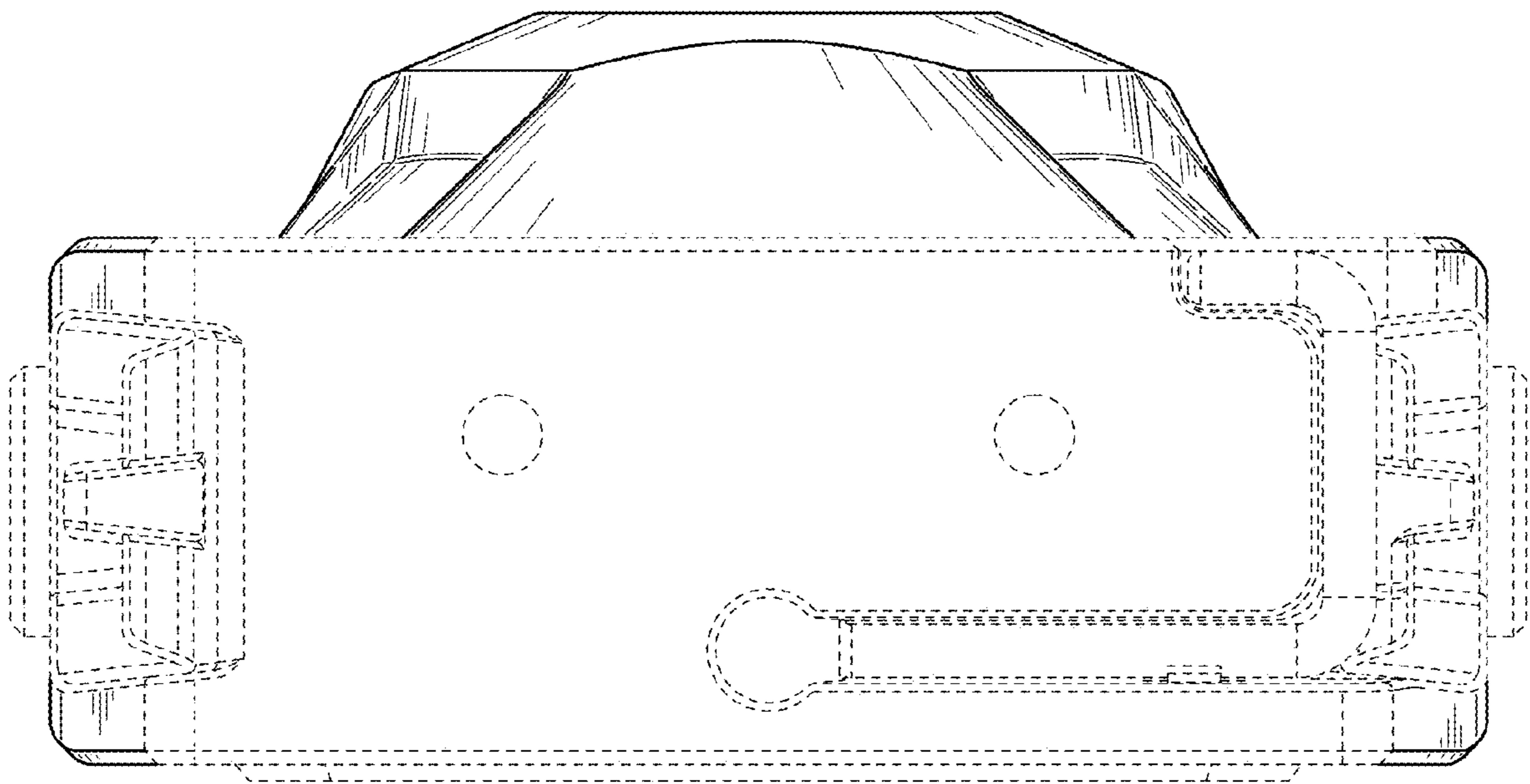


FIG. 7