



US00D955019S

(12) **United States Design Patent** (10) **Patent No.:** **US D955,019 S**
Saboo (45) **Date of Patent:** **** Jun. 14, 2022**

(54) **FLASHLIGHT WITH AN ELECTRONIC INSECT REPELLENT**

(71) Applicant: **WEST COAST IMPORTS, INC.**,
Commerce, CA (US)

(72) Inventor: **Vinay Saboo**, Commerce, CA (US)

(73) Assignee: **WEST COAST IMPORTS, INC.**,
Commerce, CA (US)

(**) Term: **15 Years**

(21) Appl. No.: **29/820,567**

(22) Filed: **Dec. 22, 2021**

Related U.S. Application Data

(62) Division of application No. 29/800,831, filed on Jul. 23, 2021, now Pat. No. Des. 941,512, which is a division of application No. 29/694,652, filed on Jun. 12, 2019, now Pat. No. Des. 929,628.

(51) **LOC (13) Cl.** **26-02**

(52) **U.S. Cl.**
USPC **D26/38**; D26/37

(58) **Field of Classification Search**
USPC D26/37-44, 46-52; D10/111-115
CPC ... F21Y 2115/10; F21Y 2113/13; F21L 4/027;
F21L 4/025; F21L 4/085; F21V 23/0414;
F21V 9/083

See application file for complete search history.

(56) **References Cited**

U.S. PATENT DOCUMENTS

D455,513 S	*	4/2002	Galli	D26/49
D501,054 S	*	1/2005	Galli	D26/37
D564,116 S	*	3/2008	Linardos	D26/49
D565,220 S	*	3/2008	Galli	D26/49
D601,737 S	*	10/2009	Swan	D26/49
D606,220 S	*	12/2009	Kim	D26/46
D606,686 S	*	12/2009	Kim	D26/46
D606,687 S	*	12/2009	Kim	H01M 50/213 D26/46

(Continued)

FOREIGN PATENT DOCUMENTS

CN	304152418	*	5/2017
EM	000831268-0001	*	2/2008
EM	002753012-0002	*	2/2015

OTHER PUBLICATIONS

“GLOUE Bug Zapper Light,” Jun. 10, 2019 (Q&A), amazon.com, site visited Jun. 16, 2021, URL: https://www.amazon.com/GLOUE-Zapper-Mosquito-Killer-Electronic/dp/B07RPLZYJD/ref=sr_1_10?dchild=1&keywords=Patio%2C+Lawn+%26+Garden+Insect+Zappers+Mosquito+Killer+Lamp+Bug+Zapper&qid=1623870983&s=lawn-garde (Year: 2019).*

(Continued)

Primary Examiner — Eric L Goodman

Assistant Examiner — Sarah L Smith

(74) *Attorney, Agent, or Firm* — Tarter Krinsky & Drogin LLP

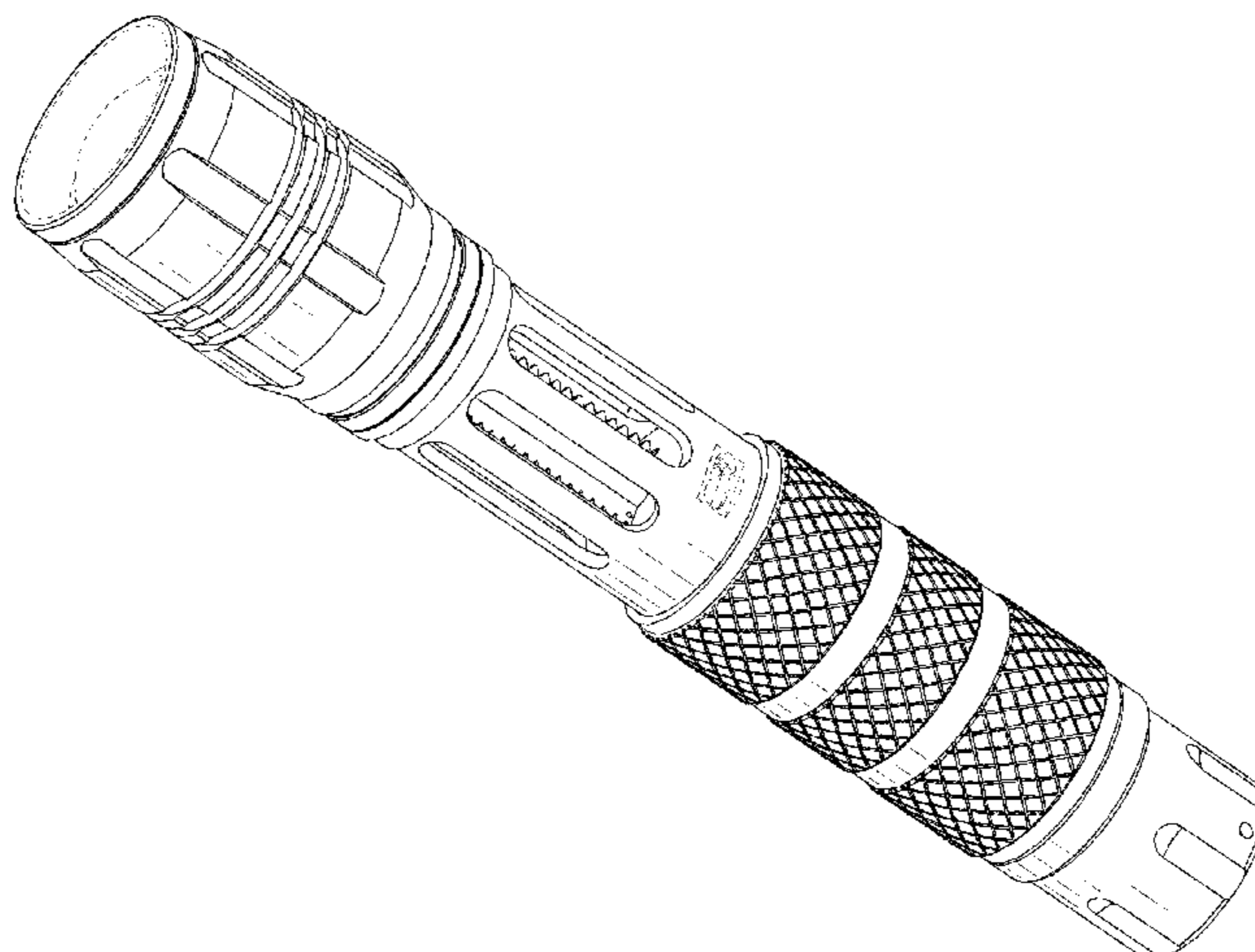
(57) **CLAIM**

The ornamental design for a flashlight with an electronic insect repellent, as shown and described.

DESCRIPTION

FIG. 1 is a perspective view of a flashlight with an electronic insect repellent;
FIG. 2 is a front view thereof;
FIG. 3 is a first side view thereof;
FIG. 4 is a rear view thereof;
FIG. 5 is a second side view thereof;
FIG. 6 is a bottom view thereof;
FIG. 7 is a top view thereof; and,
FIG. 8 is a perspective view of a lower portion covering an electronic insect repellent portion of the flashlight.
The broken lines shown in the figures show portions of the flashlight that form no part of the claimed design.

1 Claim, 5 Drawing Sheets



(56)

References Cited

U.S. PATENT DOCUMENTS

D619,284 S * 7/2010 Kim D26/49
 7,784,963 B2 * 8/2010 Galli F41G 1/35
 362/184
 D683,877 S * 6/2013 Brands D26/49
 8,567,556 B2 * 10/2013 Dueck F41A 21/325
 181/223
 D709,233 S * 7/2014 Inskeep D26/49
 8,973,481 B2 * 3/2015 Dueck F41A 21/325
 89/14.4
 D754,899 S * 4/2016 Cooper F41A 21/325
 D26/49
 D774,230 S * 12/2016 Prieto D26/49
 D780,356 S * 2/2017 Nguyen D26/49
 D804,696 S * 12/2017 Cheng D26/49
 D811,636 S * 2/2018 Galli D26/49
 D828,940 S * 9/2018 Qiu D26/49
 D832,390 S * 10/2018 Geissele D22/108
 D885,626 S * 5/2020 Inskeep D26/49
 D922,642 S * 6/2021 Hu D26/49
 D925,798 S * 7/2021 Sheikh F21L 4/00
 D26/37
 D928,371 S * 8/2021 Le D26/49
 D929,628 S * 8/2021 Saboo D26/38

D930,208 S * 9/2021 Hong D26/49
 D940,366 S * 1/2022 Cran D26/37
 D940,368 S * 1/2022 Kao D26/40
 D941,512 S * 1/2022 Saboo D26/38
 2003/0147239 A1 * 8/2003 Galli F21V 23/0414
 362/205
 2004/0105258 A1 * 6/2004 Galli G02F 1/1339
 362/205
 2012/0033416 A1 * 2/2012 Ballard H01M 50/213
 362/202
 2016/0013675 A1 * 1/2016 Workman H02J 7/35
 320/101
 2017/0067605 A1 * 3/2017 Kuo F21L 4/085
 2020/0390078 A1 * 12/2020 Saboo A01M 1/223

OTHER PUBLICATIONS

https://www.amazon.com/Millennials-Outdoors-Electronic-Mosquito-Outdoor/dp/B07QS343L6/ref=pd_di_sccai_4/142-1907619-3348727?pd_rd_w=msC2W&pf_rd_p=c9443270-b914-4430-a90b-72e3e7e784e0&pf_rd_r=NVY86QZY1EM6EWQEG3B&pd_rd_r=aeb9f7e8-f9b4-473a-9903-5fc8a0e6360e&pd_rd_wg=zRQbd&pd_rd_i=B07QS343L6&pvc=1 (Year: 2019).*

* cited by examiner

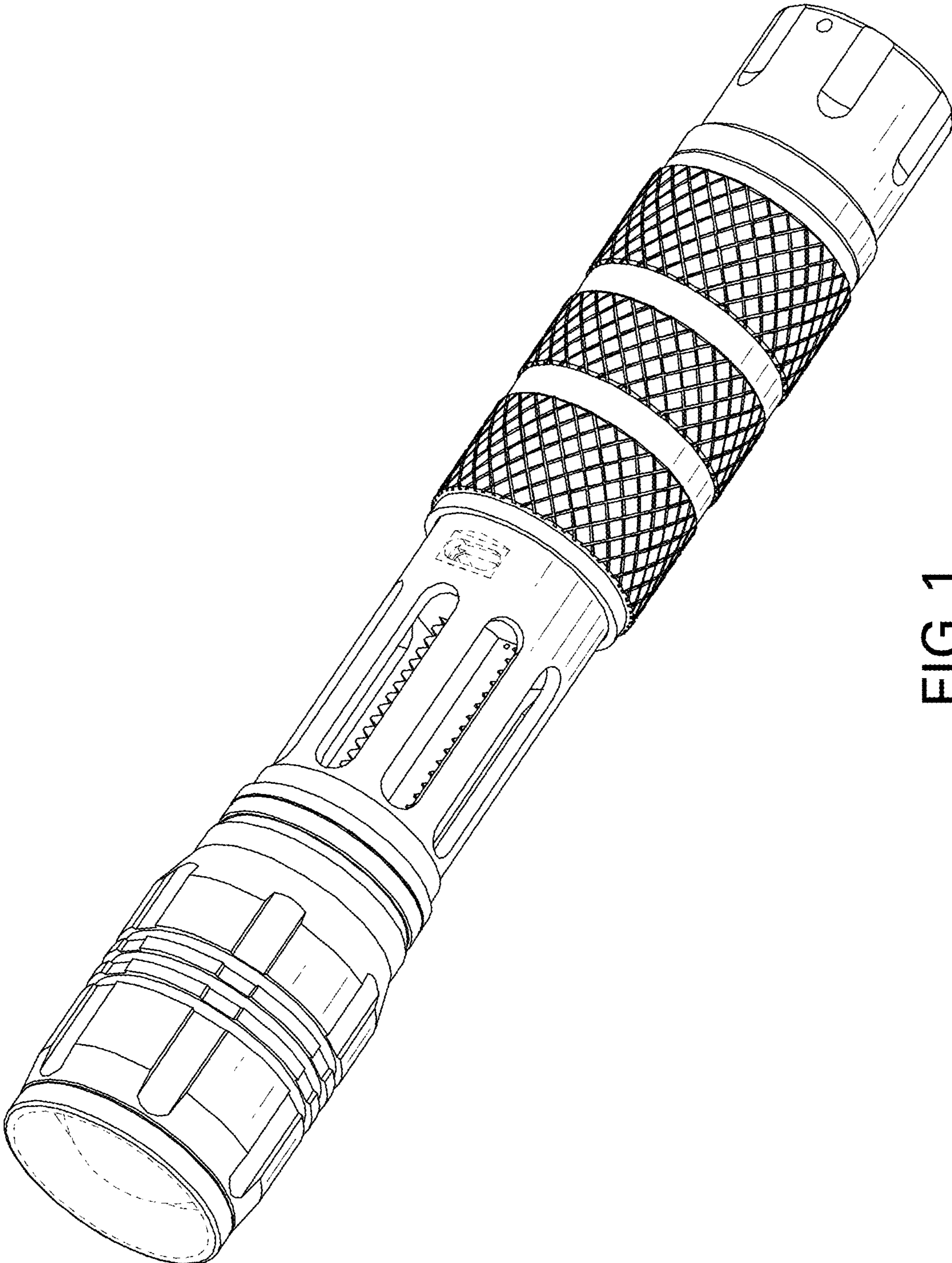


FIG. 1

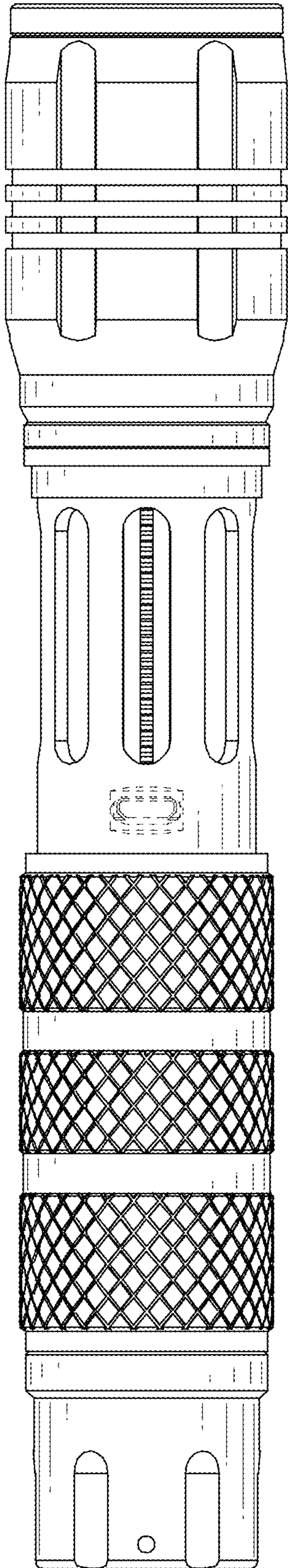


FIG. 2

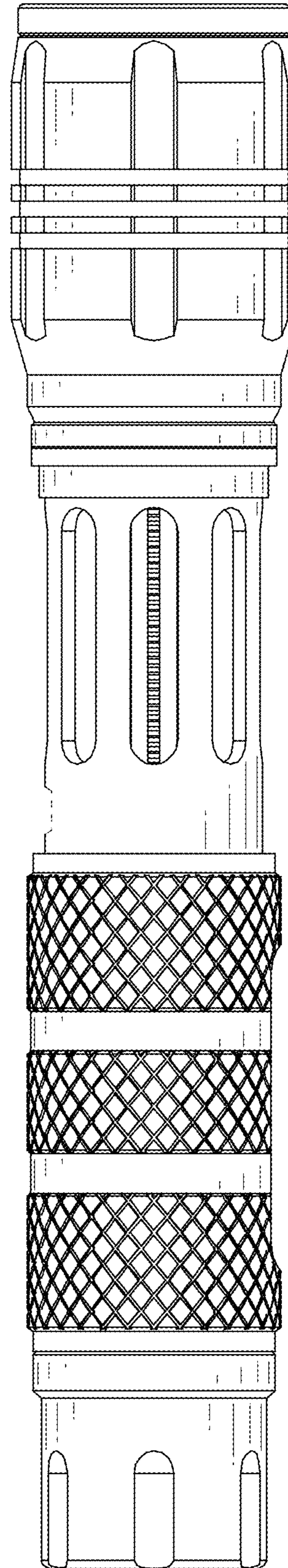


FIG. 3

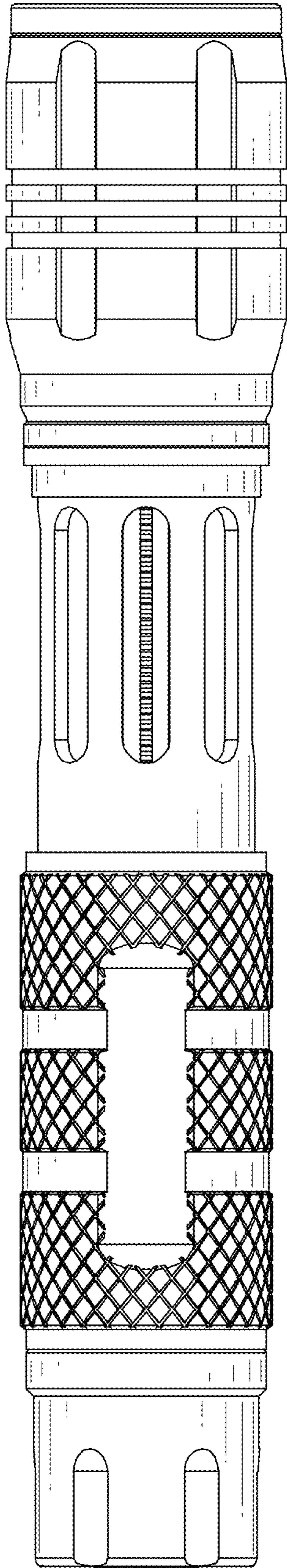


FIG. 4

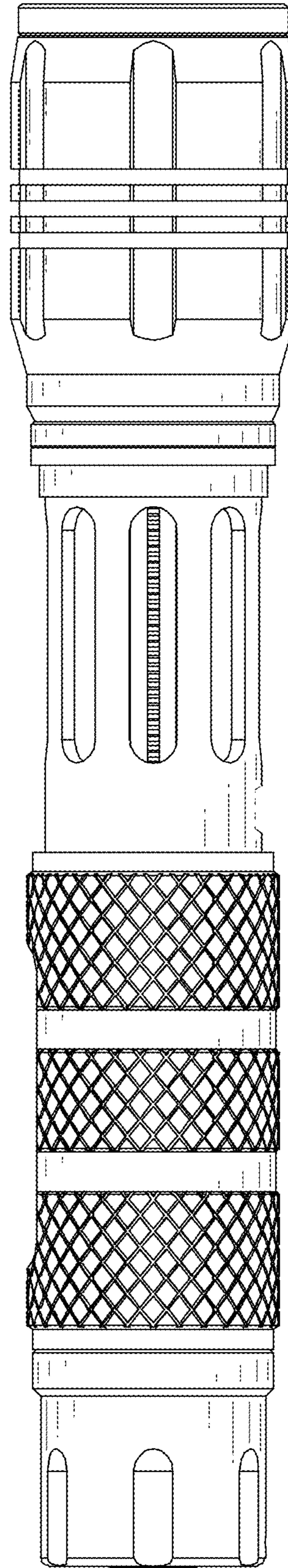


FIG. 5

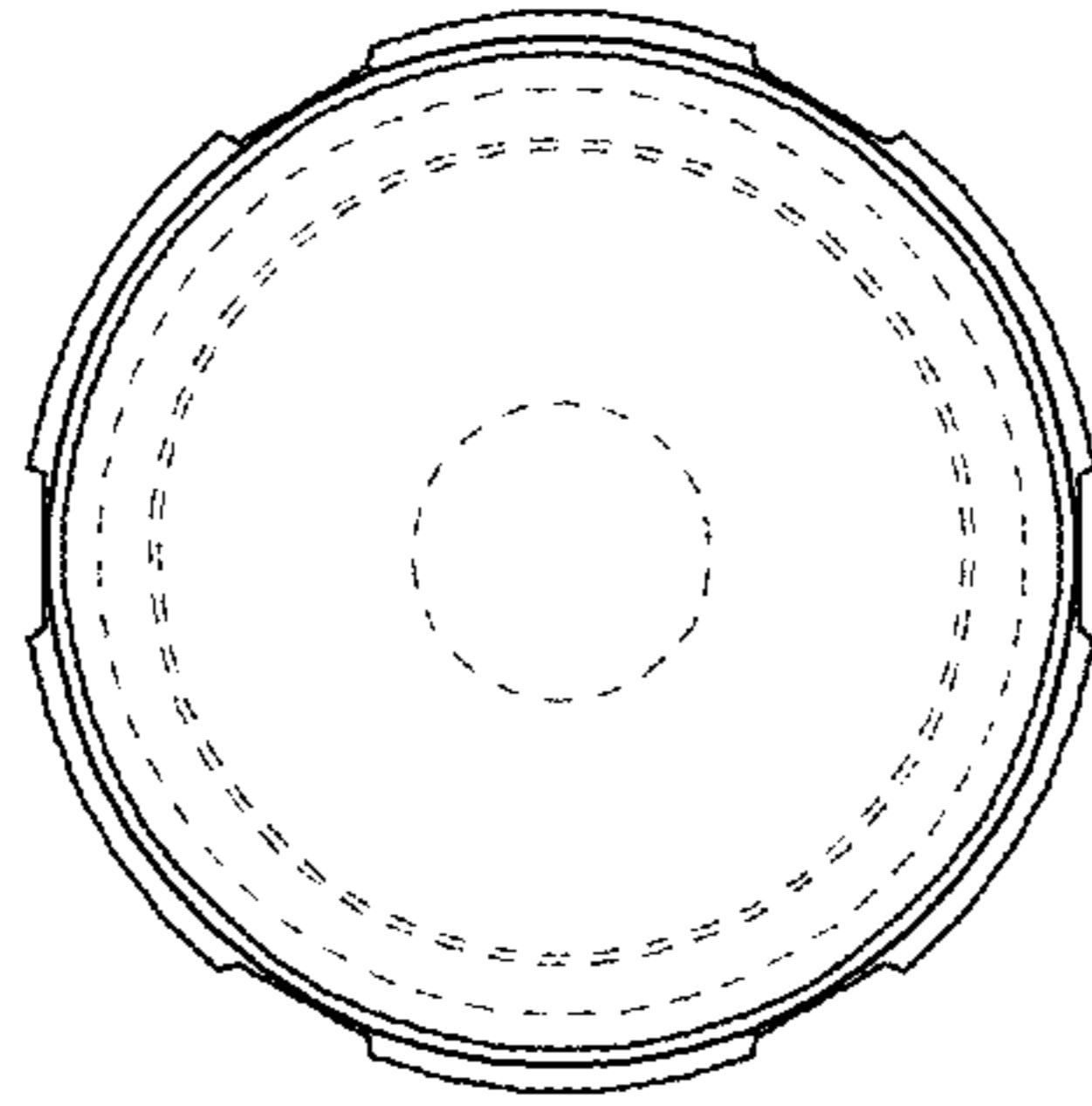


FIG. 7

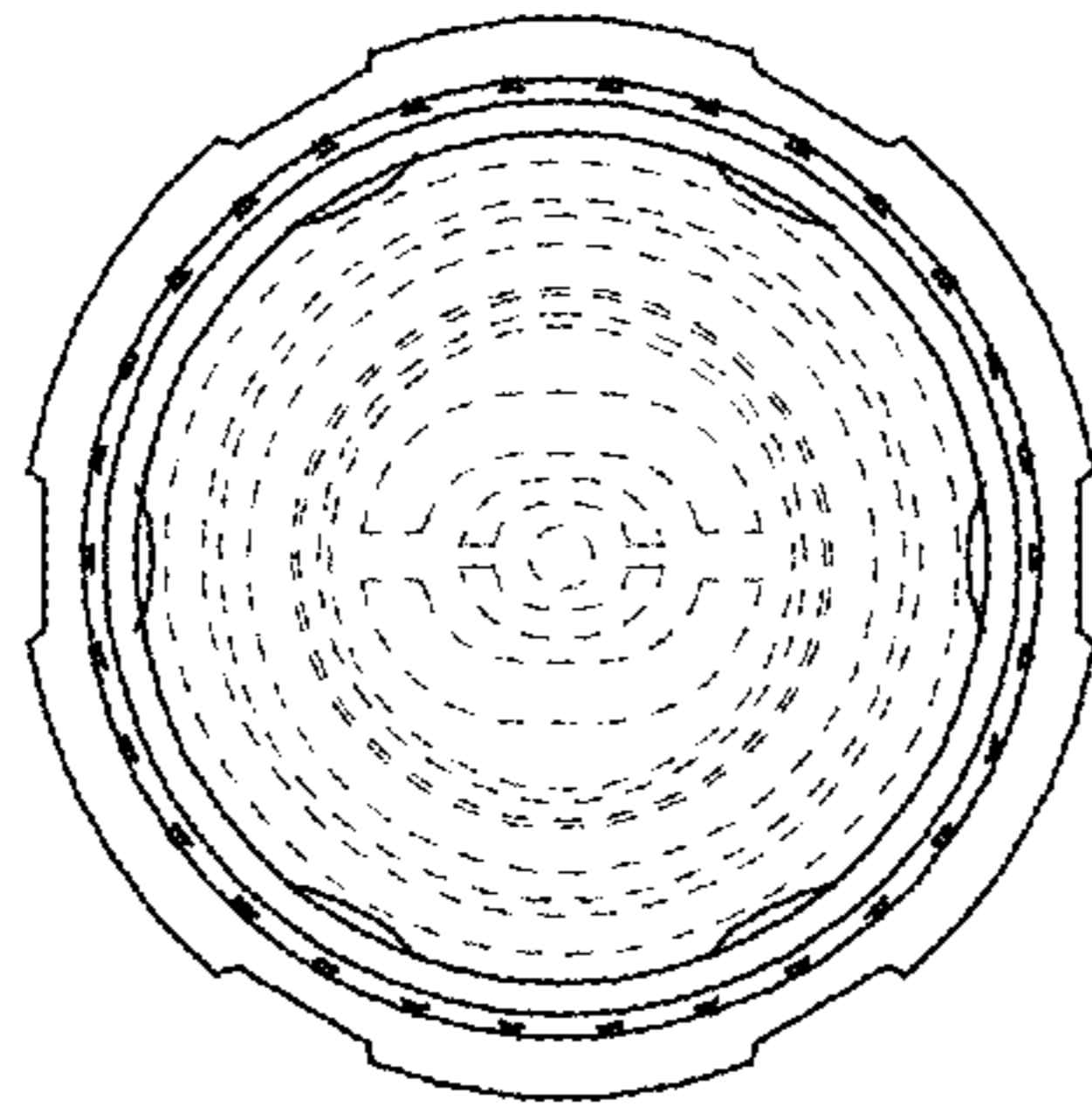


FIG. 6

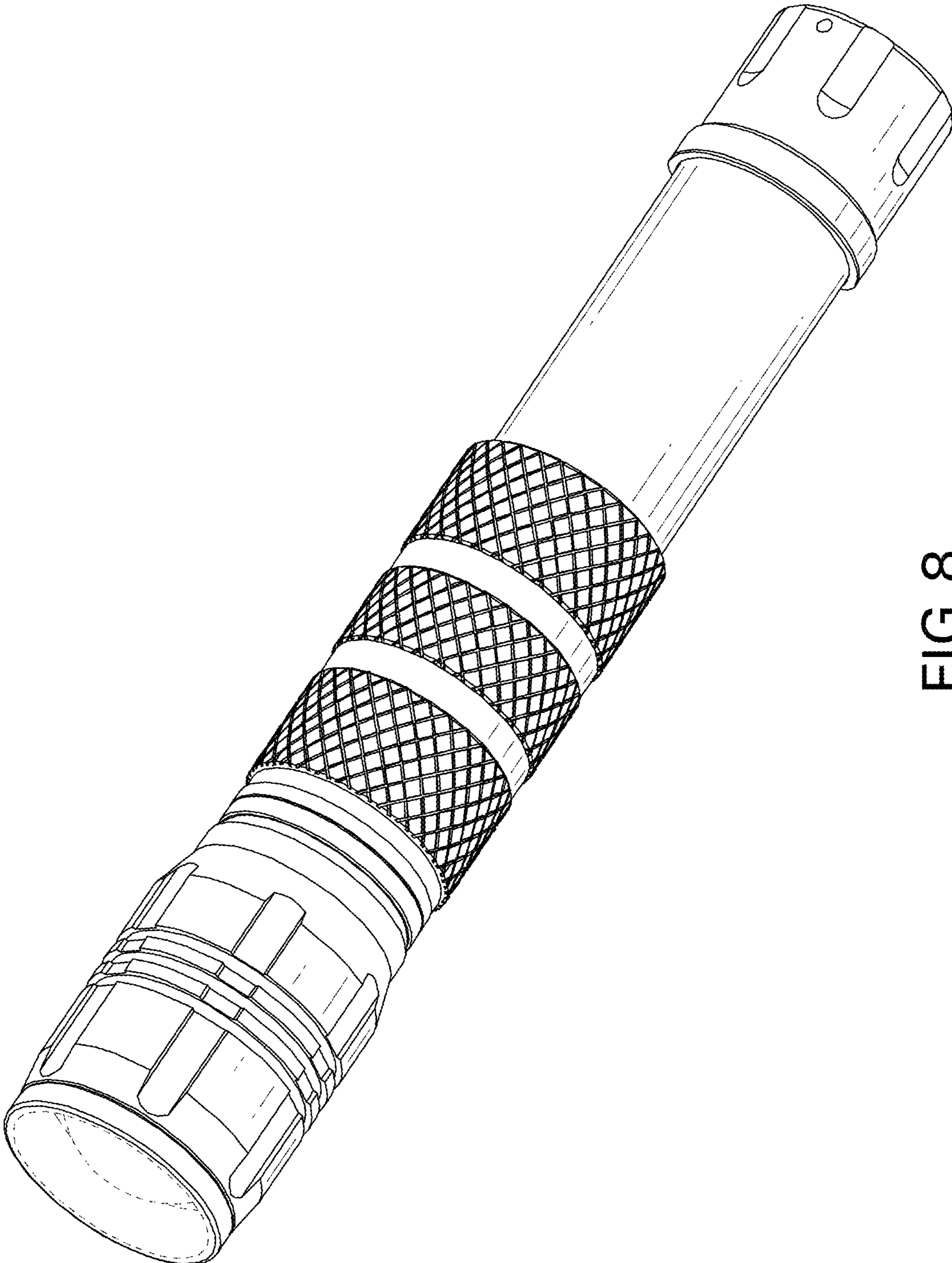


FIG. 8