



US00D955002S

(12) **United States Design Patent** (10) **Patent No.:** **US D955,002 S**  
**Lam et al.** (45) **Date of Patent:** **\*\* Jun. 14, 2022**

(54) **DECKING**

(71) Applicant: **NEWTECHWOOD CORPORATION,**  
Guangdong (CN)

(72) Inventors: **Terry Yung Lam,** Guangdong (CN);  
**Cliff Chorsum Lam,** Guangdong (CN);  
**Richard Chorfoam Lam,** Guangdong  
(CN)

(73) Assignee: **NEWTECHWOOD CORPORATION,**  
Guangdong (CN)

(\*\*) Term: **15 Years**

(21) Appl. No.: **29/713,035**

(22) Filed: **Nov. 13, 2019**

(30) **Foreign Application Priority Data**

May 13, 2019 (CN) ..... 201930230189.7  
May 13, 2019 (CN) ..... 201930230196.7  
May 13, 2019 (CN) ..... 201930230436.3

(51) **LOC (13) Cl.** ..... **25-01**

(52) **U.S. Cl.**  
USPC ..... **D25/122**

(58) **Field of Classification Search**  
USPC ..... D25/119–125, 138, 139, 141–144, 152,  
D25/159–162  
CPC .... E04D 1/00; E04D 1/02; E04D 1/26; E04D  
1/265; E04D 3/00; E04D 3/36; E04D  
3/361; E04D 3/362; E04D 3/363; E04D  
3/368; E04D 5/00; E04F 13/00; E04F  
13/007; E04F 13/072; E04F 13/074; E04F  
13/075; E04F 13/076; E04F 13/078; E04F  
13/08; E04F 13/26

See application file for complete search history.

(56) **References Cited**

U.S. PATENT DOCUMENTS

D301,746 S \* 6/1989 Dallaire ..... D25/122  
D329,914 S \* 9/1992 Veilleux ..... D25/138  
D393,907 S \* 4/1998 Current ..... D25/122  
D429,347 S \* 8/2000 Doyle ..... D25/124  
D487,316 S \* 3/2004 Suwanda ..... D25/138  
D489,139 S \* 4/2004 Foyer ..... D25/141  
D503,486 S \* 3/2005 Male ..... D25/138  
D507,060 S \* 7/2005 Fischer ..... D25/122  
D507,355 S \* 7/2005 Fischer ..... D25/122  
D539,933 S \* 4/2007 Fischer ..... D25/125  
2016/0168850 A1 \* 6/2016 Anseth ..... E04B 1/40  
52/645  
2020/0217085 A1 \* 7/2020 Chapman ..... E04F 15/102

\* cited by examiner

*Primary Examiner* — Llorelys Martinez

(74) *Attorney, Agent, or Firm* — Muncy, Geissler, Olds &  
Lowe, PC

(57) **CLAIM**

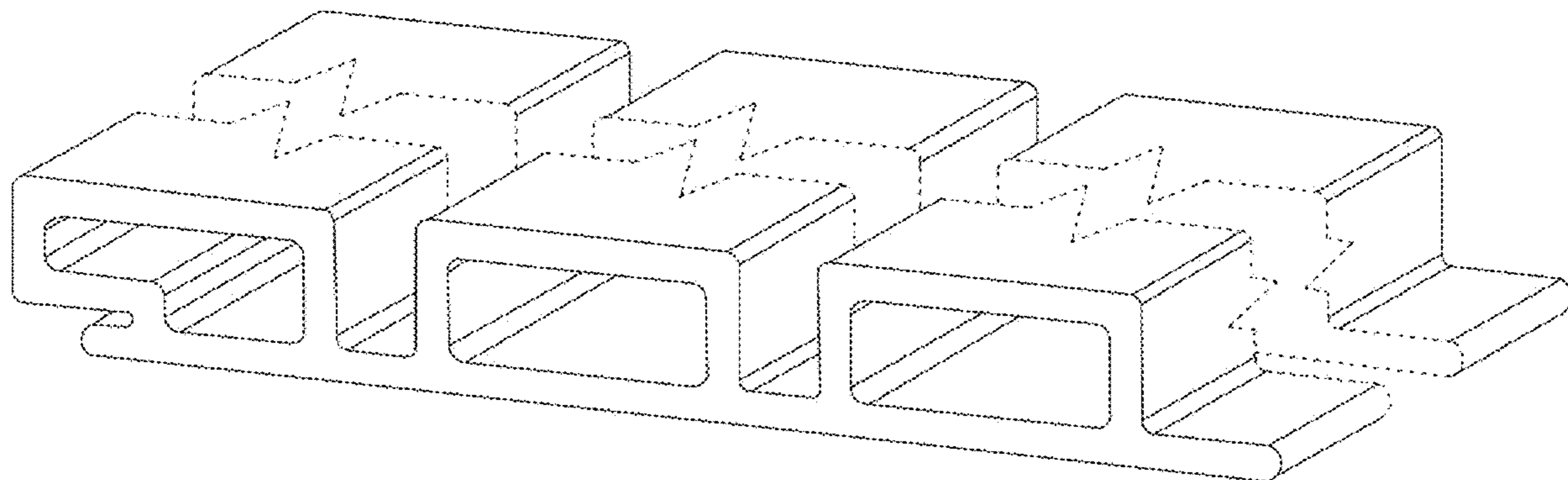
The ornamental design for a decking, as shown and  
described.

**DESCRIPTION**

FIG. 1 is a front, right, top perspective view of a decking  
showing our new design;  
FIG. 2 is a front elevational view thereof, the rear elevation  
view being a mirror image thereof;  
FIG. 3 is a right side elevational view thereof;  
FIG. 4 is a left side elevational view thereof;  
FIG. 5 is a top plan view thereof; and,  
FIG. 6 is a bottom view thereof.

The decking is shown with a symbolic break in its length.  
The appearance of any portion of the decking between the  
break lines form no part of the claimed design.

**1 Claim, 6 Drawing Sheets**



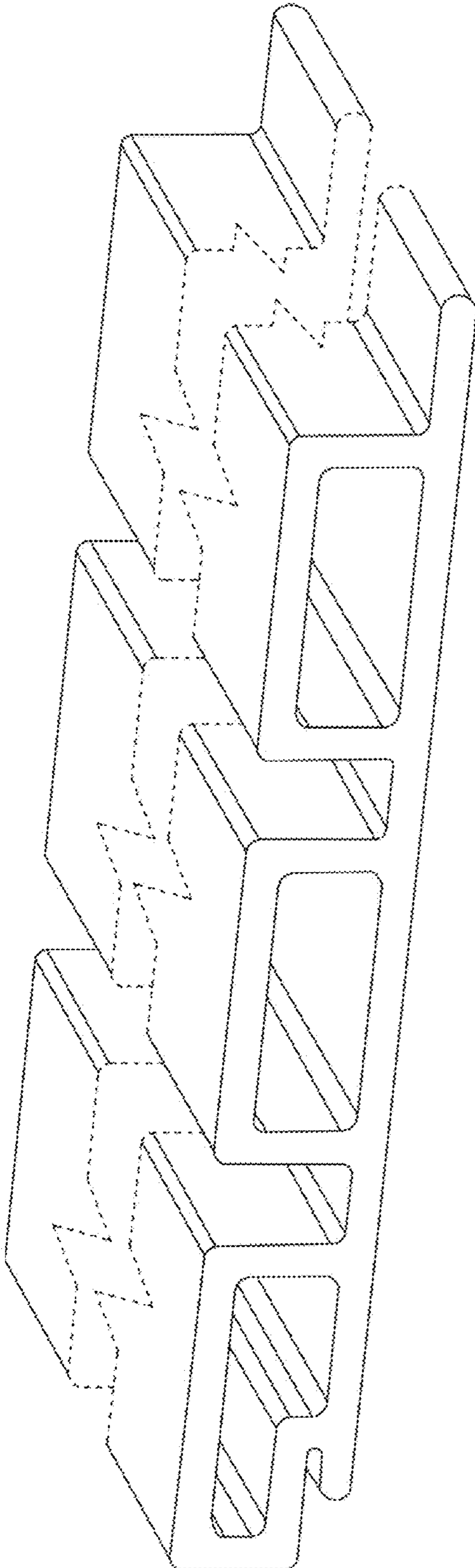


Fig. 1

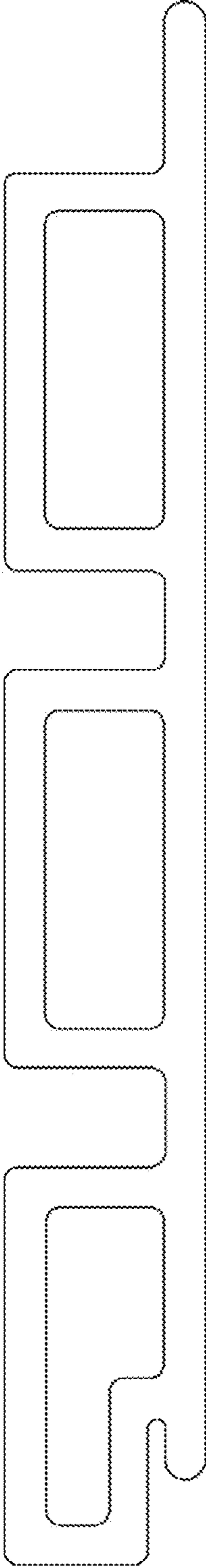


Fig. 2

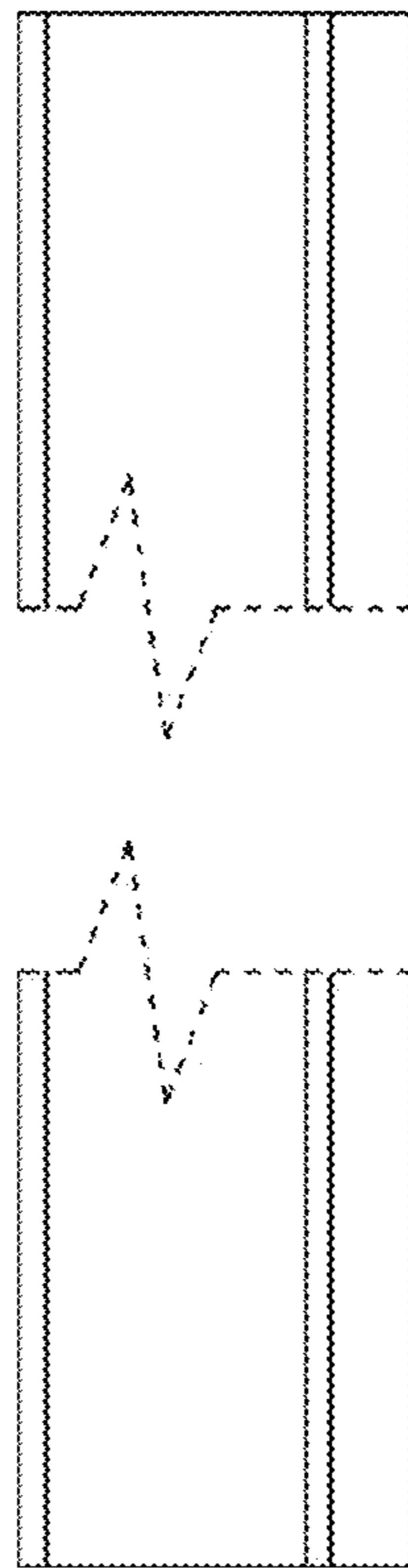


Fig. 3

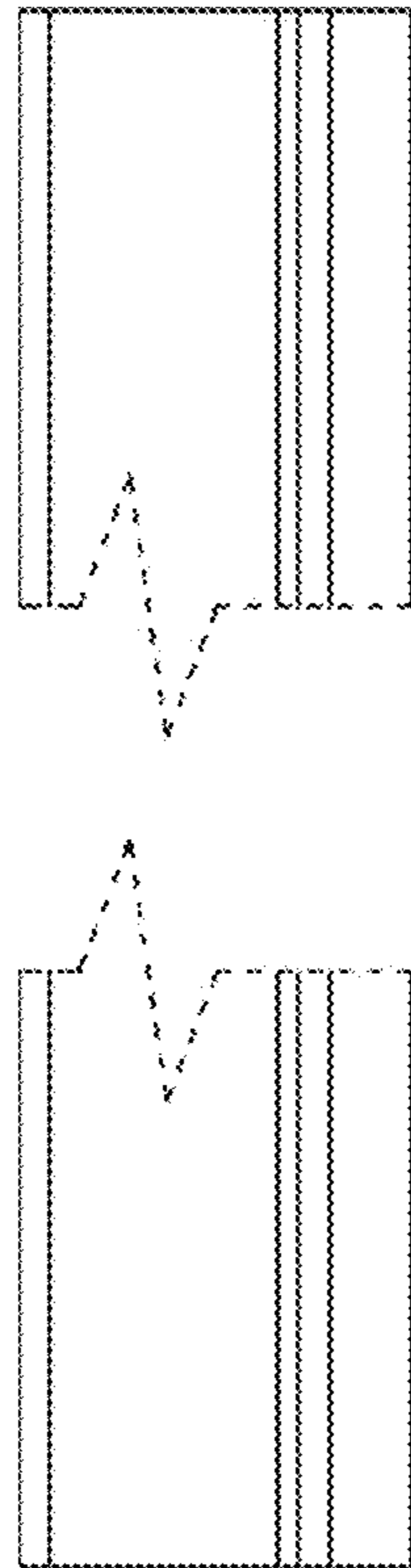


Fig. 4

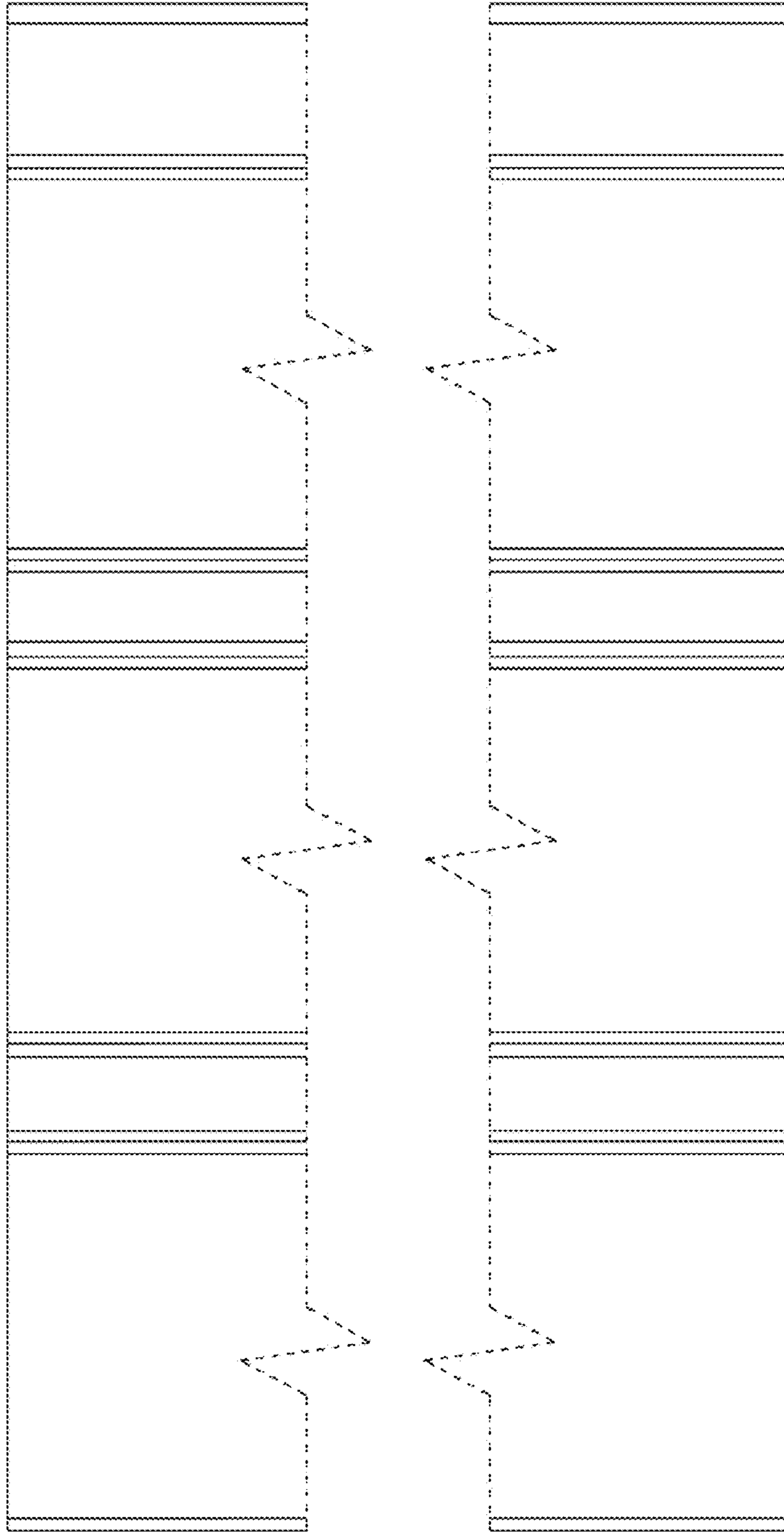


Fig. 5

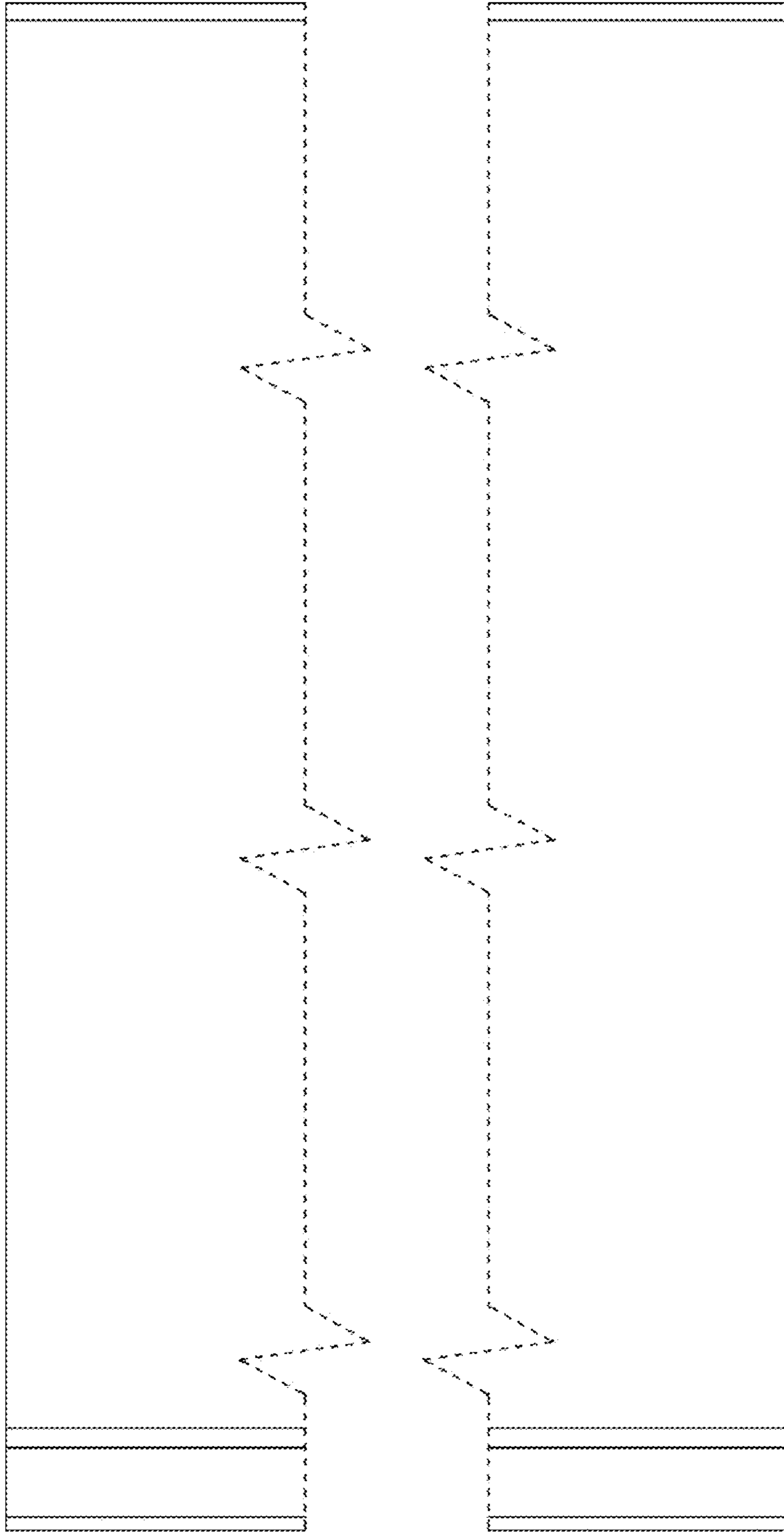


Fig. 6