



US00D955001S

(12) **United States Design Patent**  
**Reid**

(10) **Patent No.:** **US D955,001 S**  
(45) **Date of Patent:** **\*\* Jun. 14, 2022**

- (54) **DRAWBAR EXTRUSION**
- (71) Applicant: **Futura IP Limited**, Auckland (NZ)
- (72) Inventor: **Glen Reid**, Auckland (NZ)
- (73) Assignee: **FUTURA IP LIMITED**, Auckland (NZ)
- (\*\*) Term: **15 Years**
- (21) Appl. No.: **29/737,489**
- (22) Filed: **Jun. 9, 2020**

D767,166 S \* 9/2016 Sparks ..... D25/121  
 D811,626 S \* 2/2018 Sparks ..... D25/121  
 D812,782 S \* 3/2018 Dorman ..... D25/119  
 10,287,774 B2 \* 5/2019 Dietzen ..... E04C 3/11

\* cited by examiner

*Primary Examiner* — Gino Colan  
 (74) *Attorney, Agent, or Firm* — Patterson + Sheridan LLP

(30) **Foreign Application Priority Data**

Dec. 9, 2019 (NZ) ..... 426860

(51) **LOC (13) Cl.** ..... **25-01**

(52) **U.S. Cl.**  
USPC ..... **D25/121**

(58) **Field of Classification Search**  
 USPC ..... D25/119–125  
 CPC ..... B21C 23/00; E04C 2003/0417; E04C  
 2003/0439; E04C 2003/0452; E04C  
 2003/0465; E04C 2003/0473; E04C 3/00;  
 E04C 3/04; E04C 3/28  
 See application file for complete search history.

(56) **References Cited**

**U.S. PATENT DOCUMENTS**

7,877,937 B2 \* 2/2011 Dutra ..... H01L 31/0543  
 52/173.3  
 D644,339 S \* 8/2011 Sutton ..... D25/121

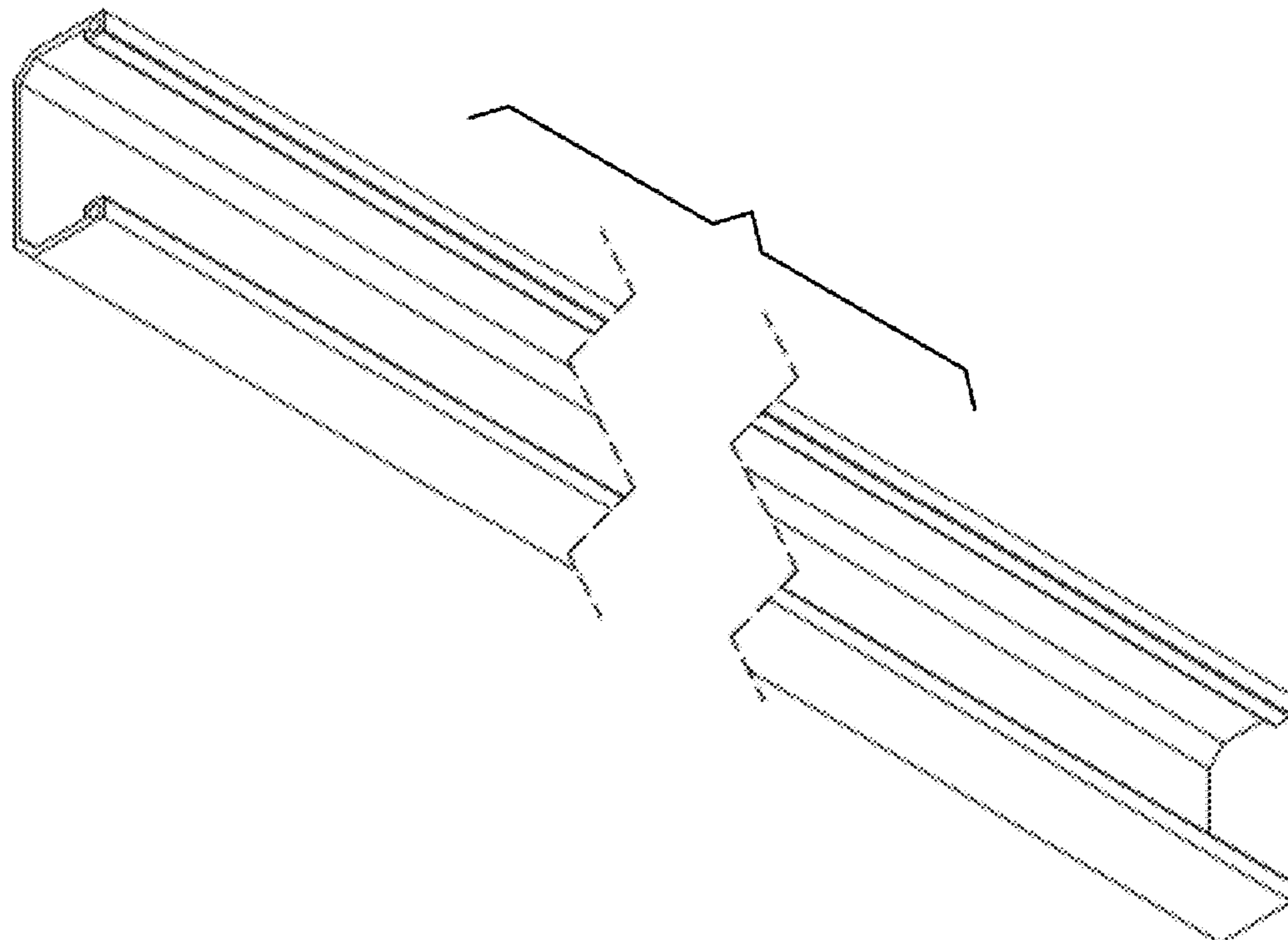
(57) **CLAIM**

The ornamental design for a drawbar extrusion, as shown and described.

**DESCRIPTION**

FIG. 1 is a front perspective view showing my new design for a drawbar extrusion,  
 FIG. 2 is a rear perspective view,  
 FIG. 3 is an alternate front perspective view,  
 FIG. 4 is a top view,  
 FIG. 5 is a front view,  
 FIG. 6 is bottom view,  
 FIG. 7 is an end view, shown in a larger scale; and,  
 FIG. 8 is an opposite end view, shown in a larger scale.  
 The drawer extrusion is shown with symbolic breaks in its length. The appearance of any portion of the article between the break lines form no part of the claimed design.

**1 Claim, 5 Drawing Sheets**



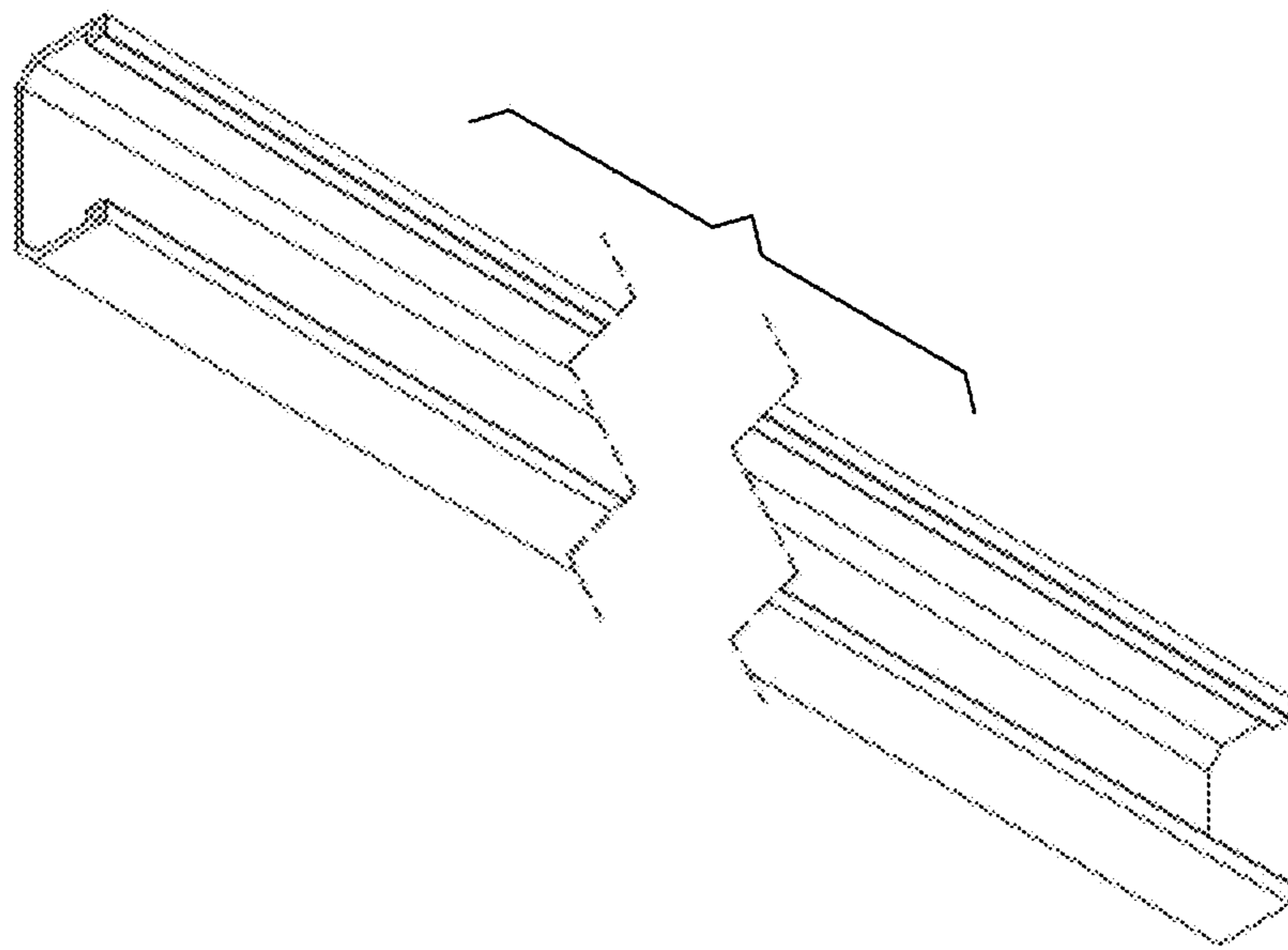


Fig. 1

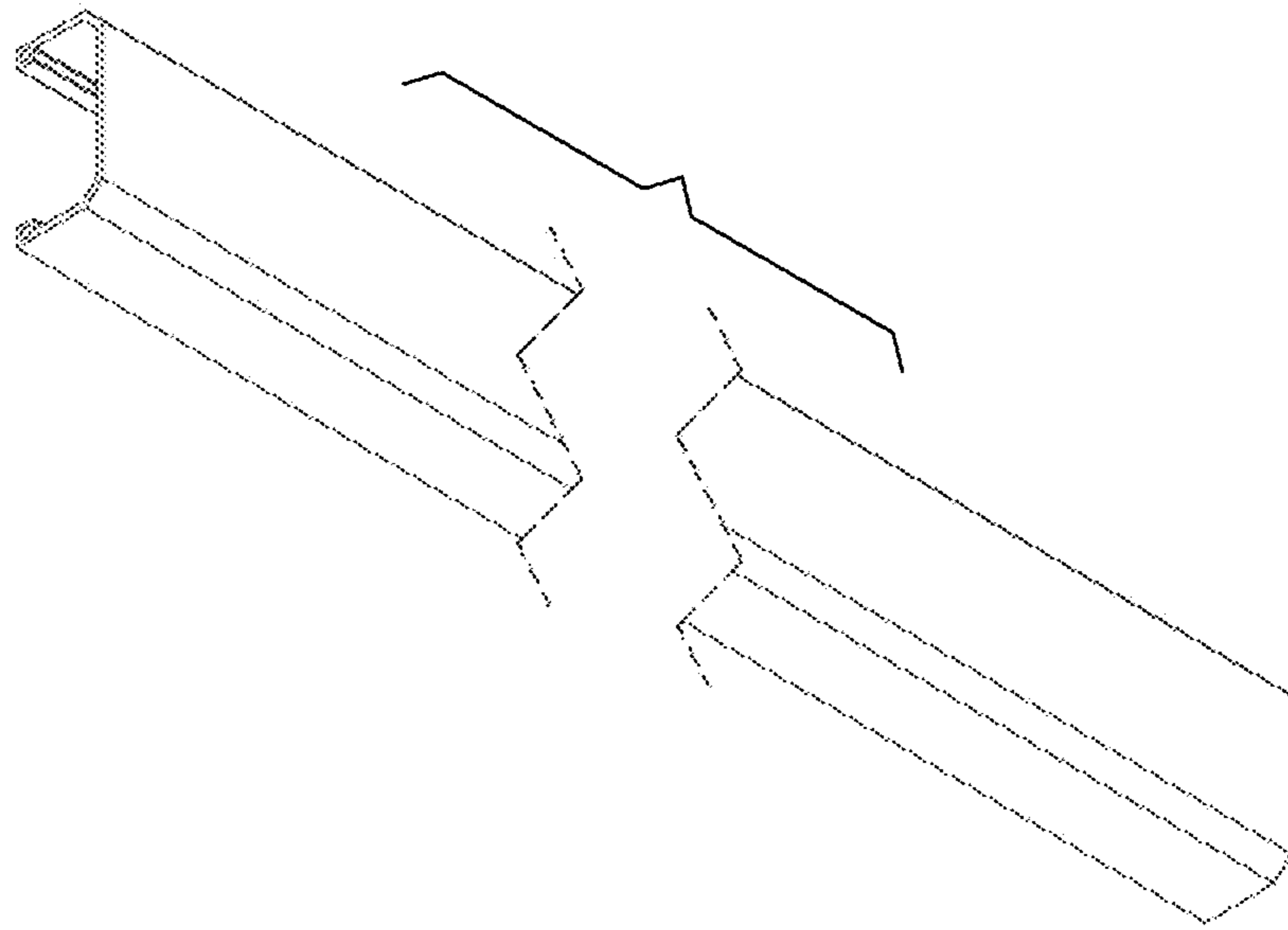


Fig. 2

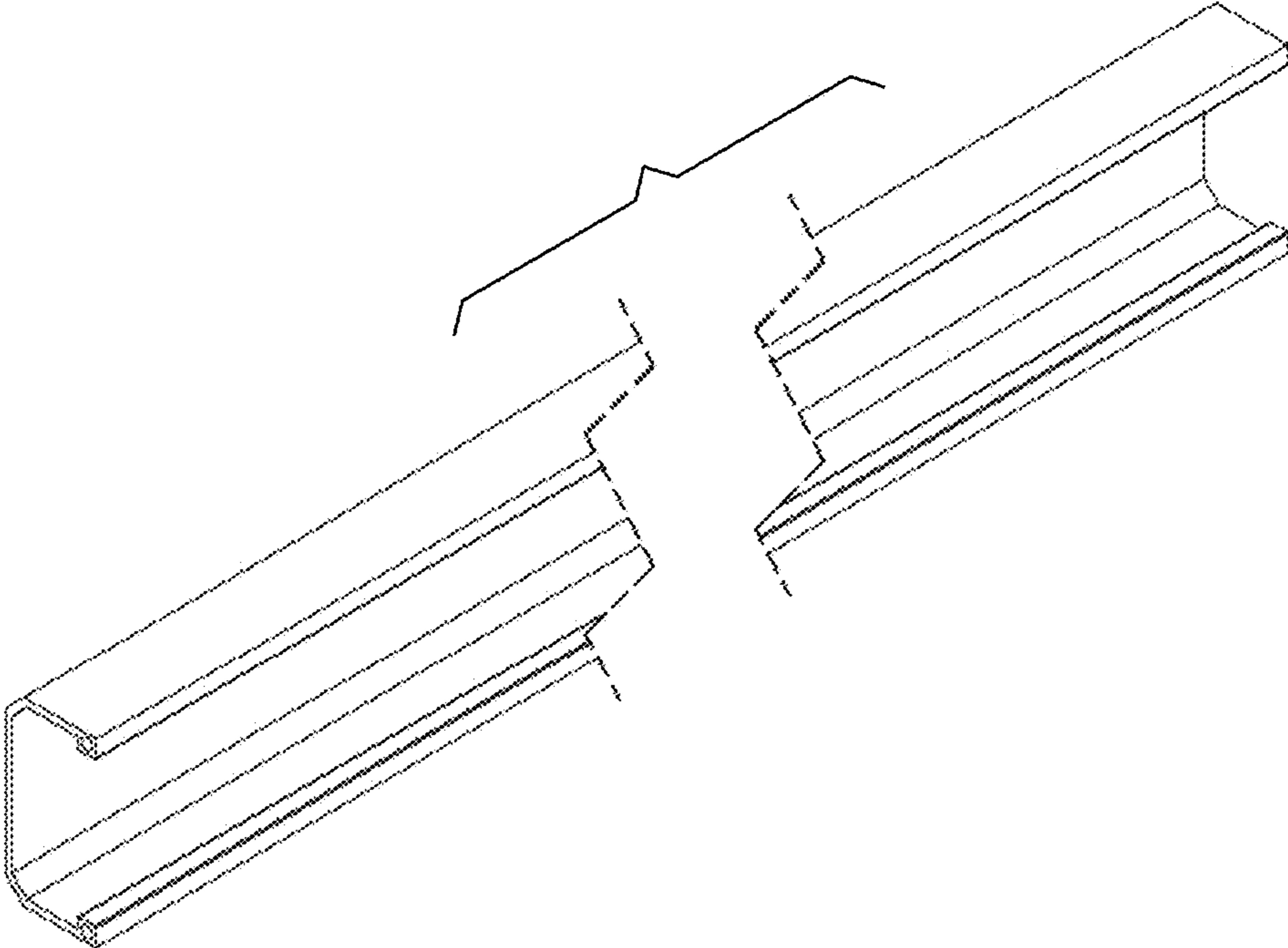


Fig. 3

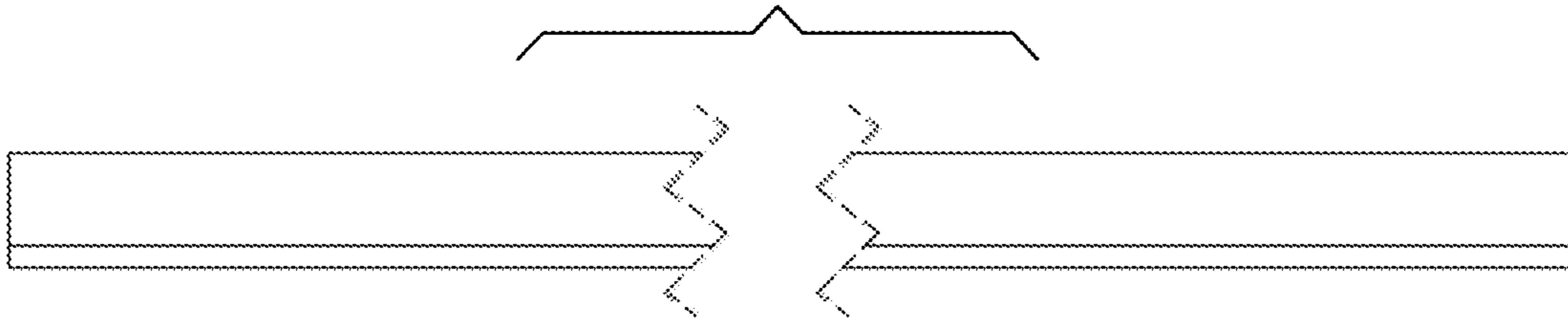


Fig. 4

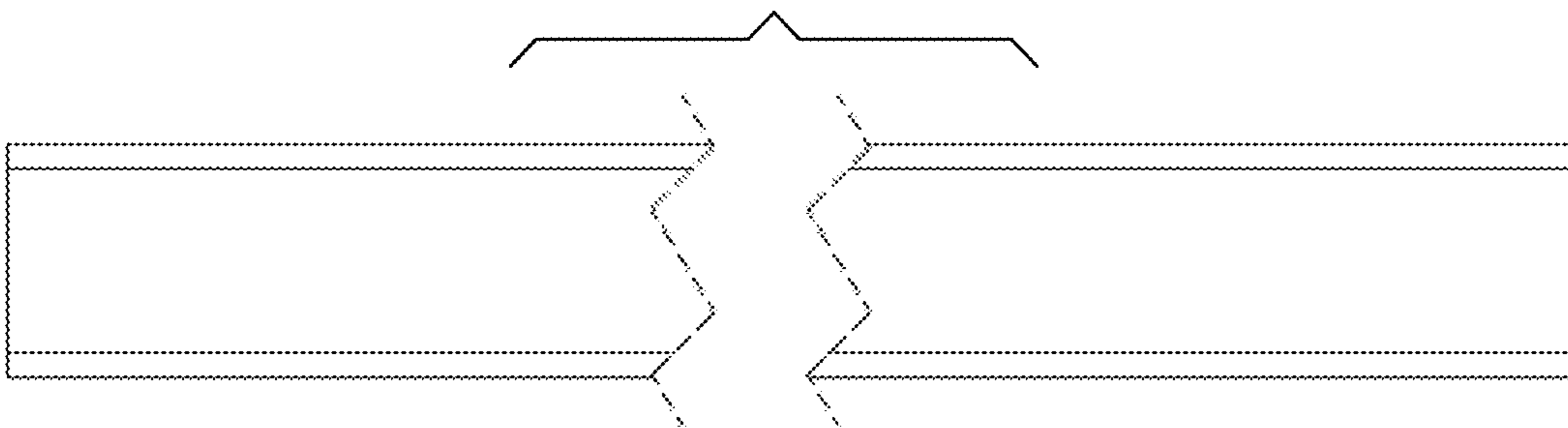


Fig. 5

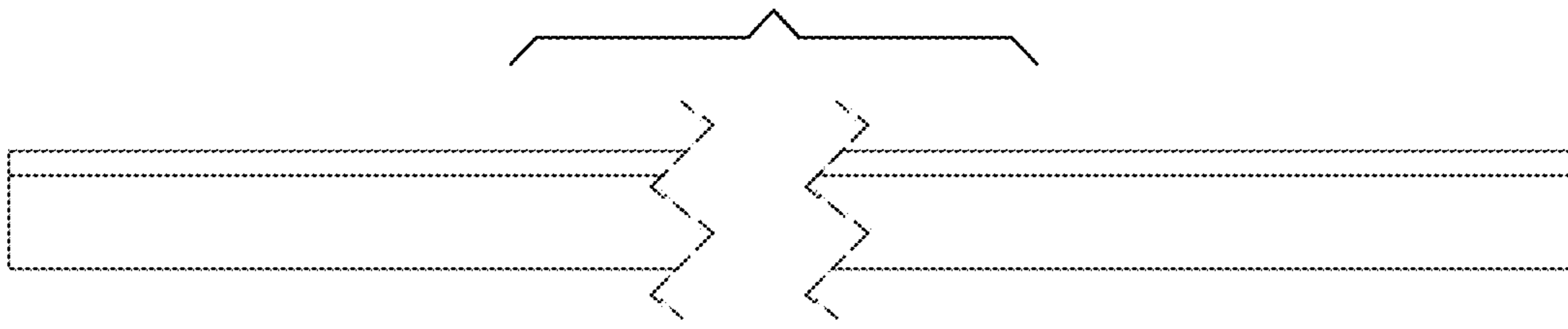


Fig. 6

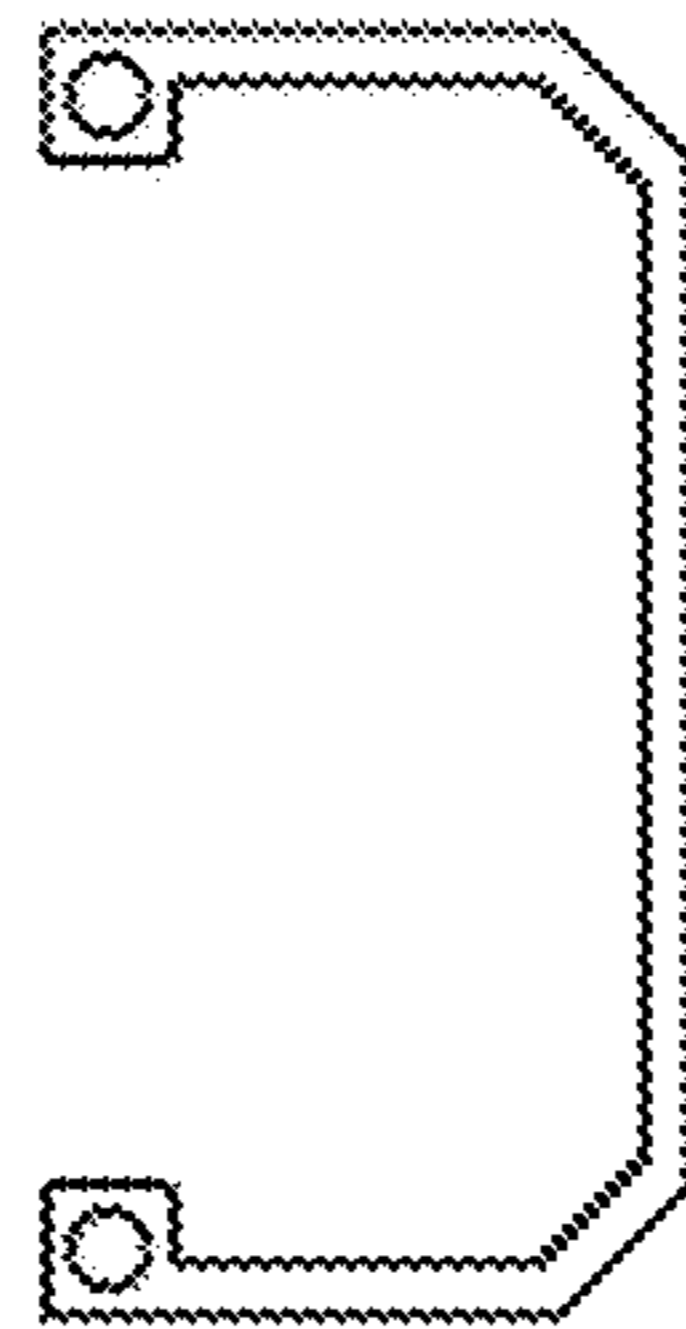


Fig. 7



Fig. 8