



US00D955000S

(12) **United States Design Patent**  
**Bilge**

(10) **Patent No.:** **US D955,000 S**  
(45) **Date of Patent:** **\*\* Jun. 14, 2022**

(54) **OUTSIDE CORNER ADJUSTABLE SUPPORT ASSEMBLY FOR MOUNTING WALL PANELS UNTO AN EXISTING WALL**

(71) Applicant: **Henry H. Bilge**, Fort Lee, NJ (US)

(72) Inventor: **Henry H. Bilge**, Fort Lee, NJ (US)

(\*\*) Term: **15 Years**

(21) Appl. No.: **29/748,268**

(22) Filed: **Aug. 27, 2020**

(51) **LOC (13) Cl.** ..... **25-01**

(52) **U.S. Cl.**  
USPC ..... **D25/119**

(58) **Field of Classification Search**  
USPC ..... D25/119-125; 296/29, 156, 184.1;  
D6/702

CPC ..... B21C 23/00; E04C 2003/0417; E04C  
2003/0439; E04C 2003/0452; E04C  
2003/0465; E04C 2003/0473; E04C 3/00;  
E04C 3/04; E04C 3/28; E06B 1/00

See application file for complete search history.

(56) **References Cited**

**U.S. PATENT DOCUMENTS**

D384,169 S \* 9/1997 Leonelli ..... D25/119  
7,735,891 B2 \* 6/2010 Goode ..... B62D 33/044  
296/29

7,896,427 B2 \* 3/2011 Adams ..... B62D 25/2054  
296/184.1  
D702,466 S \* 4/2014 Kim ..... D6/702  
D799,066 S \* 10/2017 Tremaine ..... D25/119  
D818,186 S \* 5/2018 Trzesniowski ..... D26/138  
2009/0021046 A1 \* 1/2009 Goff ..... B62D 33/046  
296/156

\* cited by examiner

*Primary Examiner* — Gino Colan

(74) *Attorney, Agent, or Firm* — Joshua Kaplan, Esq;  
Kaplan Law Practice LLC

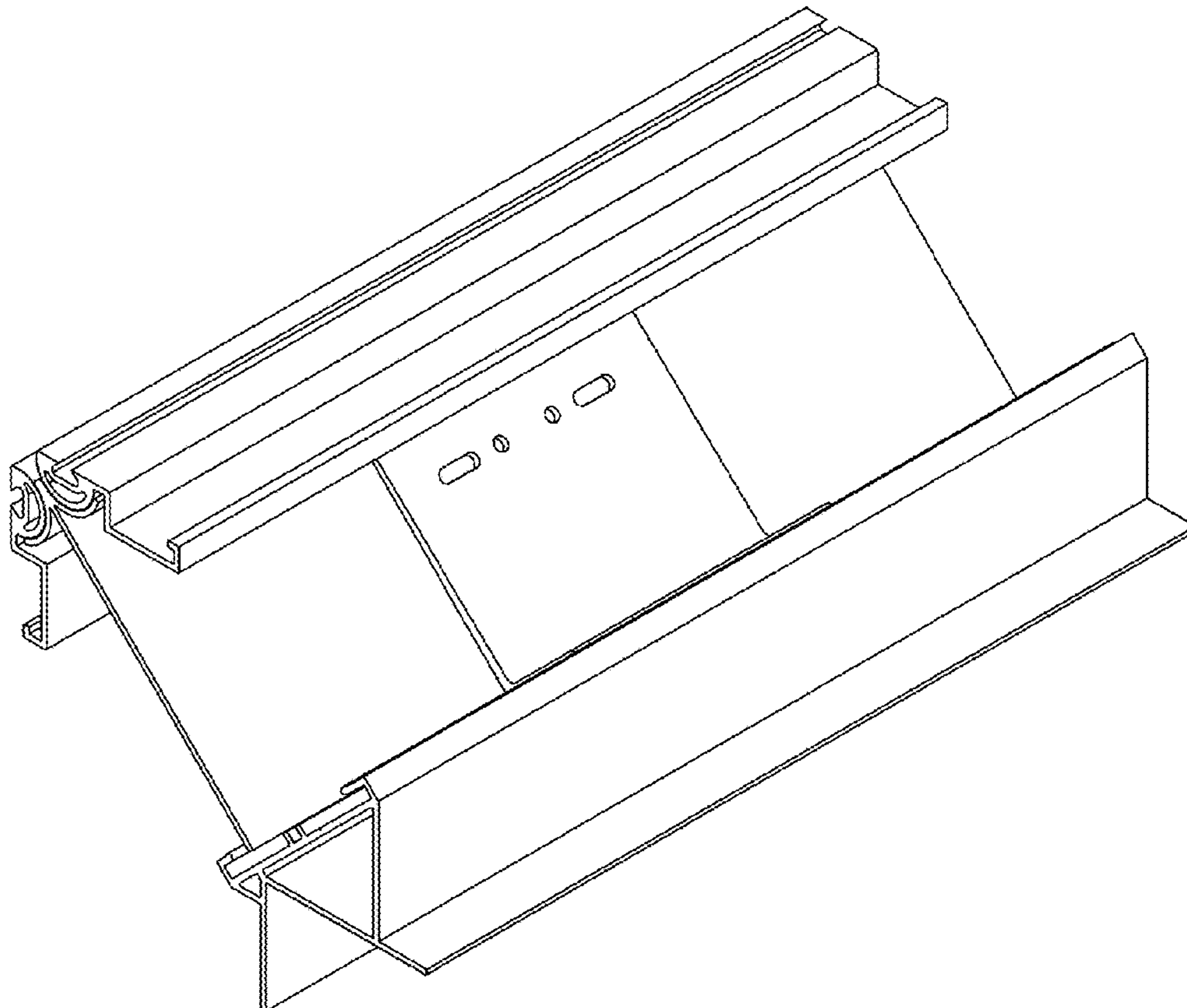
(57) **CLAIM**

I claim the ornamental design for an outside corner adjustable support assembly for mounting wall panels unto an existing wall, as shown and described.

**DESCRIPTION**

FIG. 1 is a front right perspective view of an outside corner adjustable support assembly for mounting wall panels unto an existing wall showing my new design; FIG. 2 is a back left perspective view thereof; FIG. 3 is a front top perspective view thereof; FIG. 4 is a back elevational view thereof; FIG. 5 is a left plan view thereof; FIG. 6 is a right plan view thereof; FIG. 7 is a top plan view thereof; and, FIG. 8 is a bottom plan view thereof.

**1 Claim, 8 Drawing Sheets**



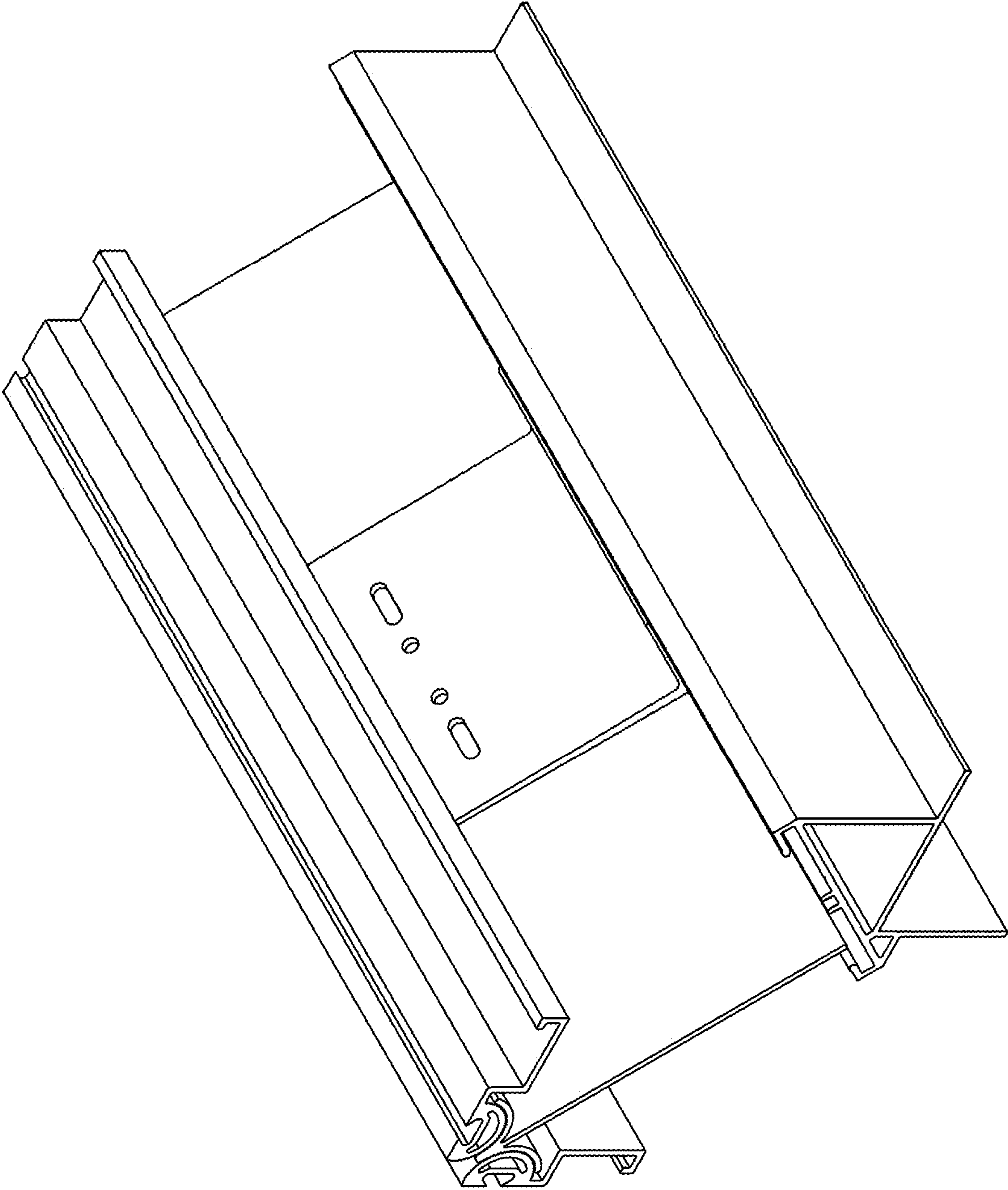


FIG.1

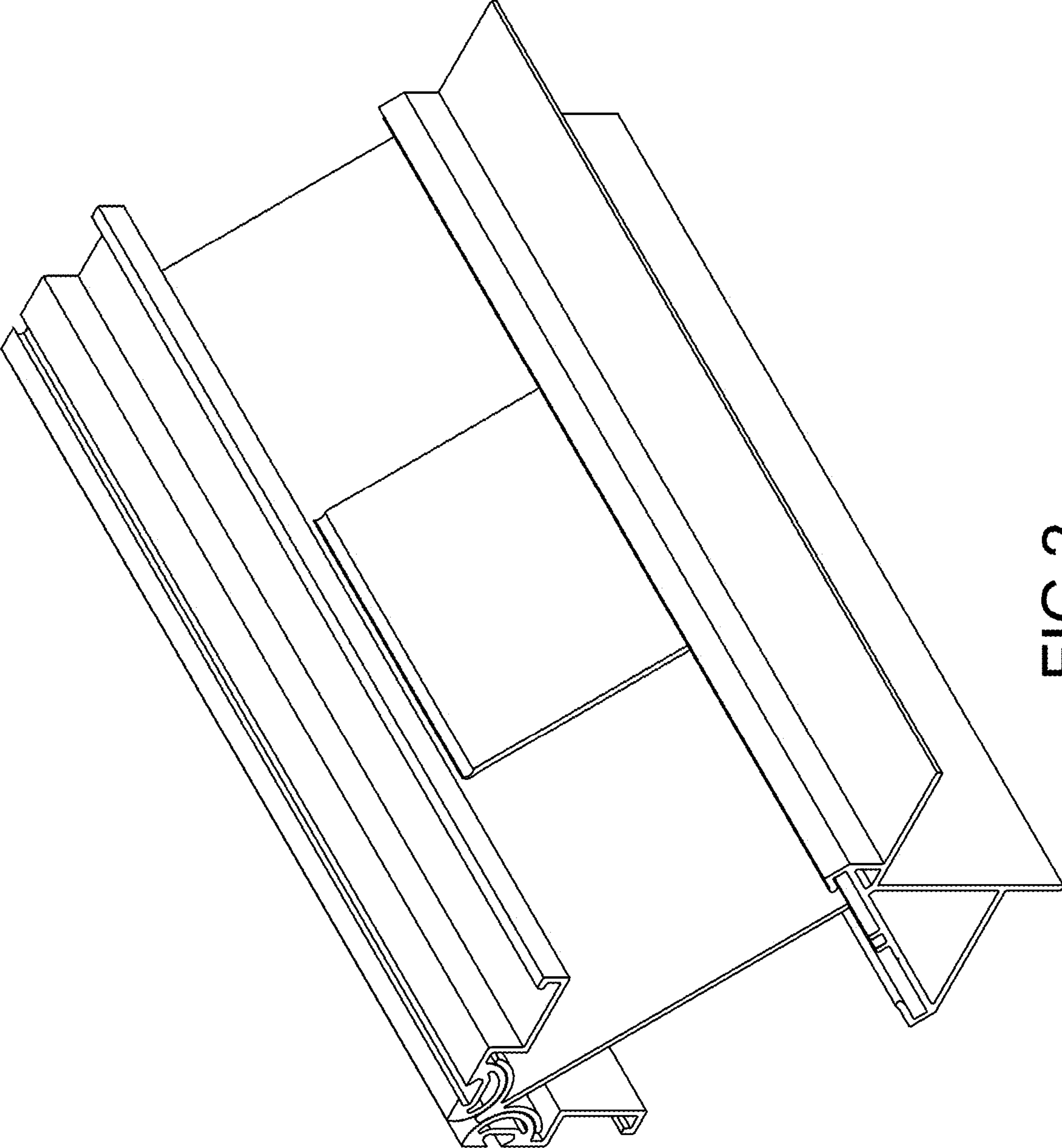


FIG.2



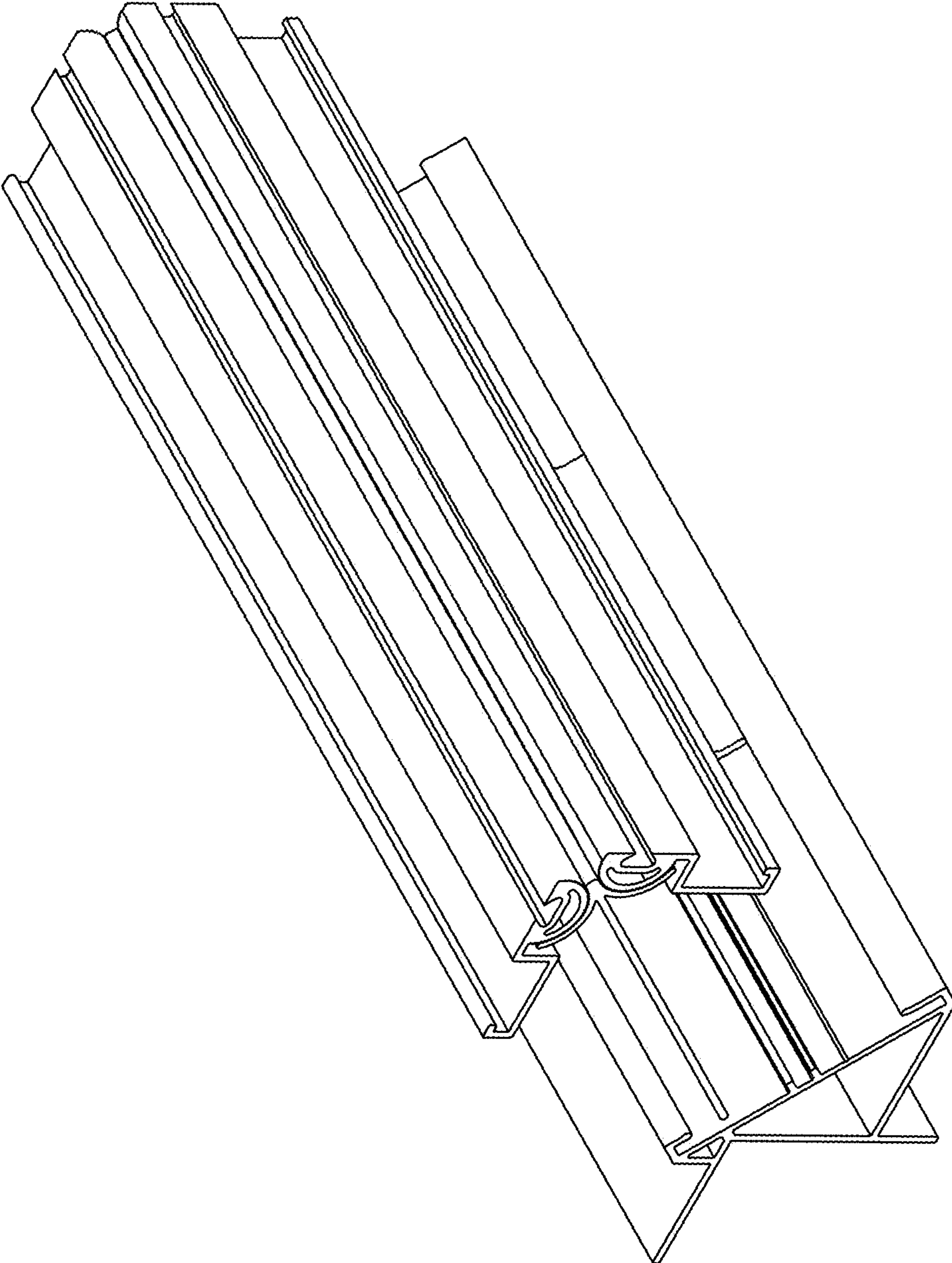


FIG.3

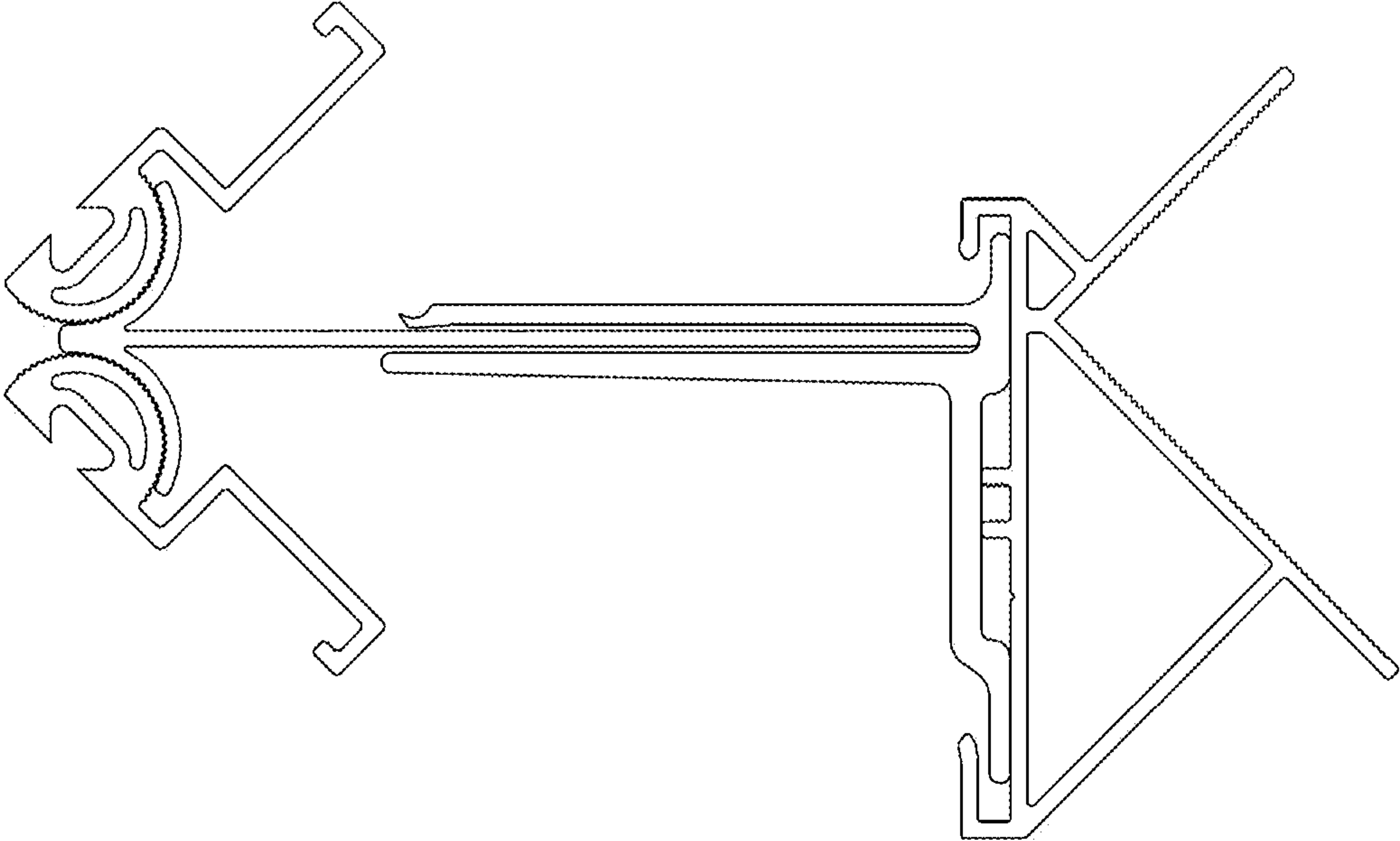


FIG. 4

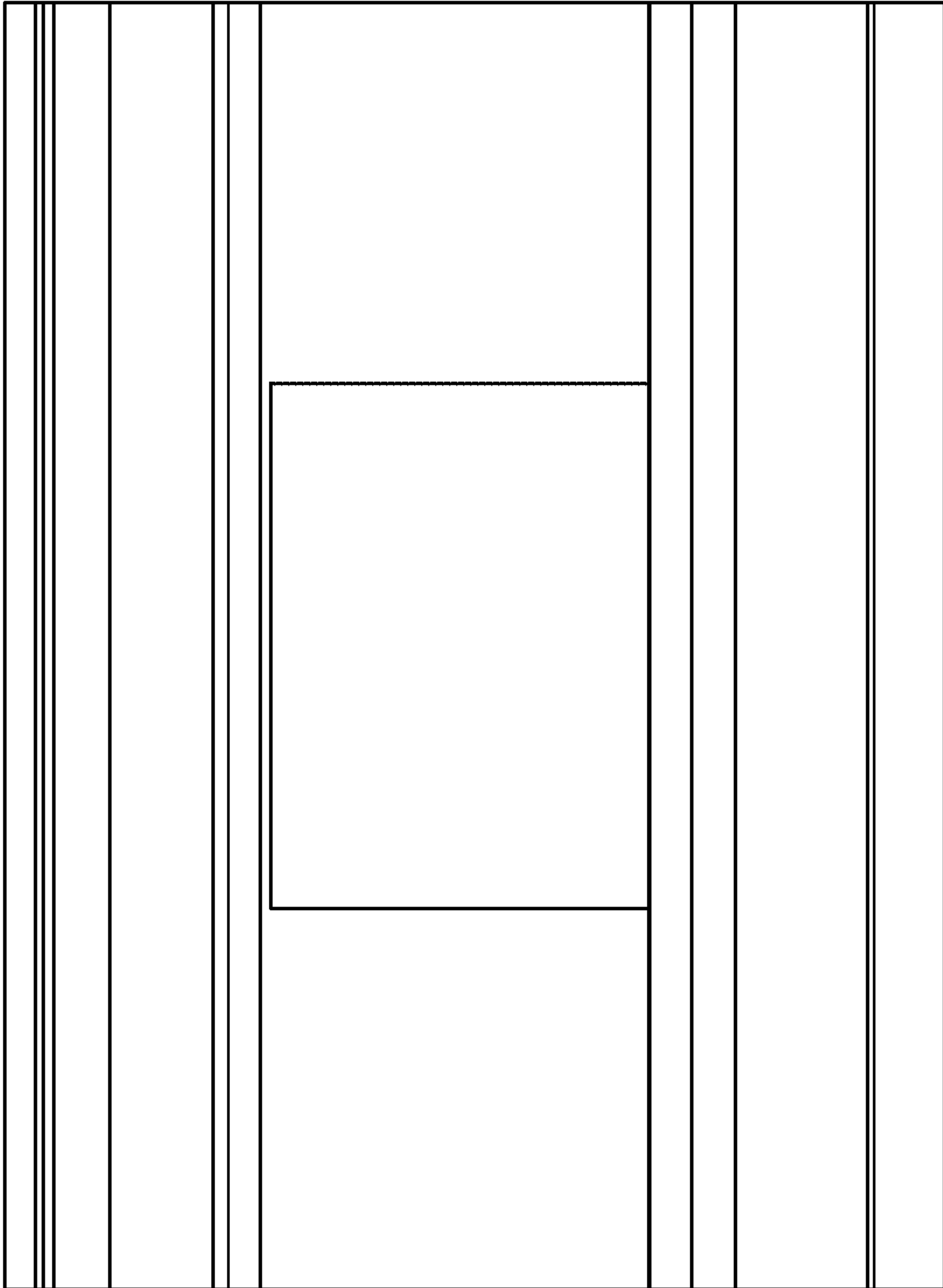


FIG.5

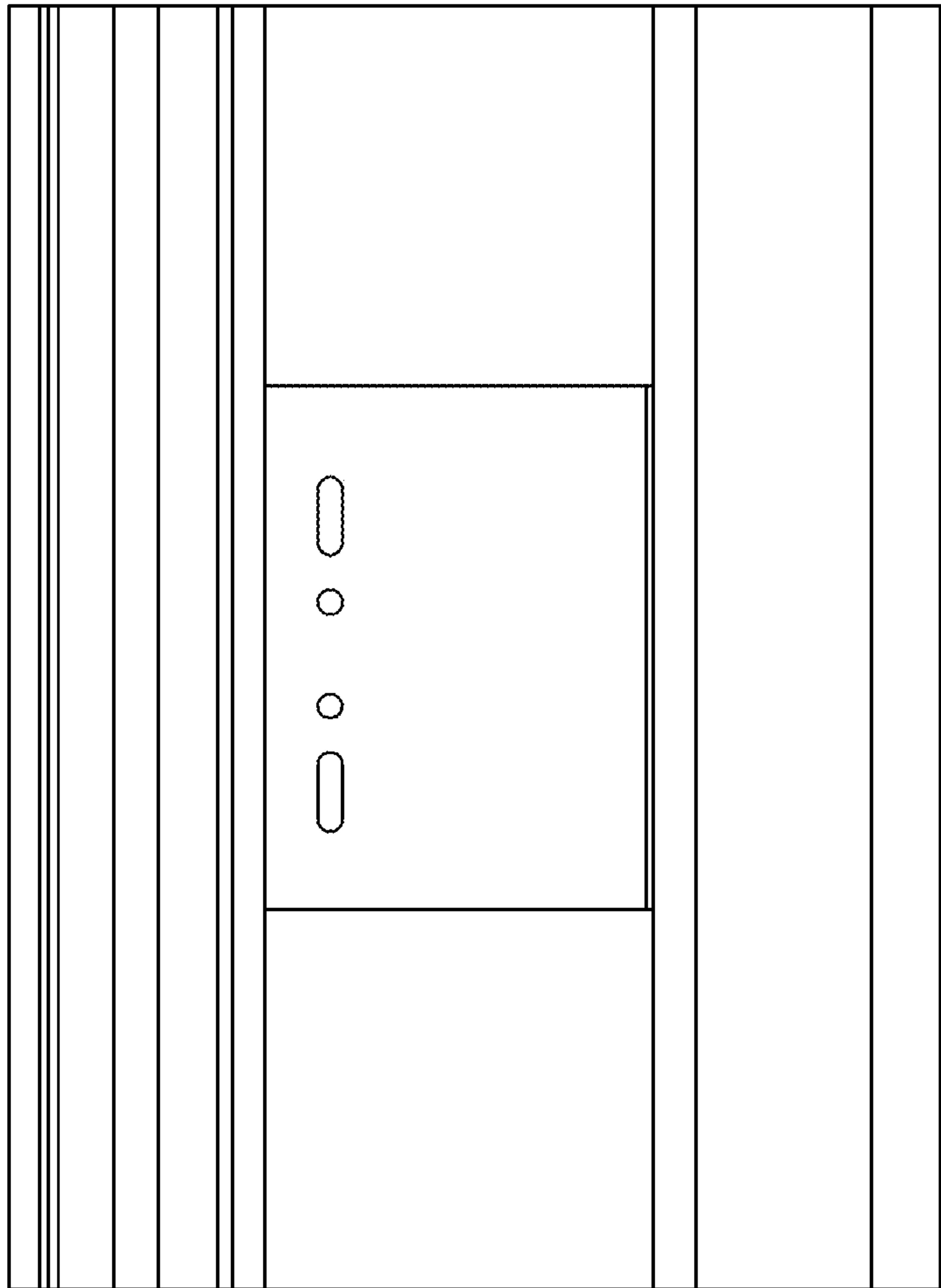


FIG. 6

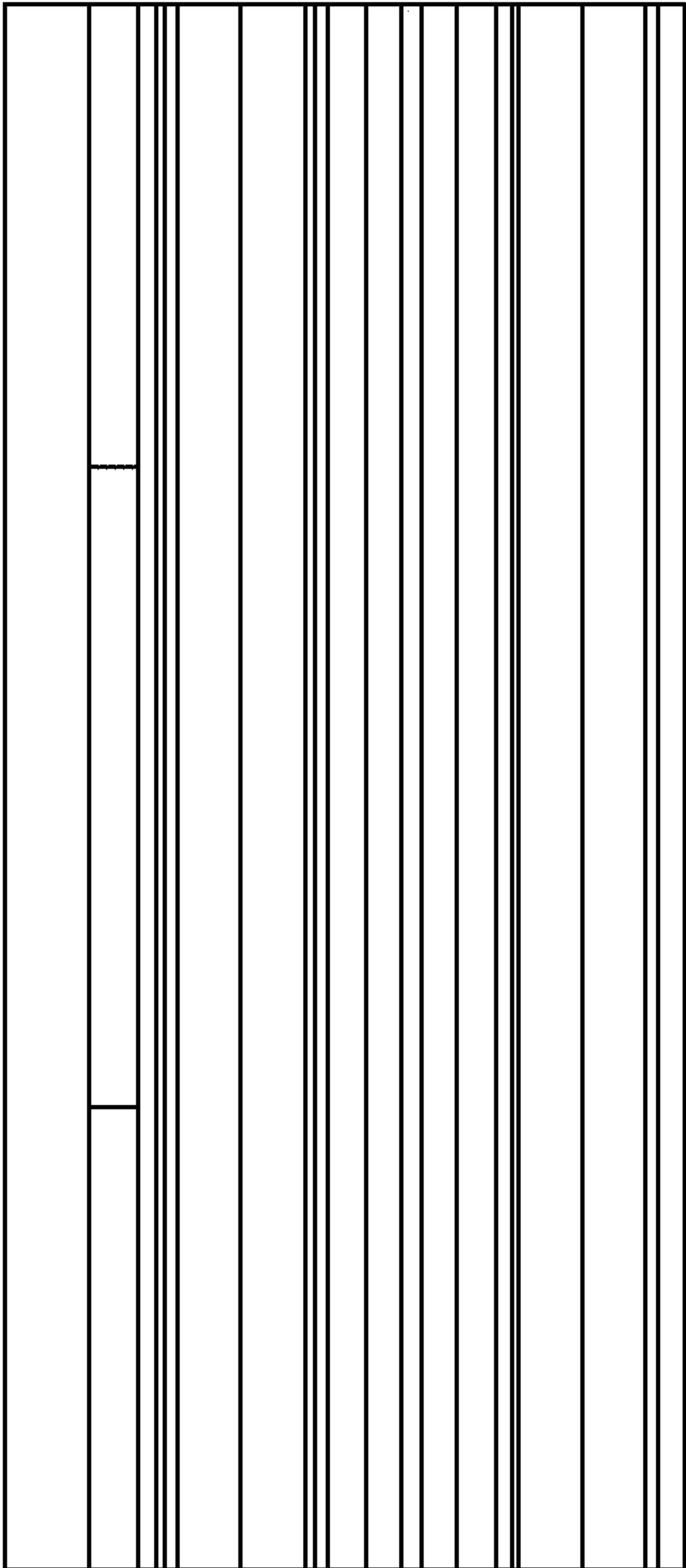


FIG.7



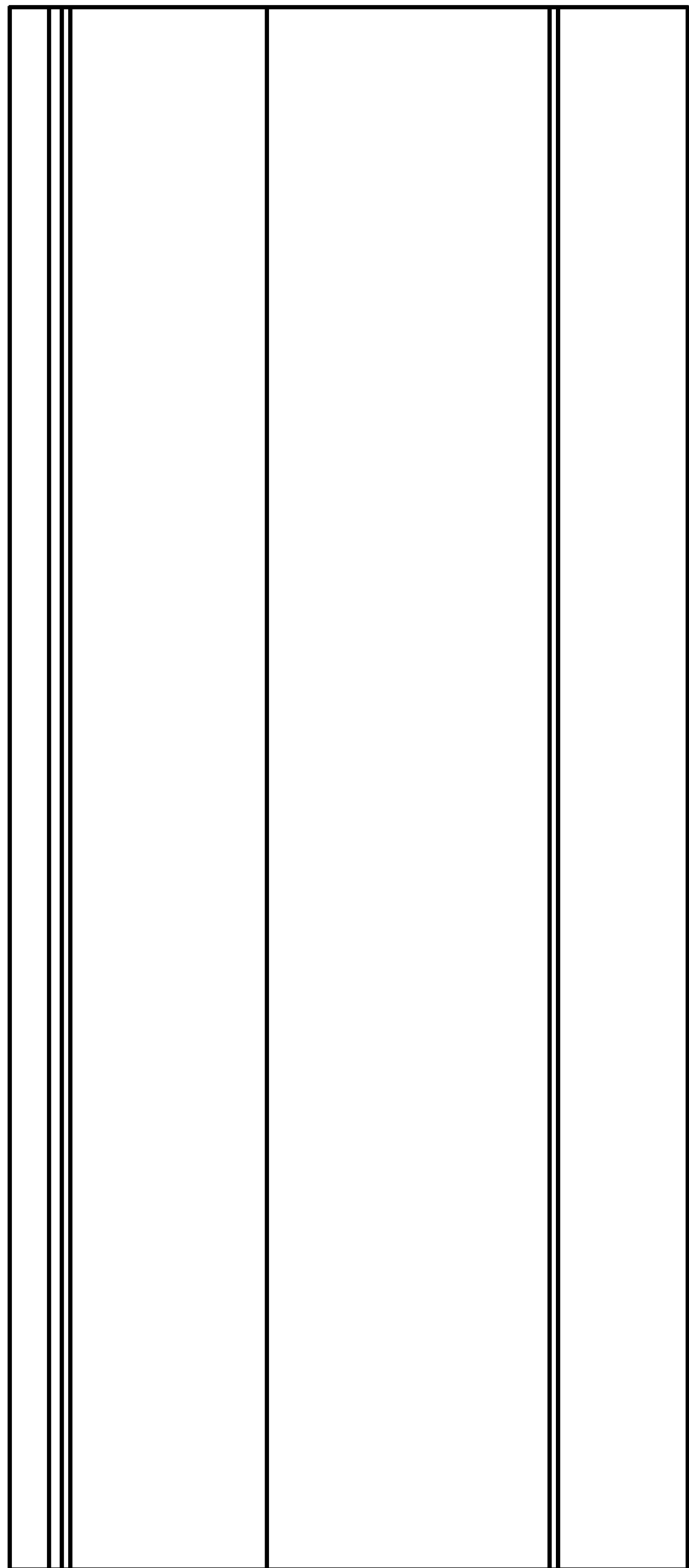


FIG.8