



US00D954999S

(12) **United States Design Patent**
VandenBerg

(10) **Patent No.:** **US D954,999 S**
(45) **Date of Patent:** **** Jun. 14, 2022**

- (54) **EROSION BARRIER**
- (71) Applicant: **VandenBerg Brothers, Inc.**, Ravenna, MI (US)
- (72) Inventor: **Andrew J. VandenBerg**, Ravenna, MI (US)
- (73) Assignee: **VandenBerg Brothers, Inc.**, Ravenna, MI (US)

D340,568	S	*	10/1993	Lane	D25/113
D344,349	S	*	2/1994	Ohta	D25/113
5,441,362	A	*	8/1995	Melby	E02B 3/129 405/16
D673,299	S	*	12/2012	Balducki	D25/63
9,157,204	B2	*	10/2015	Pierce, Jr.	E02B 3/08
9,181,668	B1	*	11/2015	Hill	E02B 3/122
D910,250	S	*	2/2021	Fink	D25/63
2004/0156680	A1		8/2004	Gibbs		
2006/0159518	A1	*	7/2006	Cravens	B29C 41/48 428/36.9
2006/0275081	A1		12/2006	Medina Folgado et al.		
2007/0116522	A1		5/2007	Boudreaux, Jr.		

(**) Term: **15 Years**

(21) Appl. No.: **29/737,014**

(22) Filed: **Jun. 4, 2020**

(51) **LOC (13) Cl.** **25-02**

(52) **U.S. Cl.**
USPC **D25/113**

(58) **Field of Classification Search**
USPC D21/483, 484, 504, 505; D25/62, 63, D25/112-118
CPC . E02B 3/04; E02B 3/106; E02B 3/108; E02B 3/122; E02B 3/129; B29C 41/06; B29C 41/386; B29C 41/48
See application file for complete search history.

(56) **References Cited**

U.S. PATENT DOCUMENTS

RE24,632	E	*	4/1959	Danel et al.	E02B 3/129 D25/113
3,393,520	A	*	7/1968	Butterworth	E02B 3/06 405/21
3,415,061	A	*	12/1968	Staempfli	E02B 3/06 405/34
4,502,816	A	*	3/1985	Creter, Jr.	E02B 3/06 D12/217
D302,313	S	*	7/1989	Lenson	D25/113
D339,898	S	*	10/1993	Lane	D25/113
D340,118	S	*	10/1993	Lane	D25/113
D340,119	S	*	10/1993	Lane	D25/113

FOREIGN PATENT DOCUMENTS

CN			304288743	*	9/2017
KR			300453194.0000	*	6/2007

Primary Examiner — Leanne Was-Englehart

(74) *Attorney, Agent, or Firm* — Warner Norcross + Judd LLP

(57) **CLAIM**

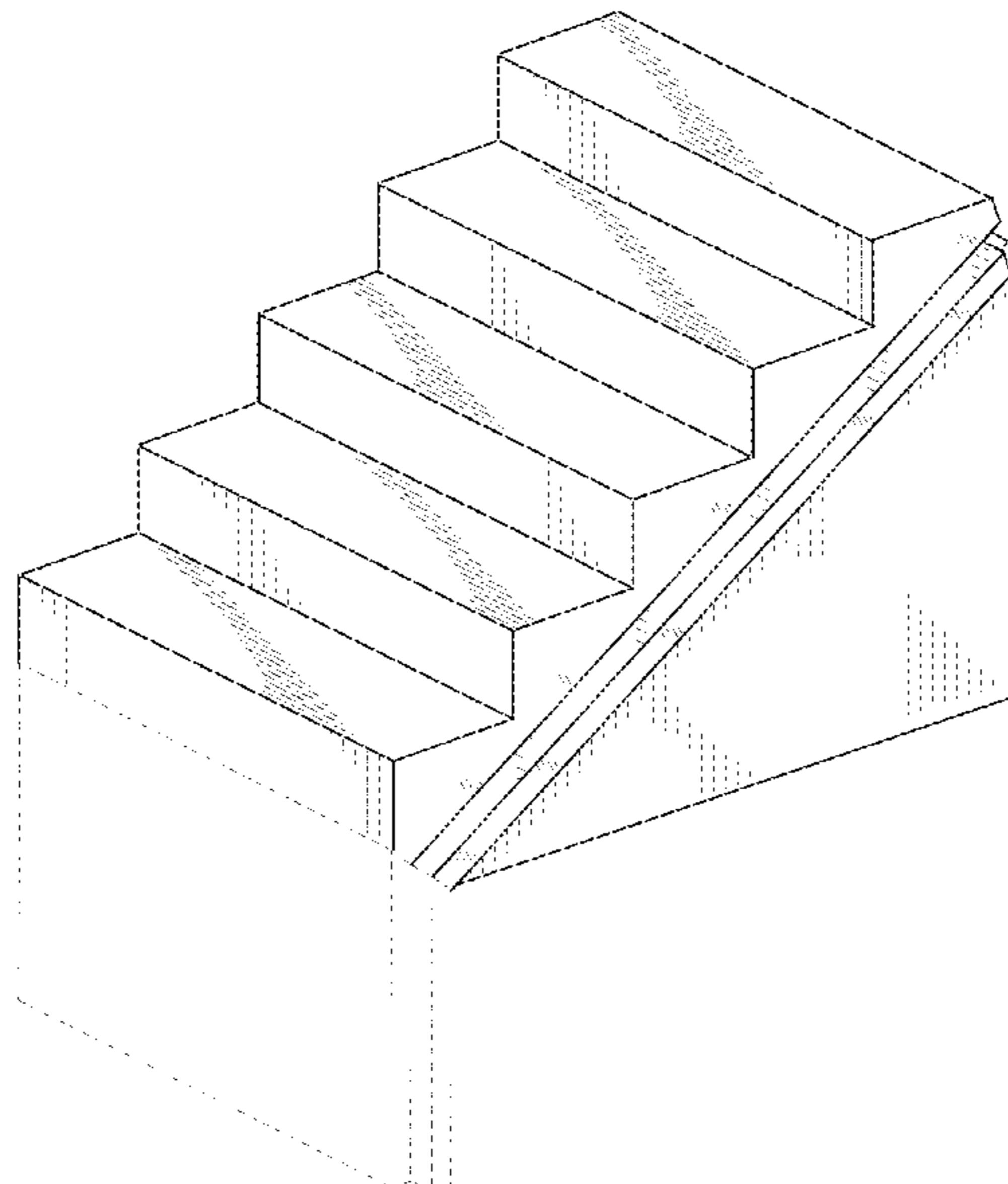
The ornamental design for an erosion barrier, as shown and described.

DESCRIPTION

FIG. 1 is a front perspective view of the erosion barrier; FIG. 2 is a top view thereof; FIG. 3 is a bottom view thereof; FIG. 4 is a right side view thereof; FIG. 5 is a left side view thereof; FIG. 6 is a front view thereof; and, FIG. 7 is a rear view thereof.

Features shown in broken lines do not form any part of the claimed design. Any broken lines immediately adjacent the solid-line portions of the design form the boundary of the design, with the broken lines forming no part of the claimed design.

1 Claim, 7 Drawing Sheets



(56)

References Cited

U.S. PATENT DOCUMENTS

2014/0314484 A1 * 10/2014 Pierce, Jr. E02B 3/046
405/31

* cited by examiner

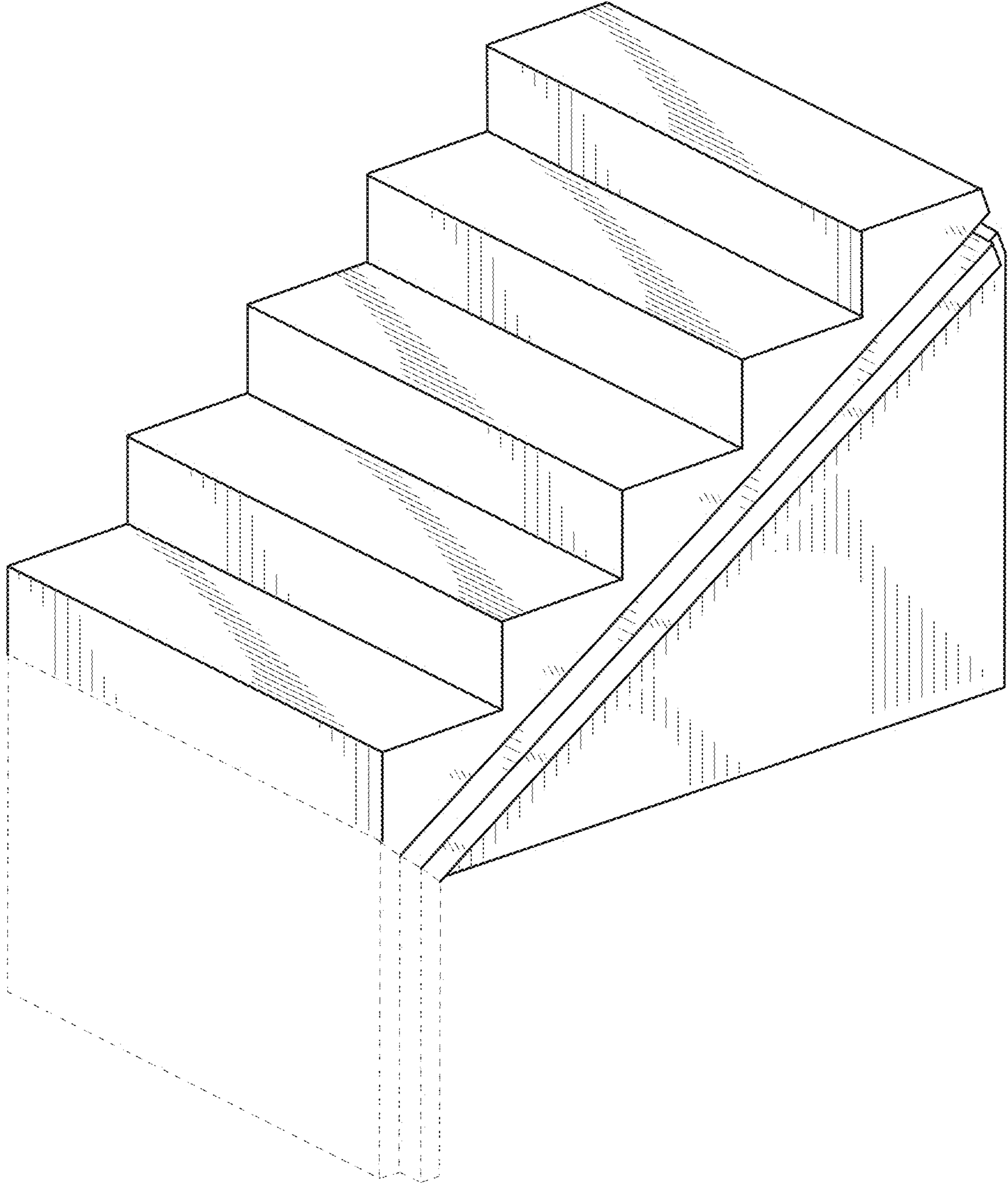


Fig. 1

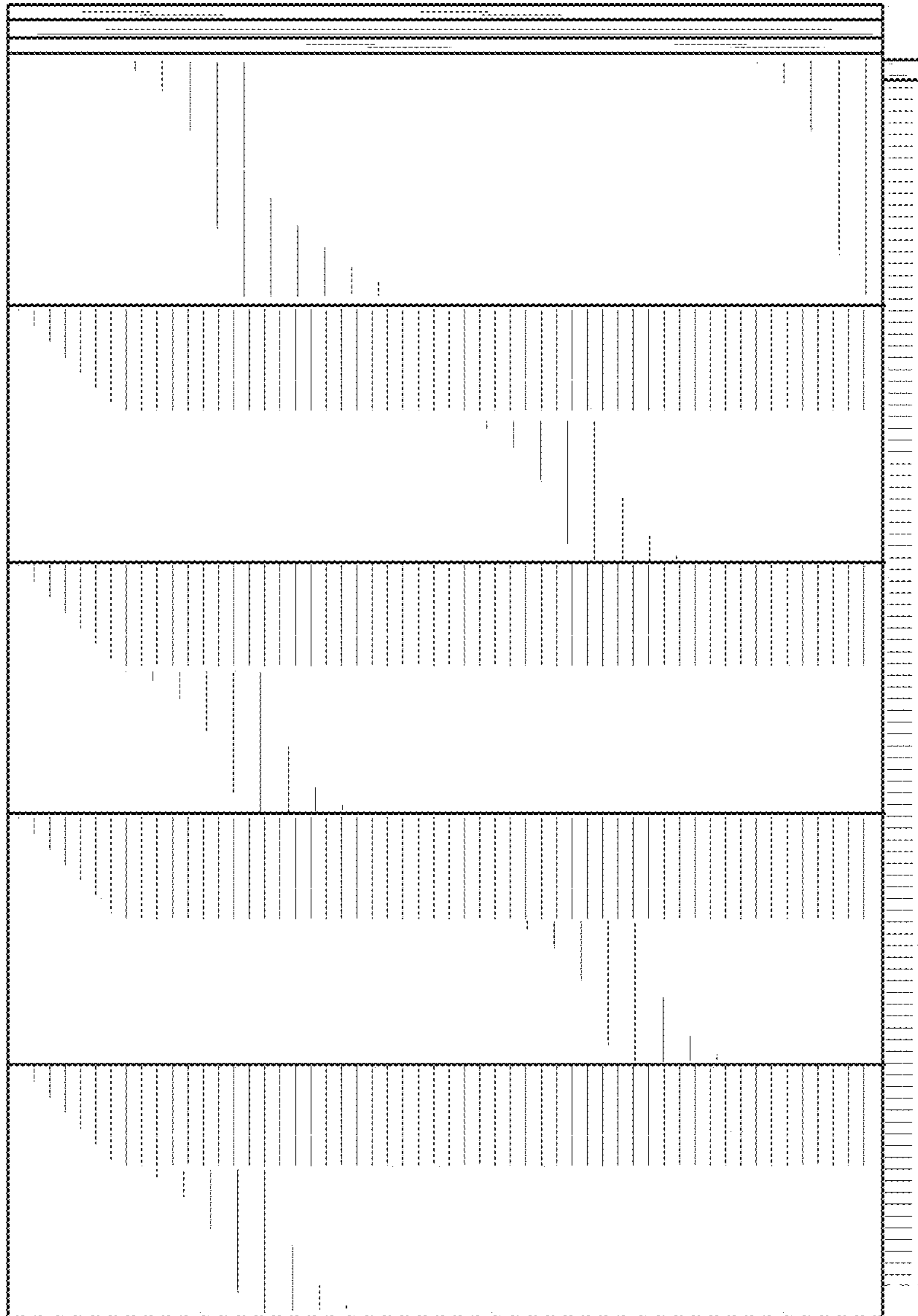


Fig. 2

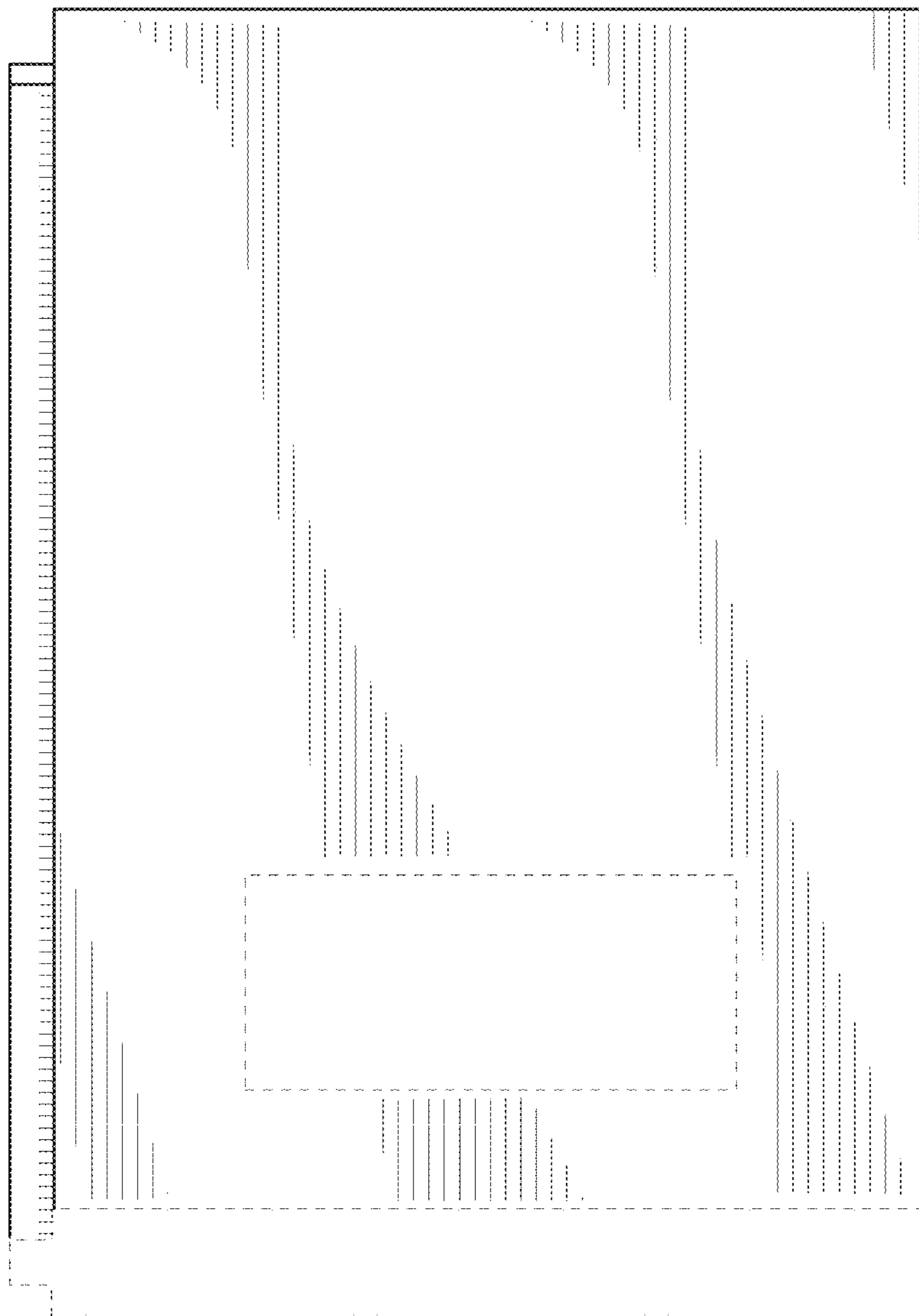


Fig. 3

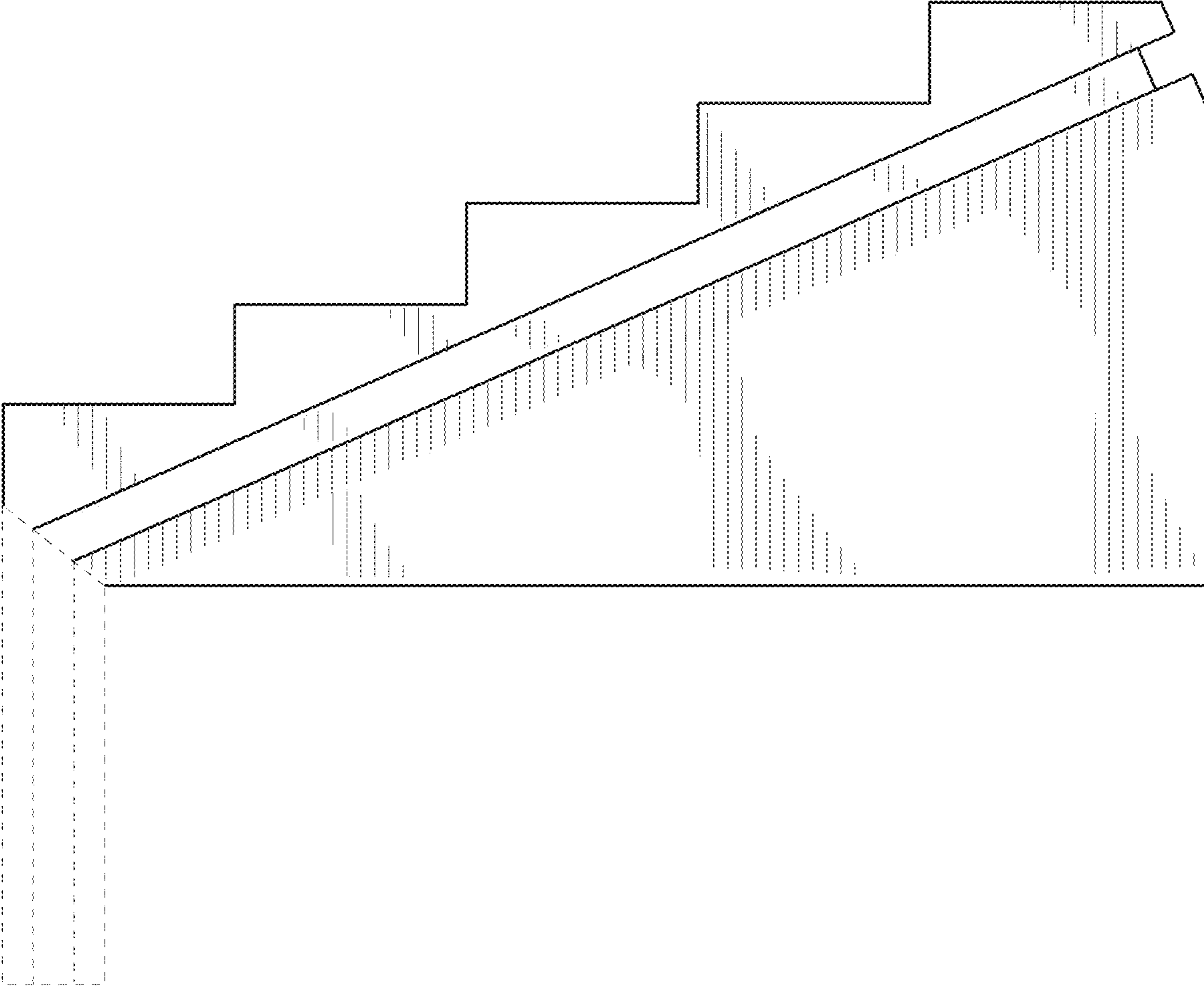


Fig. 4

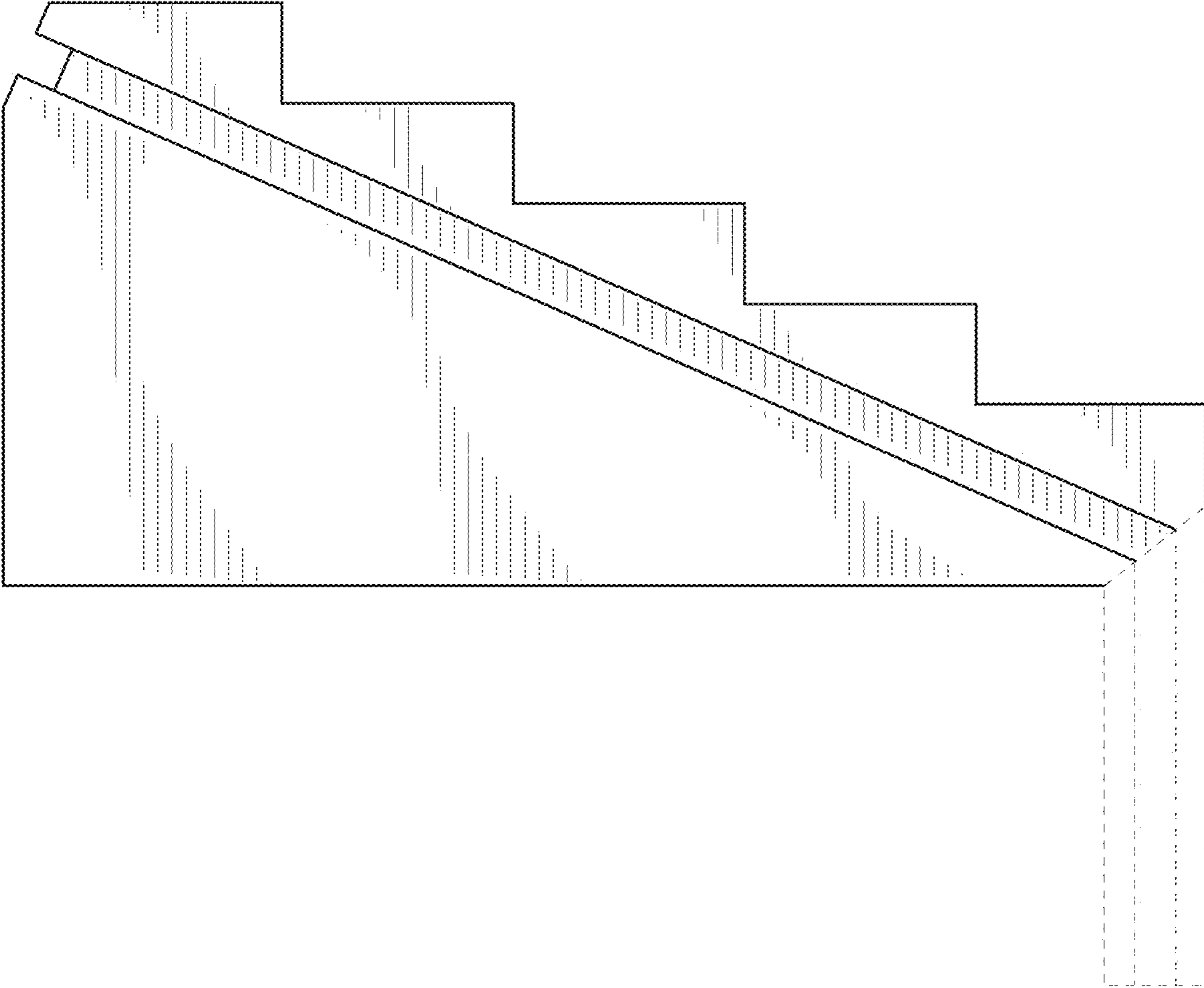


Fig. 5

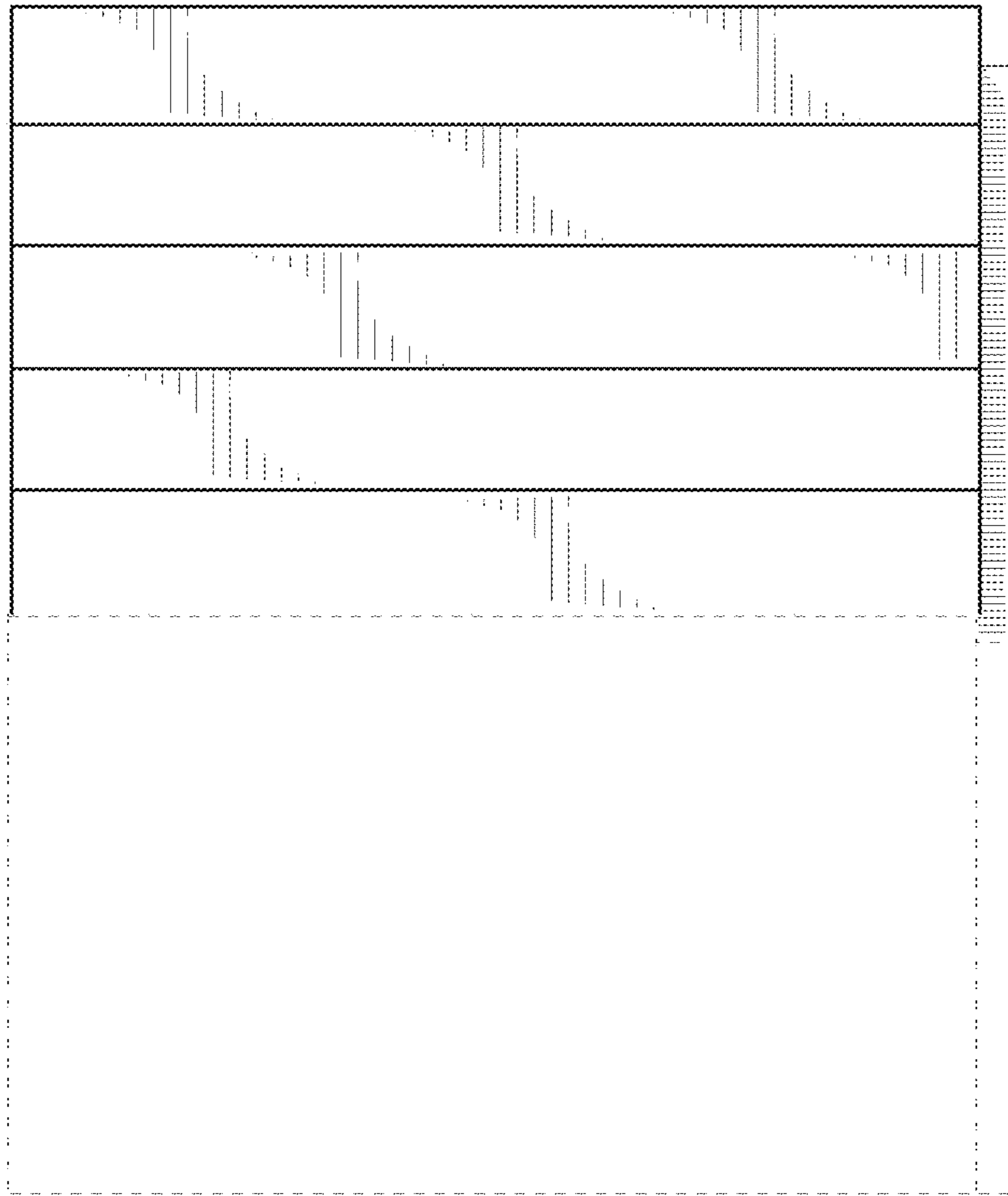


Fig. 6

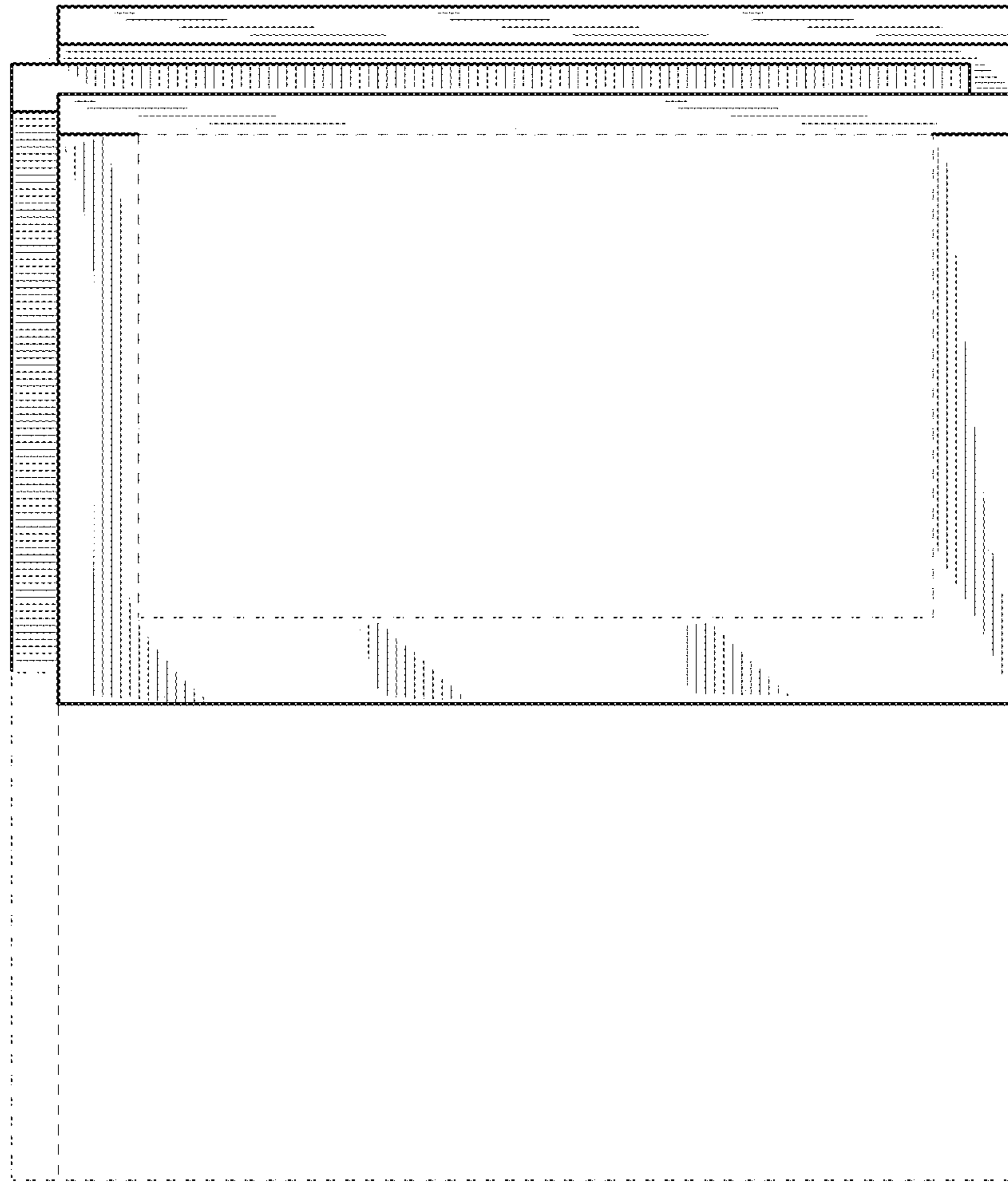


Fig. 7