

(56)

References Cited

U.S. PATENT DOCUMENTS

2010/0310313 A1* 12/2010 Kohlenberg E02B 3/04
405/30
2014/0314484 A1* 10/2014 Pierce, Jr. E02B 3/046
405/31

* cited by examiner

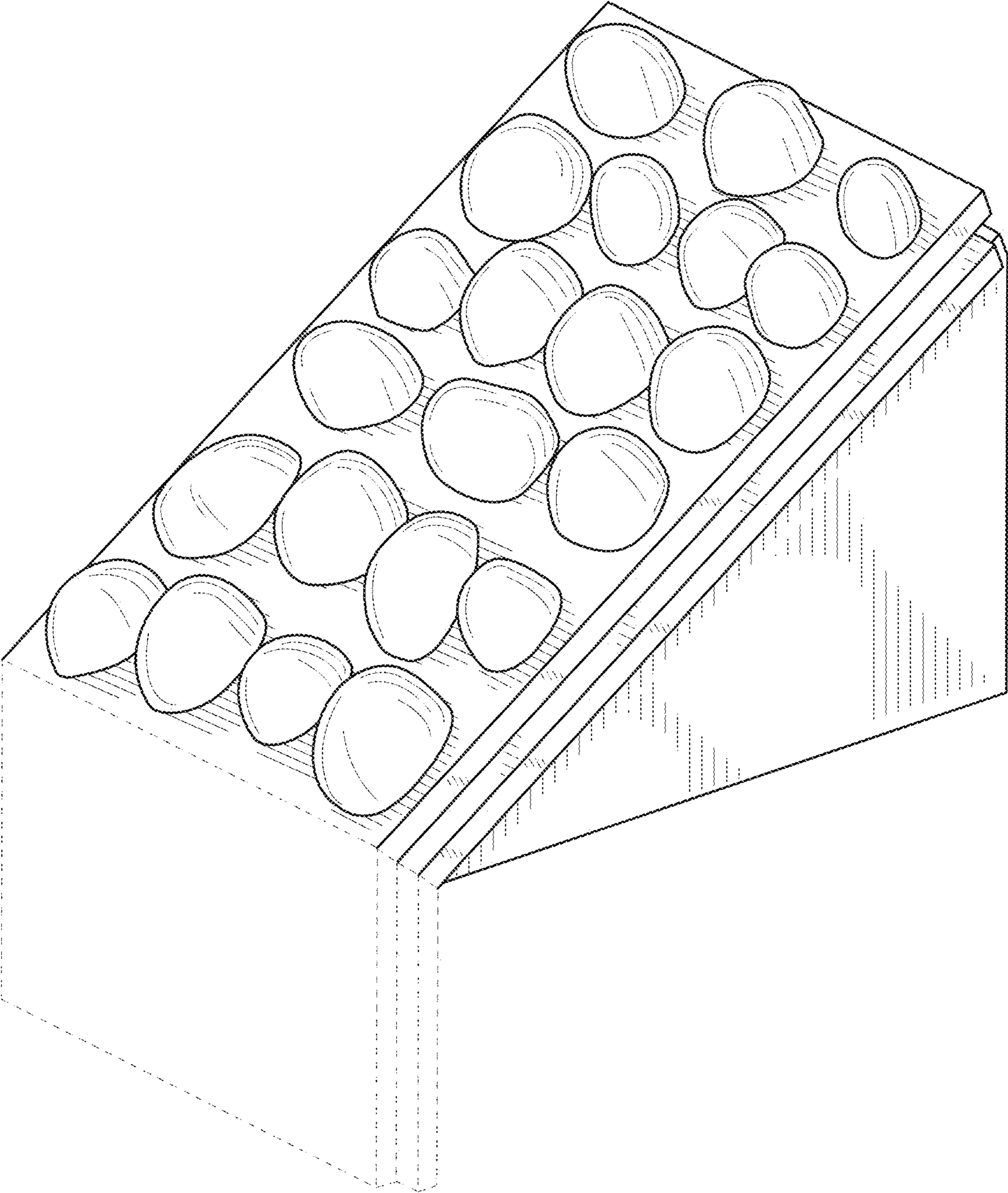


Fig. 1

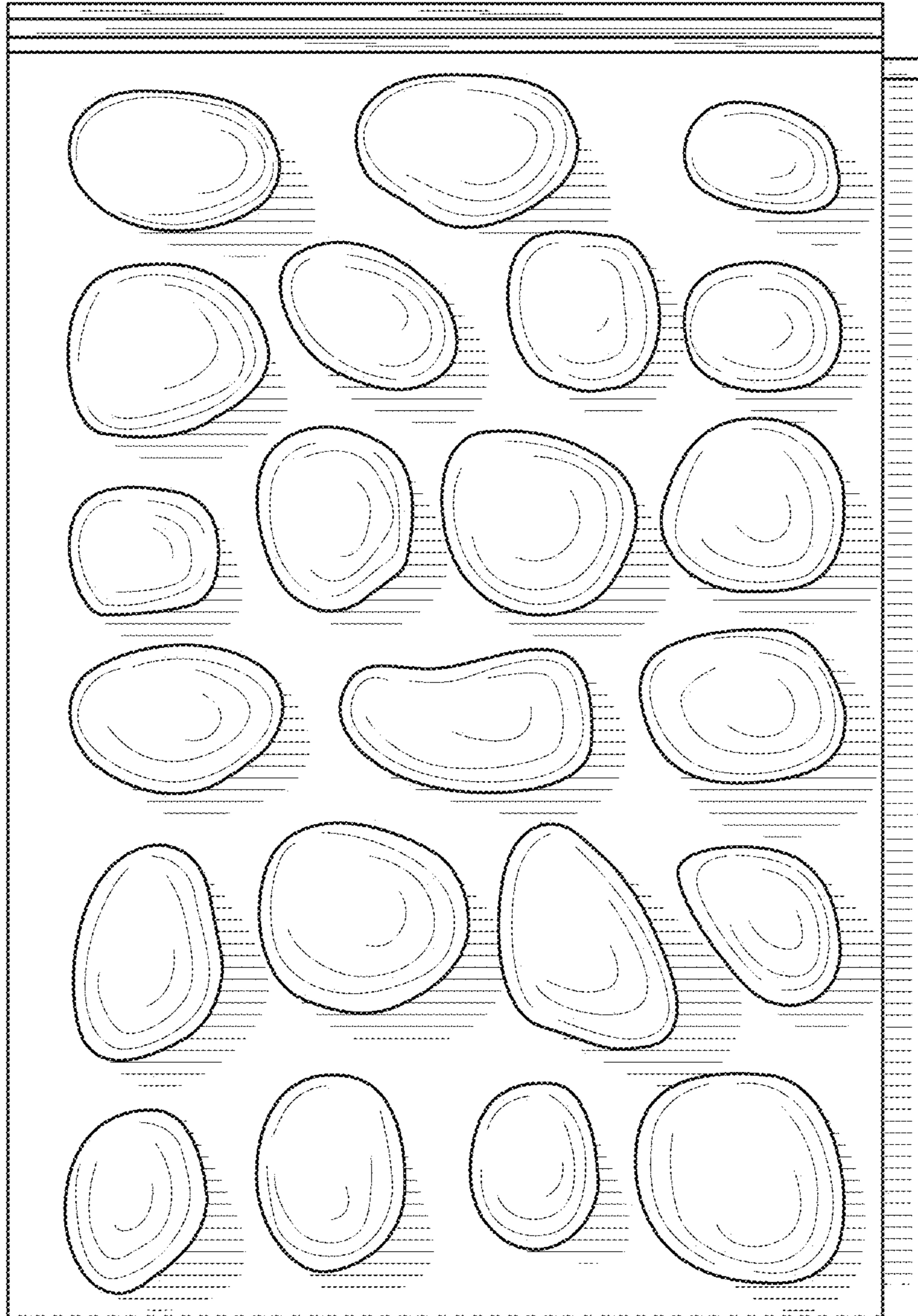


Fig. 2

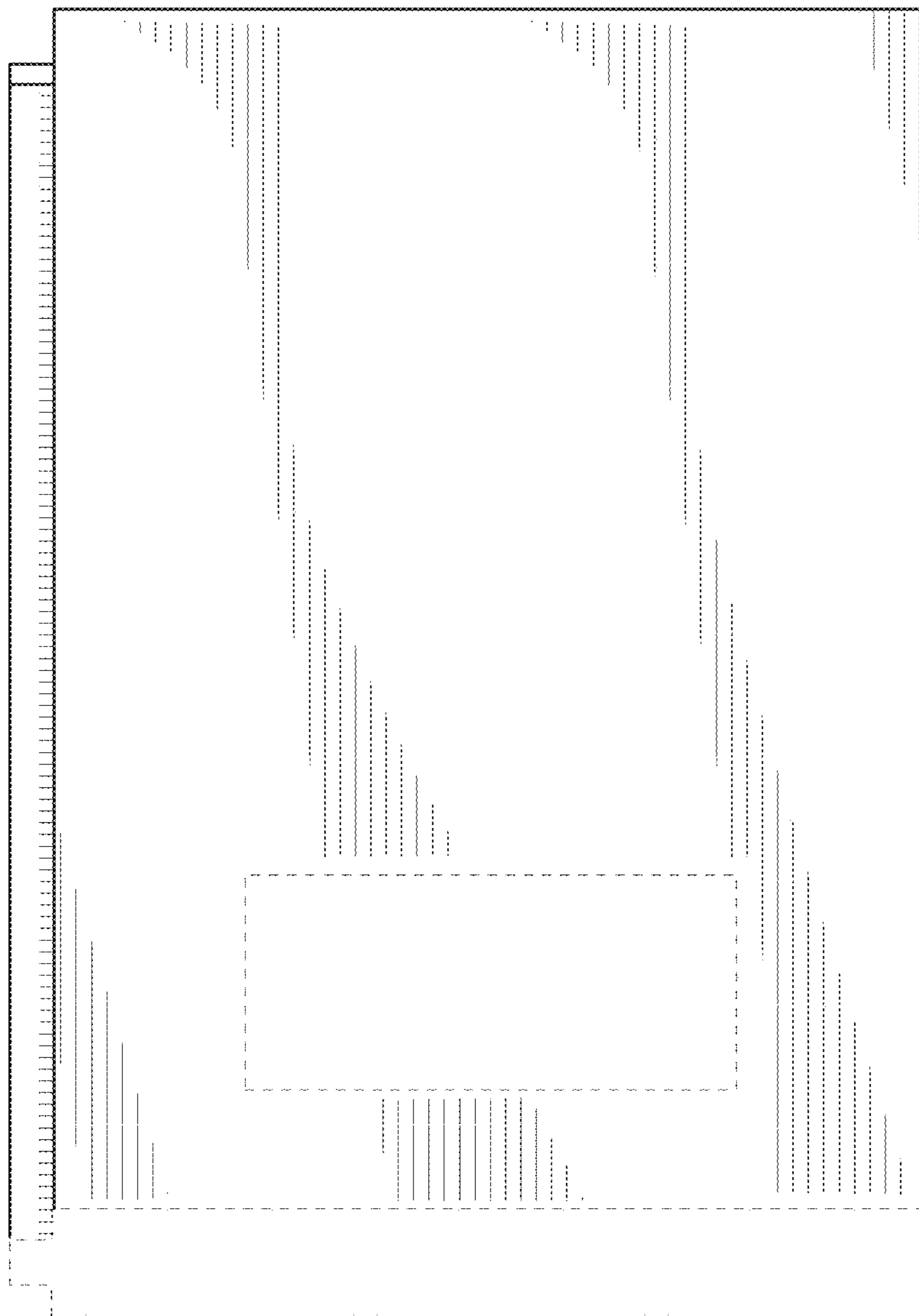


Fig. 3

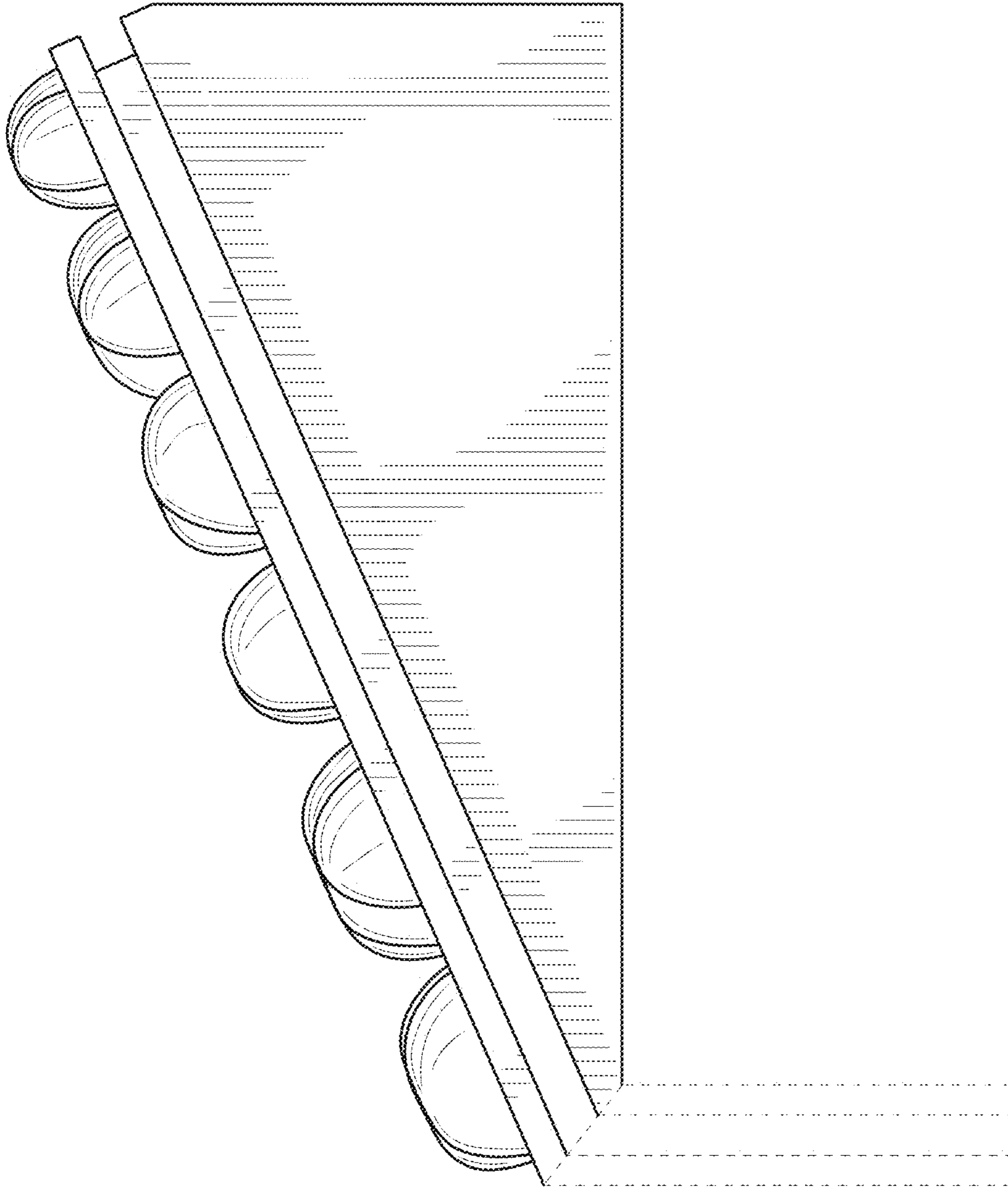


Fig. 4

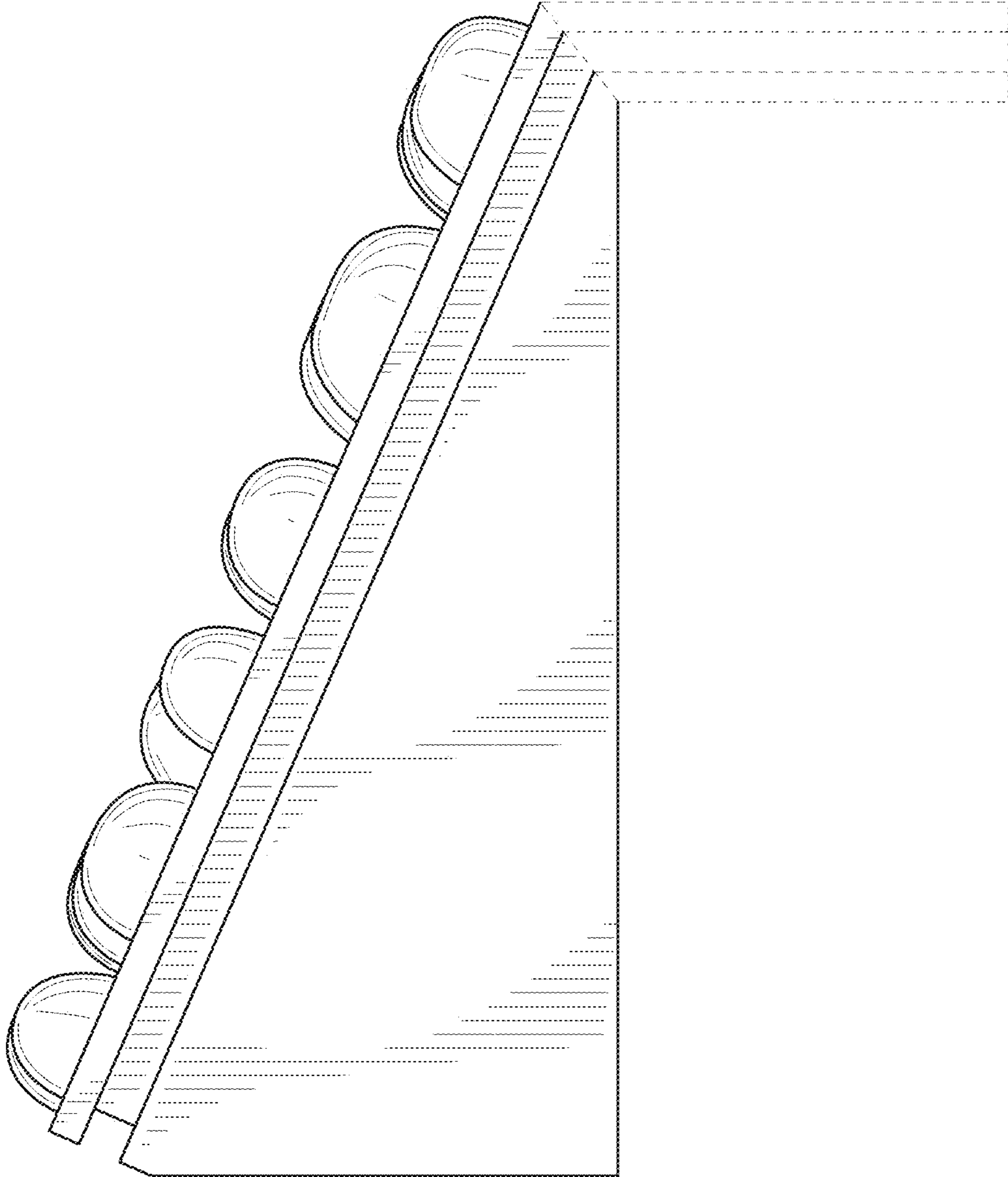


Fig. 5

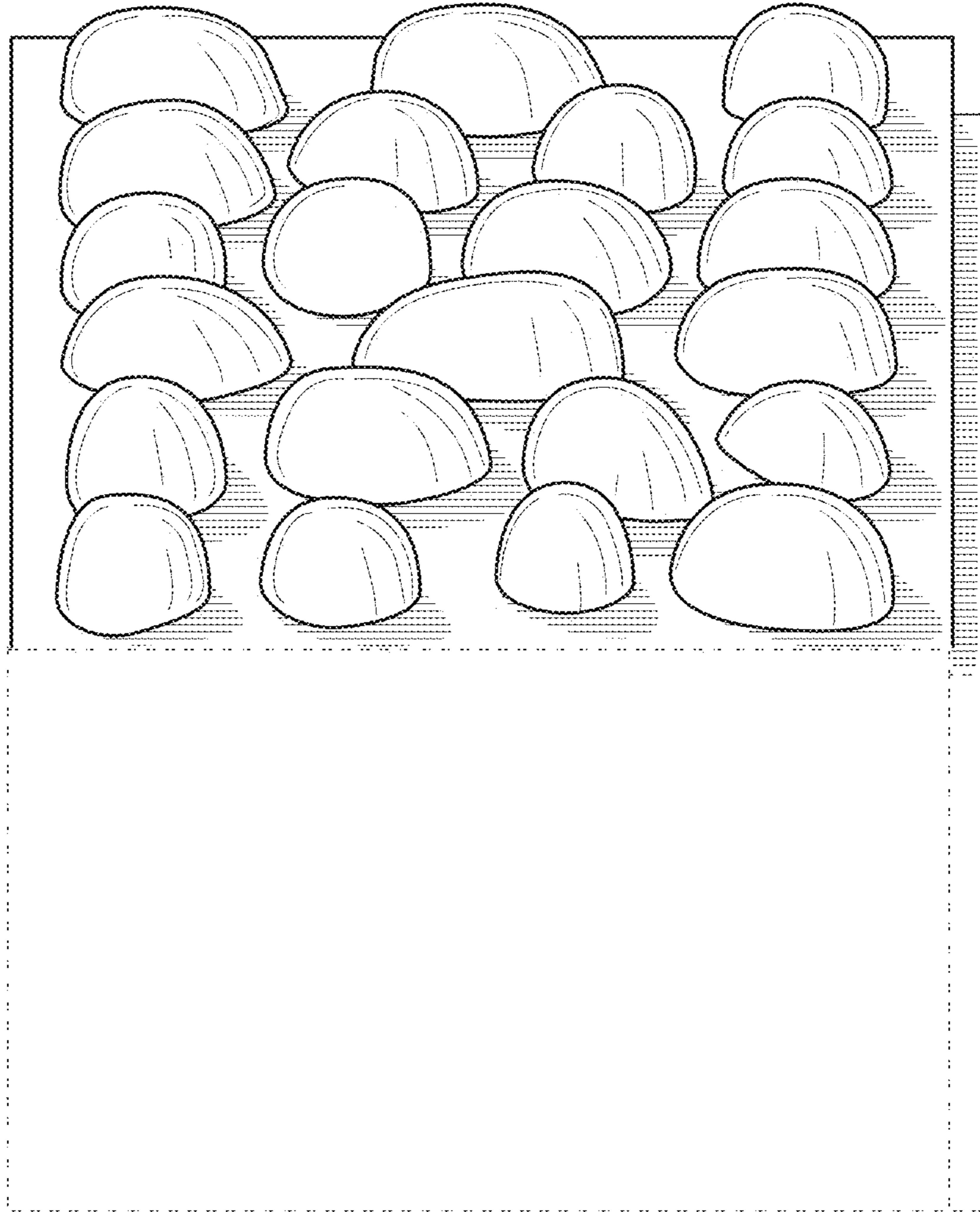


Fig. 6

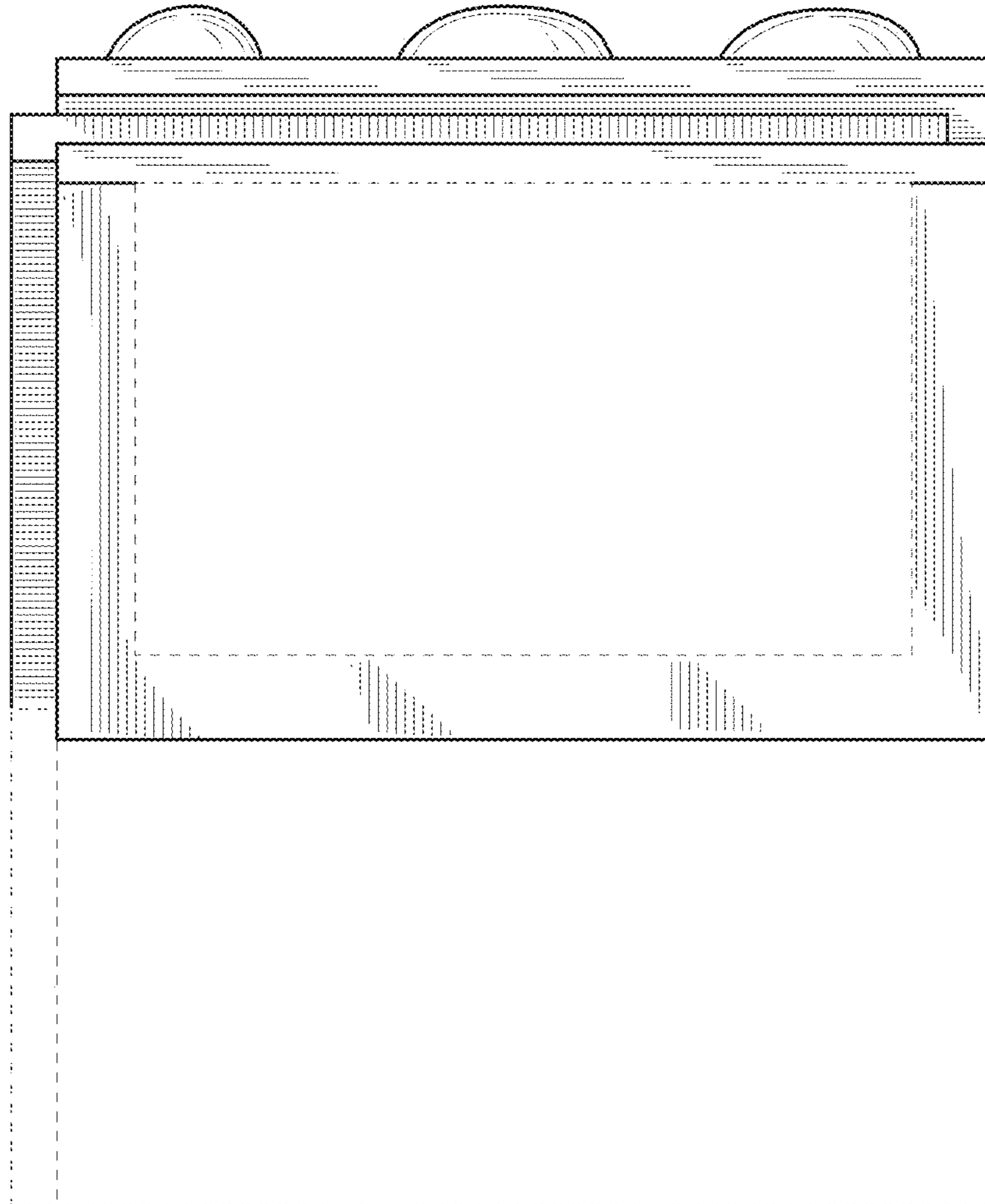


Fig. 7