



US00D954997S

(12) **United States Design Patent**
Marshall, III

(10) **Patent No.:** **US D954,997 S**
(45) **Date of Patent:** **** Jun. 14, 2022**

(54) **CRAWL SPACE ACCESS DOOR**

(71) Applicant: **Your Crawl Space, Inc.**,
McClellanville, SC (US)

(72) Inventor: **Henry Bennie Marshall, III**, Pawleys
Island, SC (US)

(73) Assignee: **YOUR CRAWL SPACE, INC.**,
McClellanville, SC (US)

(**) Term: **15 Years**

(21) Appl. No.: **29/752,033**

(22) Filed: **Sep. 24, 2020**

(51) **LOC (13) Cl.** **25-02**

(52) **U.S. Cl.**
USPC **D25/48.3**

(58) **Field of Classification Search**
USPC D25/48.3, 138
CPC F25D 23/02; F25D 23/10; F25D 2201/00;
E04B 1/62; E04B 1/7608; E04B 1/7654;
E04B 1/88; E04B 2/00; E04B 9/003;
E04F 11/06; E04D 13/1618; E04H 9/16;
E06B 5/01; E06B 7/22
See application file for complete search history.

(56) **References Cited**

U.S. PATENT DOCUMENTS

D615,212 S *	5/2010	Walsh	D25/48.3
D634,856 S *	3/2011	Walsh	D25/48.3
D638,956 S *	5/2011	Walsh	D25/48.3
D652,150 S *	1/2012	Paxton	D25/48.3
D660,980 S *	5/2012	Walsh	D25/48.3

(Continued)

FOREIGN PATENT DOCUMENTS

CN 304341643 * 11/2017

Primary Examiner — Leanne Was-Englehart

(74) *Attorney, Agent, or Firm* — Kim and Lahey Law
Firm, LLC; Seann P. Lahey

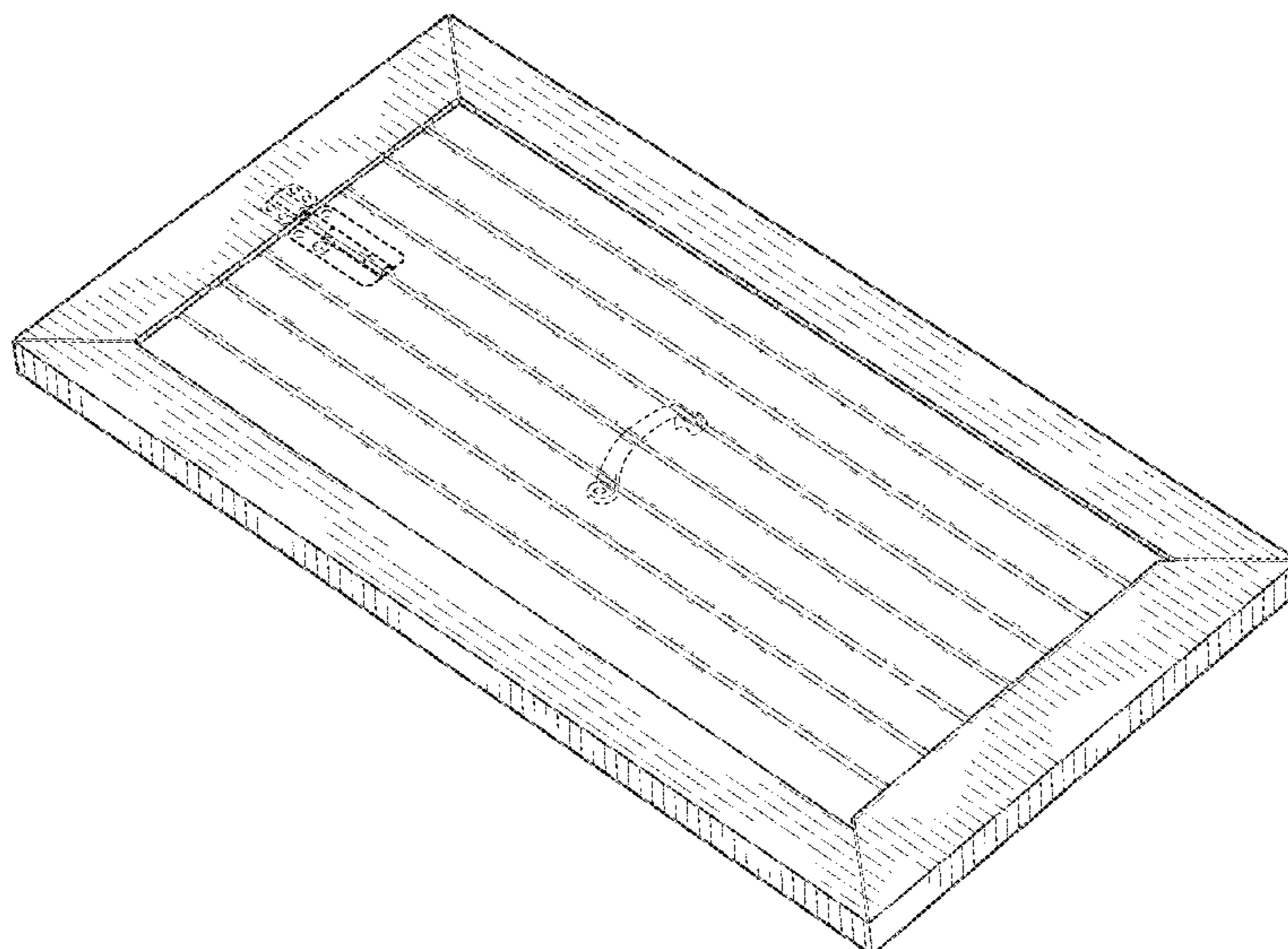
(57) **CLAIM**

The ornamental design for a crawl space access door, as
shown and described.

DESCRIPTION

FIG. 1 is a front perspective view of the crawl space access door;
 FIG. 2 is a rear perspective view of the crawl space access door;
 FIG. 3 is a front elevation view of the crawl space access door;
 FIG. 4 is a rear elevation view of the crawl space access door;
 FIG. 5 is a bottom plan view of the crawl space access door;
 FIG. 6 is a top plan view of the crawl space access door;
 FIG. 7 is a right side elevation view of the crawl space access door;
 FIG. 8 is a left side elevation view of the crawl space access door;
 FIG. 9 is a front perspective view of the crawl space access door with the door panel in a reversed alternative configuration; and,
 FIG. 10 is a rear perspective view of the crawl space access door with the door panel in a reversed alternative configuration.
 FIG. 11 is a front perspective view of the door panel of the crawl space access door;
 FIG. 12 is a front perspective view of the door frame of the crawl space access door;
 FIG. 13 is a cross-section view of the crawl space access door taken along line 13-13 in FIG. 3;
 FIG. 14 is a cross-section view of the crawl space access door taken along line 14-14 in FIG. 4; and,
 FIG. 15 is a front perspective view of the door frame of the crawl space access door.
 The broken lines in the drawings depicting the latch and handle form no part of the claimed design.

1 Claim, 12 Drawing Sheets



(56)

References Cited

U.S. PATENT DOCUMENTS

D664,673 S * 7/2012 Paxton D25/48.3
9,920,569 B2 * 3/2018 Wang B29C 48/11

* cited by examiner

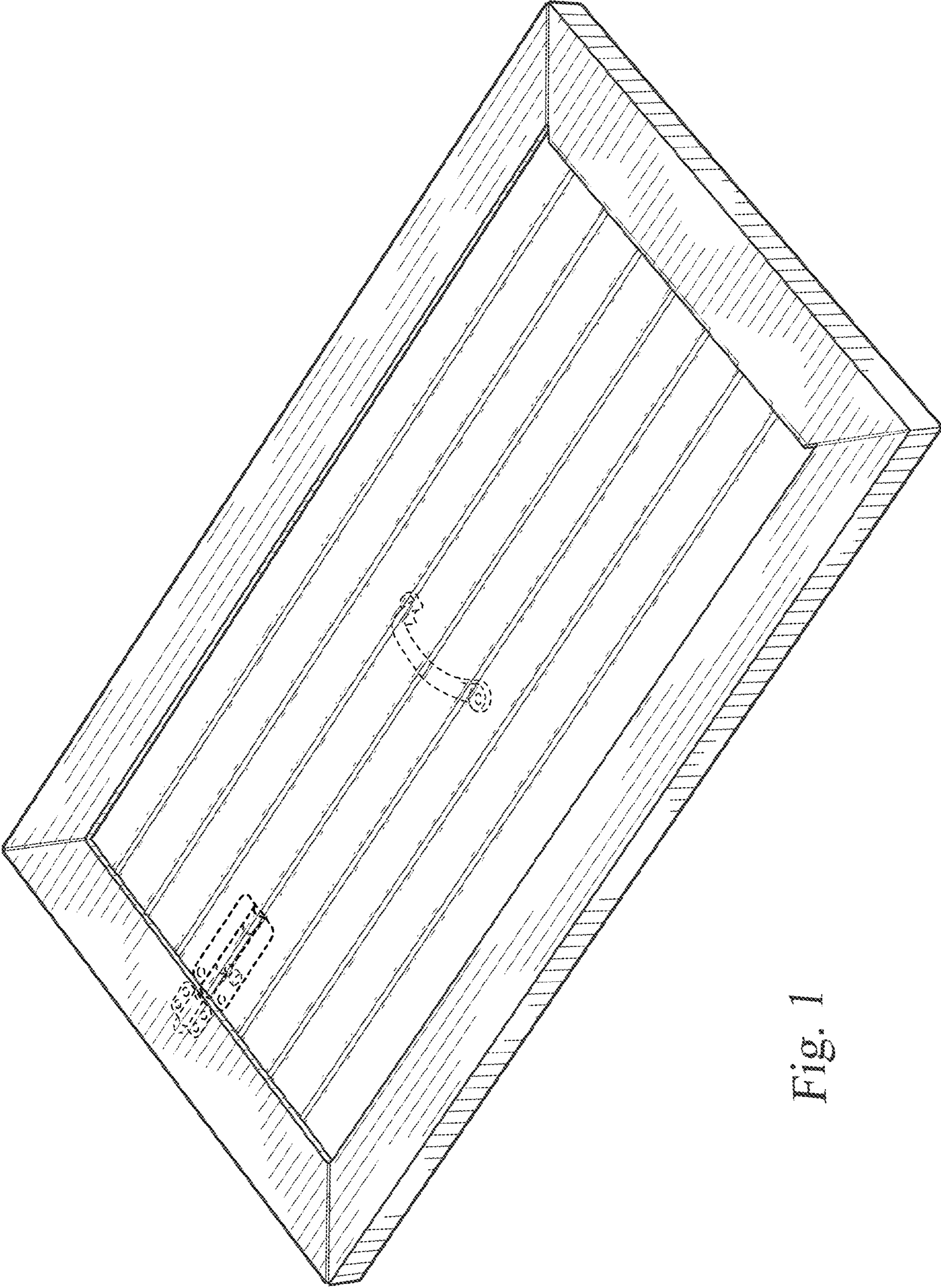


Fig. 1

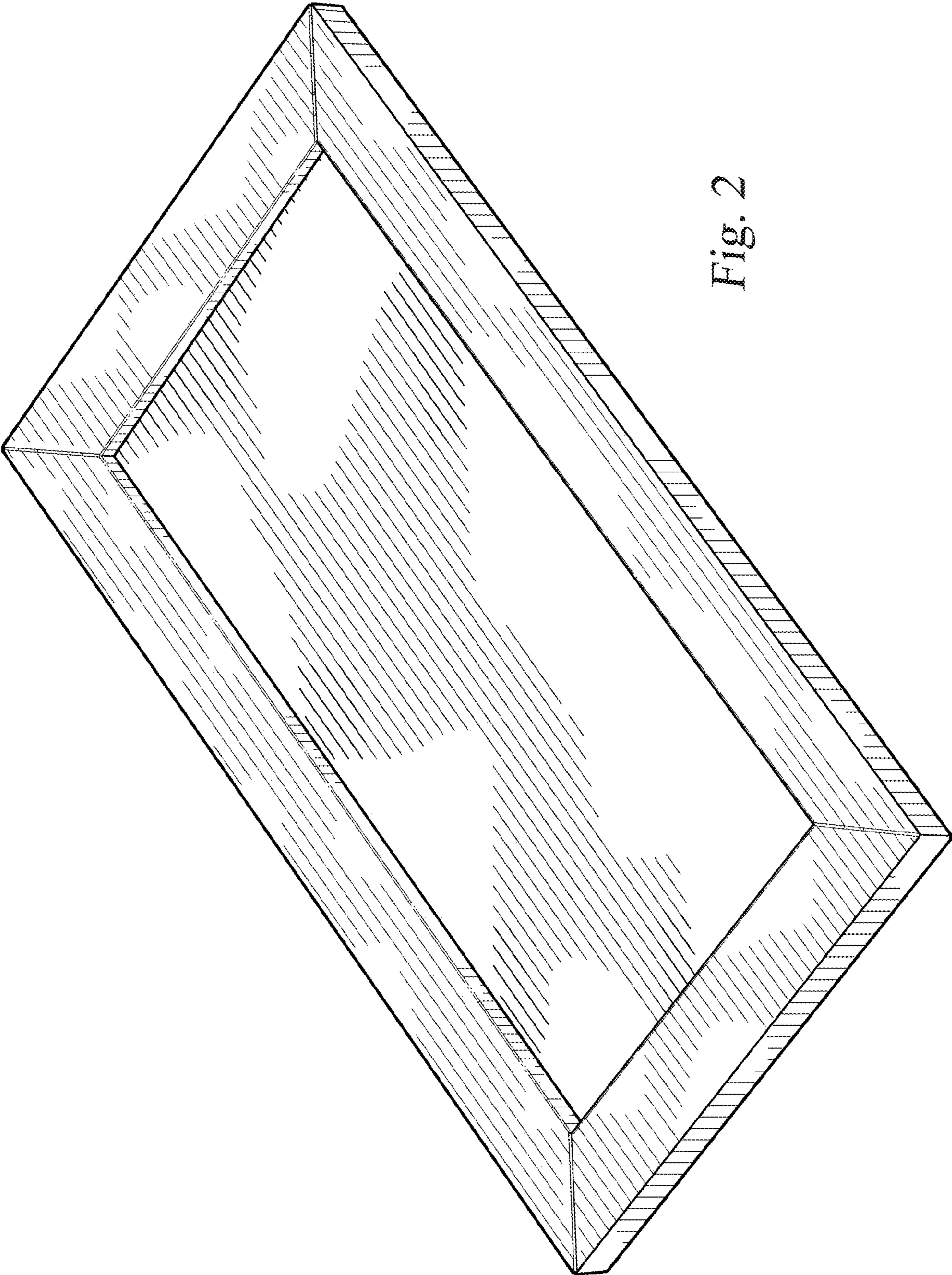


Fig. 2

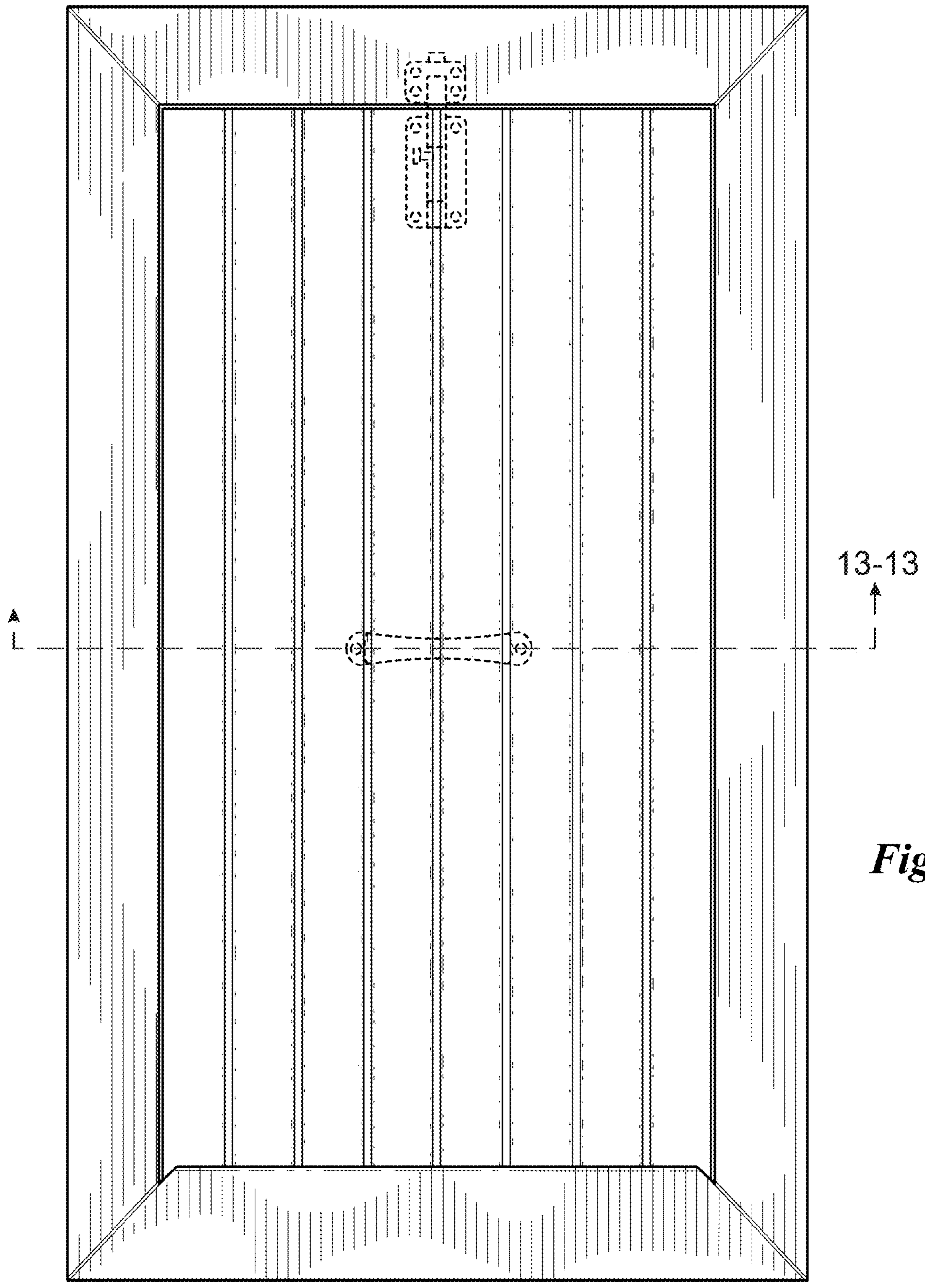


Fig. 3

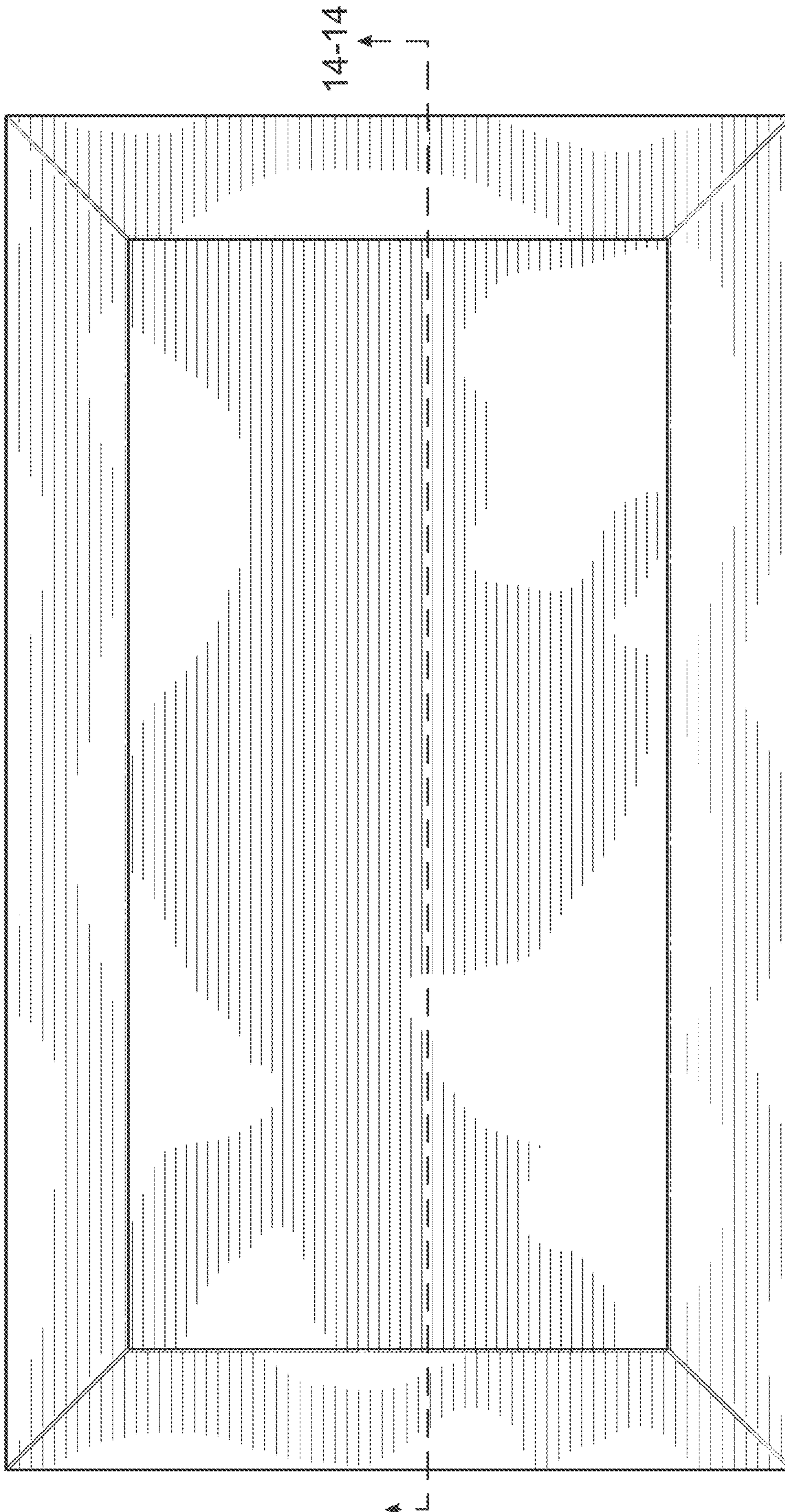


Fig. 4

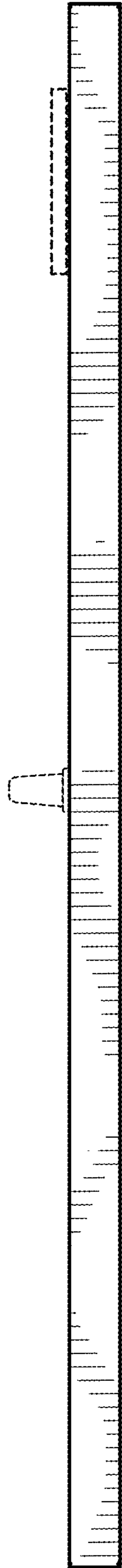


Fig. 5

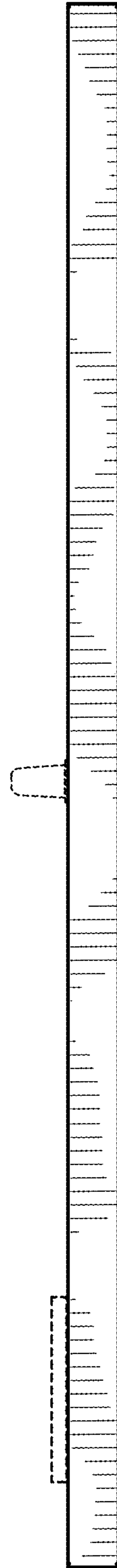


Fig. 6



Fig. 8

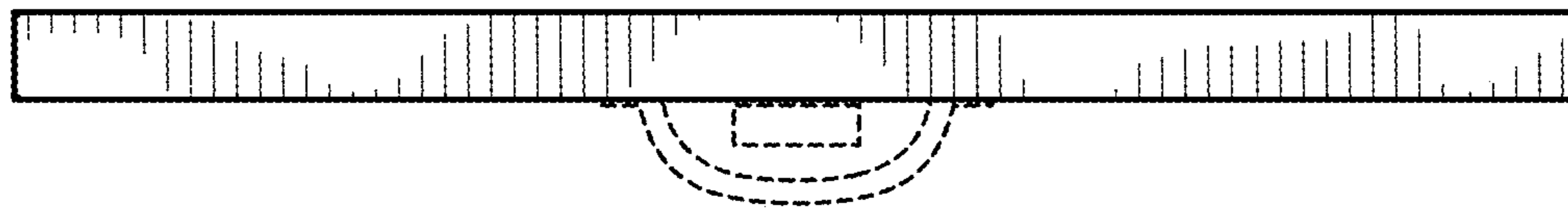


Fig. 7

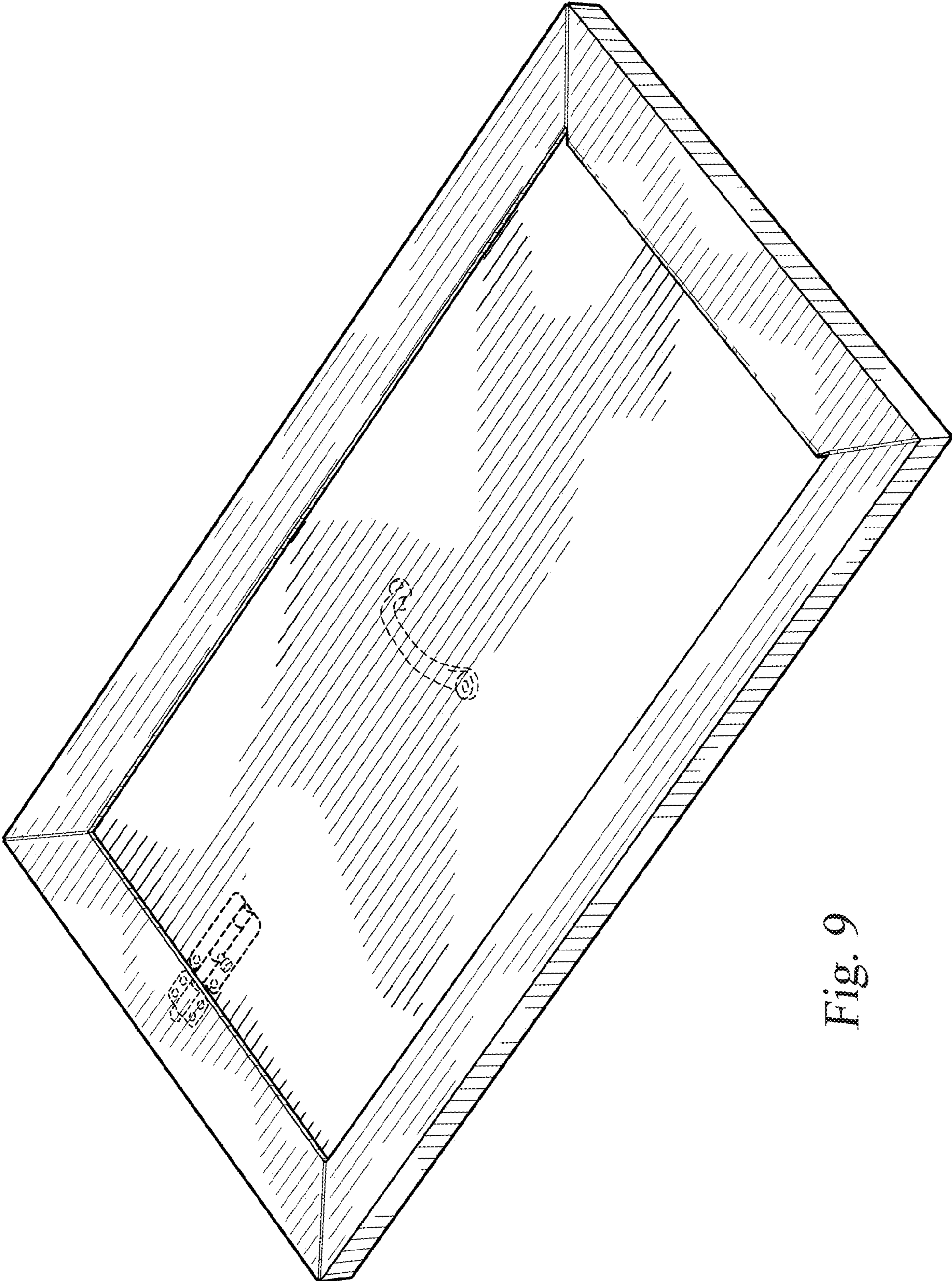


Fig. 9

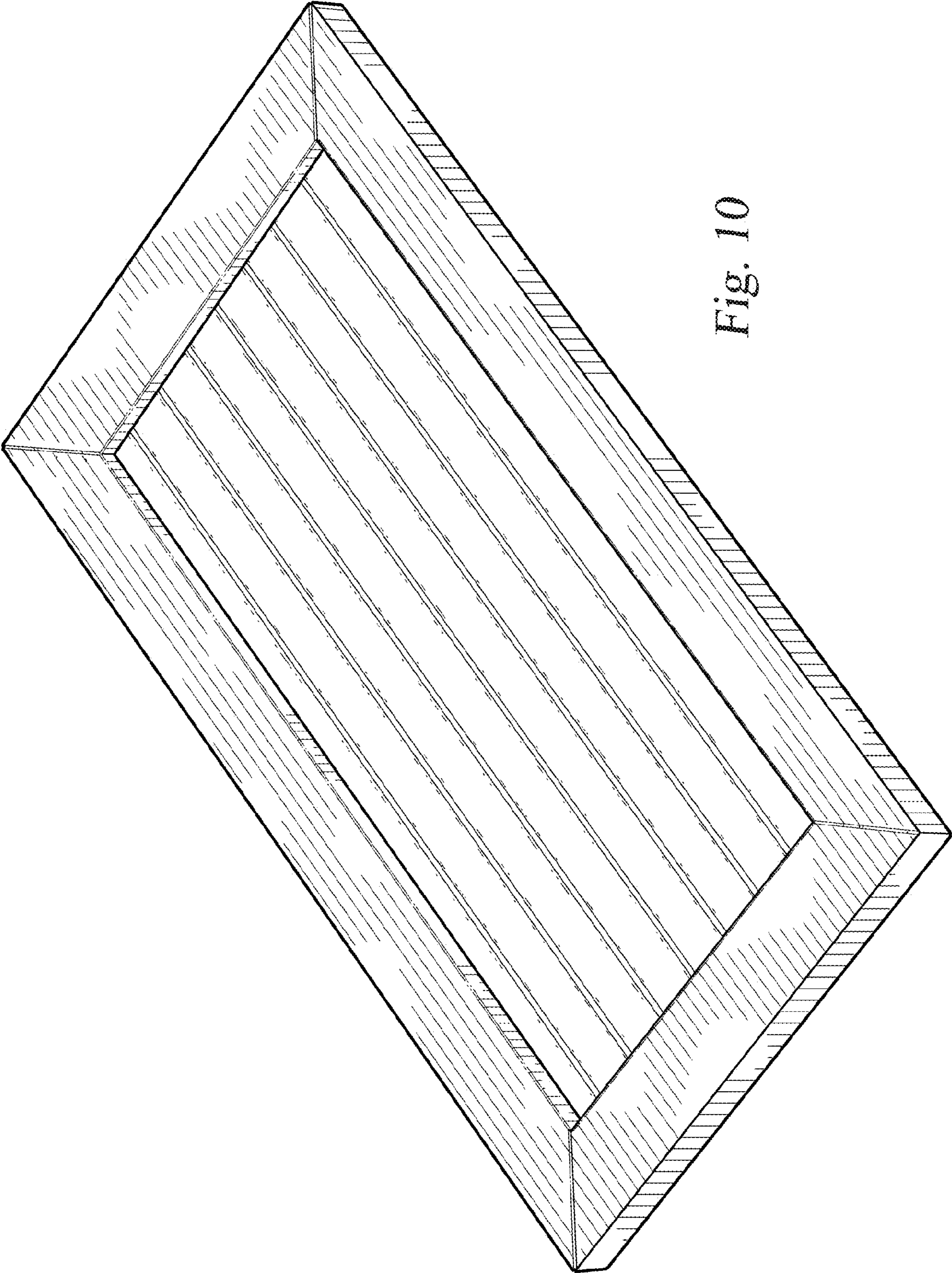


Fig. 10

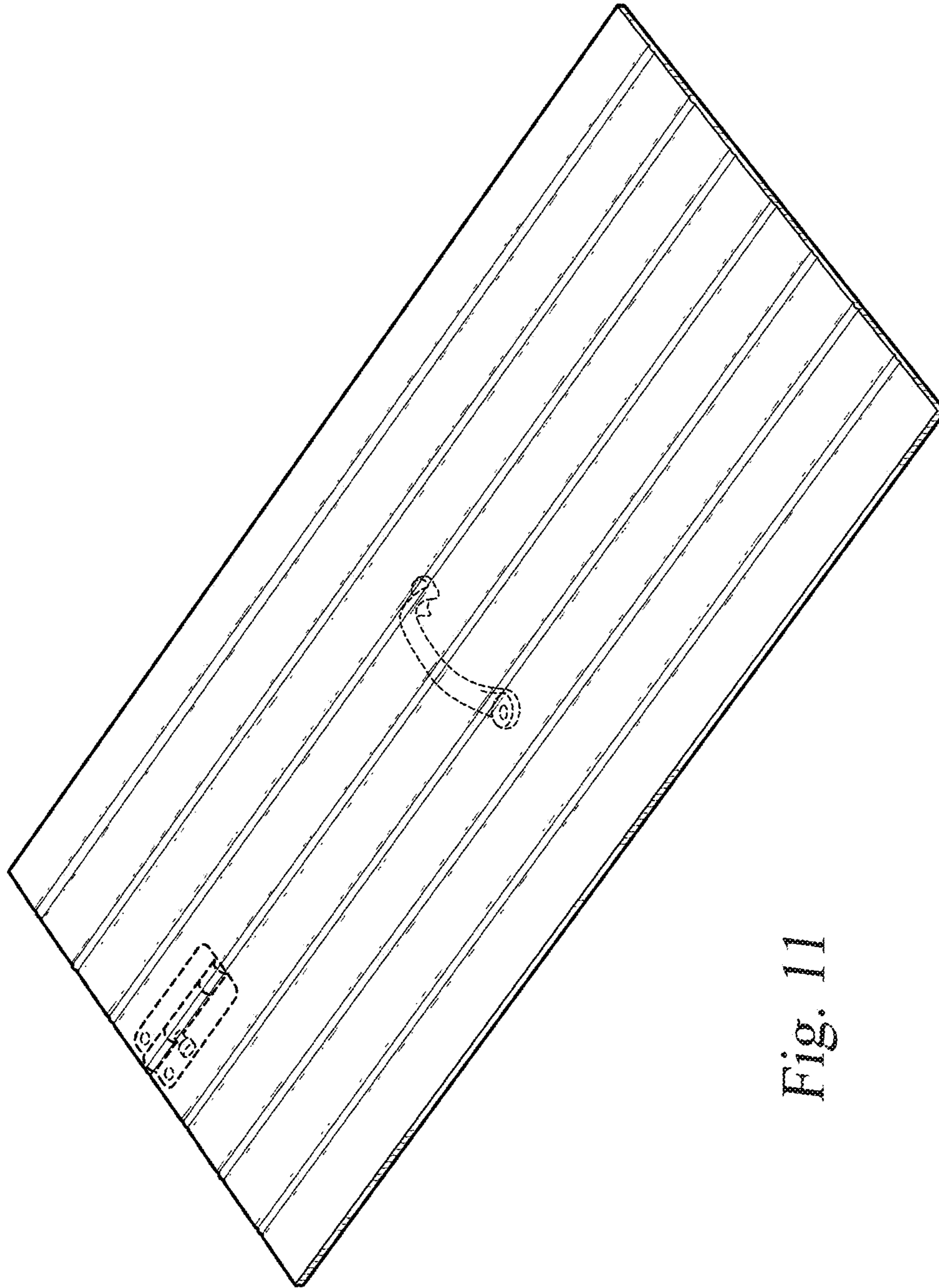


Fig. 11

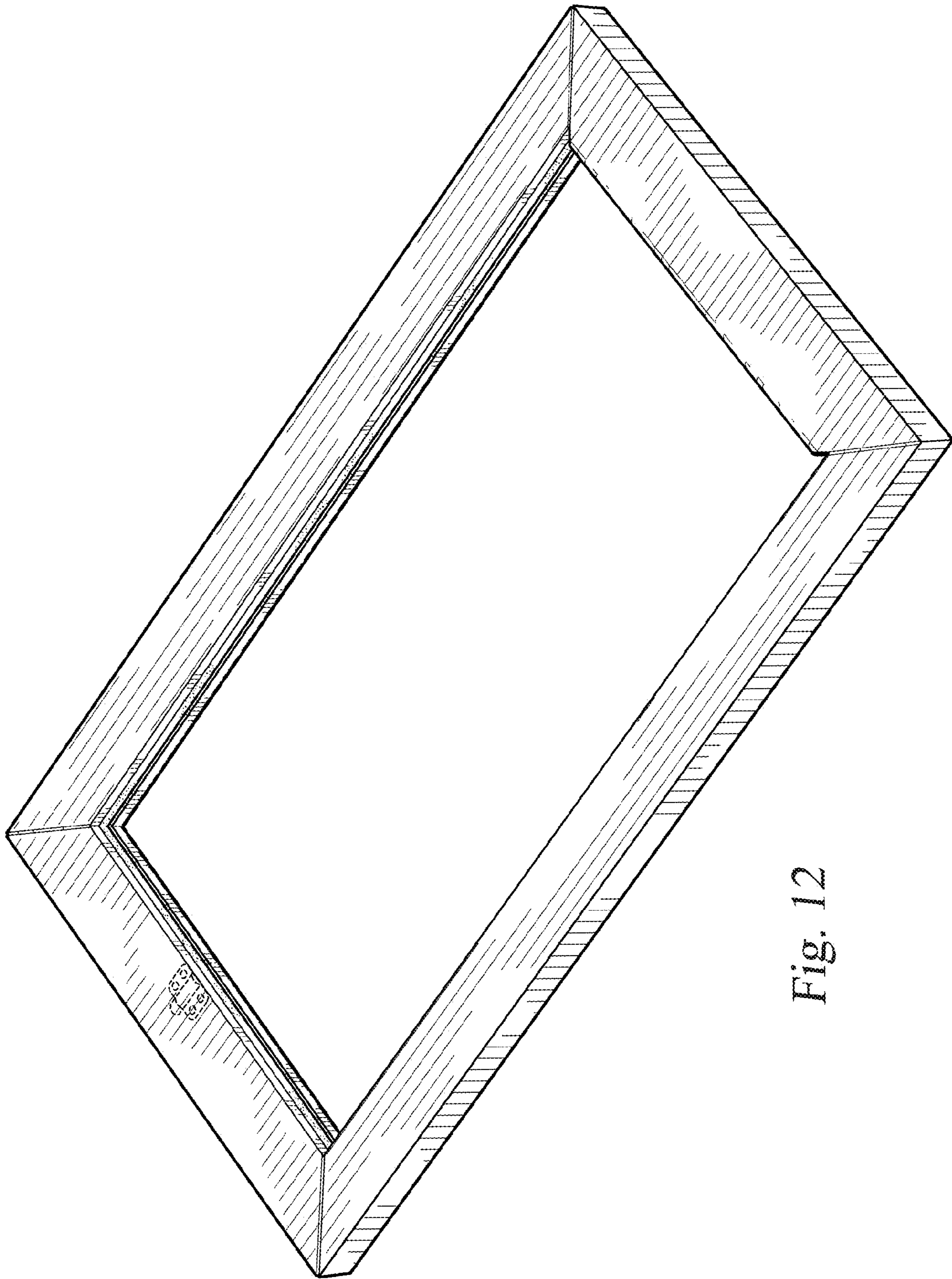


Fig. 12

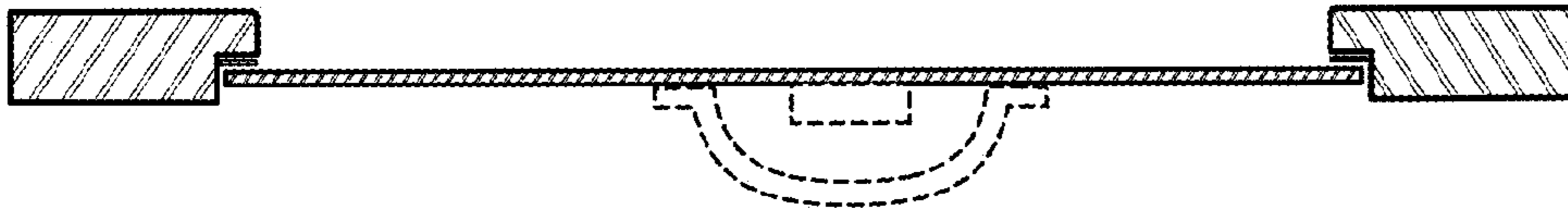


Fig. 13

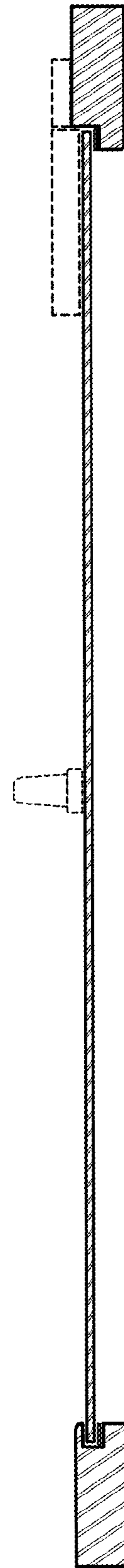


Fig. 14

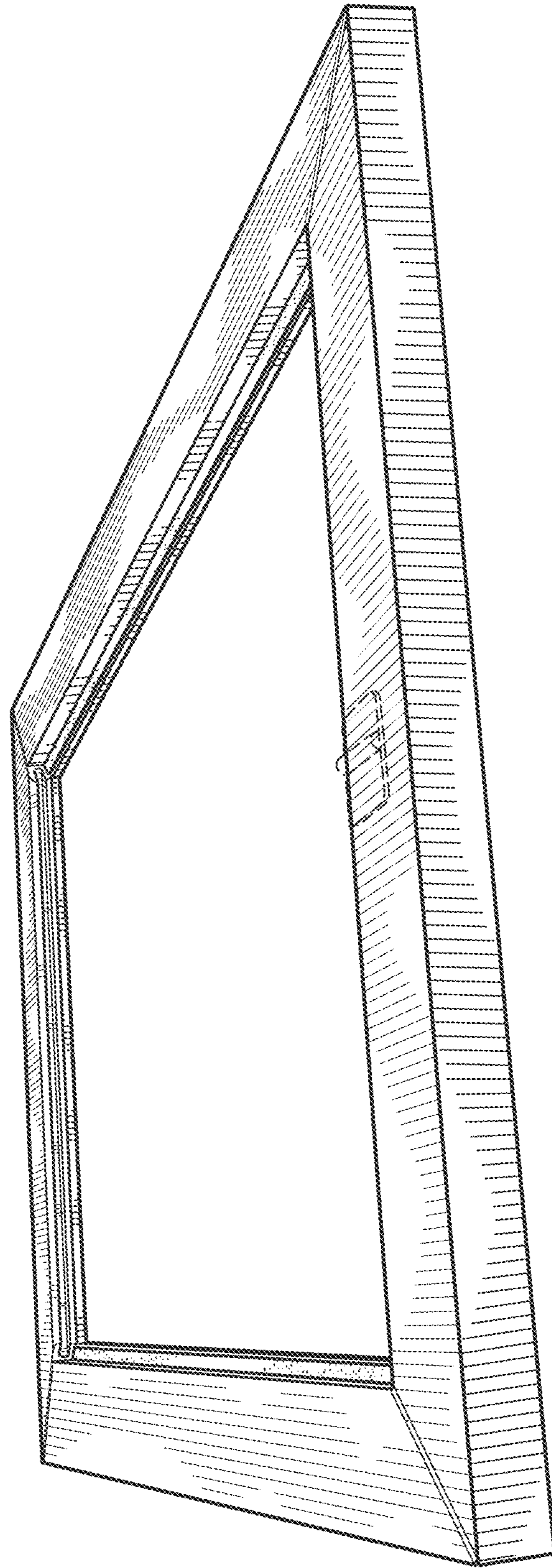


Fig. 15