



US00D954996S

(12) **United States Design Patent**
Motadel et al.

(10) **Patent No.:** **US D954,996 S**
(45) **Date of Patent:** **** Jun. 14, 2022**

(54) **PIPETTE TIP TRAY**
(71) Applicant: **BIOTIX, INC.**, San Diego, CA (US)
(72) Inventors: **Arta Motadel**, San Diego, CA (US);
Peter Paul Blaszcak, San Diego, CA (US);
Kyle Richard Briggs, San Diego, CA (US)
(73) Assignee: **BIOTIX, INC.**, San Diego, CA (US)
(**) Term: **15 Years**

D464,734 S * 10/2002 Berna D24/216
D574,505 S 8/2008 Muller-Cohn et al.
D631,557 S 1/2011 Tajima et al.
D632,803 S 2/2011 Motadel et al.
8,312,781 B2 11/2012 Himmelsbach et al.
(Continued)

FOREIGN PATENT DOCUMENTS

EP 1 128 907 A1 9/2001
JP S54-052433 U 4/1979
(Continued)

OTHER PUBLICATIONS

Refill tray s. Online, published date unknown. Retrieved on Jul. 8, 2021 from URL: <https://www.ika.com/en/Products-Lab-Eq/Pipettes-csp-501/Refill-tray-s-cpdt-20017837/>.
(Continued)

Related U.S. Application Data

(63) Continuation of application No. 29/642,485, filed on Mar. 29, 2018, now Pat. No. Des. 882,280.
(51) **LOC (13) Cl.** **24-02**
(52) **U.S. Cl.**
USPC **D24/229**
(58) **Field of Classification Search**
USPC D24/108, 127-130, 216, 222, 224-232;
D9/756-758; D6/406.1-406.3, 406.6;
D19/37; D3/203.1, 304
CPC B01L 9/543; B01L 2200/025
See application file for complete search history.

Primary Examiner — Omeed Agilee
(74) *Attorney, Agent, or Firm* — Grant IP, Inc.

(57) **CLAIM**

The ornamental design for a pipette tip tray, as shown and described.

DESCRIPTION

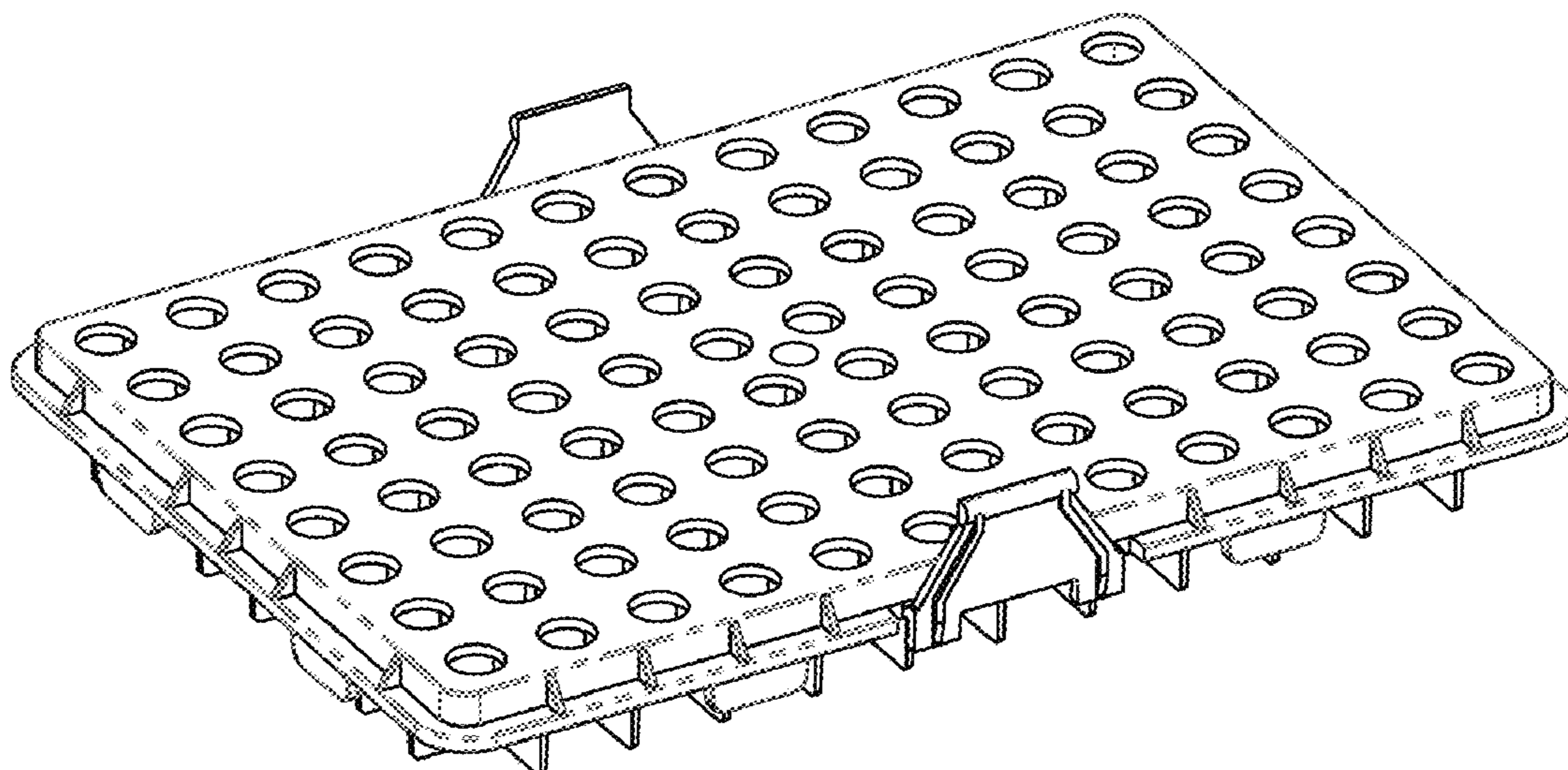
FIG. 1 is a top perspective view of a pipette tip tray showing the claimed design;
FIG. 2 is a bottom perspective view thereof;
FIG. 3 is an enlarged perspective view of area 3 circled in FIG. 2;
FIG. 4 is a top view thereof;
FIG. 5 is a bottom view thereof;
FIG. 6 is a front view thereof;
FIG. 7 is back view thereof;
FIG. 8 is a side view thereof; and,
FIG. 9 is another side view thereof.

(56) **References Cited**

U.S. PATENT DOCUMENTS

4,577,760 A 3/1986 Rainin et al.
4,676,377 A 6/1987 Rainin et al.
5,366,088 A 11/1994 Hill et al.
5,487,872 A 1/1996 Hafeman et al.
5,882,603 A * 3/1999 Taggart B01L 9/543
422/564
6,221,317 B1 4/2001 Carl
6,286,678 B1 9/2001 Petrek
6,436,351 B1 * 8/2002 Gubernator B01J 19/0046
210/257.2

1 Claim, 8 Drawing Sheets



(56)

References Cited

U.S. PATENT DOCUMENTS

D699,370 S 2/2014 Motadel et al.
 D699,859 S 2/2014 Motadel
 D724,236 S 3/2015 Motadel et al.
 9,156,598 B2 10/2015 Nicoletti
 9,238,227 B2 1/2016 Motadel
 D768,873 S 10/2016 Stedman et al.
 9,545,635 B2 1/2017 Motadel et al.
 D808,540 S 1/2018 Johns et al.
 D812,243 S 3/2018 Johns et al.
 D826,426 S 8/2018 Muller et al.
 D839,445 S 1/2019 Motadel et al.
 D840,053 S 2/2019 Kamees et al.
 D844,806 S 4/2019 Johns et al.
 10,300,488 B2 5/2019 Motadel et al.
 D873,436 S 1/2020 O'Connell et al.
 D886,321 S 6/2020 Motadel et al.
 D888,280 S 6/2020 Motadel et al.
 D923,816 S * 6/2021 Motadel D24/227
 2005/0150808 A1 7/2005 Sarna et al.
 2006/0045815 A1 3/2006 Hovatter
 2006/0257292 A1 * 11/2006 Motadel B01L 9/543
 422/400
 2008/0240999 A1 * 10/2008 Timpson B01L 9/543
 422/400
 2010/0221151 A1 9/2010 Motadel et al.
 2010/0266457 A1 10/2010 Rethwisch et al.
 2011/0236278 A1 9/2011 Motadel et al.
 2011/0306051 A1 12/2011 Belz et al.
 2011/0306053 A1 12/2011 Ochsenein et al.
 2011/0306118 A1 12/2011 Belz et al.
 2013/0108522 A1 5/2013 Cohen et al.
 2014/0234182 A1 8/2014 Motadel et al.
 2014/0308181 A1 10/2014 Blumentritt et al.
 2016/0001292 A1 1/2016 Motadel et al.
 2016/0101422 A1 4/2016 Bucher et al.
 2016/0167041 A1 6/2016 Curry et al.
 2017/0008001 A1 1/2017 Motadel et al.
 2019/0009277 A1 1/2019 Kofler
 2019/0299217 A1 10/2019 Motadel et al.
 2020/0023369 A1 * 1/2020 Happ B01L 3/50853
 2021/0129154 A1 * 5/2021 Leung B01L 9/543

FOREIGN PATENT DOCUMENTS

JP S61-074652 A 4/1986
 JP H01-065647 U 4/1989
 JP 3005123 U 1/2000
 JP 2007-525647 A 9/2007
 JP 2010-022389 A 2/2010
 JP 2011-227076 A 11/2011
 JP D2011-23194 * 10/2012
 JP 2014-081096 A 5/2014
 WO WO 2004/098764 A2 11/2004

WO WO 2008/107961 A1 9/2008
 WO WO 2010/008737 A2 1/2010
 WO WO 2010/054337 A2 5/2010
 WO WO 2016/094553 A1 6/2016
 WO WO 2019/190864 A1 10/2019

OTHER PUBLICATIONS

DNA testing in the laboratory. Well plate arm of the investigator. Online, published date unknown. Retrieved on Jul. 8, 2021 from URL: <https://www.shutterstock.com/image-photo/dna-testing-laboratory-well-plate-arm-572016709>.*

Office Action dated Feb. 12, 2021 in U.S. Appl. No. 16/359,759, filed Mar. 20, 2019 and published as US-2019-0299217-A1 on Oct. 3, 2019, 4 pages.

Office Action dated Feb. 26, 2021 in U.S. Appl. No. 16/359,759, filed Mar. 20, 2019 and published as US-2019-0299217-A1 on Oct. 3, 2019, 5 pages.

Office Action dated Mar. 4, 2021 in U.S. Appl. No. 29/684,389, filed Mar. 20, 2019, 7 pages.

2-200ul MicroPette Universal Sterile Filtered Tips. Online Available on <URL: <https://www.labproservices.com/2-200ul-micropette-universal-sterile-filtered-tips-clear-color-rack-10-x-96-960.html>, Mar. 20, 2019, 1 page.

International Search Report and Written Opinion dated May 28, 2019 in International Patent Application No. PCT/US2019/023221, filed on Mar. 20, 2019, 8 pages.

Office Action dated Feb. 26, 2020 in U.S. Appl. No. 29/642,485, filed Mar. 29, 2018, 7 pages.

Office Action dated Jul. 23, 2019 in U.S. Appl. No. 29/642,485, filed Mar. 29, 2018, 14 pages.

Pipette Tips, Available Online at <URL: <http://neptunescientific.com/products/pipette-tips/>>, Neptune Scientific, Biotix, Mar. 20, 2019, 1 page.

Filtered Pipet Tips 1-100 ul Sterilized Microfilter Tip, retrieved on Sep. 8, 2020 via URL: <https://crystalgen.com/filtered-pipet-tips-1-100-ul-sterilized-microfilter-tip.html>, published date unknown, 1 page.

International Preliminary Report on Patentability dated Oct. 8, 2020 in International Patent Application No. PCT/US2019/023221, filed on Mar. 20, 2019, 7 pages.

Office Action dated Sep. 3, 2020 in U.S. Appl. No. 16/359,759, filed Mar. 20, 2019 and published as US-2019-0299217-A1 on Oct. 3, 2019, 10 pages.

Office Action dated Sep. 11, 2020 in U.S. Appl. No. 29/684,389, filed Mar. 20, 2019, 10 pages.

Racks For Tips For Pipette With Filter Element 5ml, retrieved on Sep. 8, 2020 from URL: http://www.toolots.com/80208085.html?cid=10196878749&gclid=EAlalQobChMlnq08xZna6wIVGUWGChOJRQxkEAQYOCA8EgIM6_D_BwE, published date unknown, 1 page.

* cited by examiner

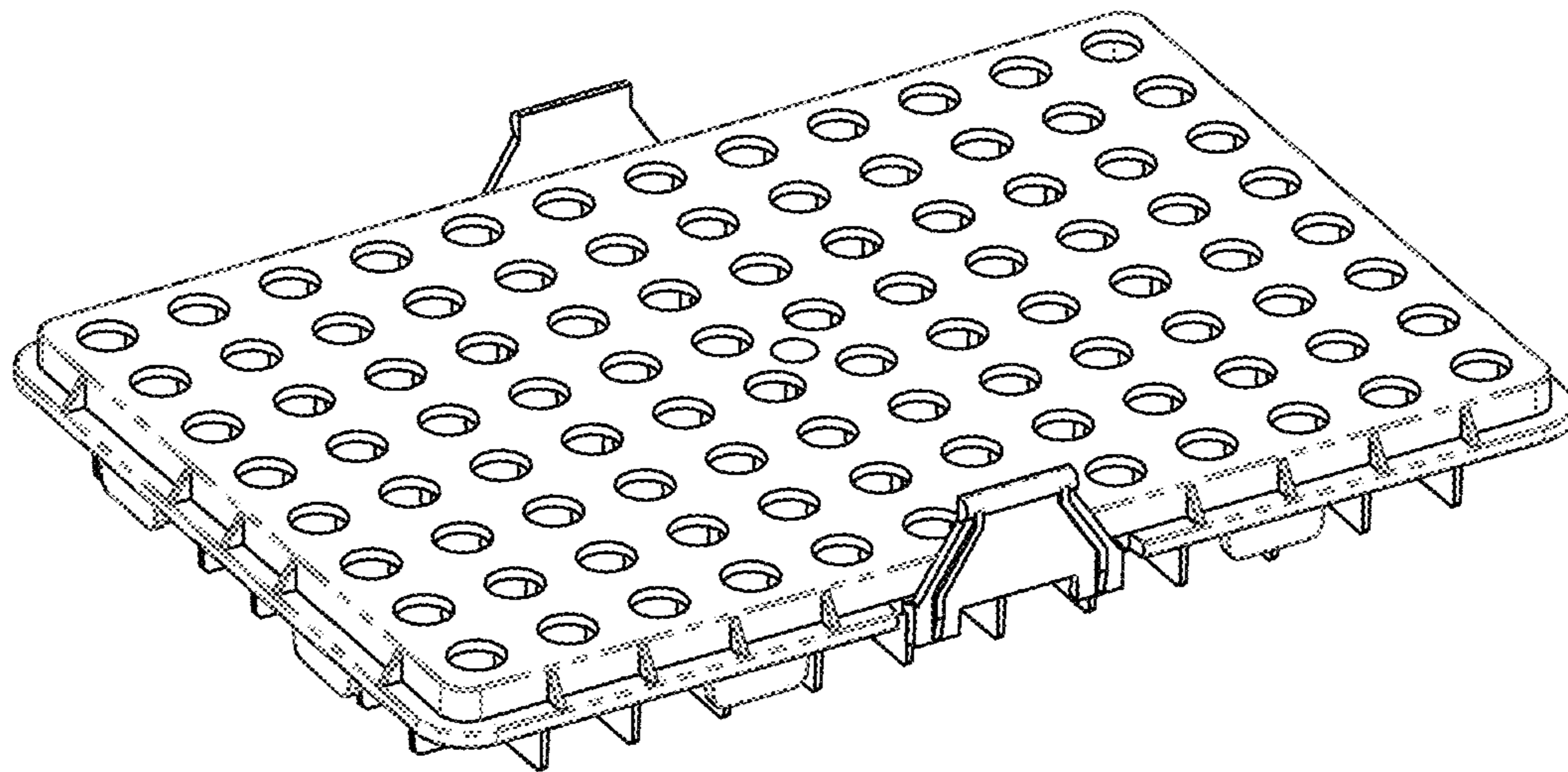


FIG. 1

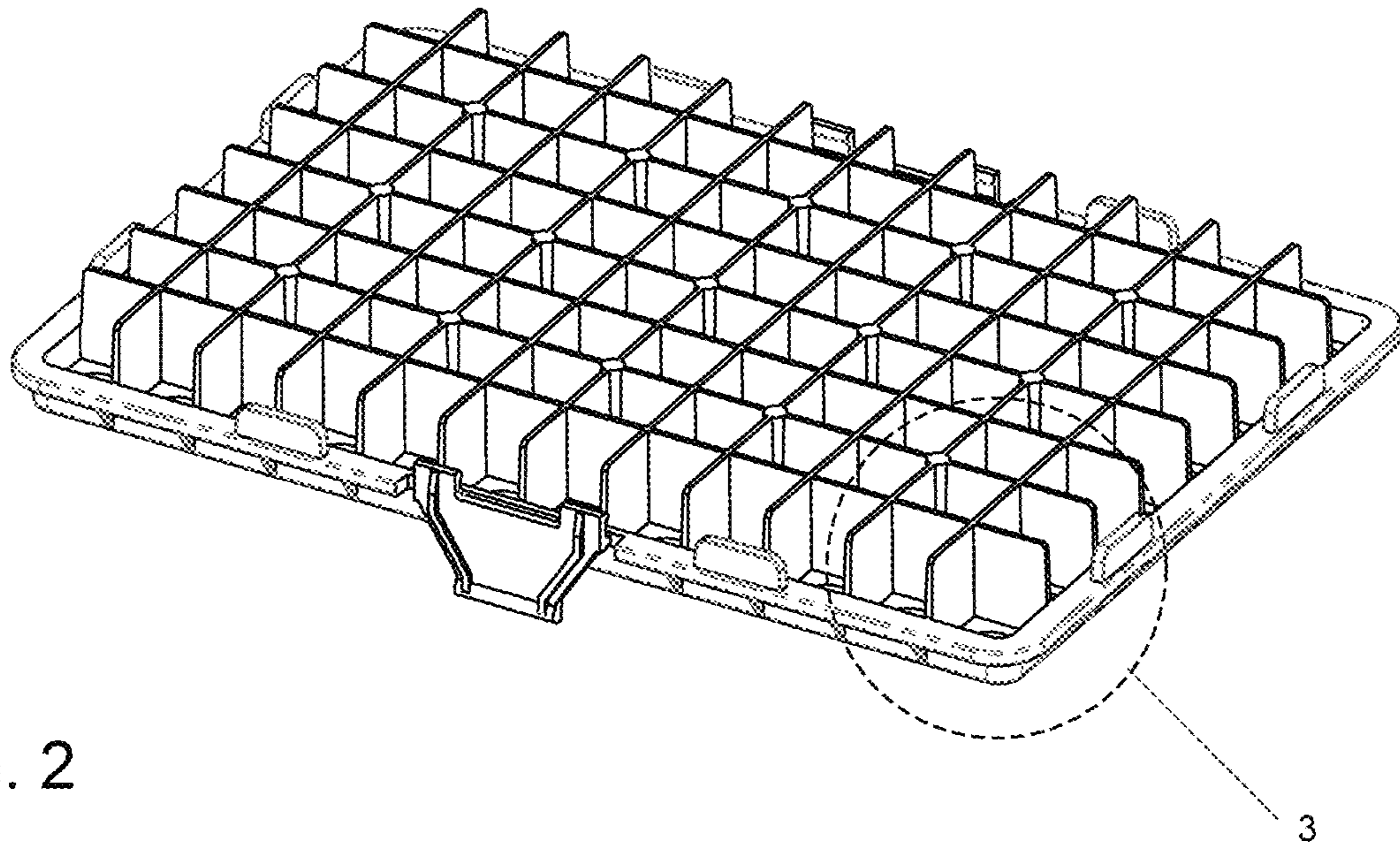


FIG. 2

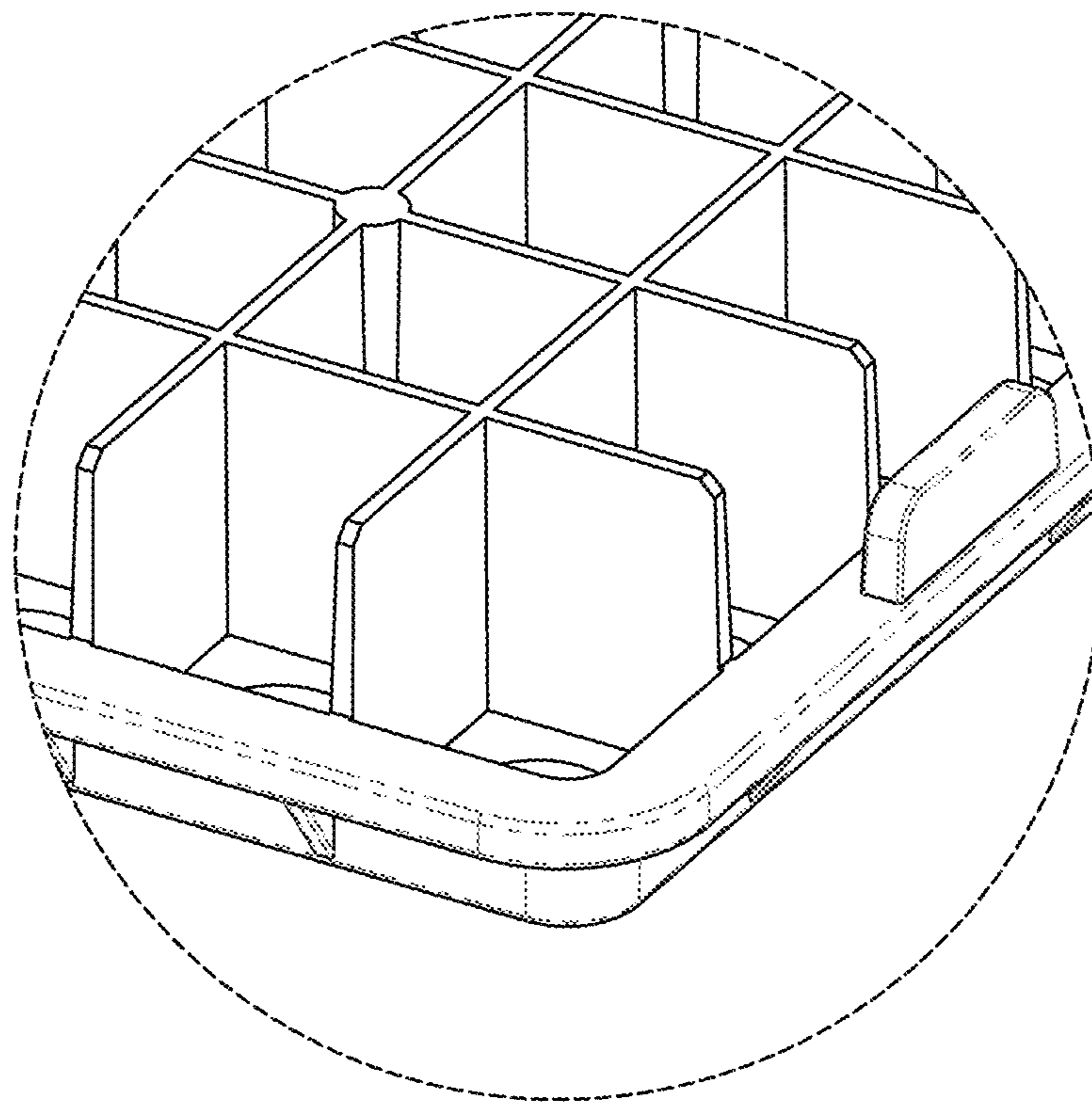


FIG. 3

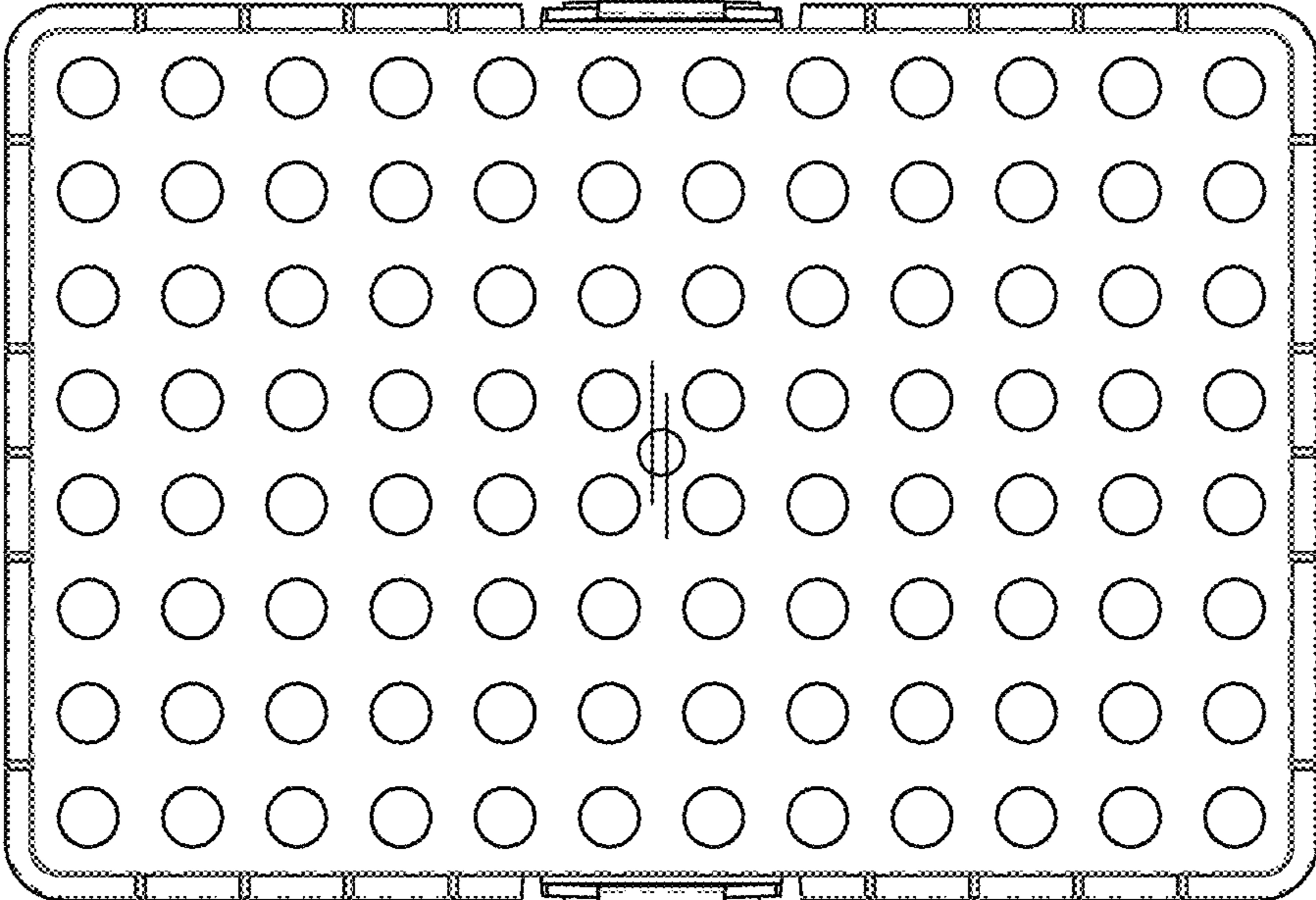


FIG. 4

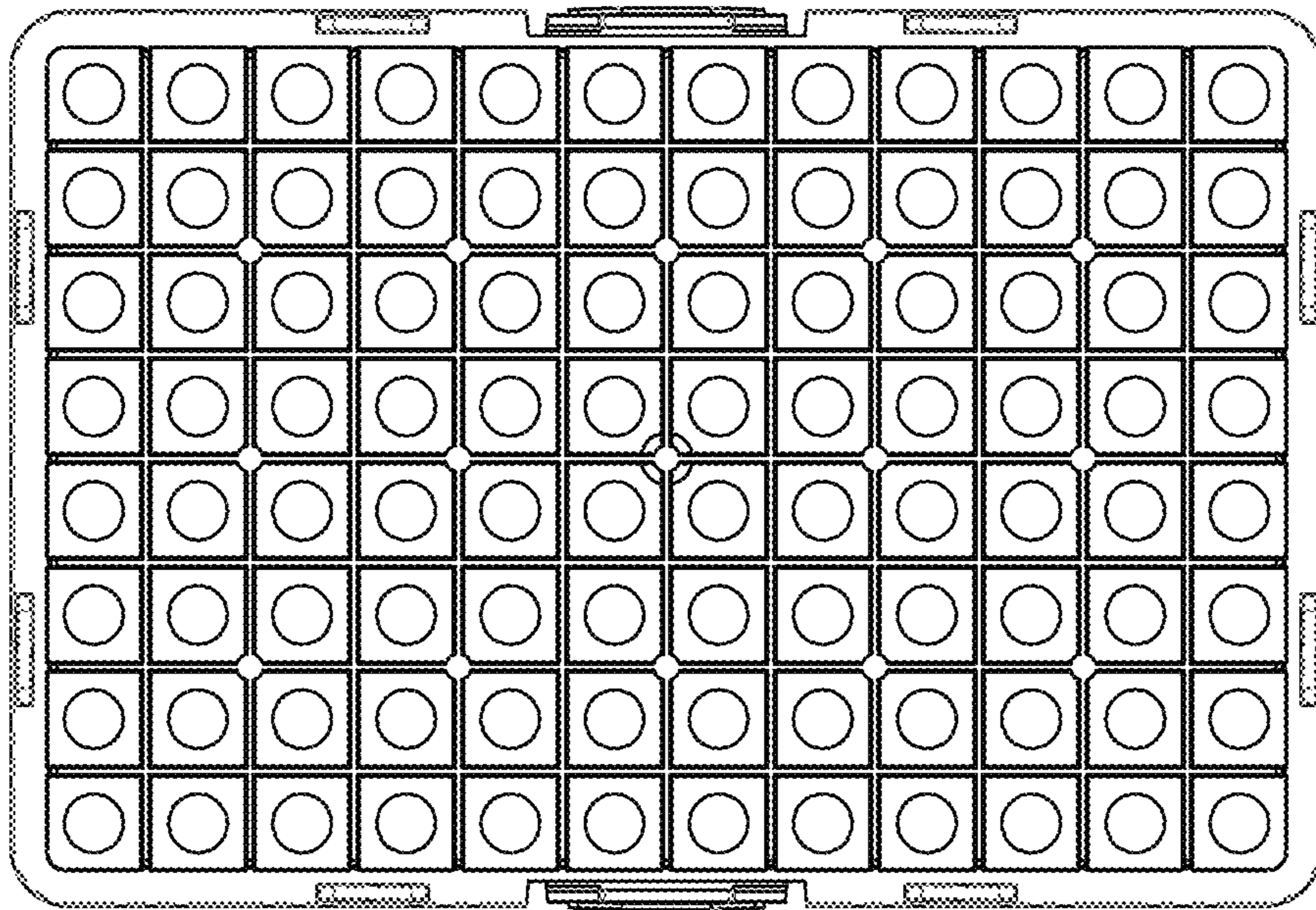


FIG. 5

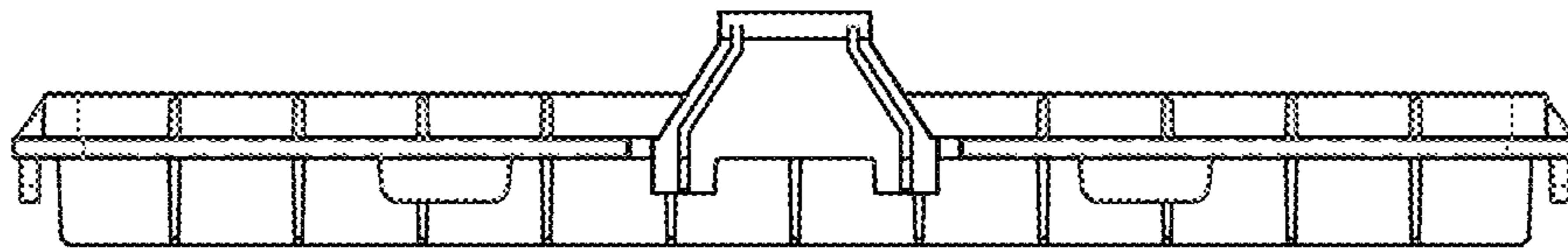


FIG. 6

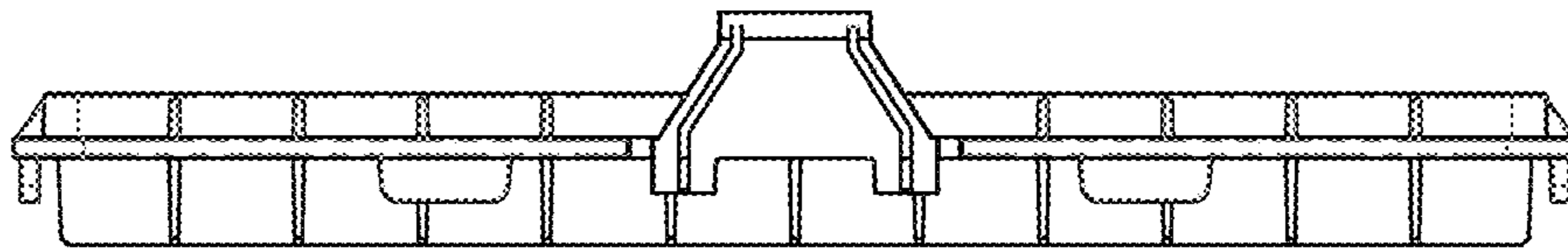


FIG. 7

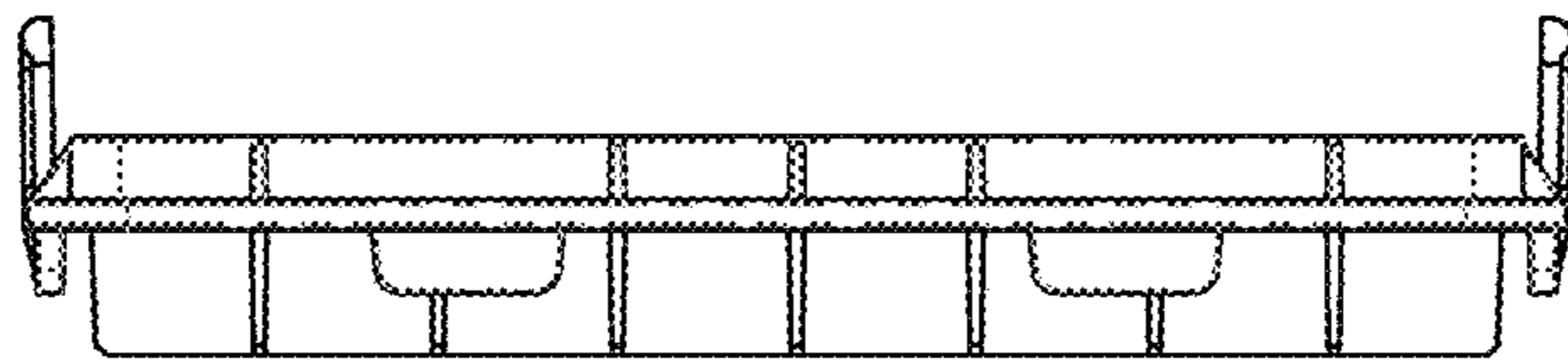


FIG. 8

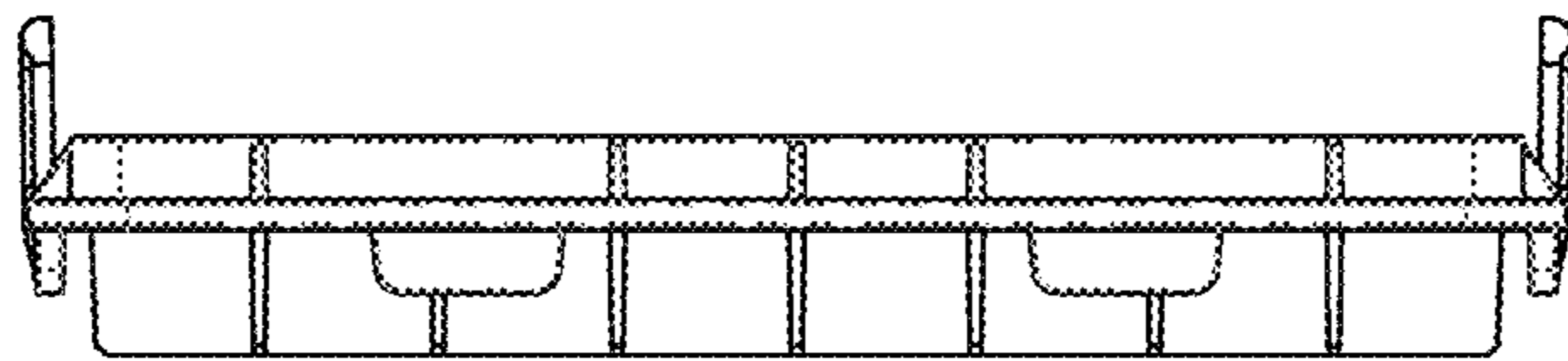


FIG. 9