



US00D954995S

(12) **United States Design Patent** (10) **Patent No.:** **US D954,995 S**  
**Silbert** (45) **Date of Patent:** **\*\* Jun. 14, 2022**

(54) **SAMPLE CARRIER**  
(71) Applicant: **GEN-PROBE INCORPORATED**, San Diego, CA (US)  
(72) Inventor: **Rolf Silbert**, Del Mar, CA (US)  
(73) Assignee: **GEN-PROBE INCORPORATED**, San Diego, CA (US)  
(\*\*) Term: **15 Years**  
(21) Appl. No.: **29/800,307**  
(22) Filed: **Jul. 20, 2021**

**Related U.S. Application Data**

(63) Continuation of application No. 29/713,230, filed on Nov. 14, 2019, now Pat. No. Des. 928,985.  
(51) **LOC (13) Cl.** ..... **24-02**  
(52) **U.S. Cl.**  
USPC ..... **D24/228**  
(58) **Field of Classification Search**  
USPC ..... D24/216, 224-230; D7/704; D6/405, D6/681.3, 682.6; D11/128, 157  
CPC ..... B01L 3/50; B01L 3/5025; B01L 3/508; B01L 3/5082; B01L 3/5085; G01N 35/04; G01N 2035/0477  
See application file for complete search history.

(56) **References Cited**

**U.S. PATENT DOCUMENTS**

D262,573 S \* 1/1982 Wohlers ..... D24/228  
D414,273 S \* 9/1999 Smith ..... D24/227  
D539,104 S \* 3/2007 Goodman ..... D6/682.6  
D627,056 S \* 11/2010 Quensel ..... D24/107  
D637,311 S \* 5/2011 Isobe ..... D24/227  
D637,312 S \* 5/2011 Isobe ..... D24/227  
D669,816 S \* 10/2012 Dubow ..... D11/157  
D806,260 S \* 12/2017 Malyarov ..... D24/229

D894,423 S \* 8/2020 Bantug ..... D24/227  
D928,985 S \* 8/2021 Silbert ..... D24/228  
2005/0207945 A1 \* 9/2005 Itoh ..... B01L 9/06  
422/562  
2013/0186030 A1 \* 7/2013 Hebert, Jr. .... E04G 15/061  
52/698  
2021/0061584 A1 \* 3/2021 Silbert ..... G01N 35/0099

**OTHER PUBLICATIONS**

Flexrake® Wood Fruit Picker 8'. Online, published date unknown. Retrieved on Aug. 31, 2021 from URL: <https://idiggreenacres.com/products/flexrake-174-wood-fruit-picker-8>.\*

\* cited by examiner

*Primary Examiner* — Omeed Agilee

(74) *Attorney, Agent, or Firm* — Sterne, Kessler, Goldstein & Fox P.L.L.C.; Charles B. Cappellari

(57) **CLAIM**

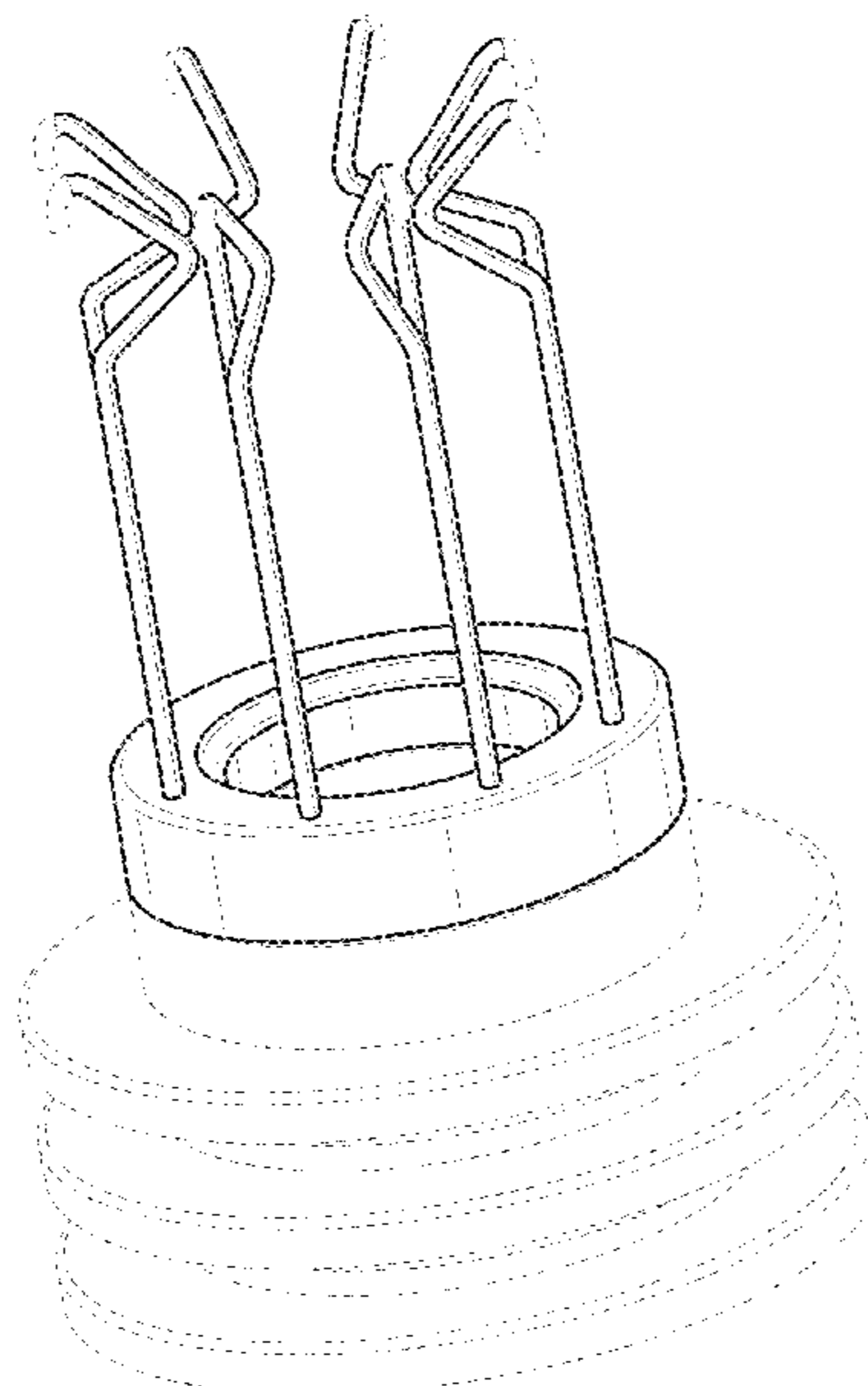
The ornamental design for a sample carrier, as shown and described.

**DESCRIPTION**

FIG. 1 is a top front perspective view of a sample carrier showing the claimed design;  
FIG. 2 is a bottom rear perspective view thereof;  
FIG. 3 is a front view thereof;  
FIG. 4 is a rear view thereof;  
FIG. 5 is a left side view thereof;  
FIG. 6 is a right side view thereof;  
FIG. 7 is a top view thereof; and,  
FIG. 8 is a bottom view thereof.

The dashed broken lines in the figures show portions of the sample carrier that form no part of the claimed design. The dot dash broken lines in the figures depict the boundaries of the claim and form no part thereof.

**1 Claim, 8 Drawing Sheets**



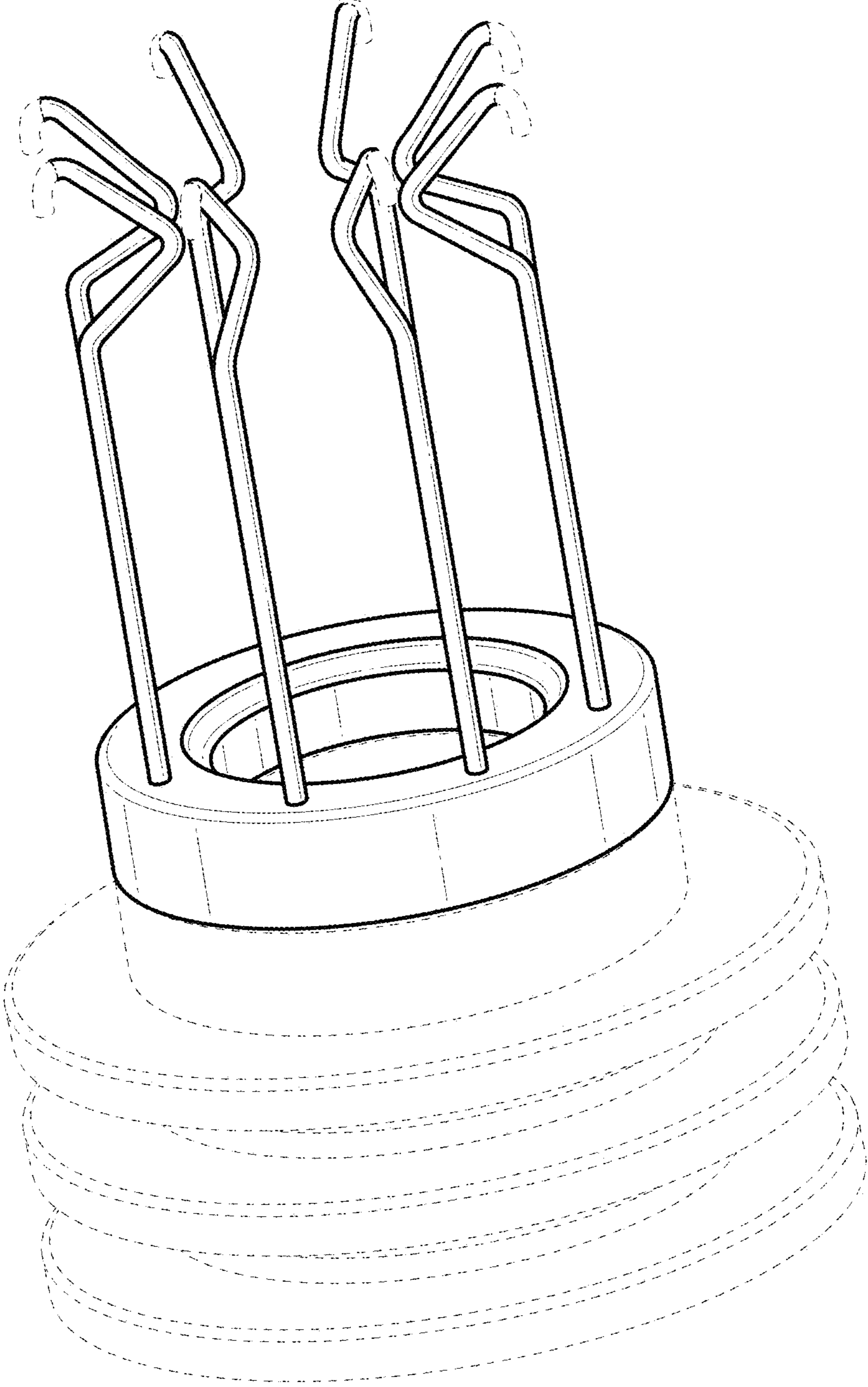


FIG. 1

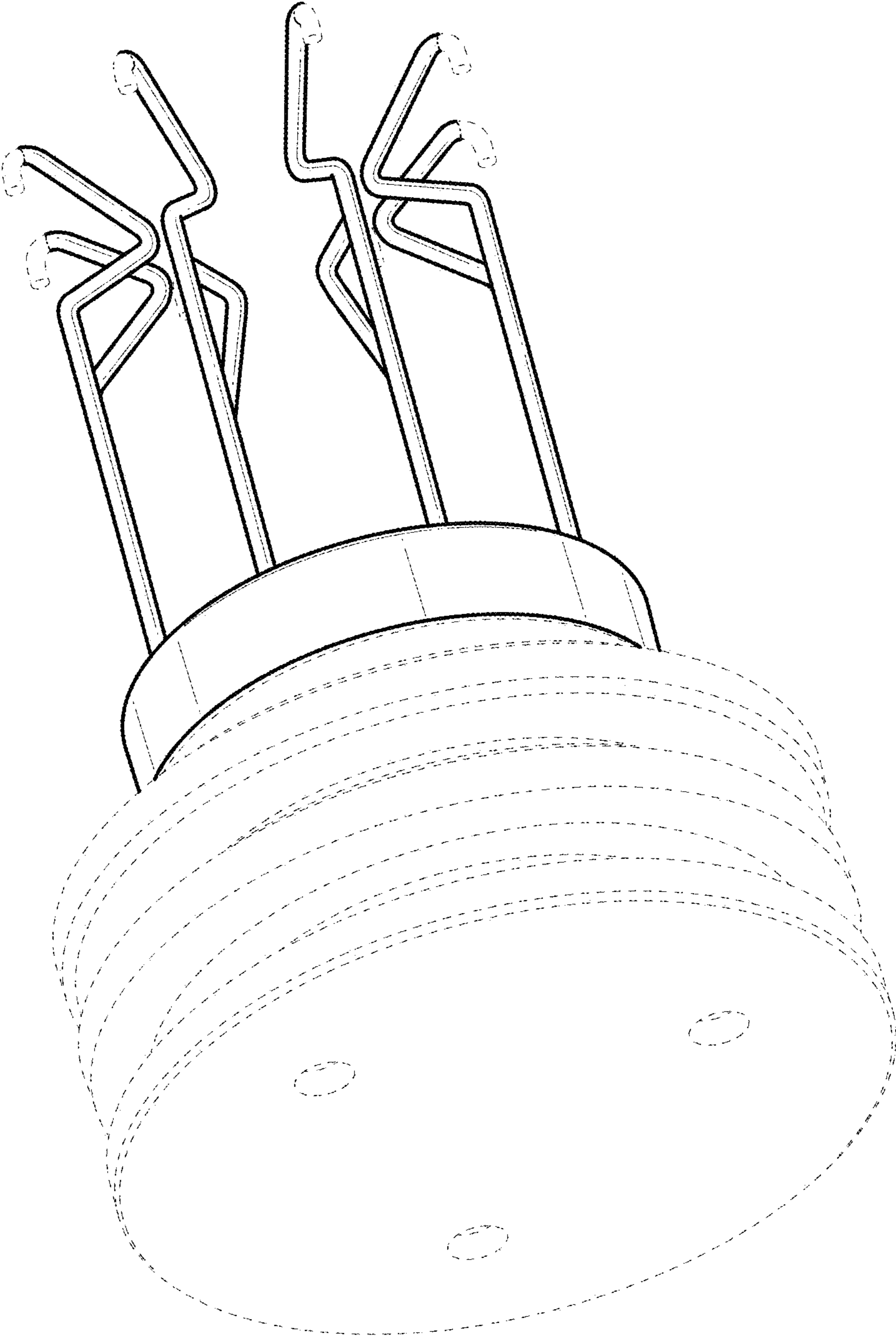


FIG. 2

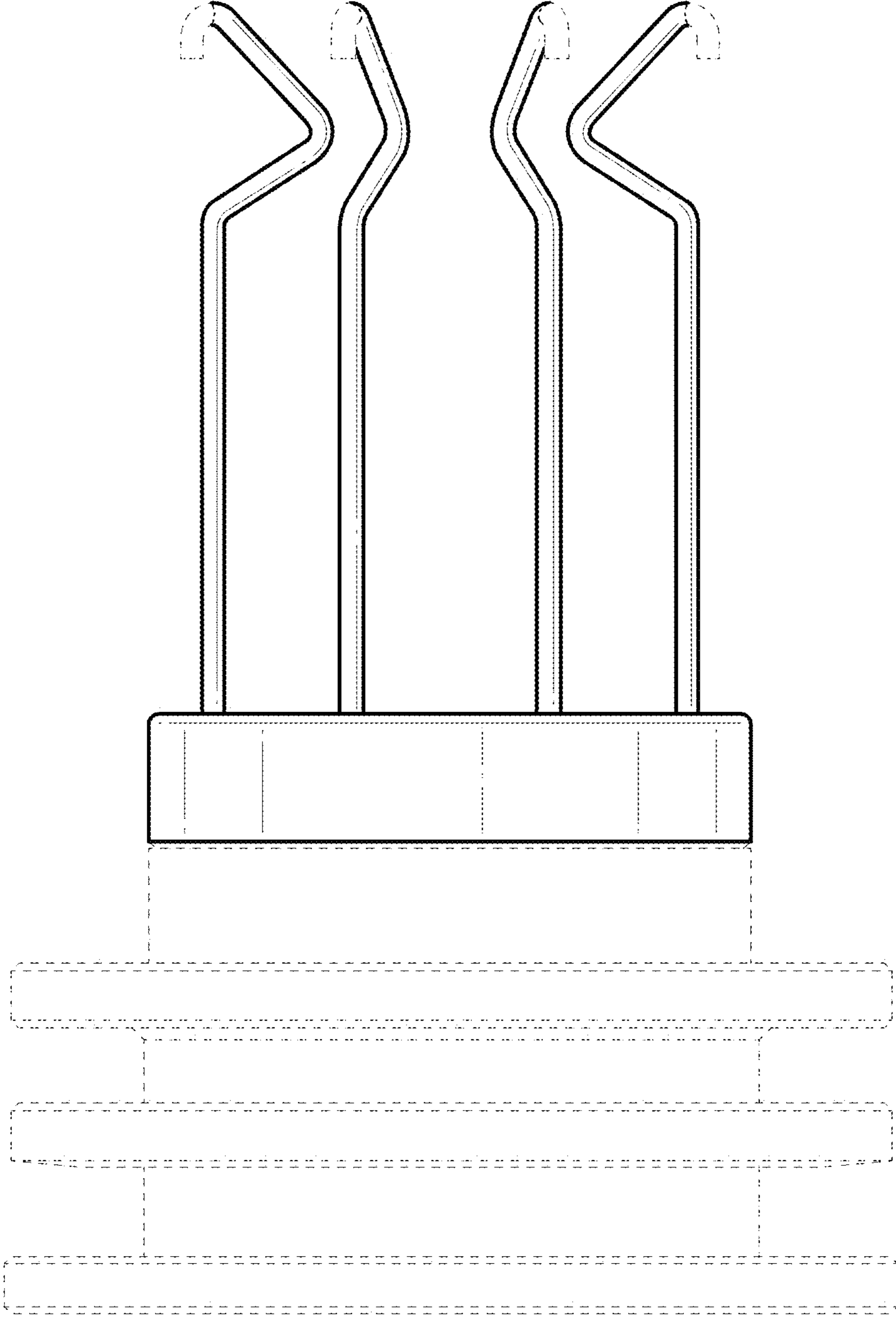
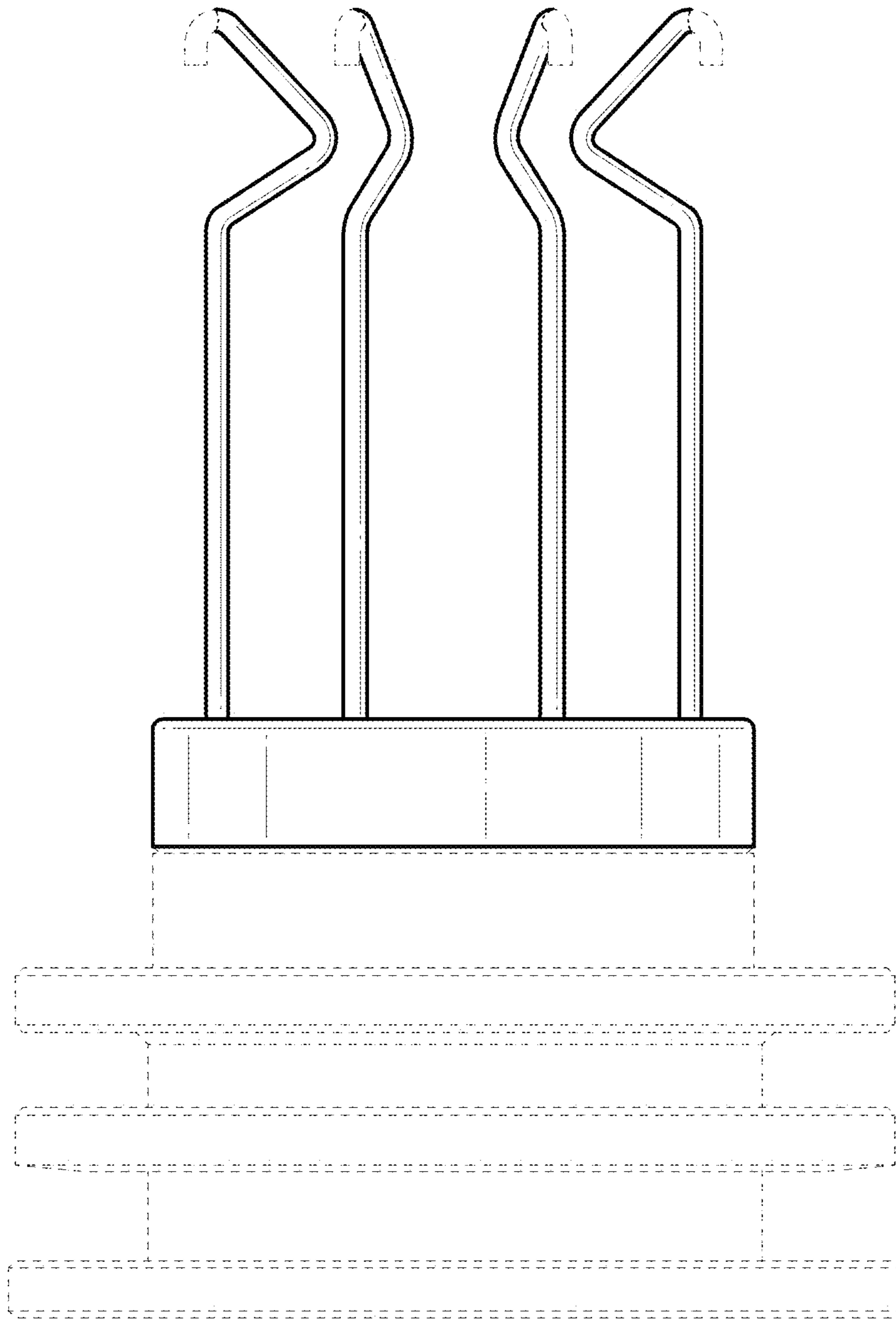
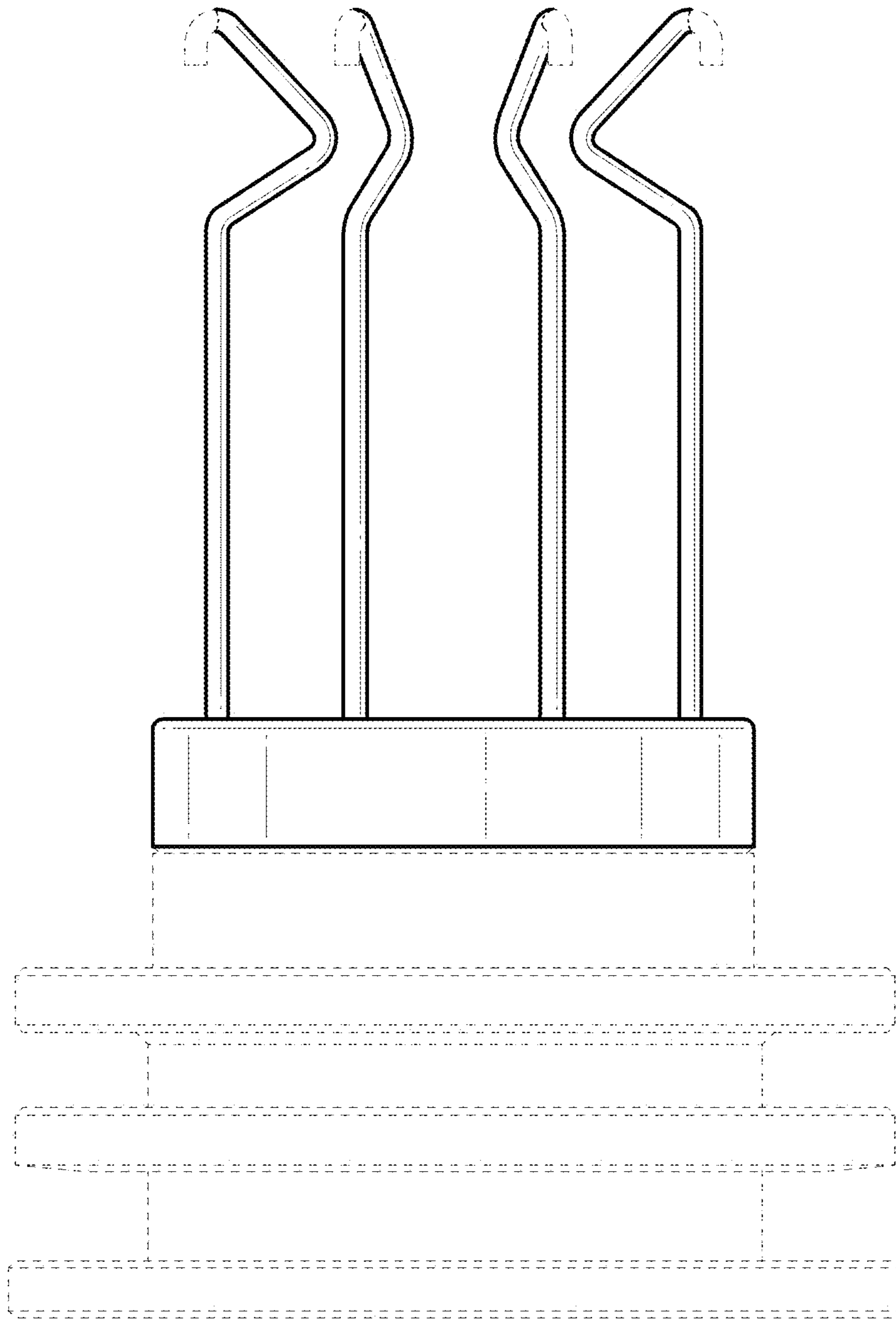


FIG. 3



**FIG. 4**



**FIG. 5**

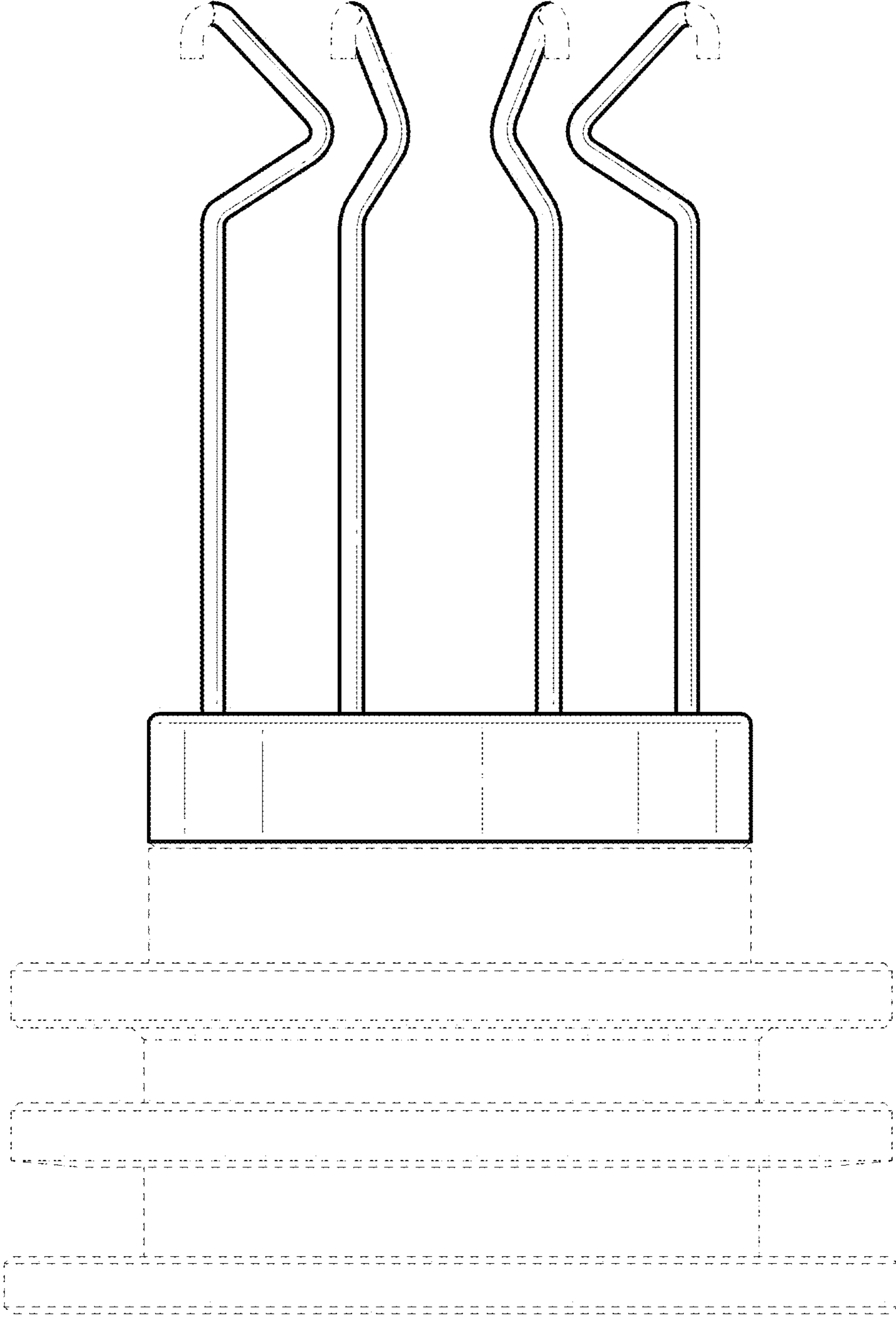
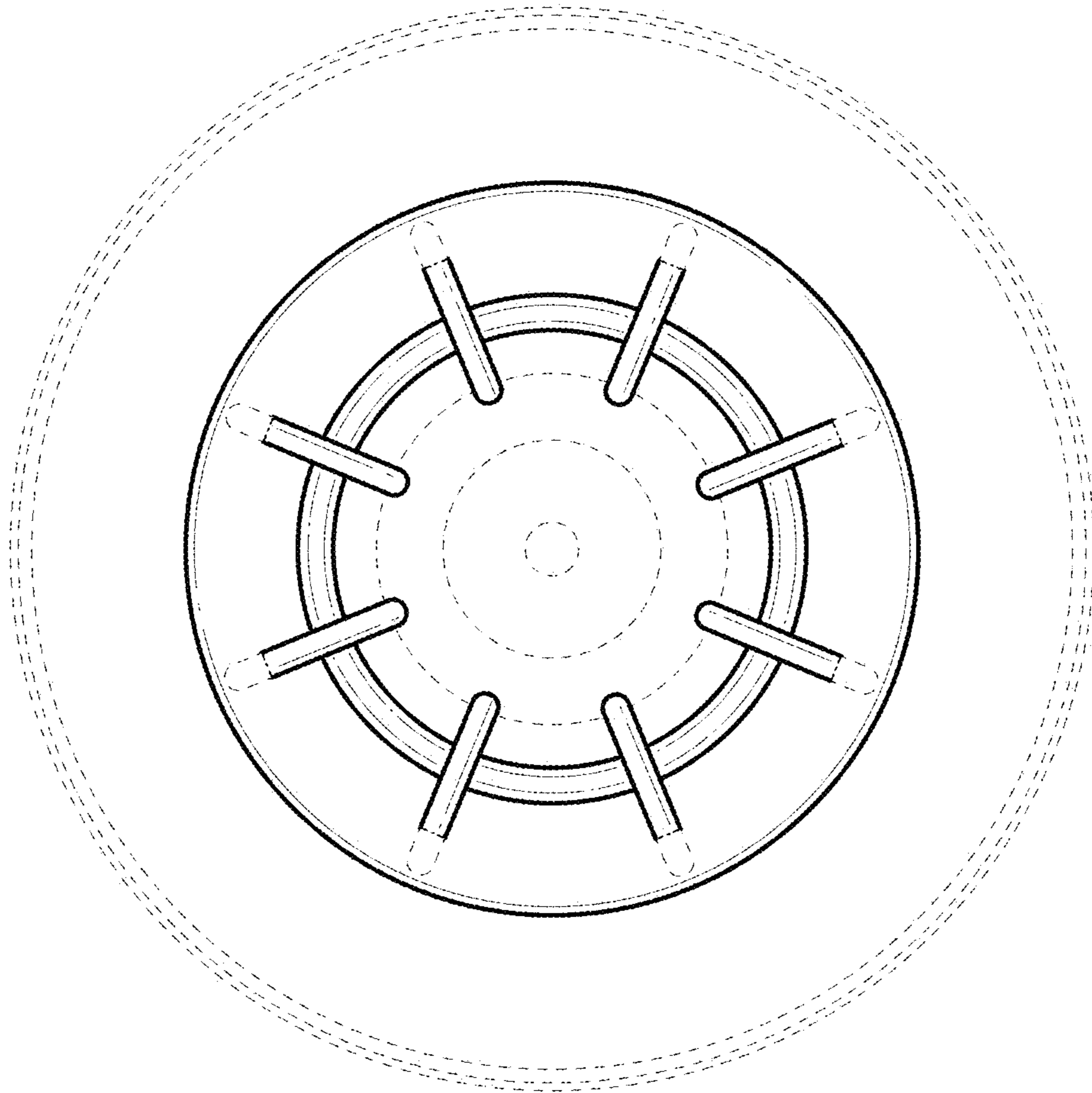
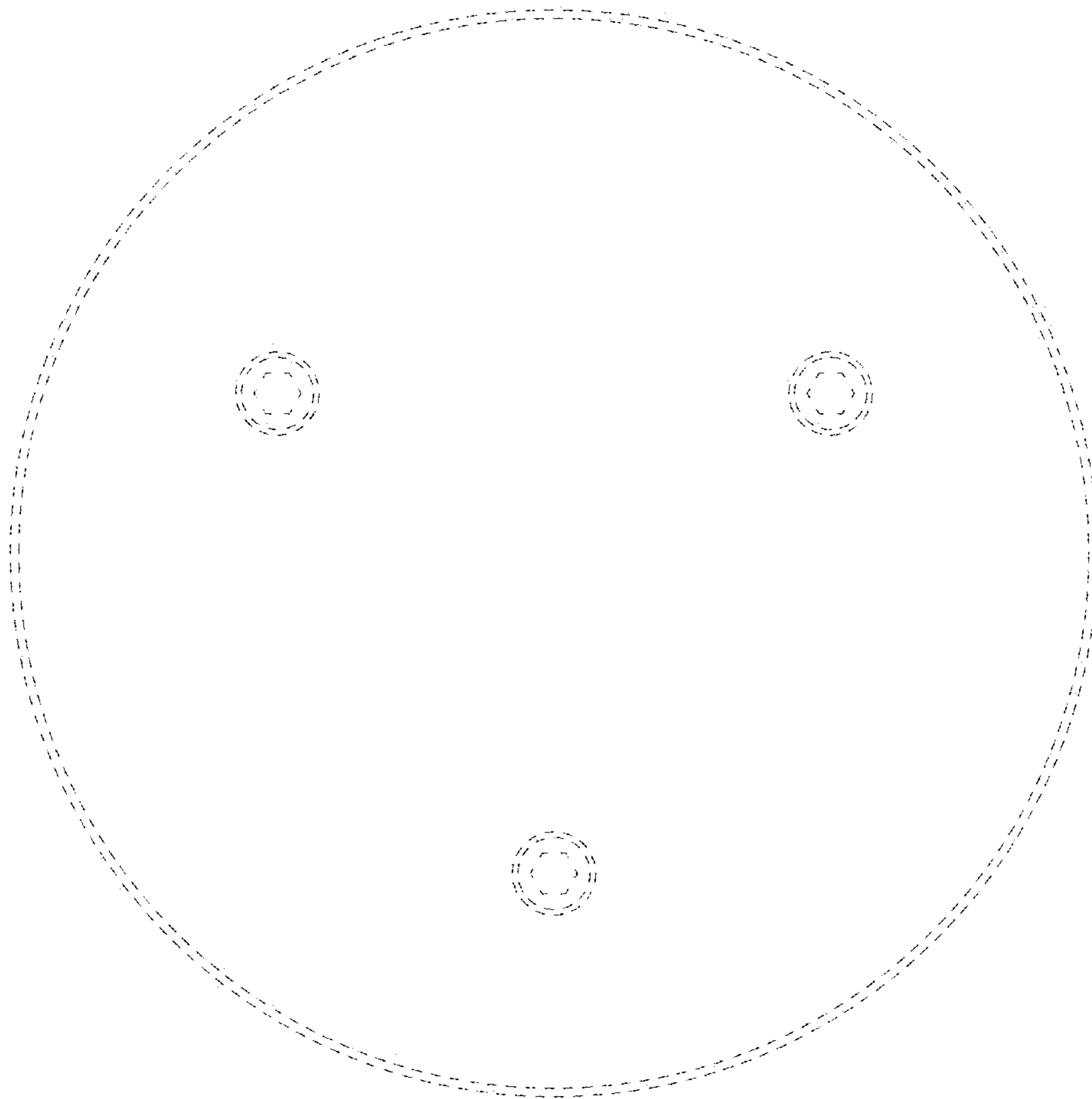


FIG. 6



**FIG. 7**





**FIG. 8**