



US00D954994S

(12) **United States Design Patent** (10) **Patent No.:** **US D954,994 S**
Scott (45) **Date of Patent:** **** *Jun. 14, 2022**

- (54) **FINE MESH MEDICAL BASKET**
- (71) Applicant: **Stor-Med Pty Ltd**, Orange (AU)
- (72) Inventor: **David William Scott**, Orange (AU)
- (73) Assignee: **Stor-Med Pty Ltd**, Orange (AU)
- (*) Notice: This patent is subject to a terminal disclaimer.
- (**) Term: **15 Years**
- (21) Appl. No.: **29/717,092**
- (22) Filed: **Dec. 13, 2019**
- (51) **LOC (13) Cl.** **24-02**
- (52) **U.S. Cl.**
USPC **D24/228**
- (58) **Field of Classification Search**
USPC ... D24/108, 110, 110.4, 162, 216, 222, 223,
D24/224, 227-230; D3/201, 304, 306,
D3/307; D7/601, 637, 409; D19/75-77,
D19/90; D15/1-6
CPC . B65D 7/08; B65D 7/14; B65D 25/22; B65D
7/16; B65D 7/20; B01L 9/06; B01L 7/52;
G01N 25/486; B01J 8/008; B01J 8/02
See application file for complete search history.

- (56) **References Cited**
U.S. PATENT DOCUMENTS
D450,453 S * 11/2001 Andujar D3/306
D453,027 S * 1/2002 Andujar D19/90
D586,558 S * 2/2009 Ziemann D3/304
D609,509 S * 2/2010 Hrovat D3/304
D712,566 S * 9/2014 Hicks D24/227
D759,976 S * 6/2016 Hardy D3/306
9,629,462 B2 * 4/2017 Fu A47B 88/95
D843,172 S * 3/2019 McGinnis D7/409
D847,510 S * 5/2019 Post D3/306
D865,365 S * 11/2019 Hardy D3/306

- D873,567 S * 1/2020 Hardy D3/306
- D880,861 S * 4/2020 Hardy D3/306
- D882,954 S * 5/2020 Chiang D3/306
- D887,578 S * 6/2020 Koseoglu D24/227
- D895,290 S * 9/2020 Dittrich D3/306
- (Continued)

OTHER PUBLICATIONS

Basket 8" Ea. Online, published date unknown. Retrieved on May 7, 2021 from URL: <https://www.henryschein.com/us-en/medical/p/equipment/exam-room/basket-8-transparent/1336262>.
(Continued)

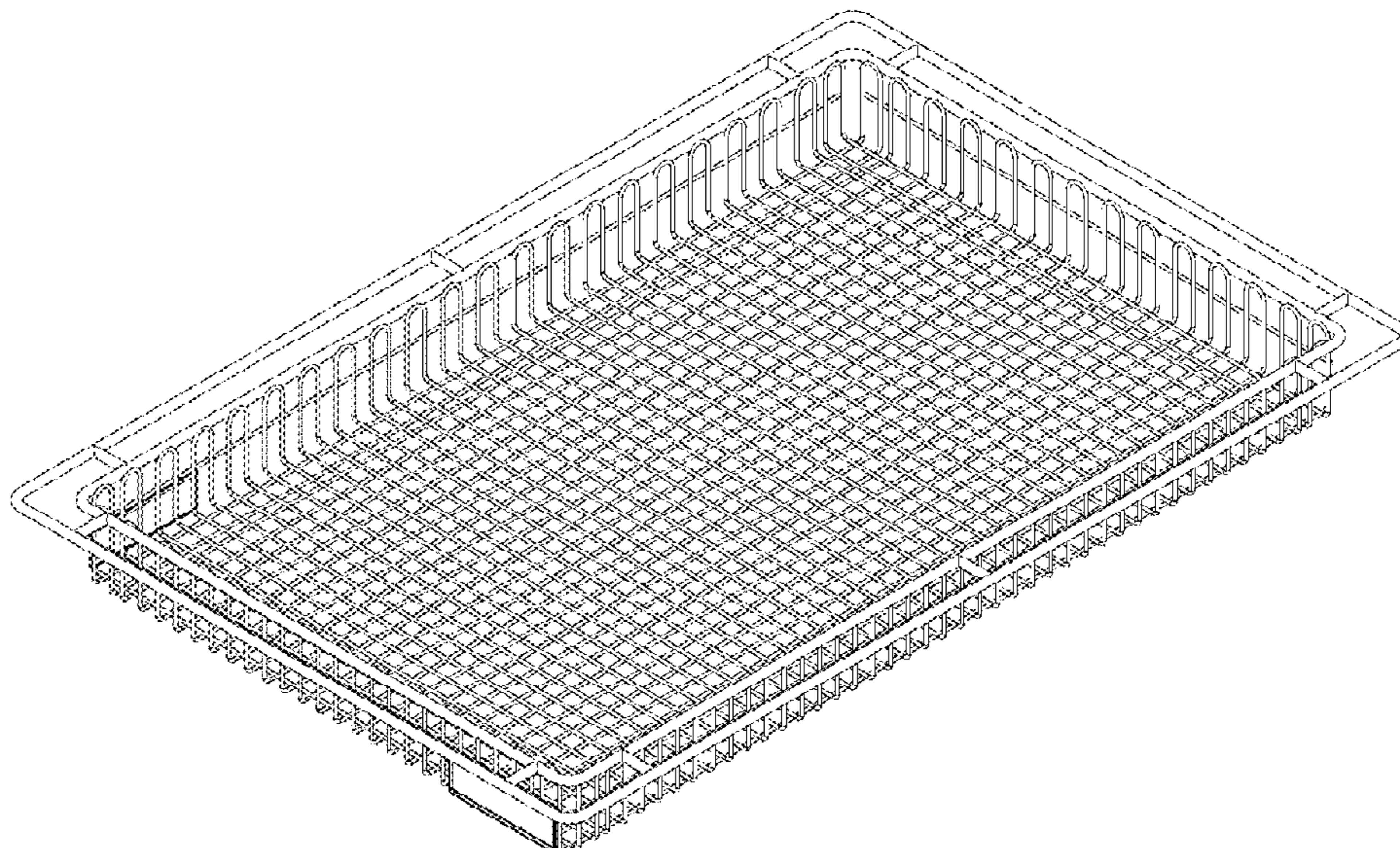
Primary Examiner — Omeed Agilee
(74) *Attorney, Agent, or Firm* — Swidler Law Group, LLC; Sean S. Swidler

(57) **CLAIM**
The ornamental design for a fine mesh medical basket, as shown and described.

DESCRIPTION

FIG. 1 is an isometric view of a fine mesh medical basket showing my design;
FIG. 2 is a first side elevation view of the design of FIG. 1;
FIG. 3 is a top plan view of the design of FIG. 1;
FIG. 4 is a bottom plan view of the design of FIG. 1;
FIG. 5 is a second side elevation view of the design of FIG. 1;
FIG. 6 is a third side elevation view of the design of FIG. 1; and,
FIG. 7 is an enlarged isometric partial view of the lower first side corner of the design of FIG. 1, the dash-dash line depicts the area where the partial view is cut away from the fine mesh medical basket of FIG. 1 and forms no part of the claimed design.
The dash-dash broken line in FIG. 7 depicts the boundary of enlarged view that forms no part of the claimed design.

1 Claim, 7 Drawing Sheets



(56)

References Cited

U.S. PATENT DOCUMENTS

D895,291 S * 9/2020 Hardy D3/306
D908,915 S * 1/2021 Bagnato D24/227

OTHER PUBLICATIONS

Wire Baskets. Online, published date unknown. Retrieved on May 7, 2021 from URL: <http://www.medstor.com.au/baskets-trays/wire-baskets/>.*

* cited by examiner

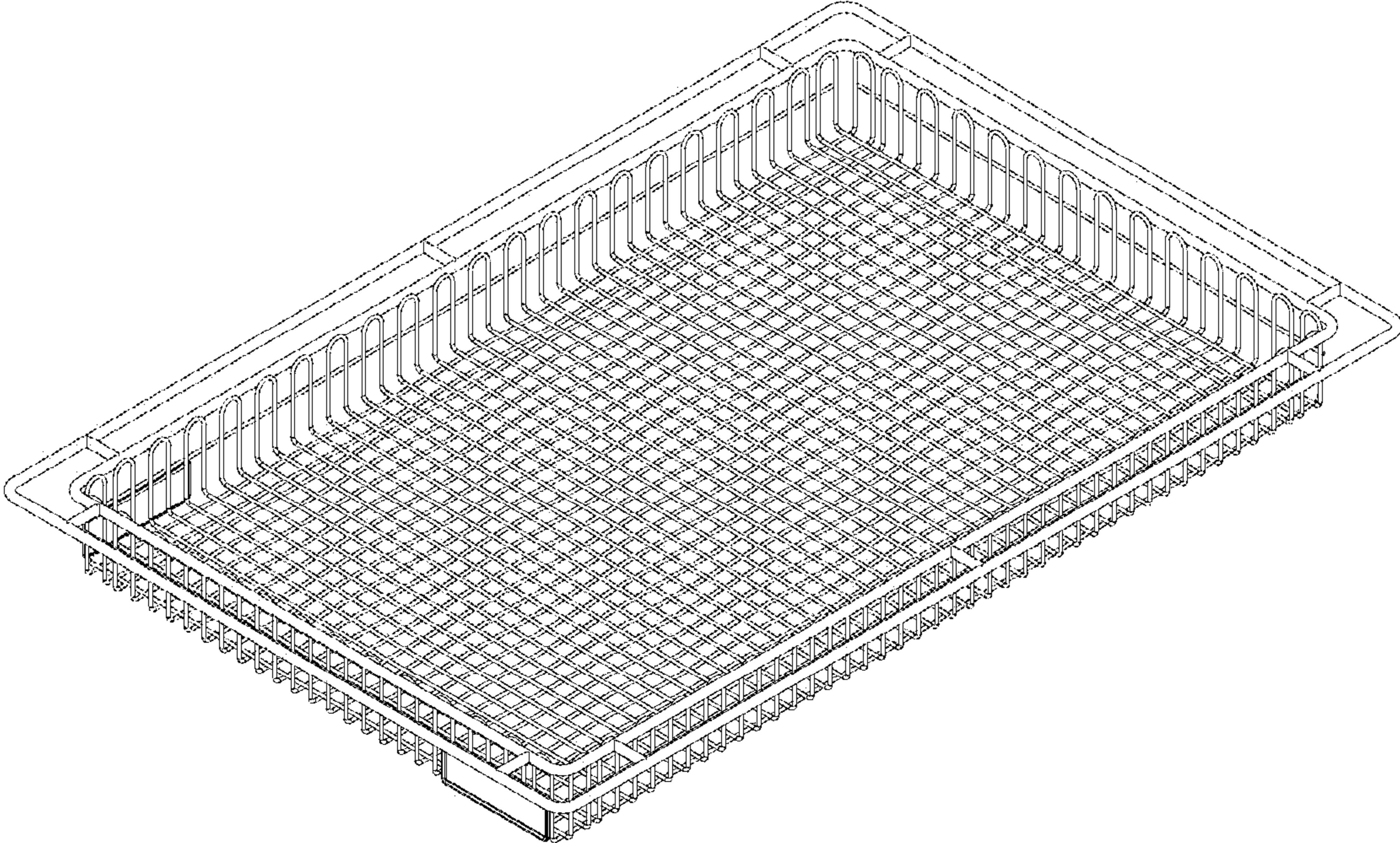


FIG. 1

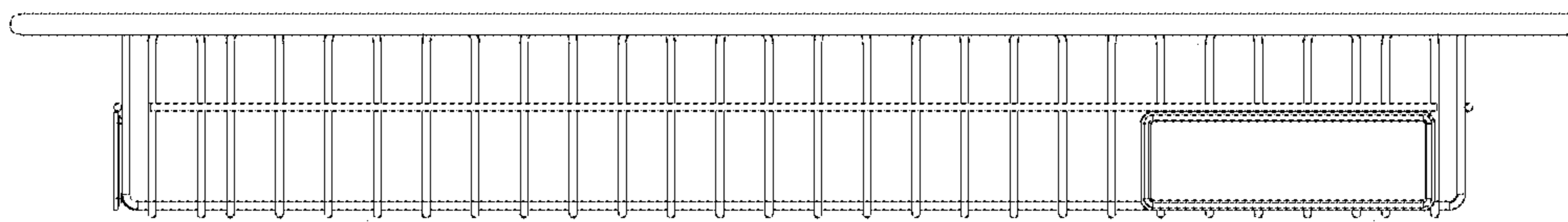


FIG. 2

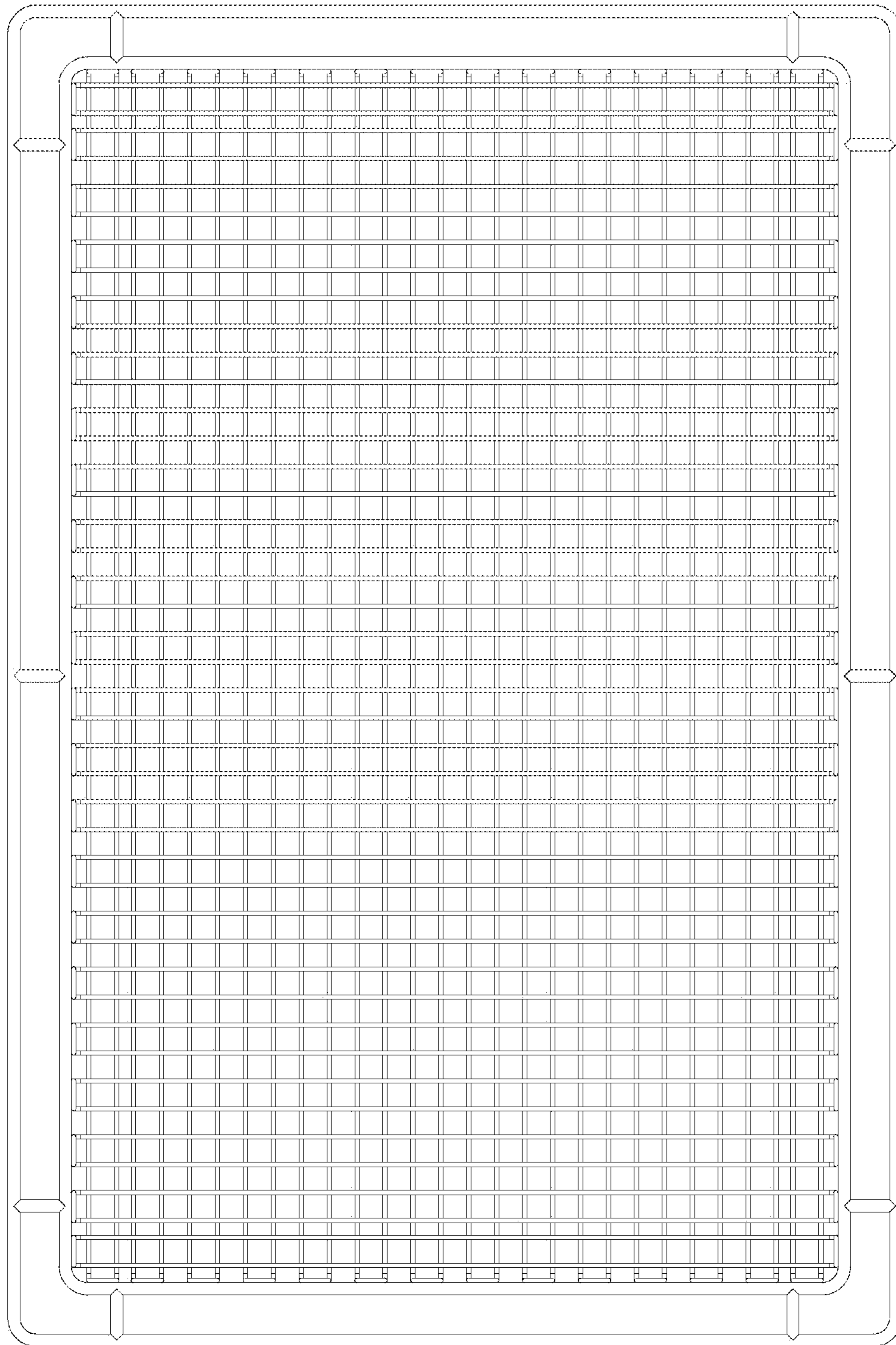
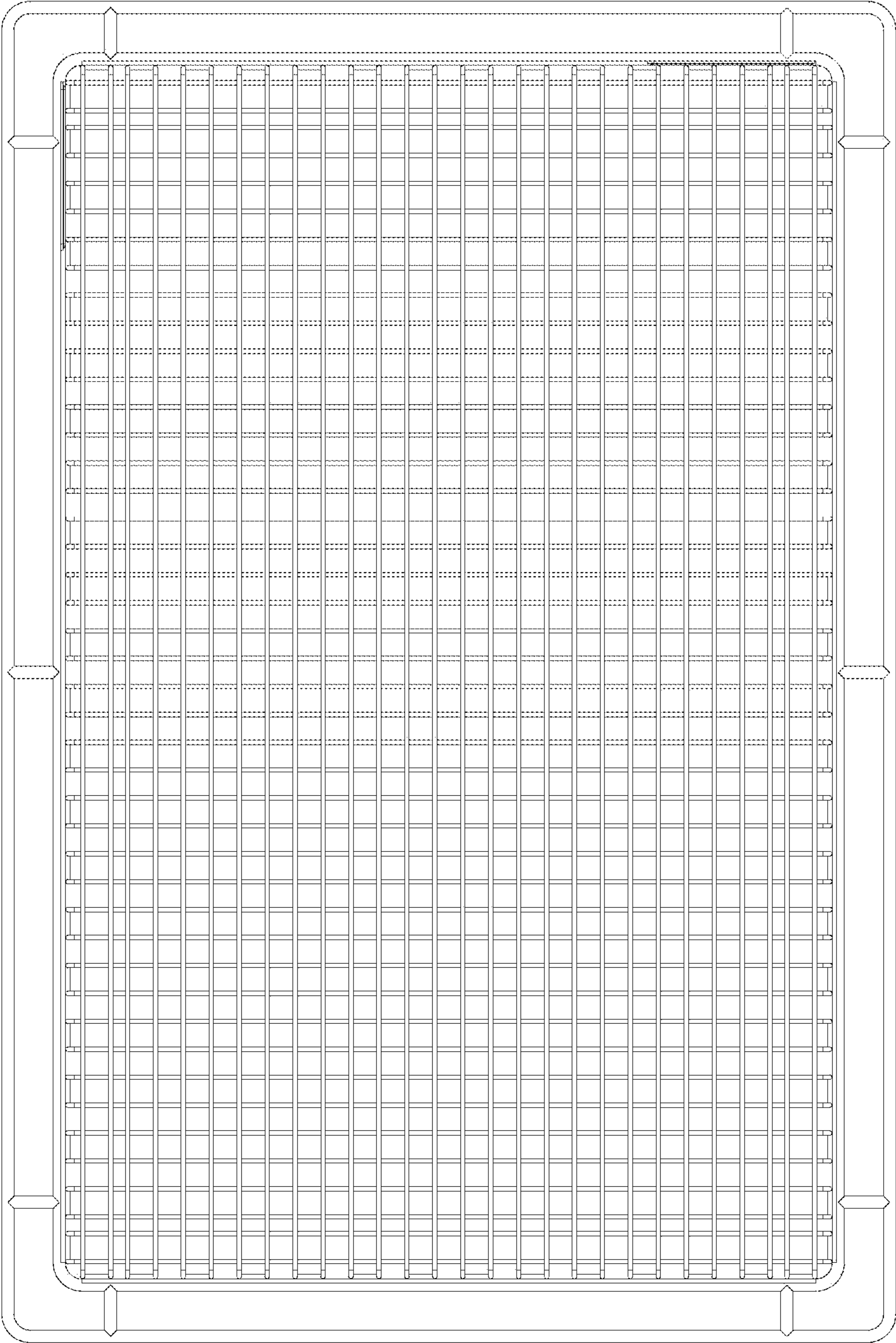


FIG. 3

FIG. 4



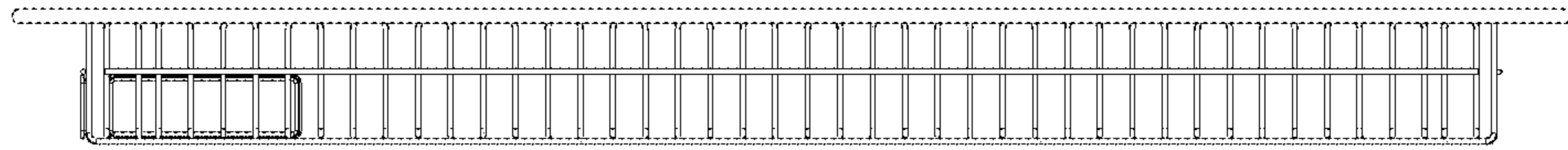


FIG. 5

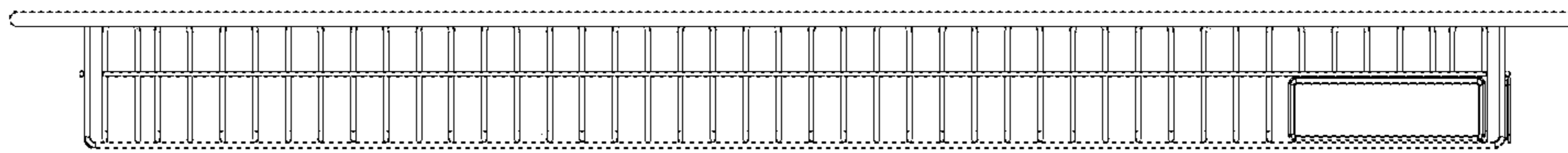


FIG. 6

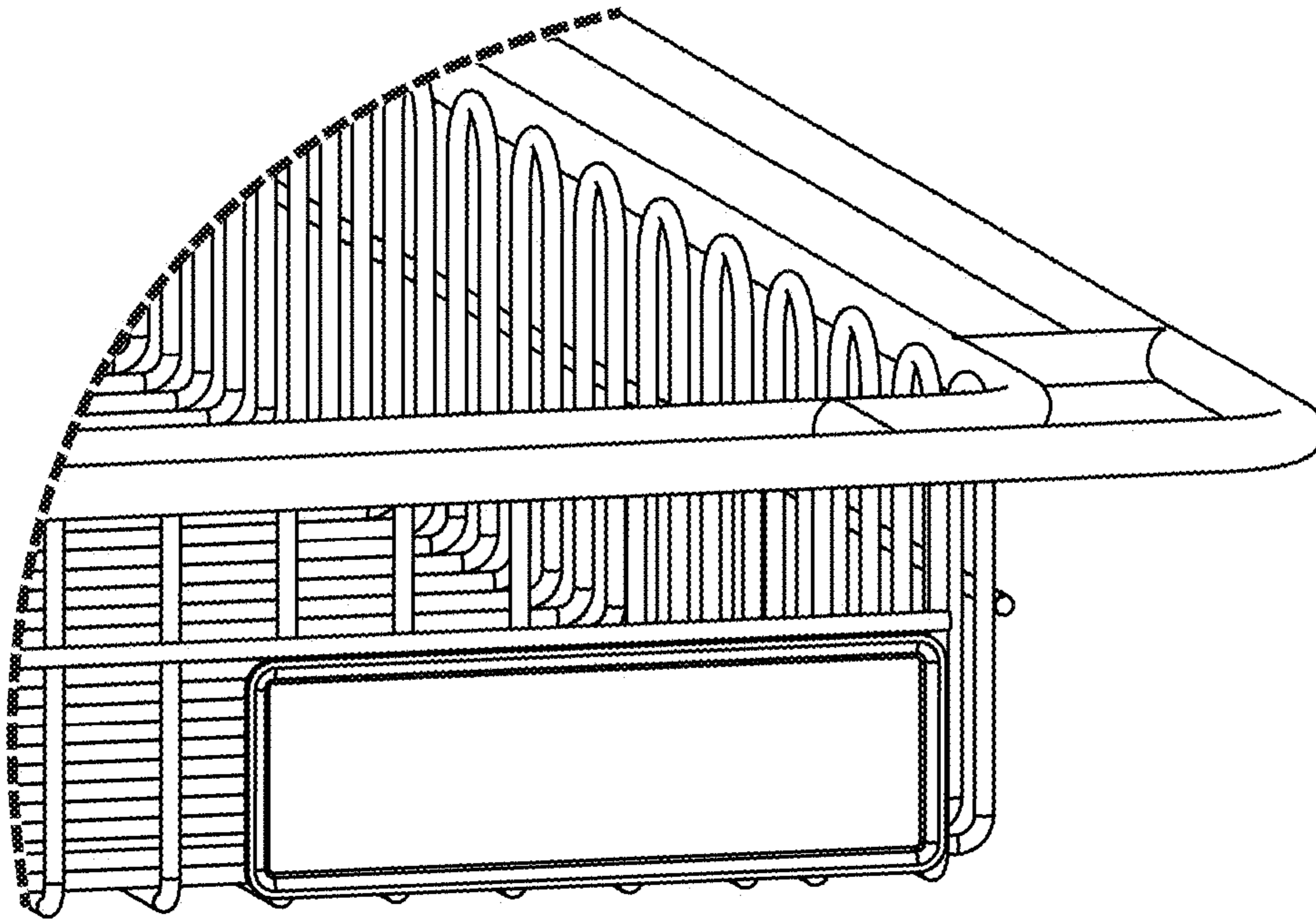


FIG. 7