



US00D954992S

(12) **United States Design Patent** (10) **Patent No.:** **US D954,992 S**
Berka (45) **Date of Patent:** **** Jun. 14, 2022**

(54) **SAMPLE COLLECTION SUMP TRAY FOR MULTIWELL PLATES**

(71) Applicant: **Roche Sequencing Solutions, Inc.**, Pleasanton, CA (US)

(72) Inventor: **Jan Berka**, Pleasanton, CA (US)

(73) Assignee: **Roche Sequencing Solutions, Inc.**, Pleasanton, CA (US)

(**) Term: **15 Years**

(21) Appl. No.: **29/733,438**

(22) Filed: **May 1, 2020**

(51) **LOC (13) Cl.** **24-02**

(52) **U.S. Cl.**
USPC **D24/227**

(58) **Field of Classification Search**
USPC D24/127, 128, 185, 216-232; D7/500, D7/550.1, 553.1, 553.2, 553.4, 553.5, D7/553.8, 554.3; D15/150, 151, 152; D3/203.3, 283, 304; D9/456; D23/200, D23/284, 287, 293.1
CPC A61B 50/30; A61B 50/33; A61B 5/34; A61B 50/36; A61B 2050/0311; A61B 10/0038; A61B 5/150343; G01N 33/521
See application file for complete search history.

(56) **References Cited**

U.S. PATENT DOCUMENTS

D227,413 S *	6/1973	Sherin et al.	D24/127
D352,516 S *	11/1994	Newman	D24/218
D363,221 S *	10/1995	Puryear	D7/700
D409,747 S *	5/1999	Aiken	D24/122
D432,308 S *	10/2000	Lockhart	D3/201
D596,311 S *	7/2009	Antons	D24/227
D624,163 S *	9/2010	Kakahana	D23/293.1
D633,388 S *	3/2011	Andre	D9/456
D638,137 S *	5/2011	Gross	D24/227
D700,303 S *	2/2014	Eveleigh	D23/284
D744,641 S *	12/2015	Aiken	D24/122

D762,255 S *	7/2016	Levy	D15/150
D773,686 S *	12/2016	Moore	D24/227
D778,970 S *	2/2017	Levy	D15/150
D834,158 S *	11/2018	Quinn	D23/293.1
D869,683 S *	12/2019	Hendrix	D24/231
D875,272 S *	2/2020	Muller	D24/224
D891,633 S *	7/2020	Hole	D24/216

(Continued)

OTHER PUBLICATIONS

Plastic Weighing Dish, Square, Antistatic, 100mL, 89x89x25mm. Online, published date unknown. Retrieved on Aug. 16, 2021 from URL: https://www.thomassci.com/controlled-environment/laboratory-supplies/consumables/weigh-dishes/_/Plastic-Weighing-Dish-Square-Antistatic-100mL-89-x-89-x-25mm?q=Plastic%20Sample%20Conta.*

Primary Examiner — Omeed Agilee

(74) *Attorney, Agent, or Firm* — Kilpatrick Townsend and Stockton LLP

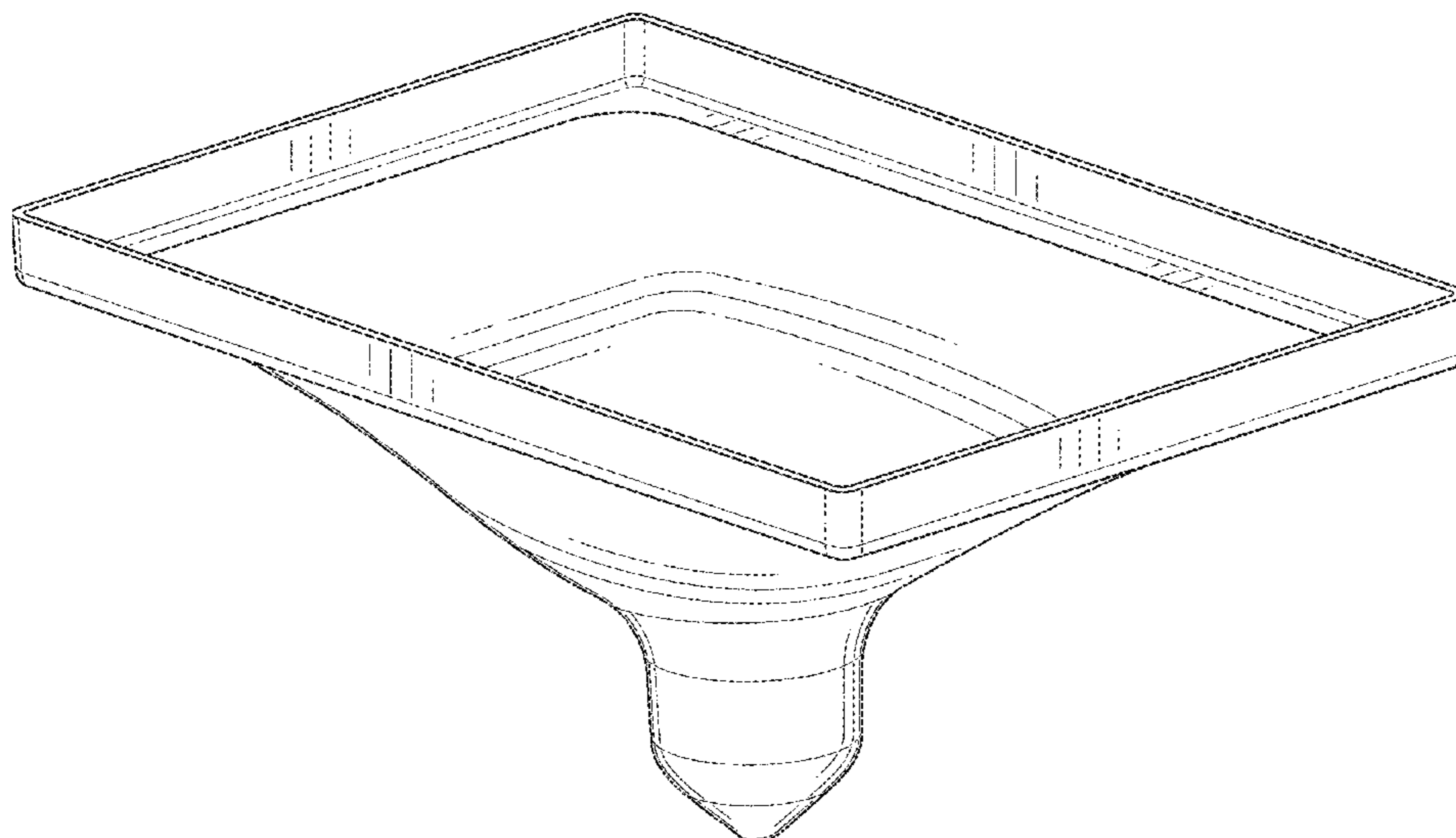
(57) **CLAIM**

The ornamental design for a sample collection sump tray for multiwell plates, as shown and described.

DESCRIPTION

FIG. 1 is a front top perspective view of a sample collection sump tray for multiwell plates showing my new design; FIG. 2 is a front bottom perspective view thereof; FIG. 3 is a left side view thereof; FIG. 4 is a right side view thereof; FIG. 5 is a front view thereof; FIG. 6 is a rear view thereof; FIG. 7 is a top view thereof; FIG. 8 is a bottom view thereof; FIG. 9 is a cross-section view taken along line 9-9 in FIG. 8; and, FIG. 10 is a cross-section view taken along line 10-10 in FIG. 8.

1 Claim, 10 Drawing Sheets



(56)

References Cited

U.S. PATENT DOCUMENTS

D920,742 S * 6/2021 Paine D7/553.2
D925,291 S * 7/2021 Kellow, Jr. D7/553.2

* cited by examiner

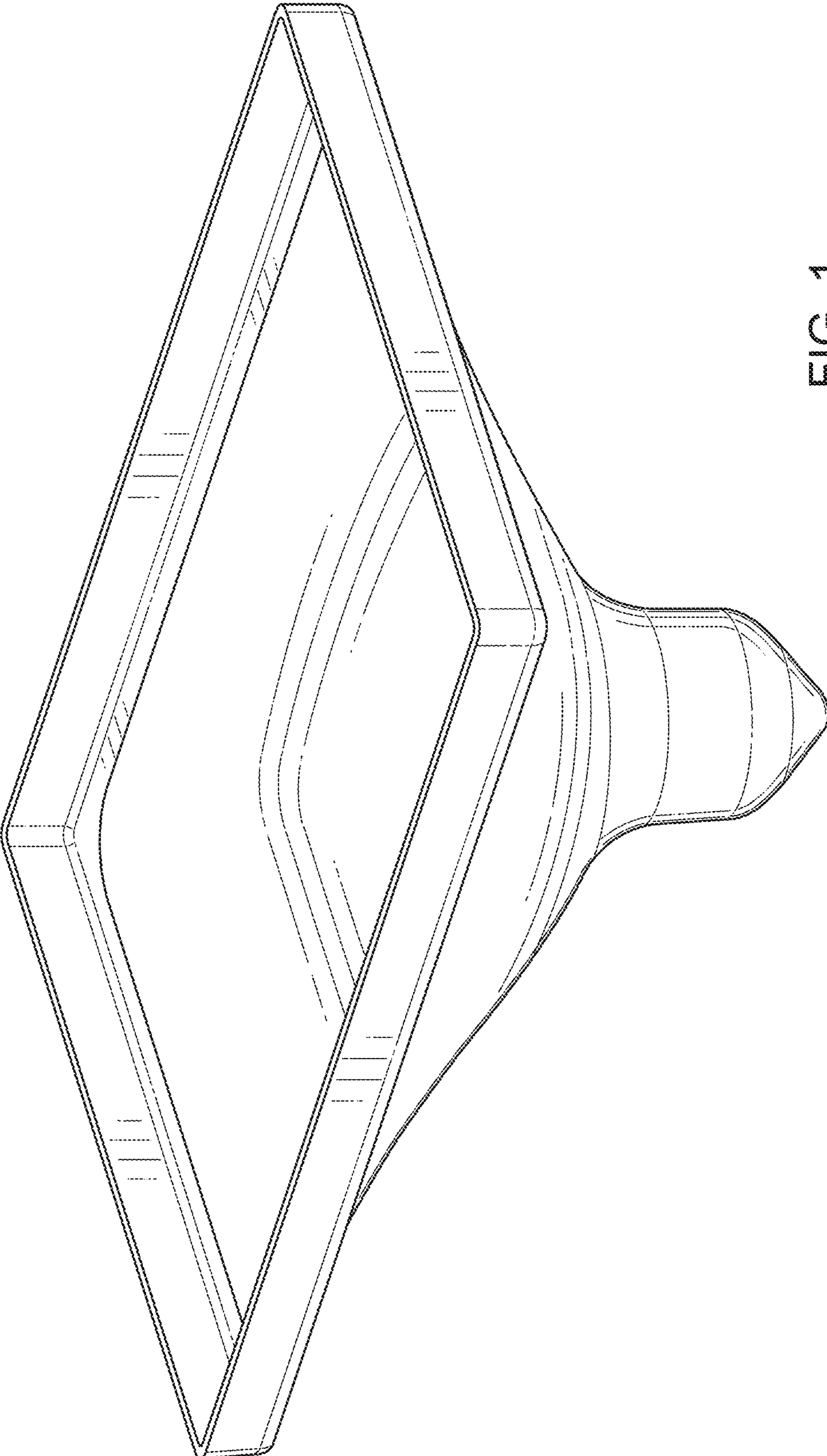


FIG. 1

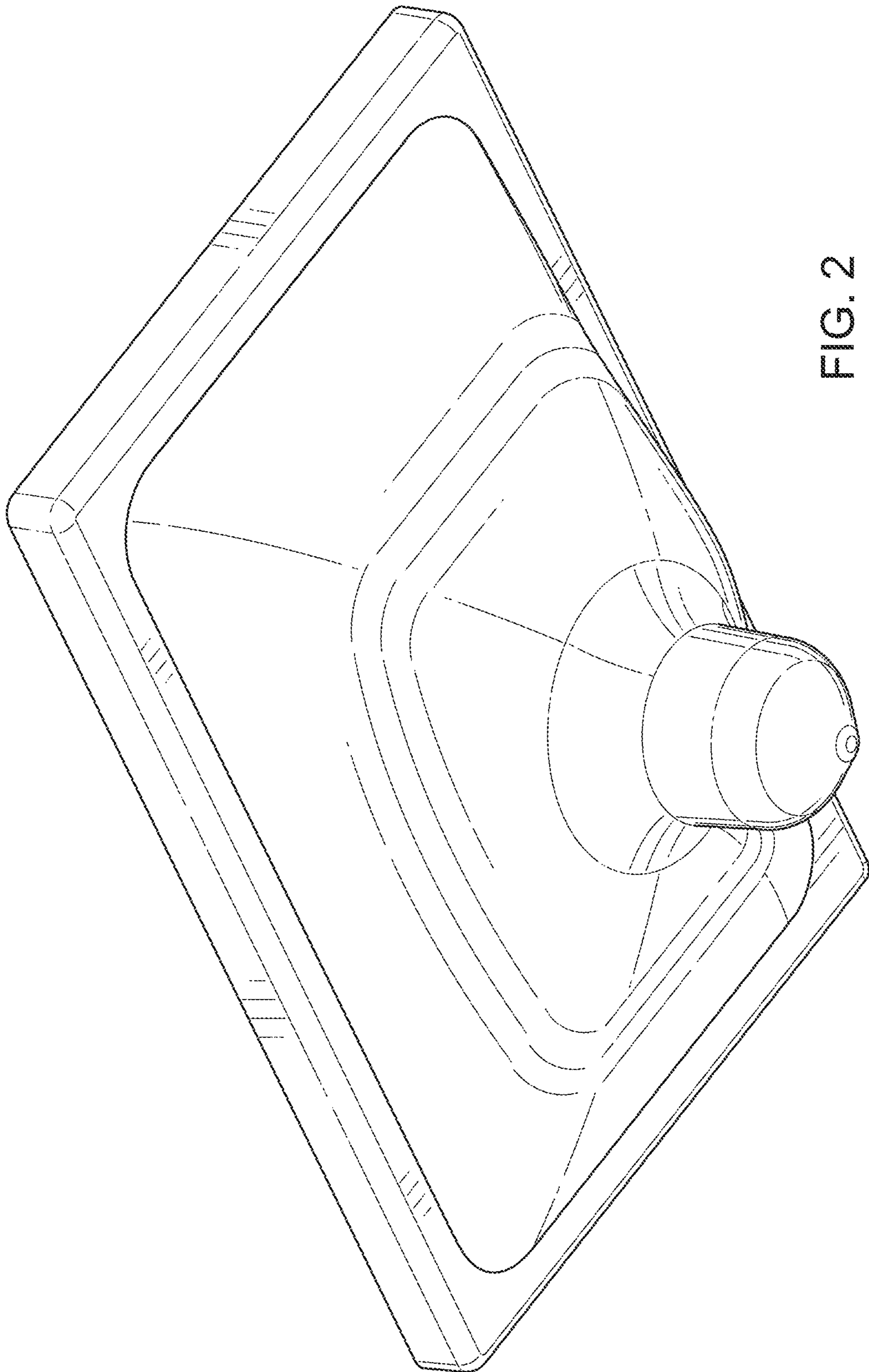


FIG. 2

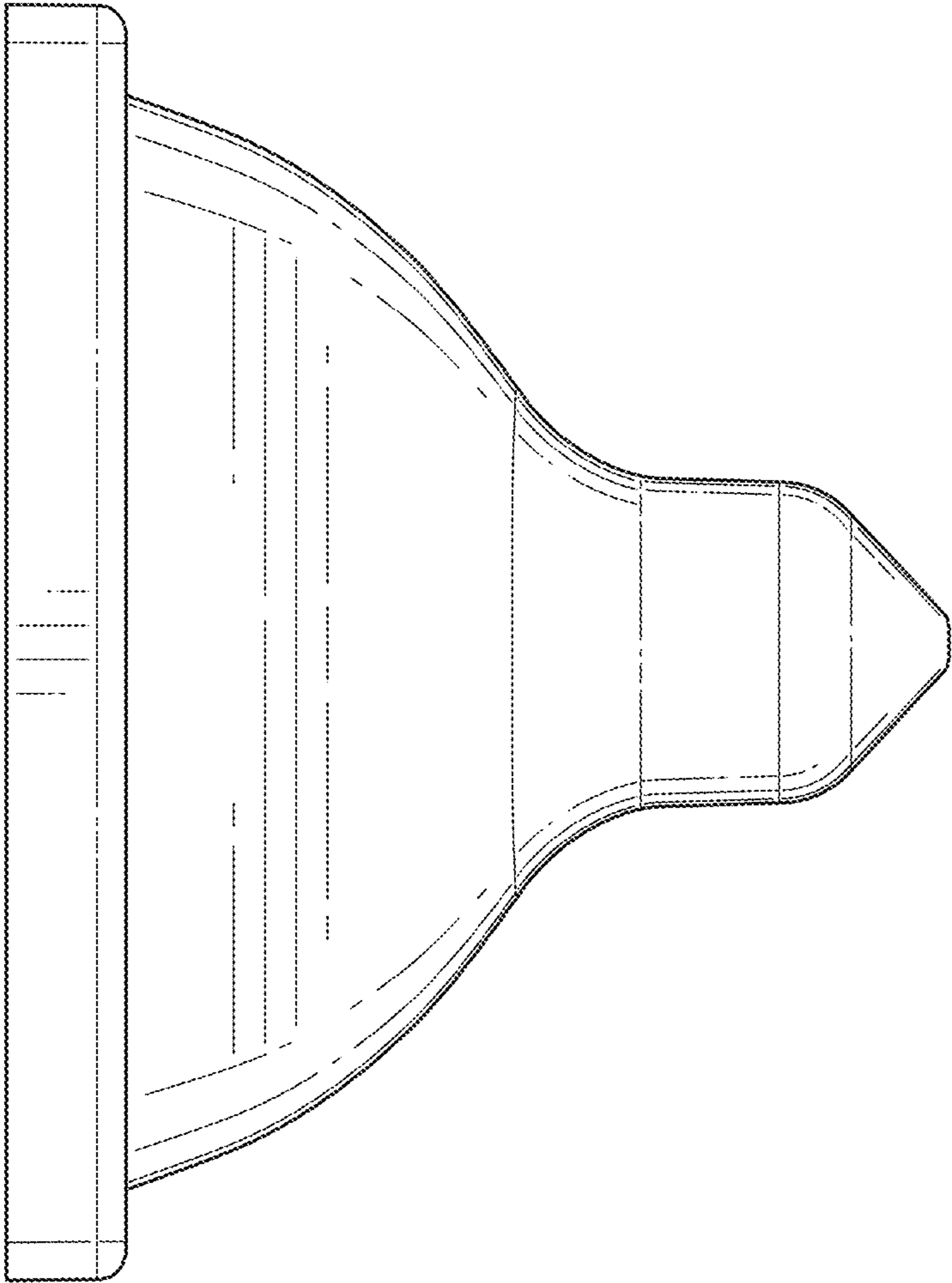


FIG. 3

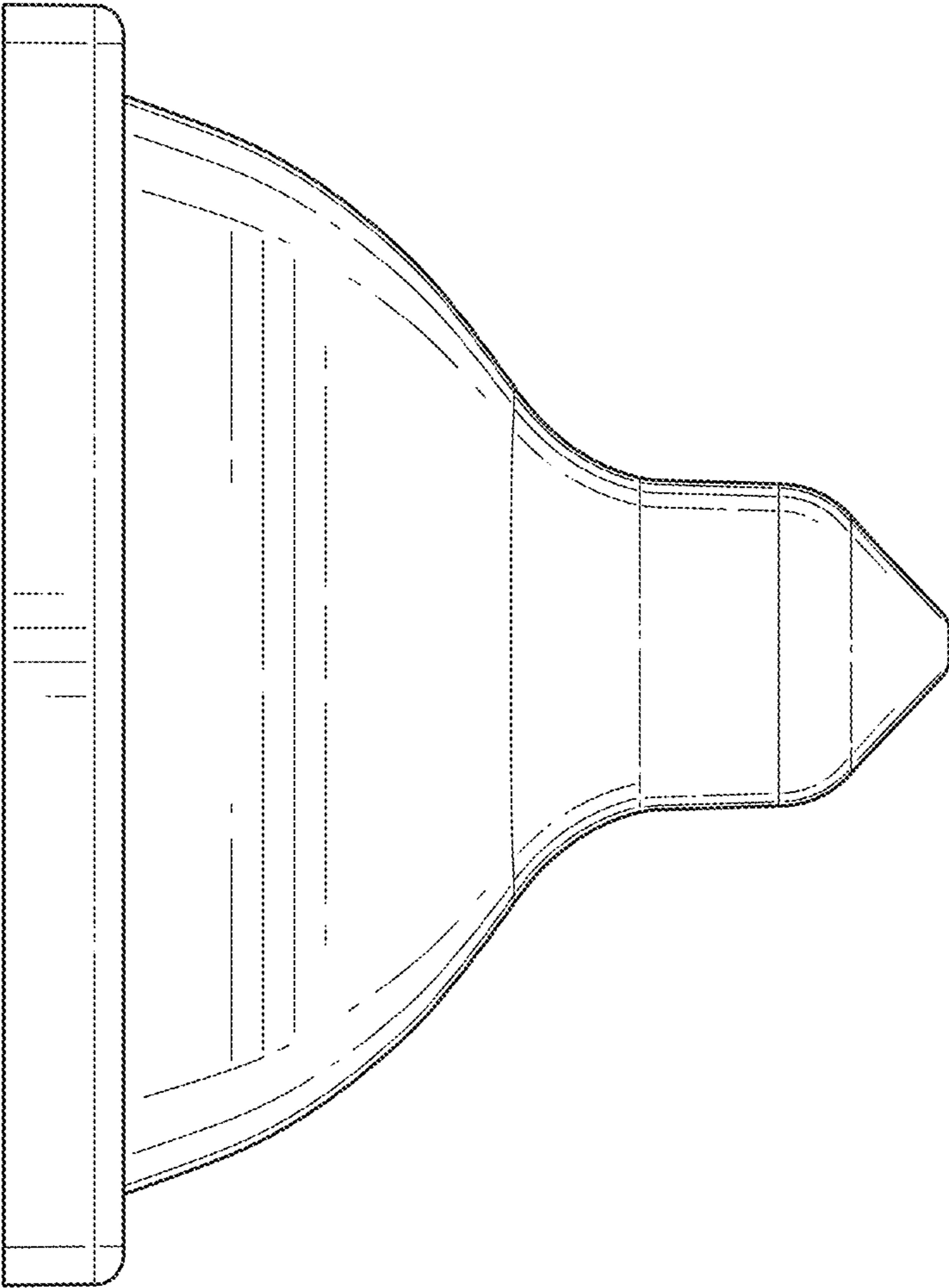


FIG. 4

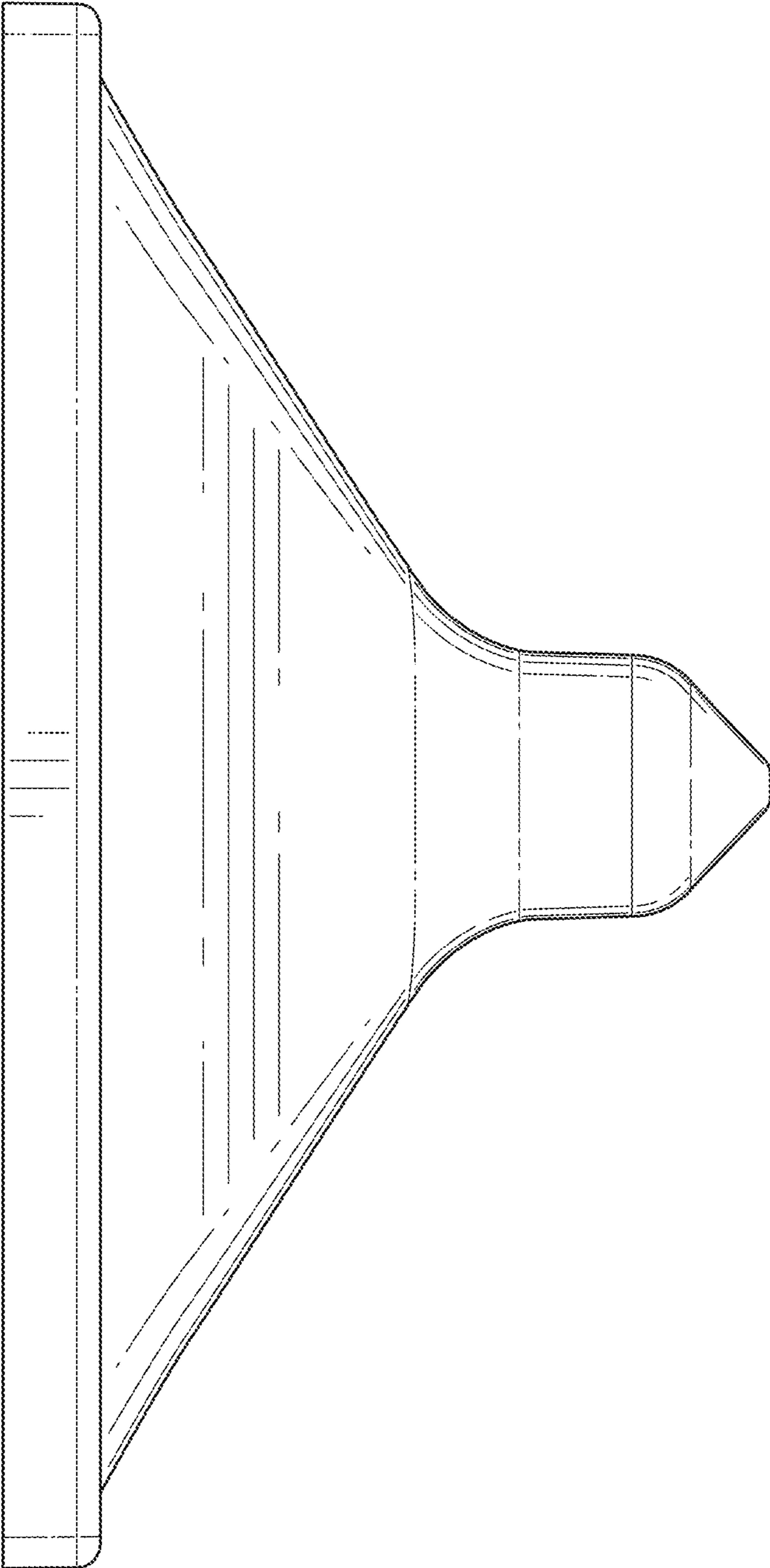


FIG. 5

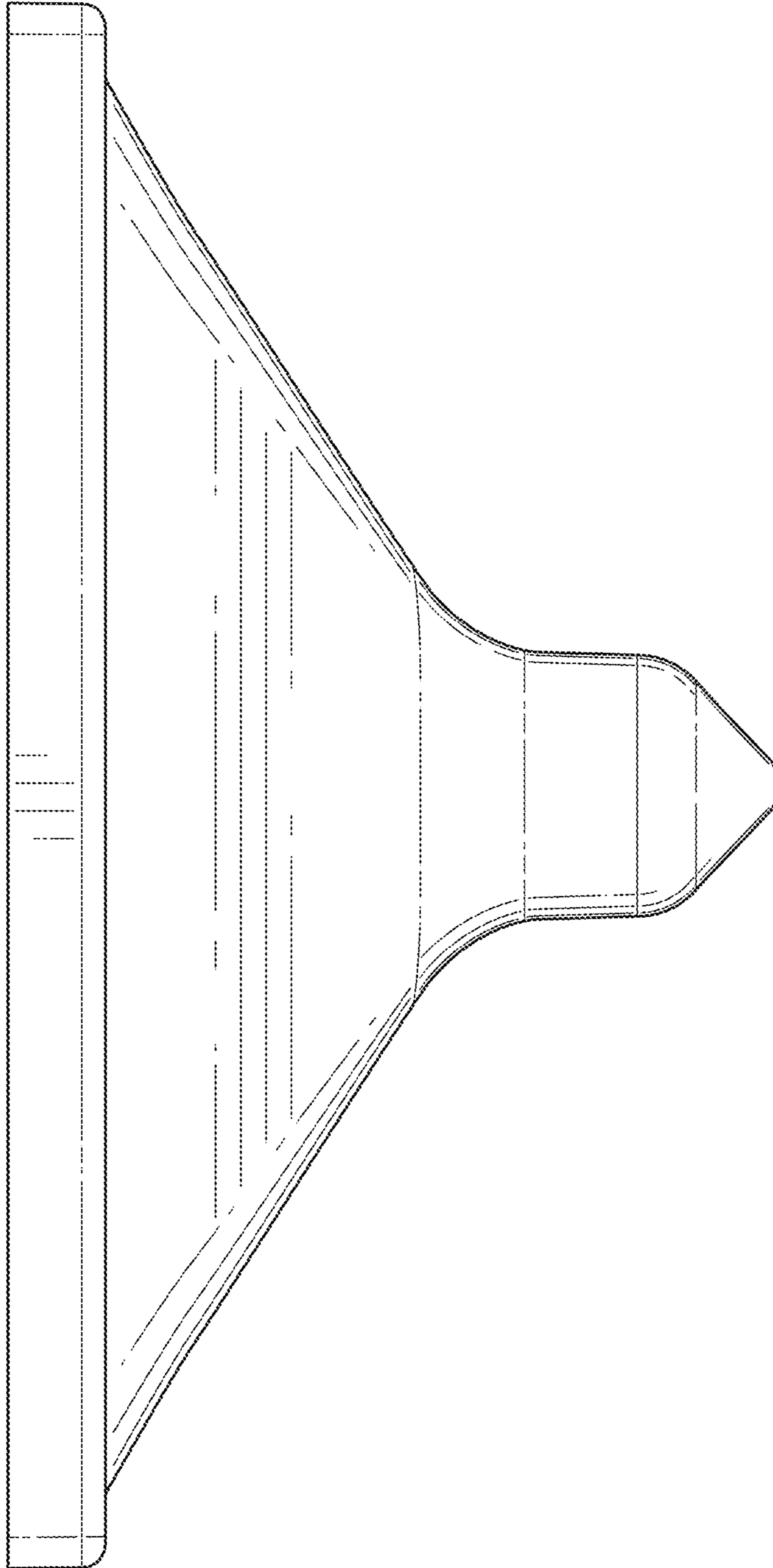


FIG. 6

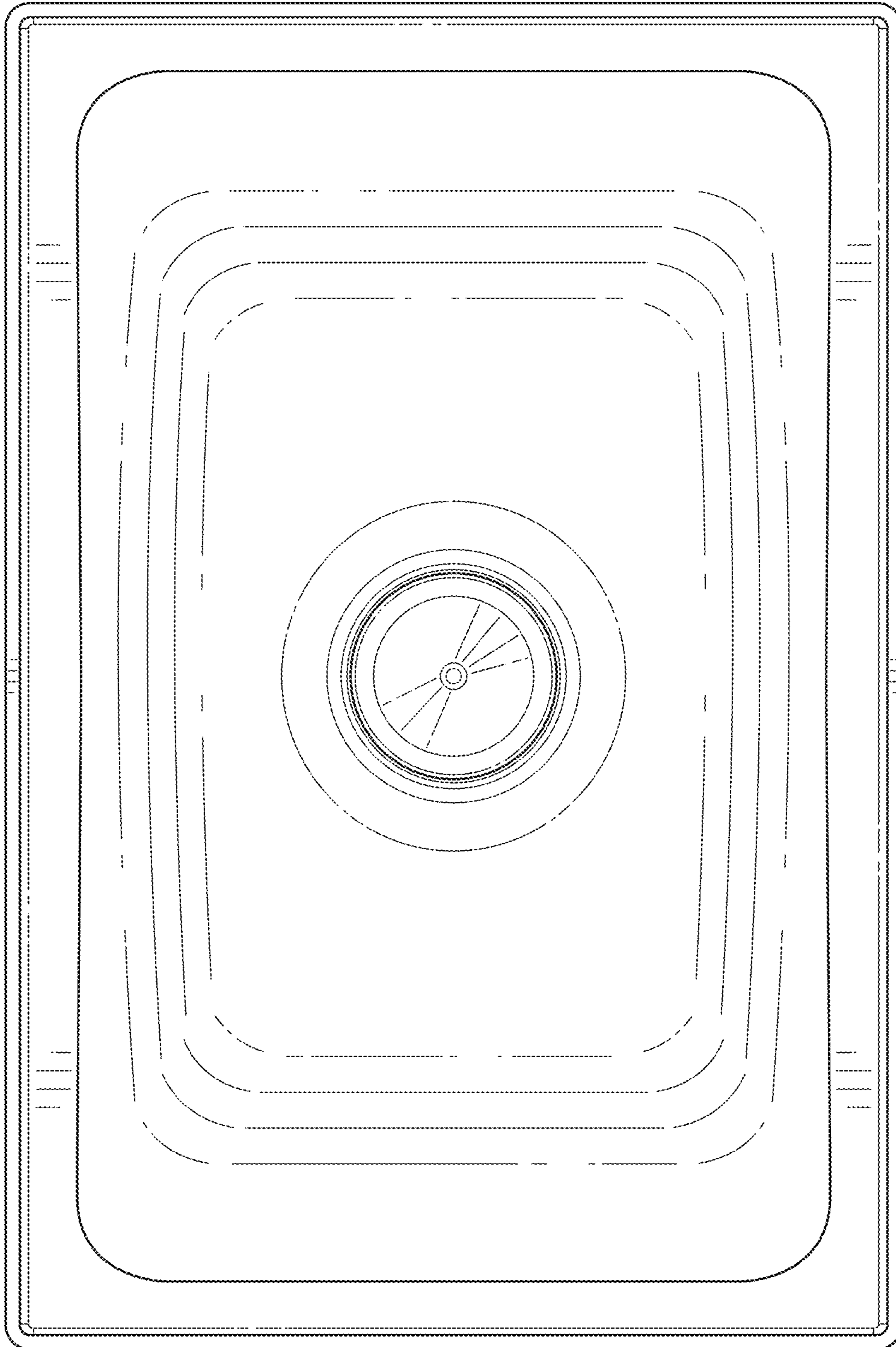


FIG. 7

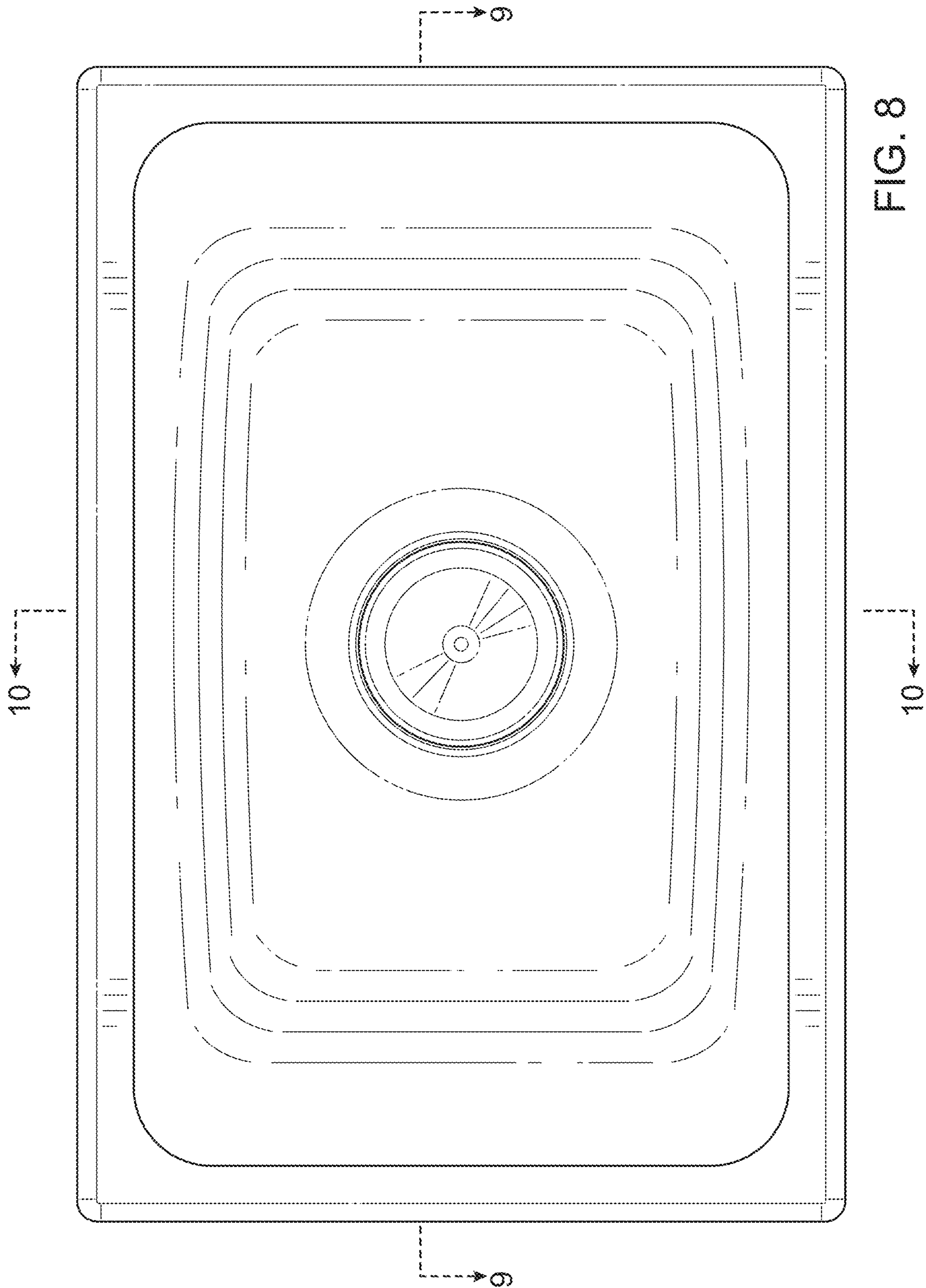


FIG. 8

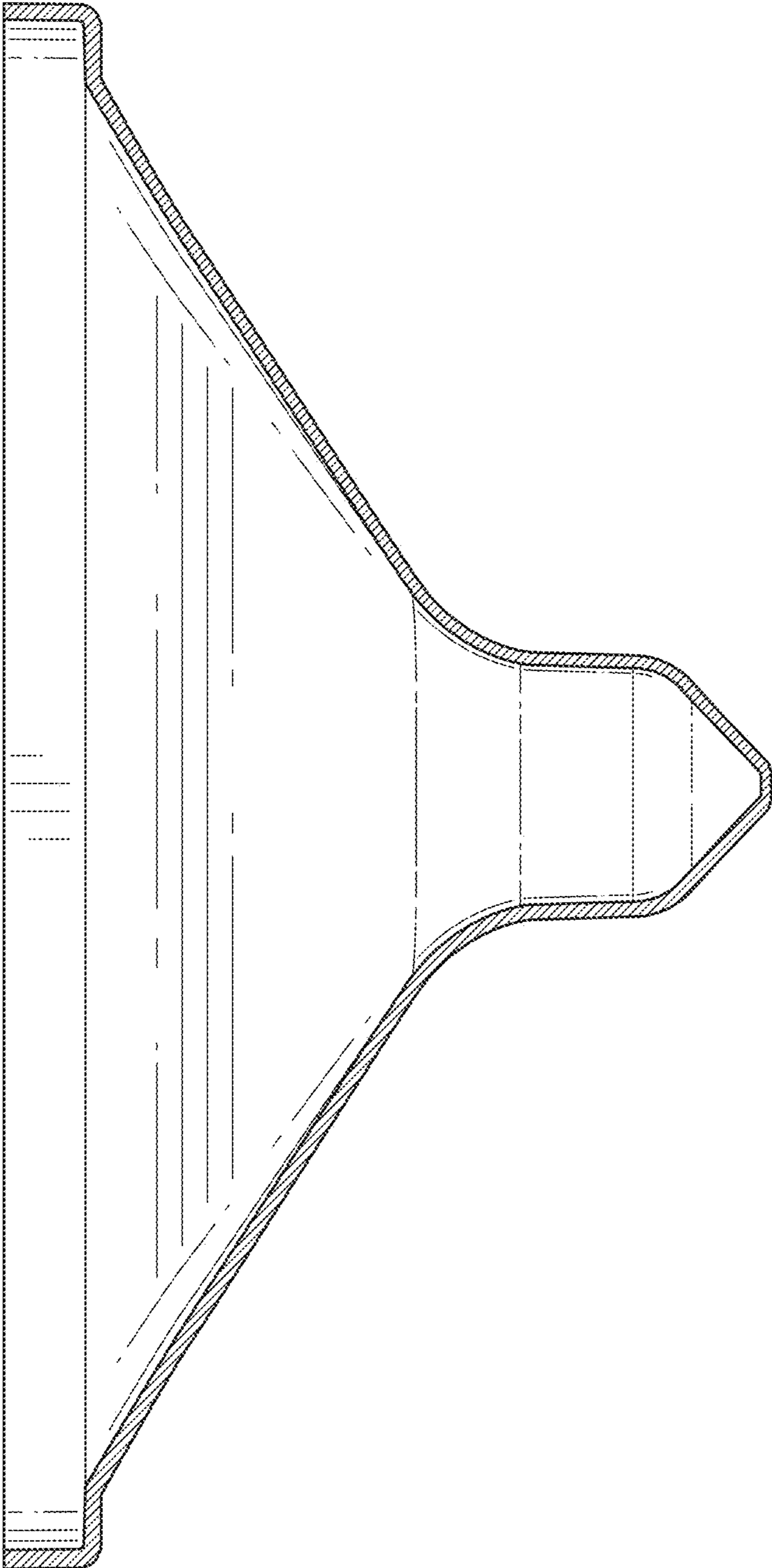


FIG. 9

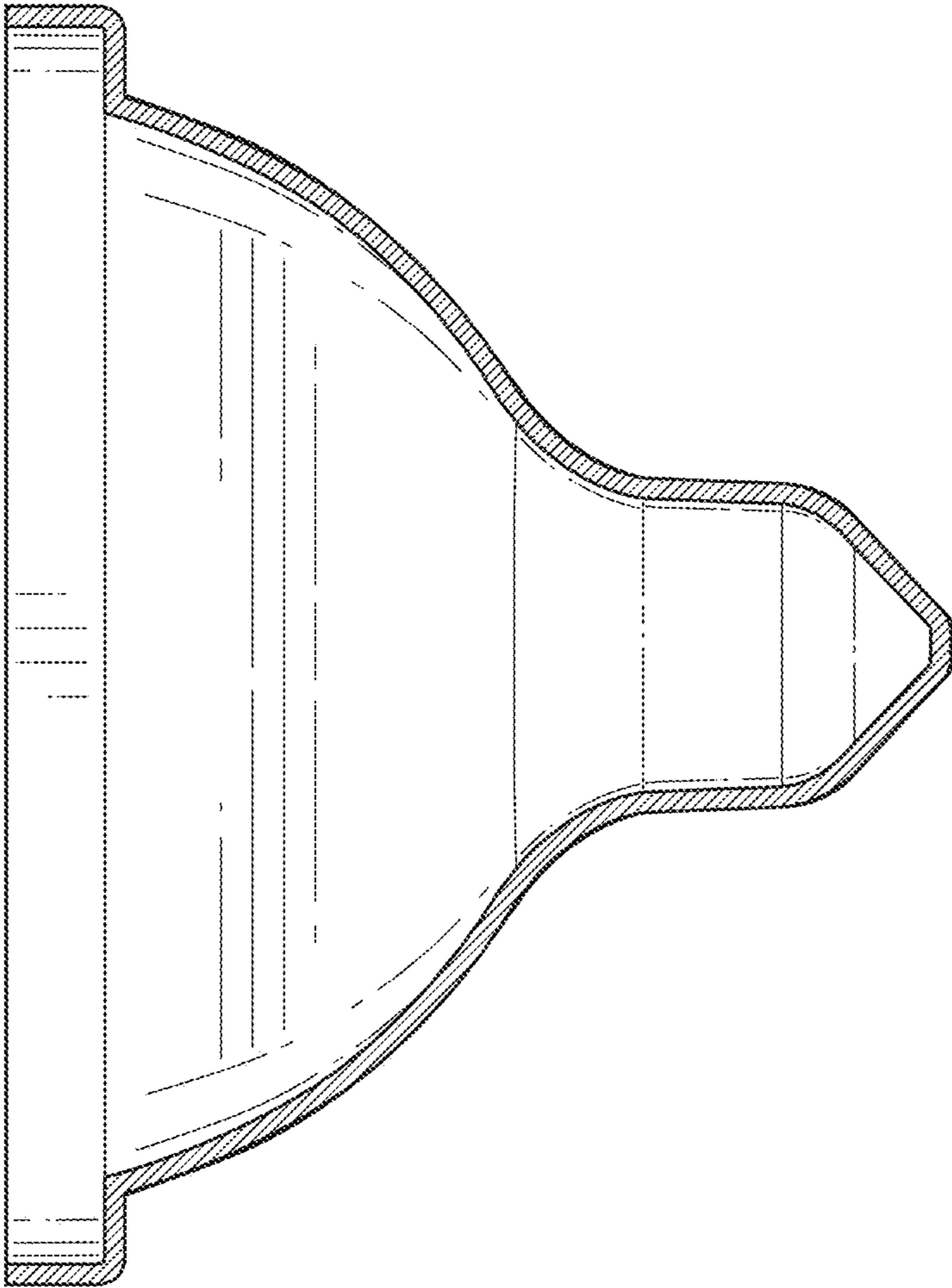


FIG. 10