



US00D954991S

(12) **United States Design Patent** (10) **Patent No.:** **US D954,991 S**  
**Hintikka** (45) **Date of Patent:** **\*\* Jun. 14, 2022**

(54) **PIPETTE STAND**

FOREIGN PATENT DOCUMENTS

(71) Applicant: **Sartorius Biohit Liquid Handling Oy**,  
Helsinki (FI)

CN 201930734431.4 \* 5/2020

(72) Inventor: **Ville Hintikka**, Espoo (FI)

OTHER PUBLICATIONS

(73) Assignee: **Sartorius Biohit Liquid Handling Oy**

Reference 2 Pipette Holder for Carousel Stand (Eppendorf). Online, published date unknown. Retrieved on Aug. 4, 2021 from URL: <https://www.pipettesupplies.com/product/reference-2-pipette-holder-for-carousel-stand-eppendorf/>.\*

(\*\*) Term: **15 Years**

Universal pipette stands, made of rigid PVC. Online, published date unknown. Retrieved on Aug. 4, 2021 from URL: <https://koehler-technik.de/en/laboratory-field/acrylic-products/pipette-stand/universal-pipette-stands-made-of-rigid-pvc>.\*

(21) Appl. No.: **29/728,553**

(22) Filed: **Mar. 19, 2020**

\* cited by examiner

(30) **Foreign Application Priority Data**

Nov. 26, 2019 (EM) ..... 007298633-0001

*Primary Examiner* — Omeed Agilee

(51) **LOC (13) Cl.** ..... **24-02**

(74) *Attorney, Agent, or Firm* — Jeffrey Joyce, Esq.

(52) **U.S. Cl.**

USPC ..... **D24/227**; D24/222

(58) **Field of Classification Search**

USPC ..... D24/107, 108, 121, 133, 216, 222–230,  
D24/232, 233; D21/664, 668, 673, 674,  
D21/679; D14/240, 242

CPC ..... B01F 13/0025; B01J 2219/00292; B01J  
2220/64; B01L 3/14; B01L 3/021; B01L  
3/508; B01L 3/52–523

See application file for complete search history.

(57) **CLAIM**

The ornamental design for a pipette stand, as shown and described.

**DESCRIPTION**

FIG. 1 is a front, top, and left perspective view of a pipette stand according to the invention.

FIG. 2 is a rear, bottom, and right perspective view of the pipette stand.

FIG. 3 is a front view of the pipette stand.

FIG. 4 is a left side view of the pipette stand.

FIG. 5 is a rear view of the pipette stand.

FIG. 6 is a right side view of the pipette stand.

FIG. 7 is a top view of the pipette stand; and,

FIG. 8 is a bottom view of the pipette stand.

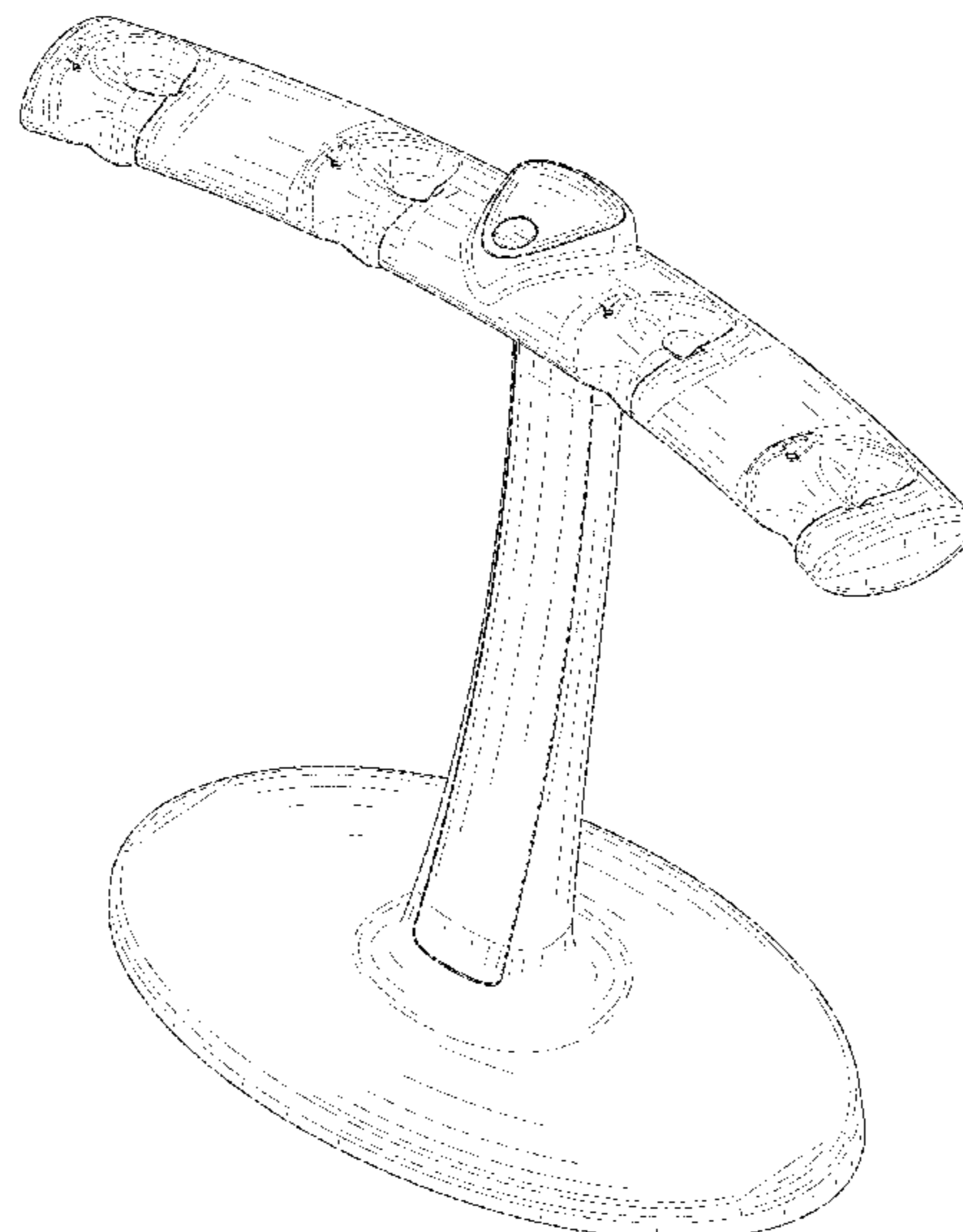
The broken lines in the drawings depict portions of the pipette stand that form no part of the claimed design.

(56) **References Cited**

U.S. PATENT DOCUMENTS

D524,448 S \* 7/2006 Telimaa ..... D24/227  
D690,027 S \* 9/2013 Motadel ..... D24/227  
D737,445 S \* 8/2015 Yugari ..... D24/155  
D839,066 S \* 1/2019 Bast ..... D8/14  
D850,727 S \* 6/2019 Petruccelli ..... D28/73  
D872,300 S \* 1/2020 Demsia ..... D24/227  
D883,480 S \* 5/2020 Leibowitz ..... D24/133  
D917,717 S \* 4/2021 Doebele ..... D24/222  
2013/0280143 A1 \* 10/2013 Zucchelli ..... G01N 35/0099  
422/501

**1 Claim, 7 Drawing Sheets**



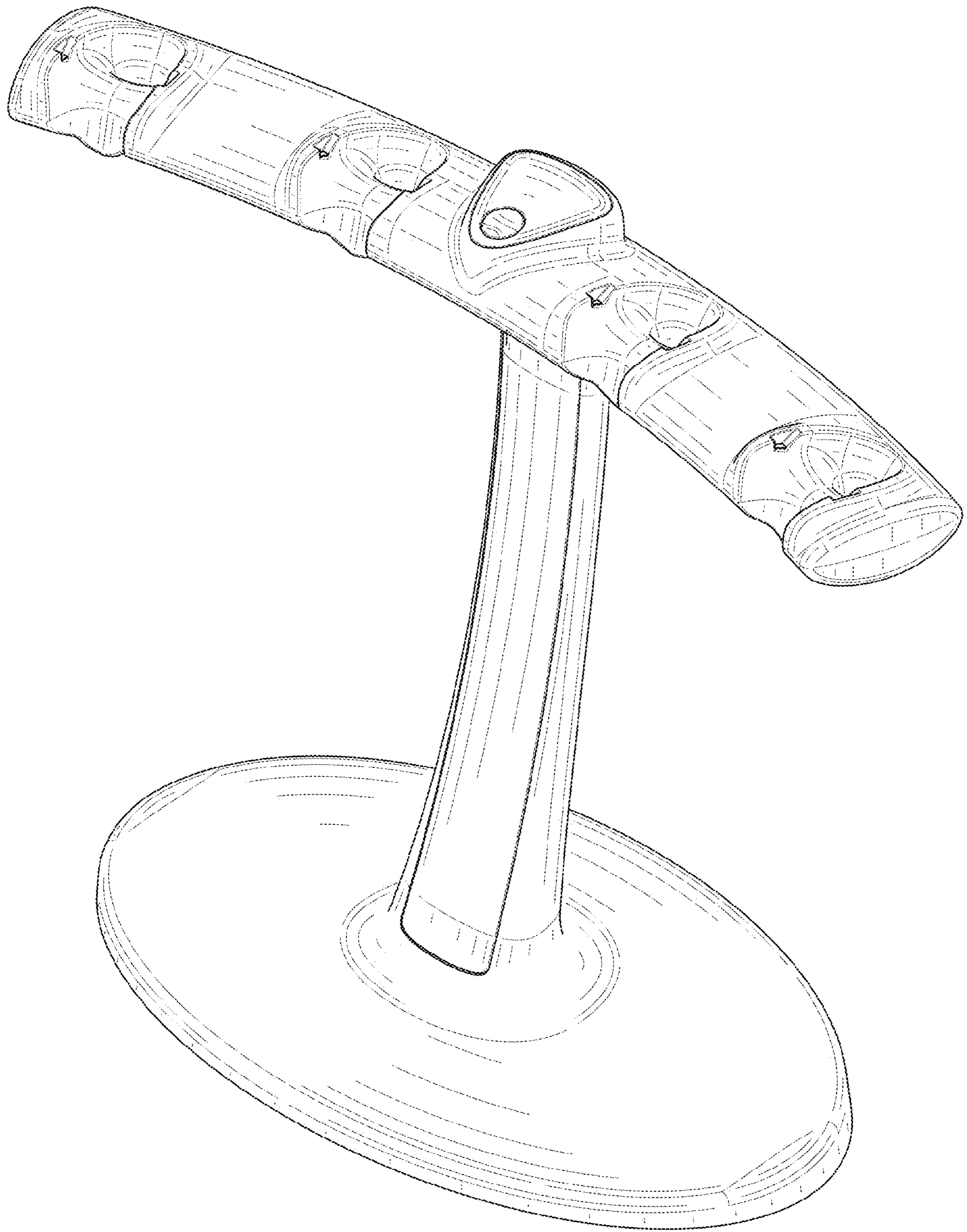


FIG. 1

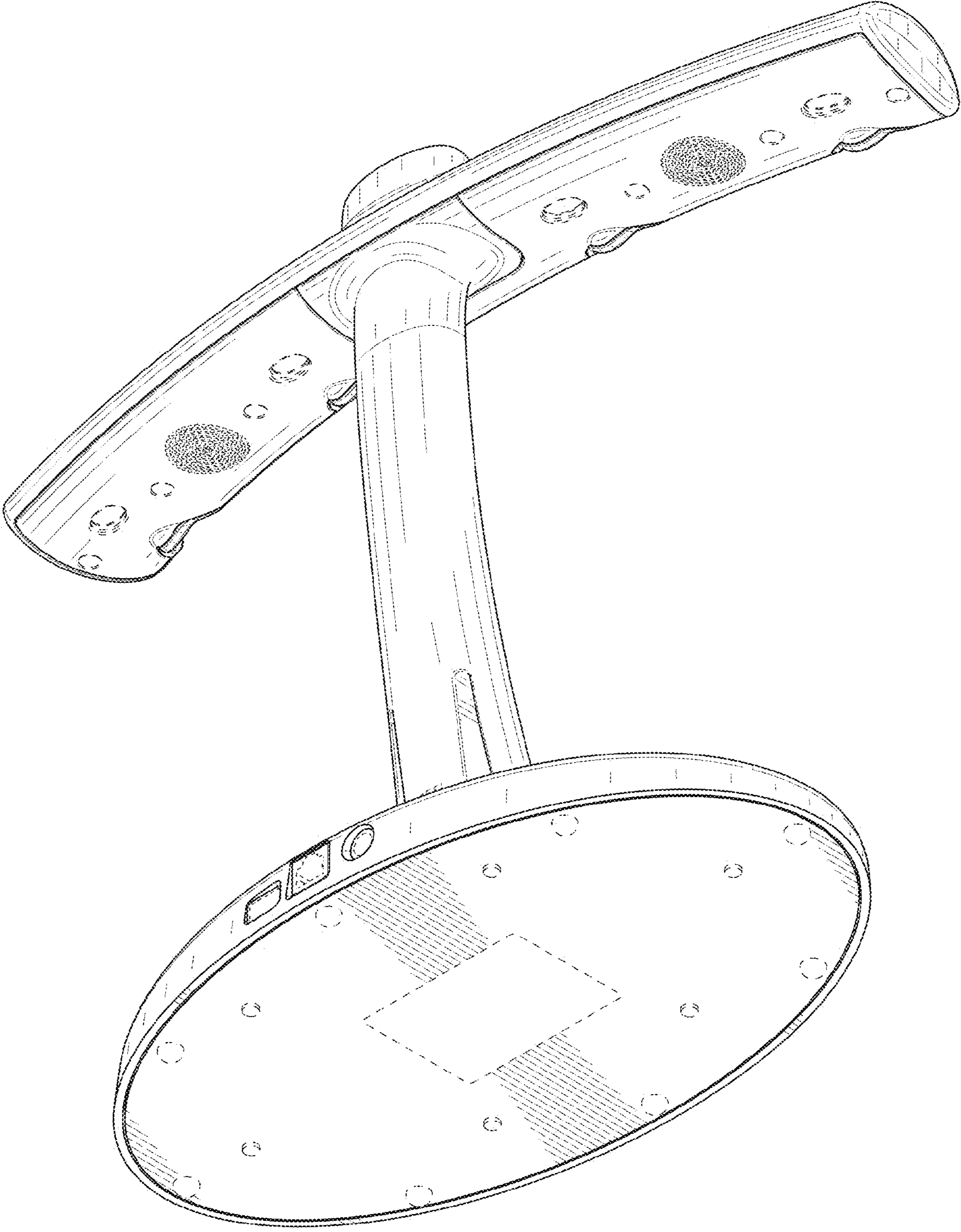


FIG. 2

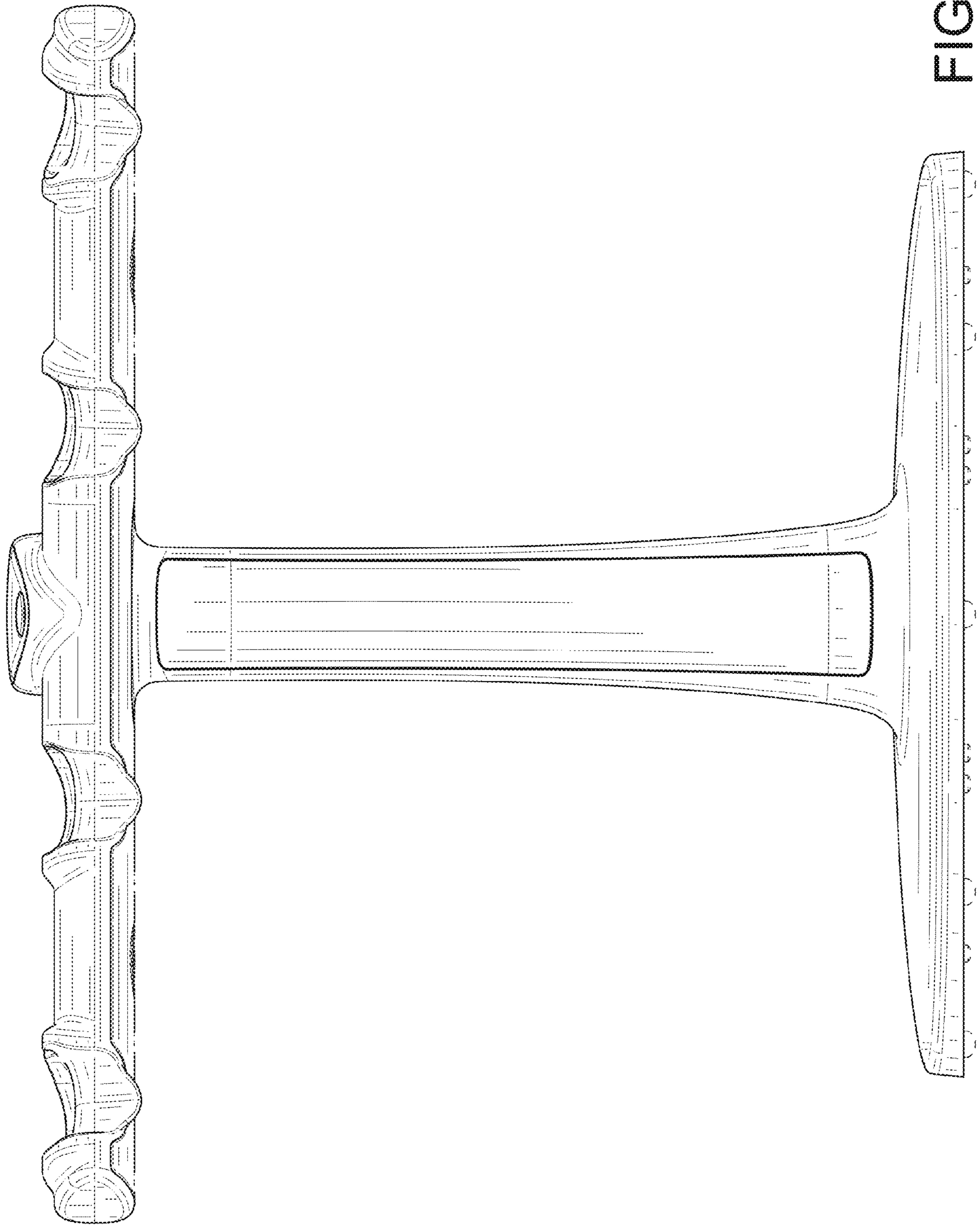


FIG. 3

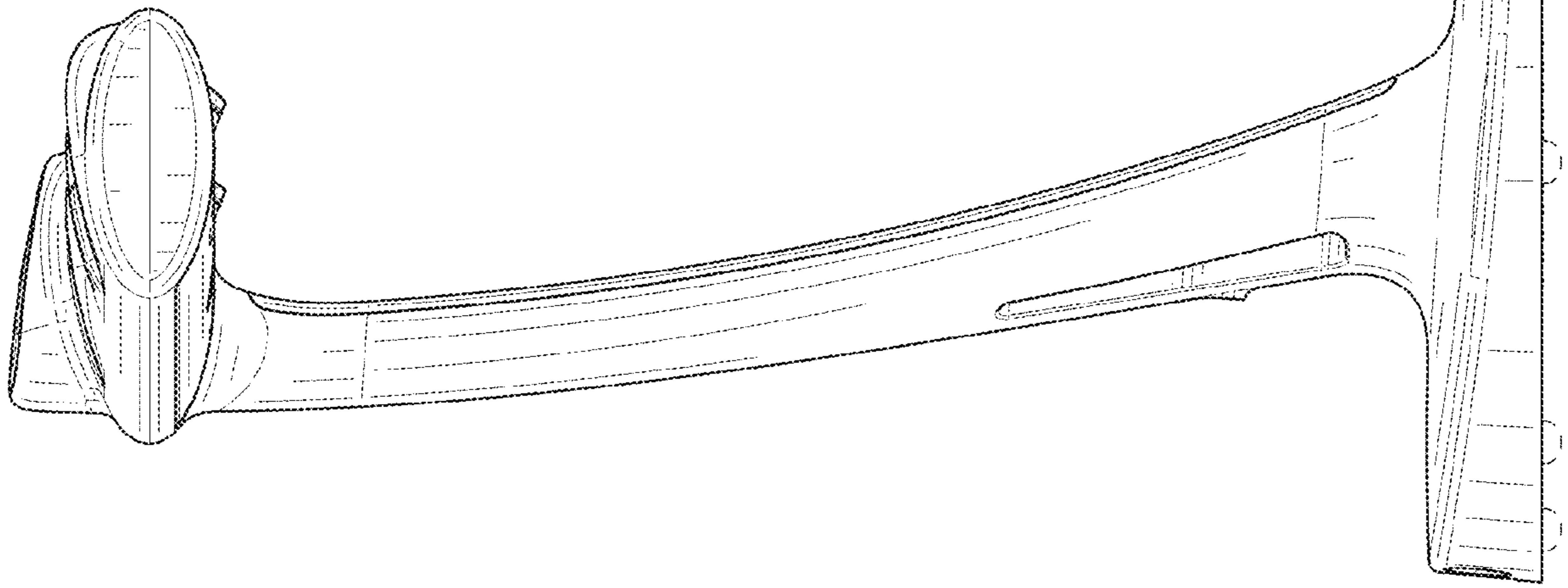


FIG. 6

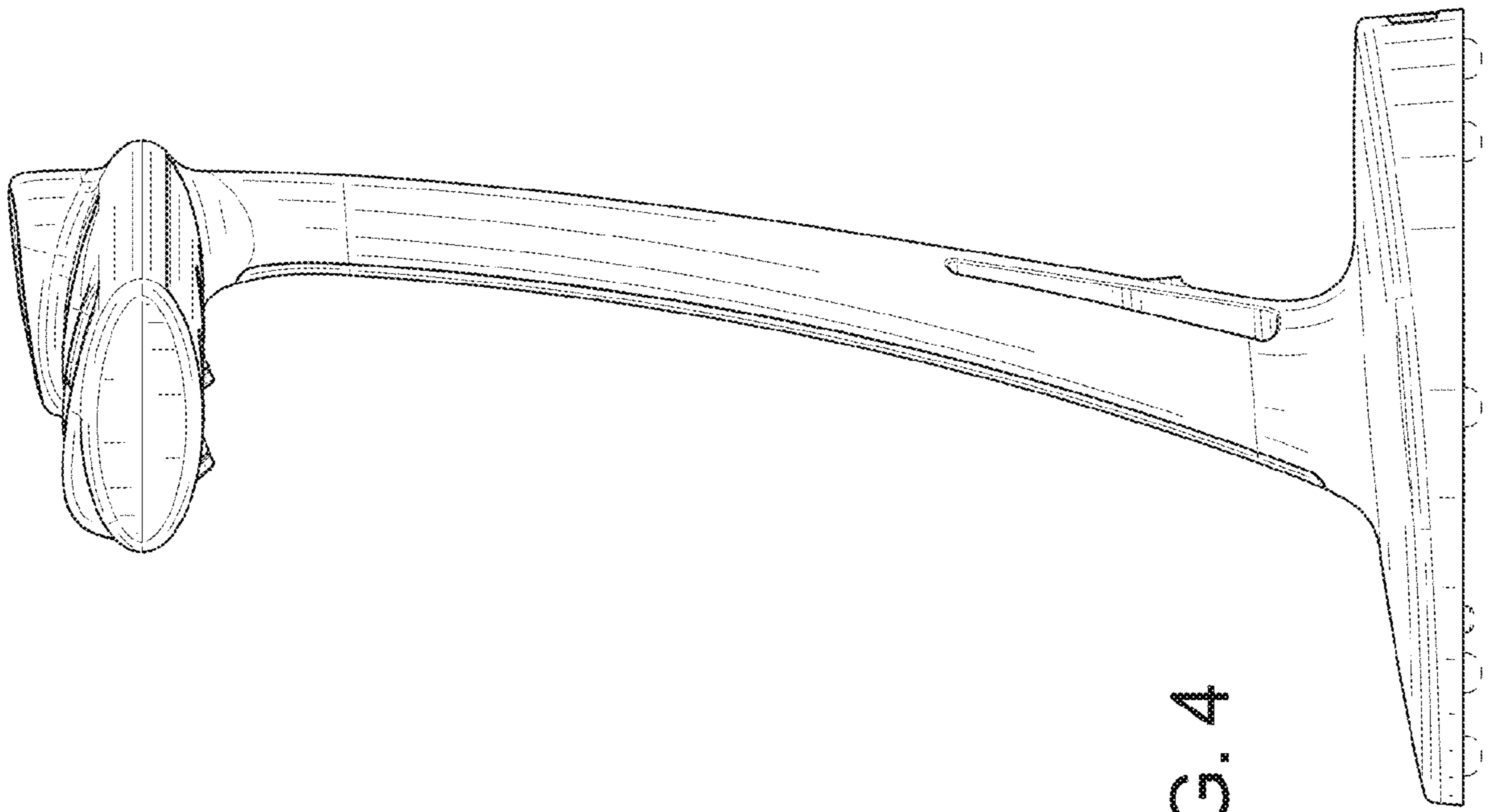


FIG. 4

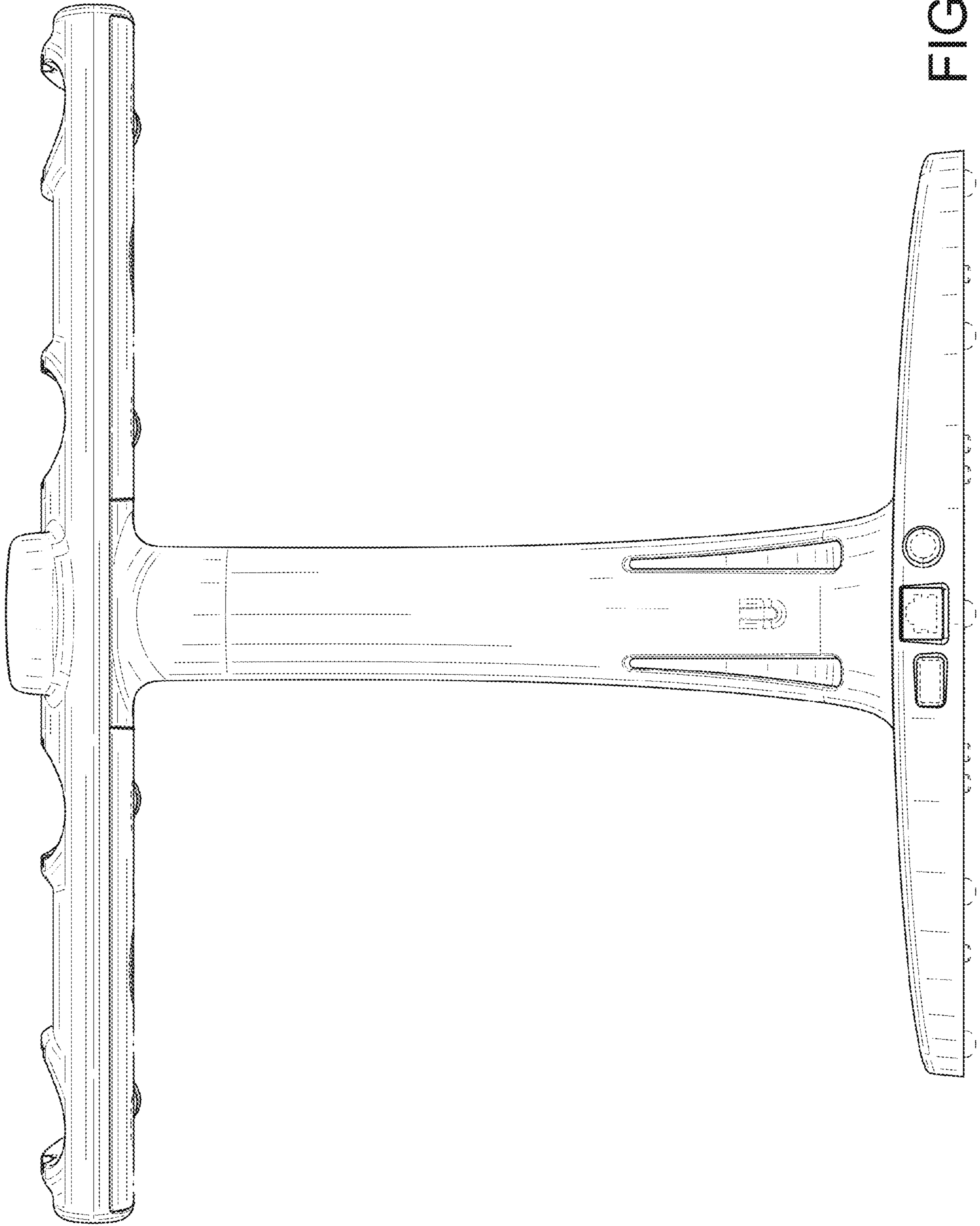


FIG. 5

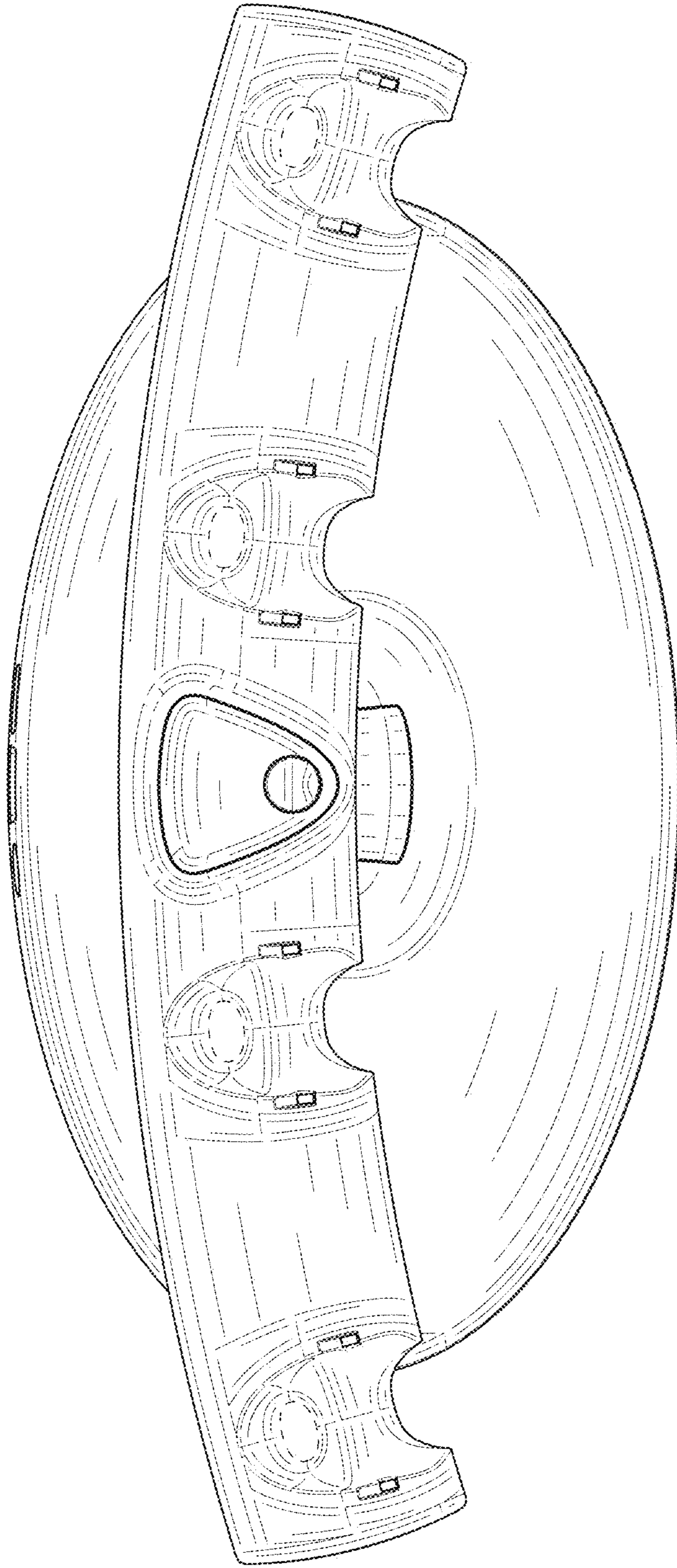


FIG. 7

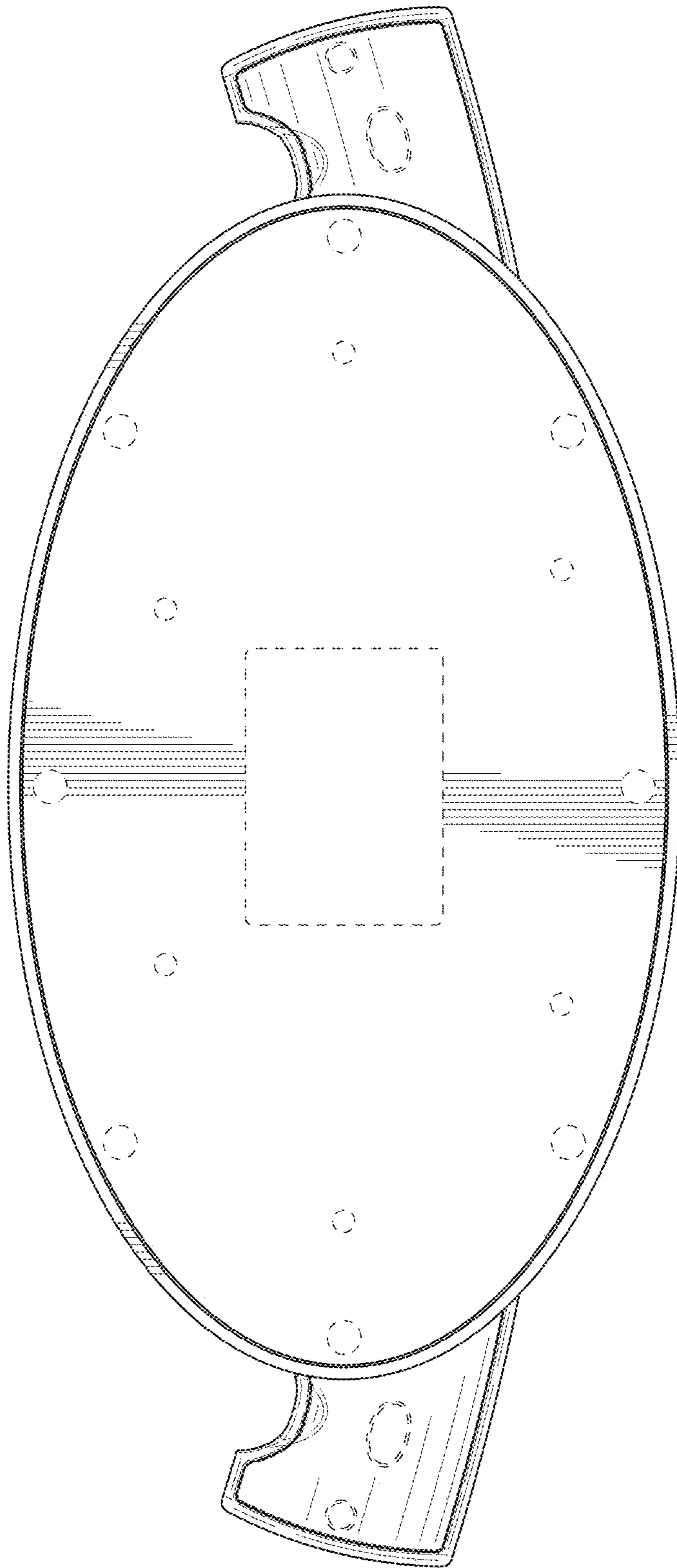


FIG. 8