



US00D954988S

(12) **United States Design Patent** (10) **Patent No.:** **US D954,988 S**  
**Borowicz et al.** (45) **Date of Patent:** **\*\* Jun. 14, 2022**

(54) **STAND FOR A HANDHELD PIPETTOR**

9,858,729 B2 1/2018 Keller et al.  
 D868,287 S \* 11/2019 Frampton ..... D24/229  
 D879,318 S \* 3/2020 Sanchez ..... D24/222

(71) Applicant: **CORNING INCORPORATED**,  
Corning, NY (US)

(Continued)

(72) Inventors: **Karolina Borowicz**, Slupno (PL);  
**Tomasz Marcin Polaski**, Warsaw (PL);  
**Agnieszka Topolewska**, Marki (PL)

FOREIGN PATENT DOCUMENTS

CN 201230106580 \* 4/2012  
 EP 0864364 A2 9/1998

(Continued)

(73) Assignee: **Corning Incorporated**, Corning, NY  
(US)

OTHER PUBLICATIONS

(\*\*) Term: **15 Years**

SCIOLOGEX Levo Plus Motorized Pipette Filler, 74020002. Online,  
 published date unknown. Retrieved on Dec. 28, 2020 from URL:  
[https://www.globalindustrial.com/p/medical-lab/laboratory-equipment/le-liquid-handling-products/plus-motorized-pipette-filler-74020002?infoParam.campaignId=T9F&gclid=EAlalQobChMiff\\_4\\_x7QIV-opa.\\*](https://www.globalindustrial.com/p/medical-lab/laboratory-equipment/le-liquid-handling-products/plus-motorized-pipette-filler-74020002?infoParam.campaignId=T9F&gclid=EAlalQobChMiff_4_x7QIV-opa.*)

(21) Appl. No.: **29/694,339**

(22) Filed: **Jun. 10, 2019**

(51) **LOC (13) Cl.** ..... **24-02**

(52) **U.S. Cl.**  
USPC ..... **D24/227; D24/222**

(58) **Field of Classification Search**  
USPC ..... D24/216, 222–226, 231, 232, 227;  
D19/69

CPC ..... B65D 25/108; B01L 9/543; B01L 3/0217;  
B01L 3/0279

See application file for complete search history.

(Continued)

*Primary Examiner* — Omeed Agilee

(74) *Attorney, Agent, or Firm* — F. Brock Riggs

(57) **CLAIM**

The ornamental design for a stand for a handheld pipettor, as shown and described.

**DESCRIPTION**

(56) **References Cited**

U.S. PATENT DOCUMENTS

3,244,009 A \* 4/1966 Schwarz, Jr. .... B01L 3/0213  
73/864.14  
3,656,351 A \* 4/1972 Raczak ..... B01L 3/0224  
73/864.18  
D242,729 S \* 12/1976 Kenney ..... D24/222  
5,616,871 A 4/1997 Kenney  
5,961,927 A 10/1999 Isaacs et al.  
D460,193 S \* 7/2002 Schieffer ..... D24/222  
6,734,026 B1 5/2004 Kenney  
D510,629 S \* 10/2005 Piacenza ..... D24/121  
D544,609 S 6/2007 Bluon  
D620,602 S \* 7/2010 Scordato ..... D24/222  
D627,478 S \* 11/2010 Guichardon ..... D24/222  
D807,525 S \* 1/2018 Sanchez ..... D24/222

FIG. 1 is a perspective view of a stand for a handheld pipettor incorporating the design.

FIG. 2 is a front elevation view thereof.

FIG. 3 is a rear elevation view thereof.

FIG. 4 is a left side elevation view thereof.

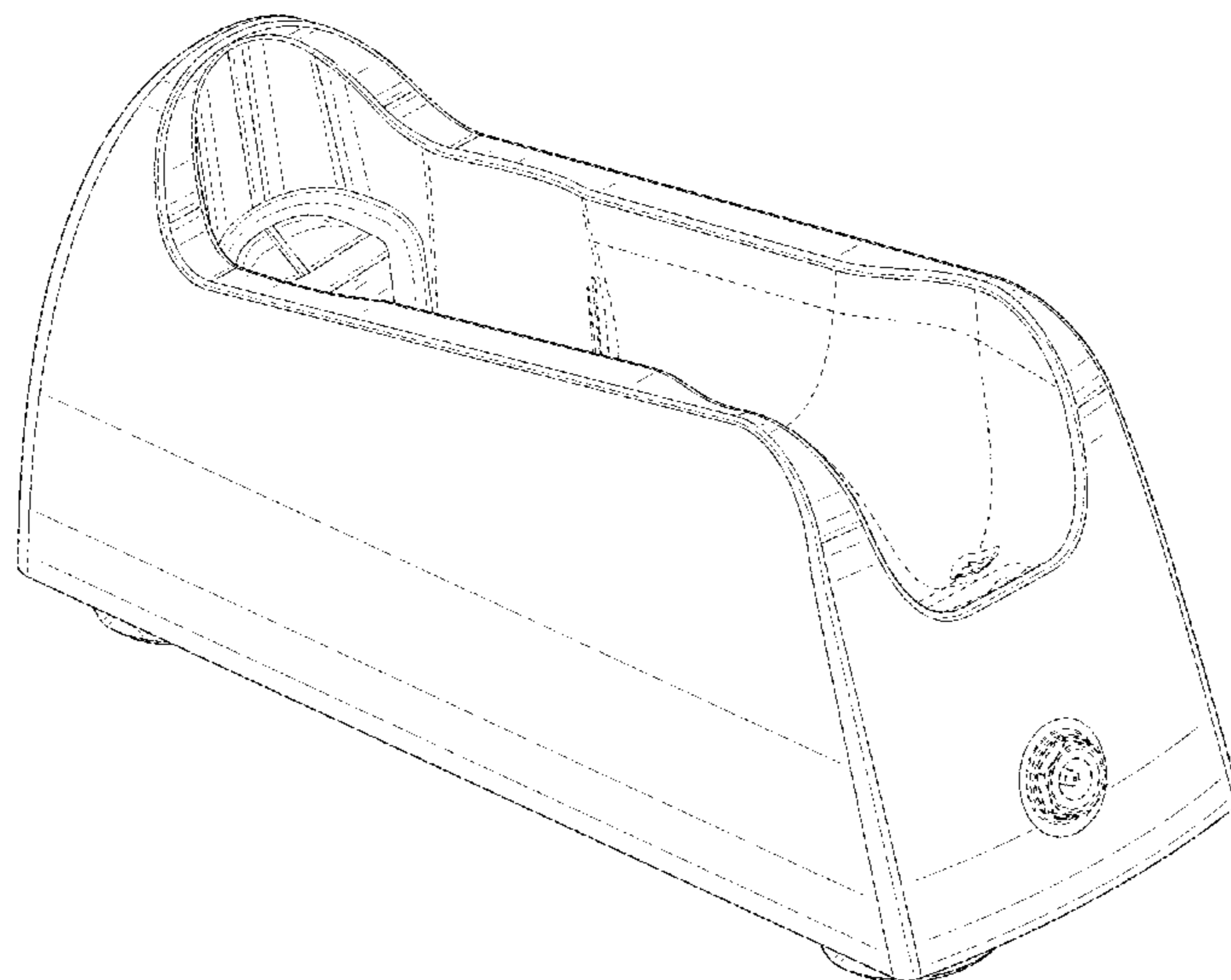
FIG. 5 is a right side elevation view thereof.

FIG. 6 is a top plan view thereof; and,

FIG. 7 is a bottom plan view thereof.

The dot, dash, or broken lines depict boundaries of the claim and form no part thereof. The dash lines depict portions of the stand for a handheld pipettor that form no part of the claimed design.

**1 Claim, 7 Drawing Sheets**



(56)

**References Cited**

U.S. PATENT DOCUMENTS

D908,792 S \* 1/2021 Hernandez ..... D19/69  
2018/0214881 A1 8/2018 Izumo et al.  
2019/0070610 A1\* 3/2019 Haworth ..... B01L 3/0293

FOREIGN PATENT DOCUMENTS

WO 2012/158783 A1 11/2012  
WO 2016030978 A1 3/2016

OTHER PUBLICATIONS

Corning® Stripettor™ Ultra Pipet Controller Equipment. Online, published date unknown. Retrieved on Dec. 28, 2020 from URL: <https://www.corning.com/worldwide/en/products/life-sciences/products/equipment/stripettor-ultra.html>.\*

International Search Report and Written Opinion of the International Searching Authority; PCT/US2020/035516; dated Sep. 14, 2020; 8 Pages; European Patent Office.

\* cited by examiner

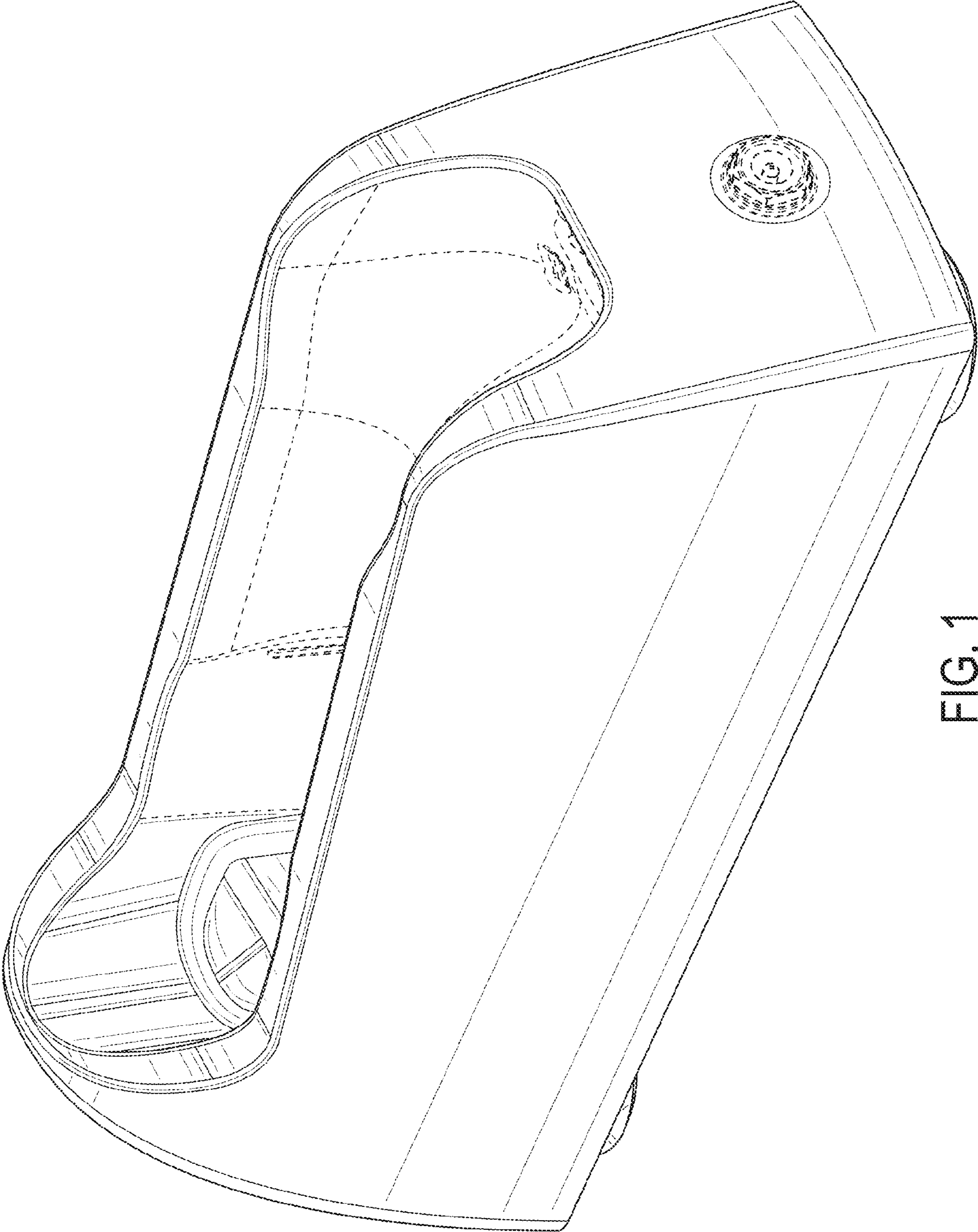


FIG. 1

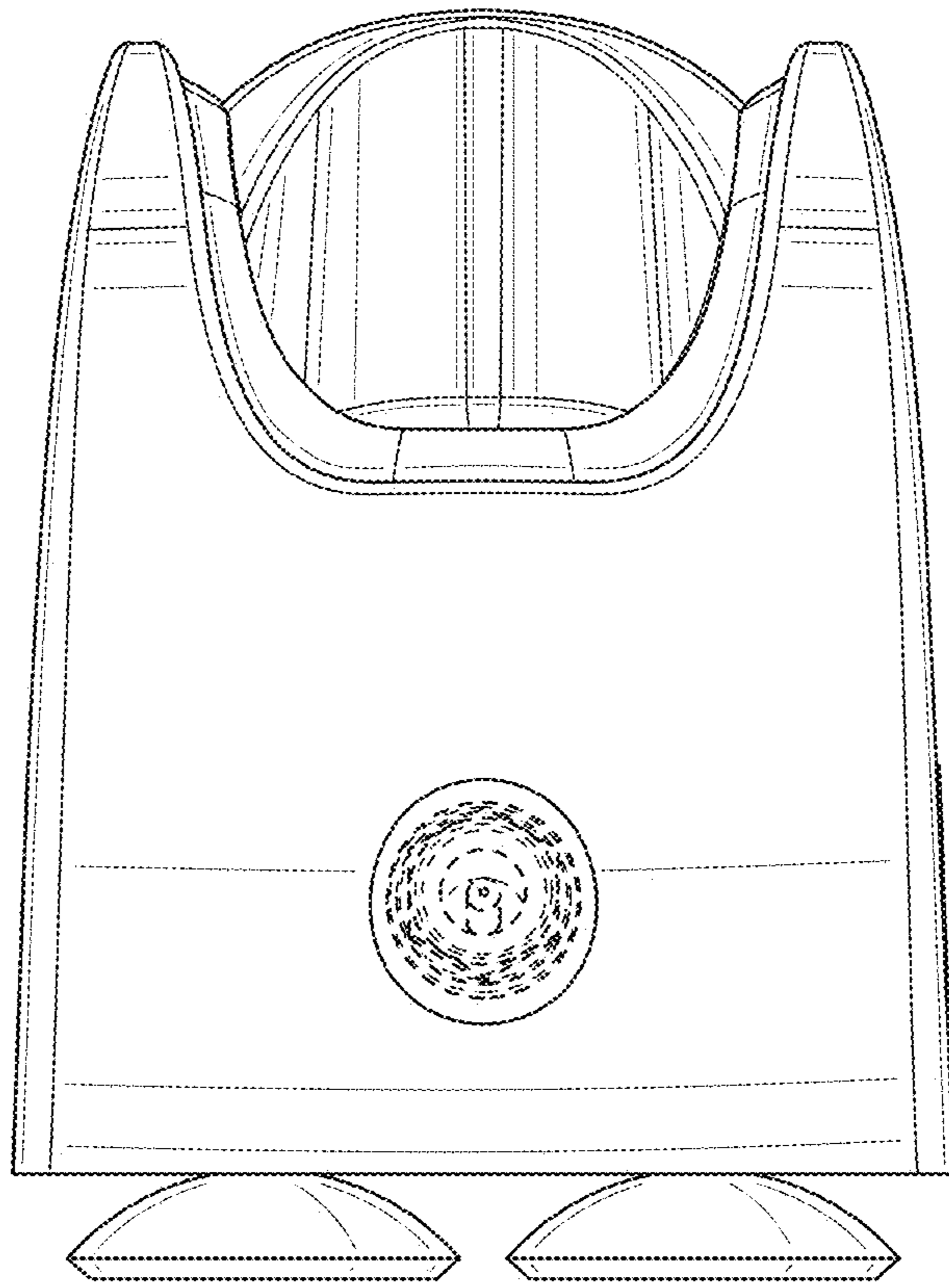


FIG. 2

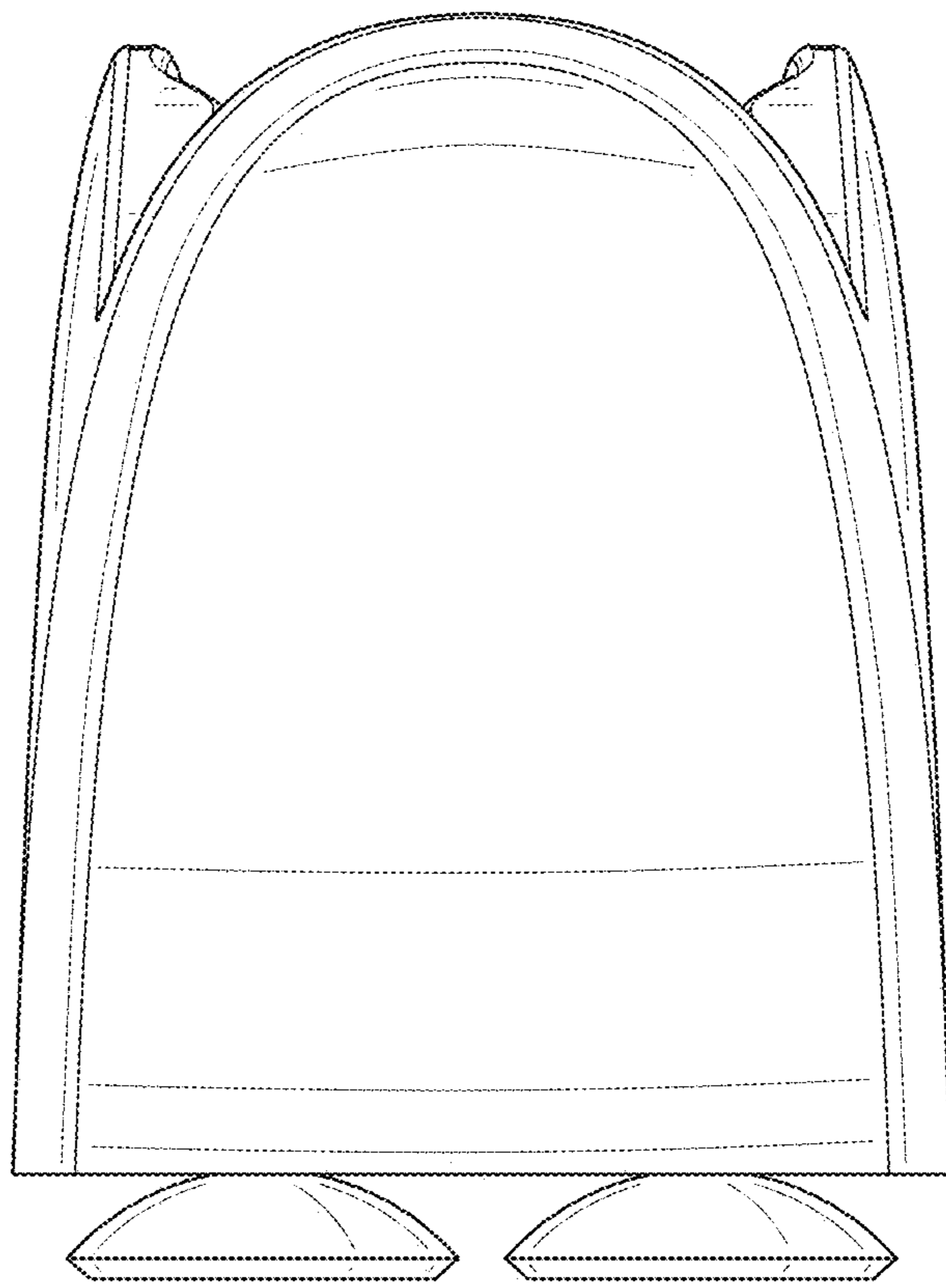


FIG. 3



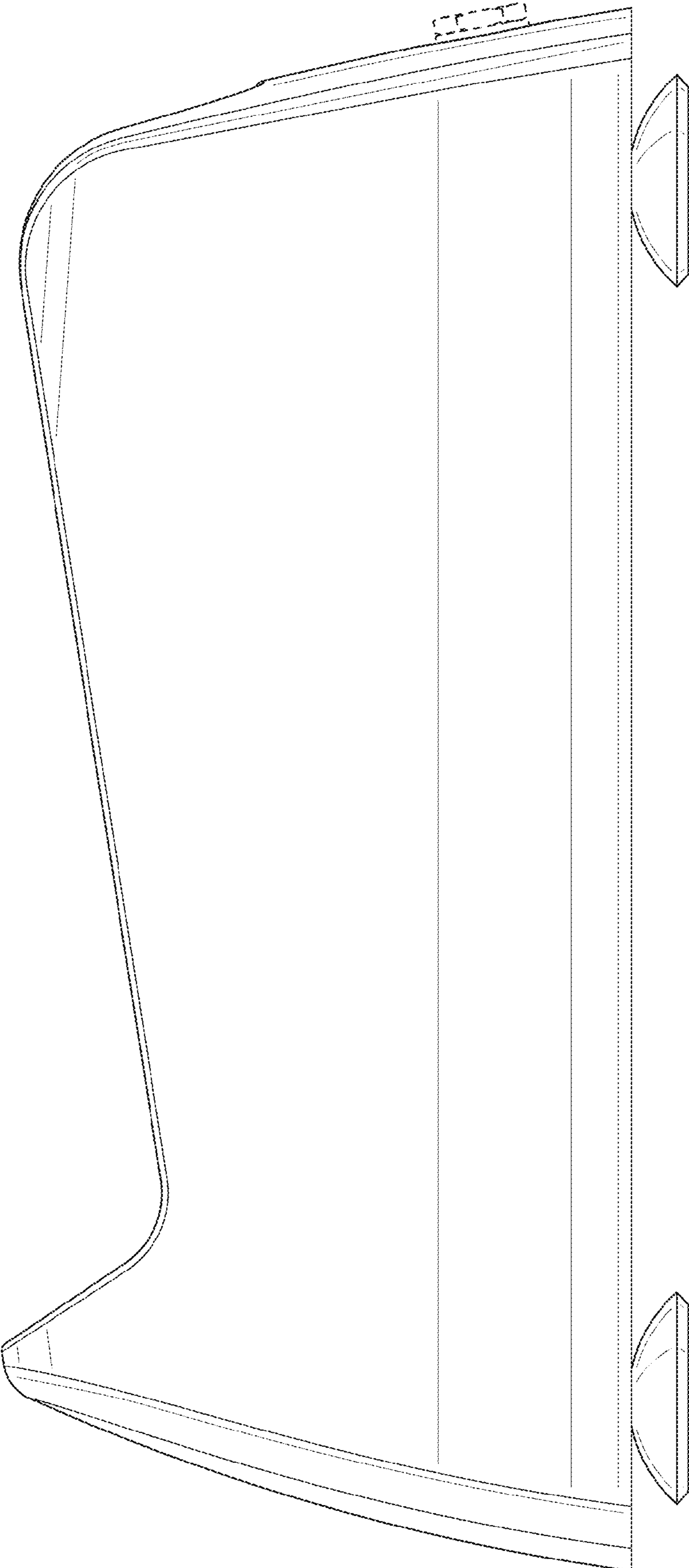


FIG. 4

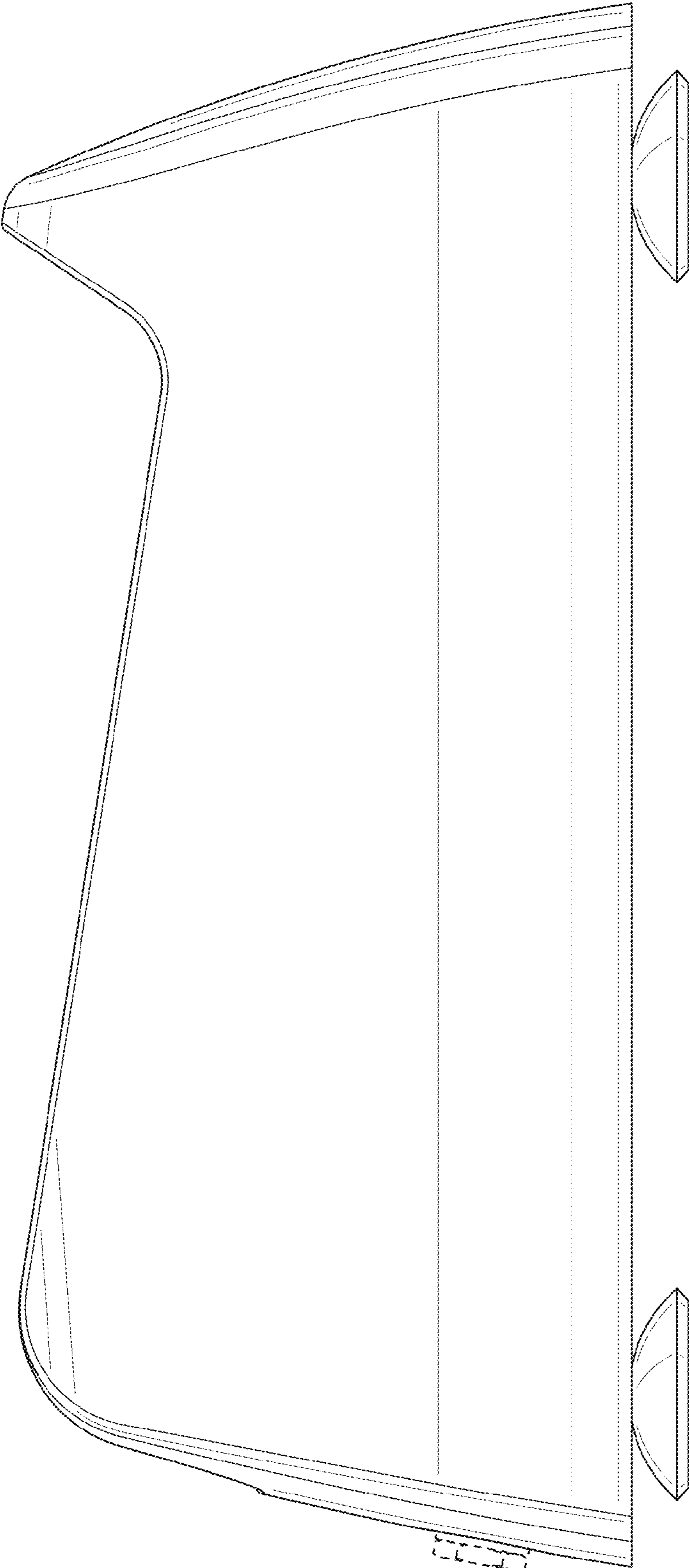


FIG. 5

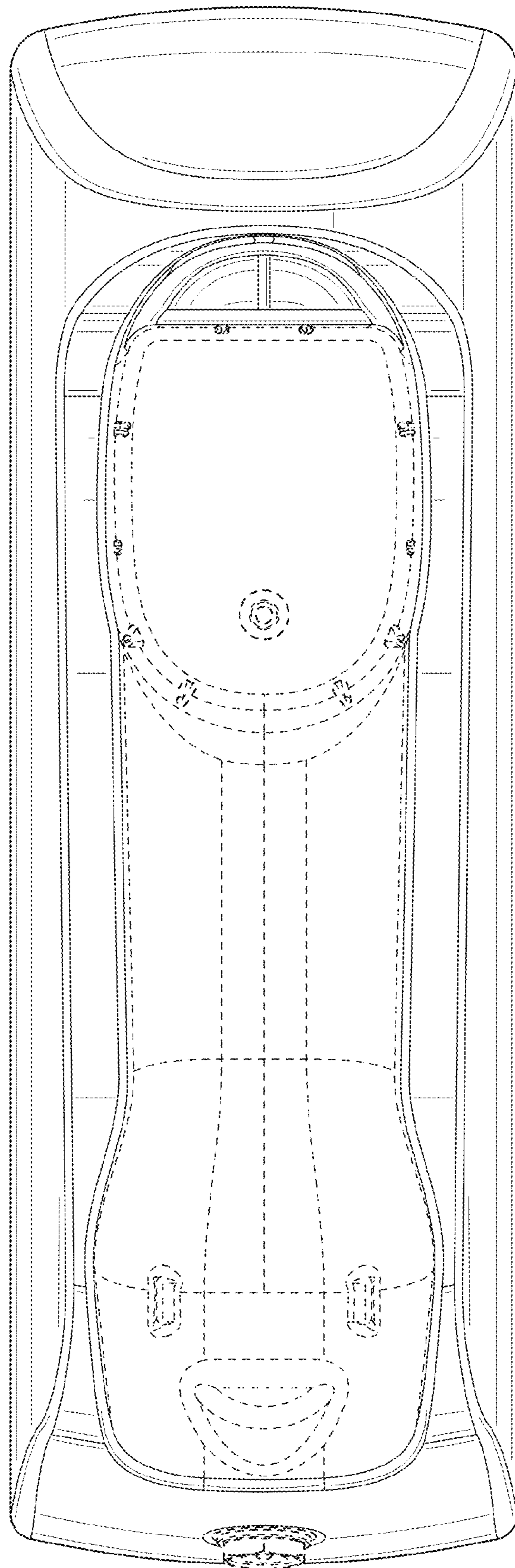


FIG. 6



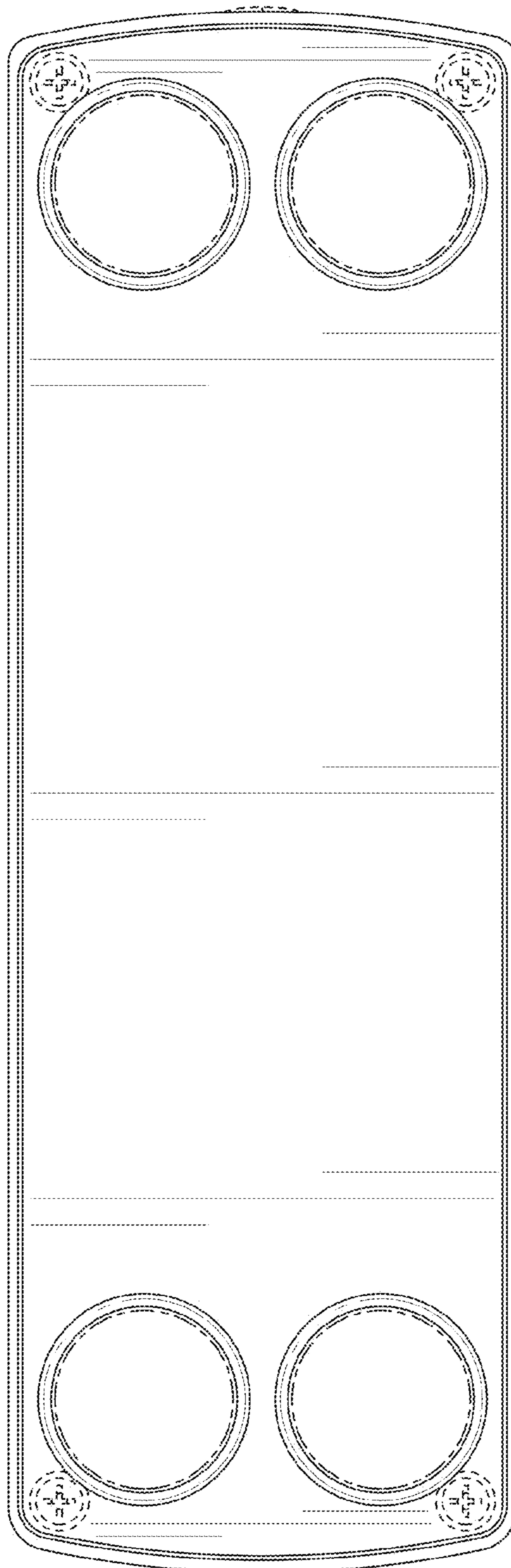


FIG. 7