



US00D954987S

(12) **United States Design Patent** (10) **Patent No.:** **US D954,987 S**
Veenendaal et al. (45) **Date of Patent:** **** Jun. 14, 2022**

- (54) **IN VITRO DIAGNOSTIC DEVICE (IVD)**
- (71) Applicant: **ATH (AUSTRALIA) PTY LTD,**
Kellyville (AU)
- (72) Inventors: **Marc Veenendaal,** Kellyville (AU);
Shane O'Neill, Kellyville (AU); **Allan**
Chisholm, Kellyville (AU)
- (73) Assignee: **ATH (AUSTRALIA) PTY LTD,**
Kellyville (AU)
- (**) Term: **15 Years**
- (21) Appl. No.: **29/758,087**
- (22) Filed: **Nov. 12, 2020**
- (51) **LOC (13) Cl.** **24-02**
- (52) **U.S. Cl.**
USPC **D24/224**
- (58) **Field of Classification Search**
USPC D24/107, 121-123, 216-217, 219,
D24/223-227, 229-231, 232;
D3/203.1-203.8, 273, 294, 302, 304, 312;
D9/420, 423, 424, 434, 454
CPC ... B29C 65/665; A61B 10/0045; A61B 5/154;
A61B 10/0096; A61J 1/1468; A61J
1/1425; B01L 3/50825; B65D 51/002;
B65D 39/00; B65D 75/5811; B65D
83/04; B65D 83/0409; G01N 21/718;
G01N 1/38; C03C 3/091; B41F 17/22;
B41F 17/08; B26D 3/30; B26D 7/01;
C12Q 1/6825; A01H 4/005
See application file for complete search history.

(56) **References Cited**
U.S. PATENT DOCUMENTS

D335,924 S * 5/1993 Nilsson D24/115
6,431,476 B1 * 8/2002 Taylor B01L 3/502
241/1

D631,554 S * 1/2011 Jackson D24/224
D640,795 S * 6/2011 Jackson D24/216
D690,025 S * 9/2013 TerMaat D24/224
D901,710 S * 11/2020 Tadmor D24/216
D903,898 S * 12/2020 Nagy D24/224
D929,606 S * 8/2021 Forman D24/224
D933,203 S * 10/2021 Zhang D24/121
2018/0011079 A1 * 1/2018 Fang B01L 3/502

OTHER PUBLICATIONS

Dna Saliva Sample Specimen Collector. Online, published date unknown. Retrieved on Oct. 27, 2021 from URL: <https://www.globalsources.com/Medical-sampling/Saliva-sampling-collector-kit-1185428106p.htm#1185428106>.*

* cited by examiner

Primary Examiner — Omeed Agilee

(74) *Attorney, Agent, or Firm* — Michael J. Feigin, Esq.;
Feigin and Fridman LLC

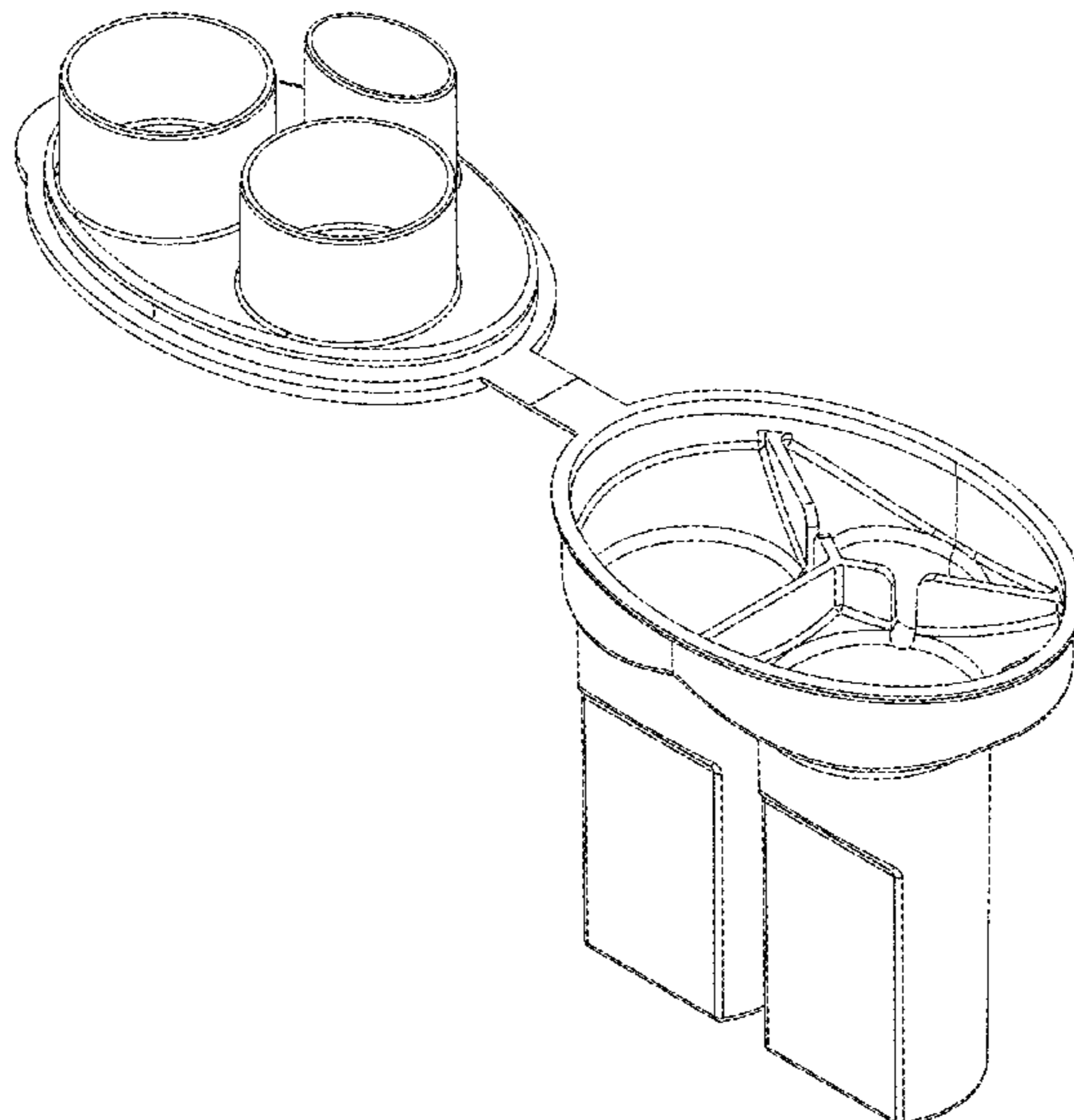
(57) **CLAIM**

The ornamental design for an in vitro diagnostic device (IVD), as shown and described.

DESCRIPTION

FIG. 1 is a perspective view of an in vitro diagnostic device (IVD).
 FIG. 2 is a second perspective view thereof with a closed lid.
 FIG. 3 is a perspective view thereof with an open lid.
 FIG. 4 is a front view thereof with an open lid.
 FIG. 5 is a rear view thereof with an open lid.
 FIG. 6 is a top view thereof with an open lid.
 FIG. 7 is a bottom plan view thereof with an open lid.
 FIG. 8 is an enlarged right side view thereof; and,
 FIG. 9 is an enlarged left side view thereof.
 The broken lines depict portions of the in vitro diagnostic device (IVD) that form no part of the claimed design.

1 Claim, 9 Drawing Sheets



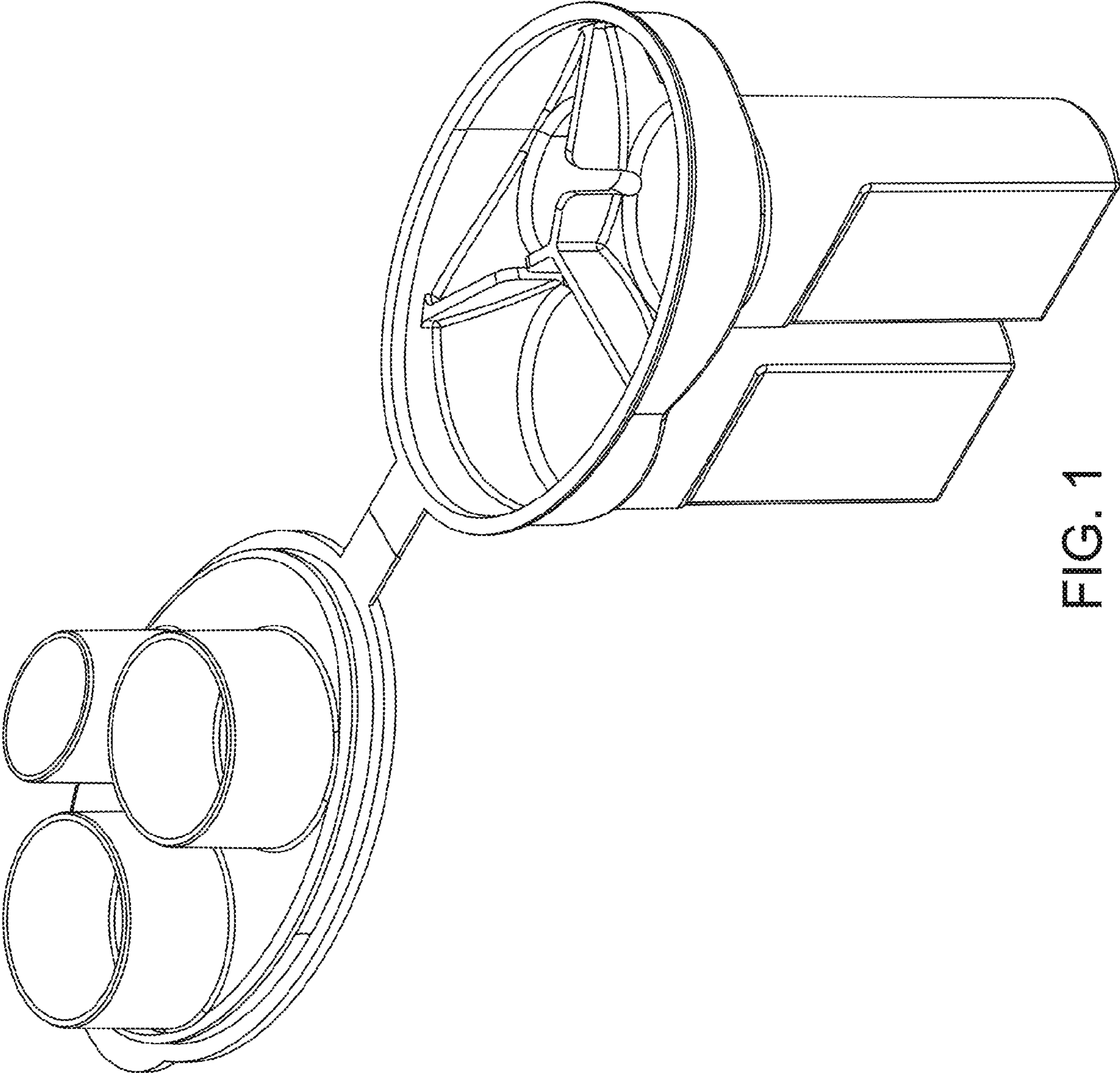


FIG. 1

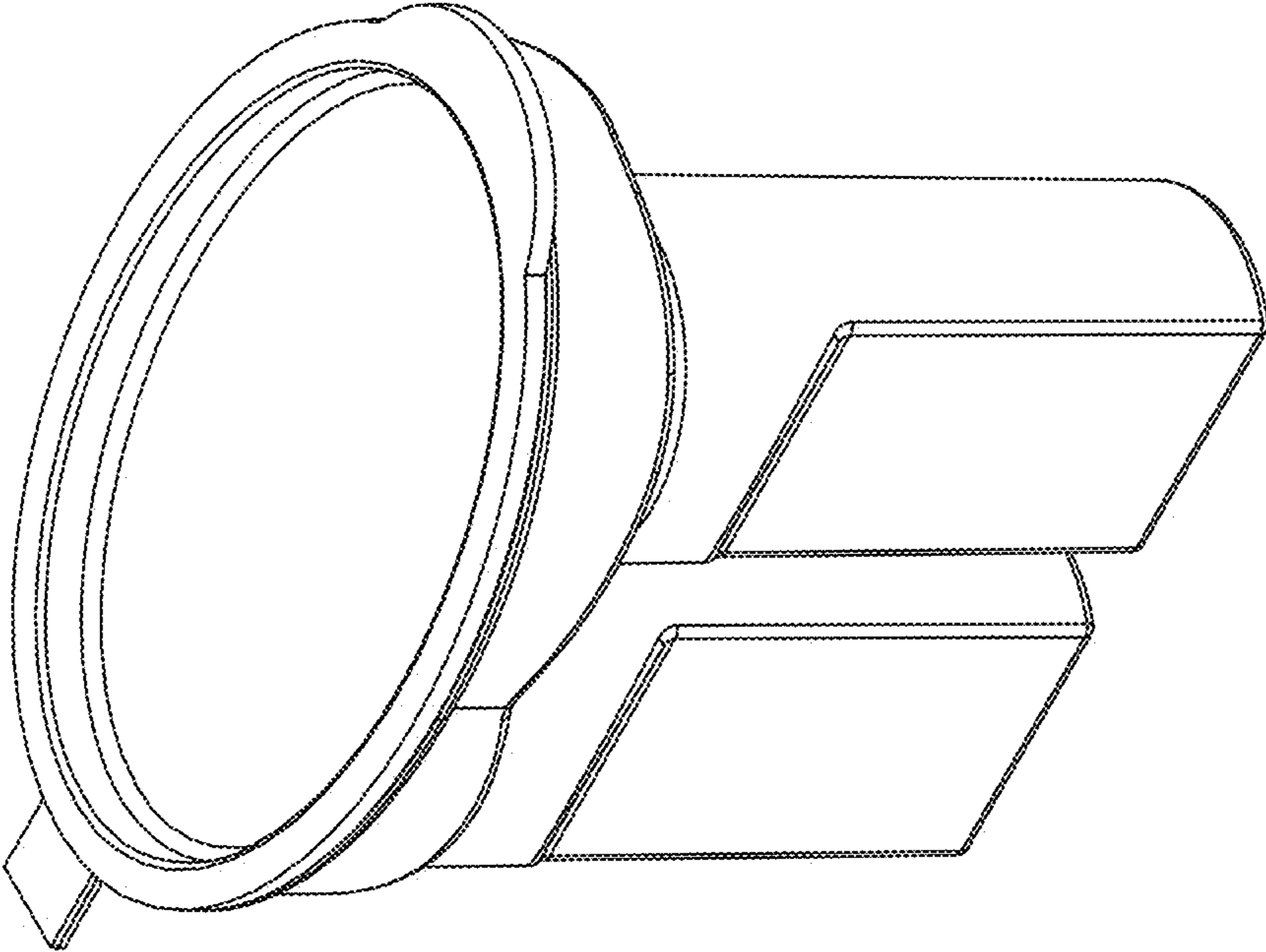


FIG. 2

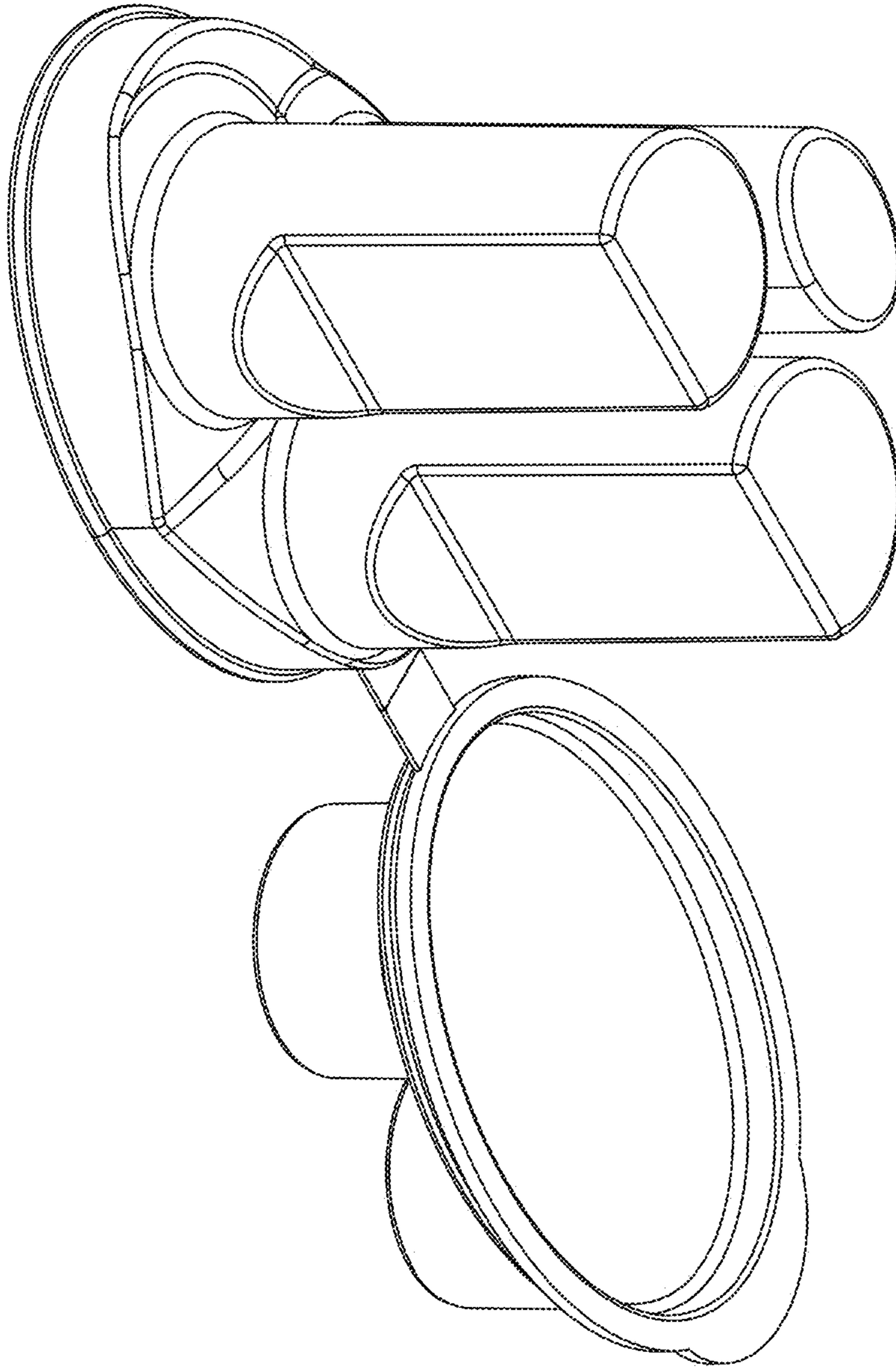


FIG. 3

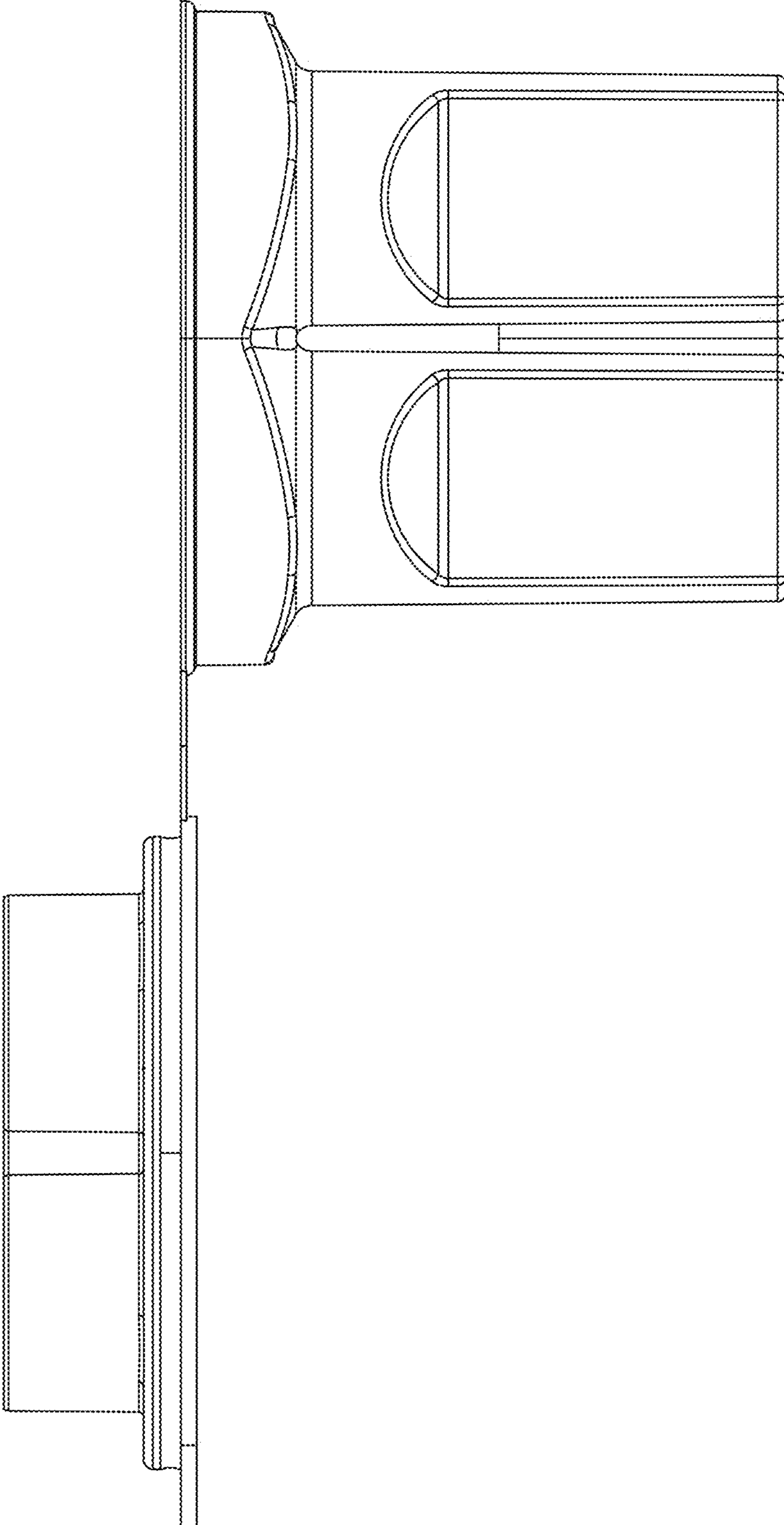


FIG. 4

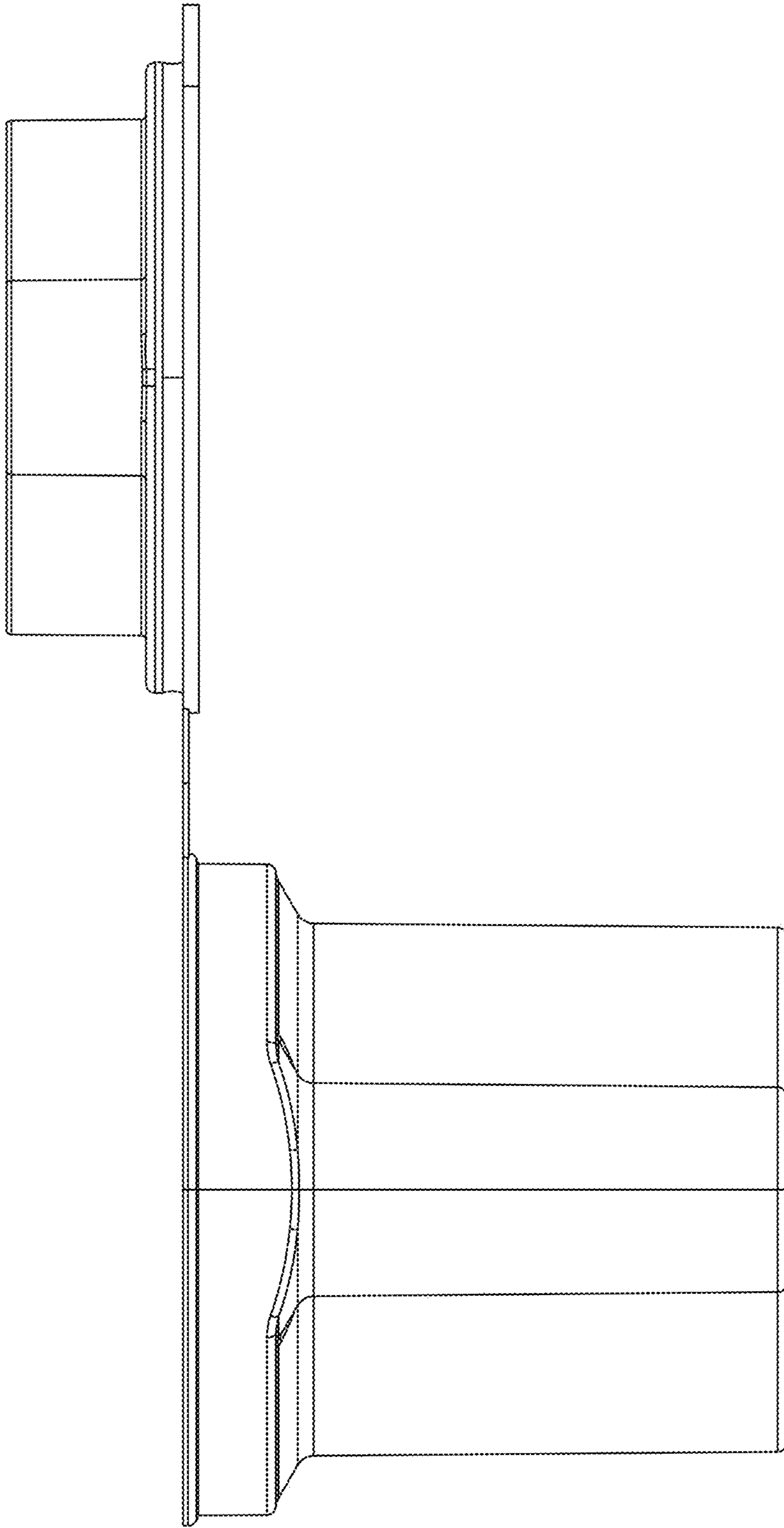


FIG. 5

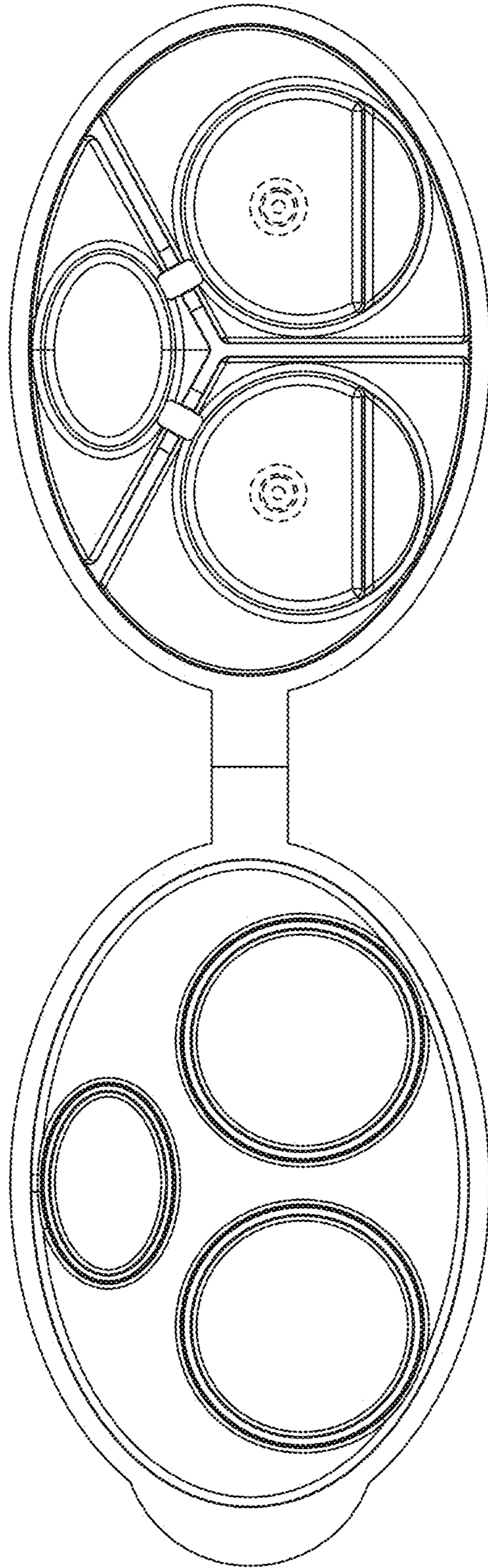


FIG. 6

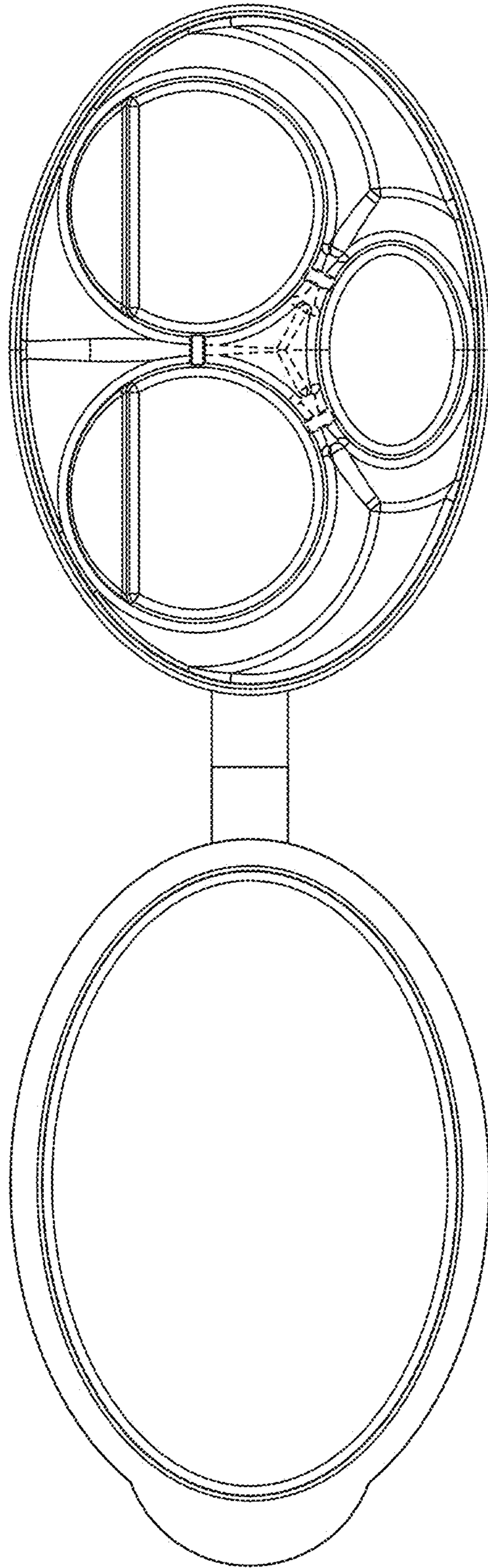


FIG. 7

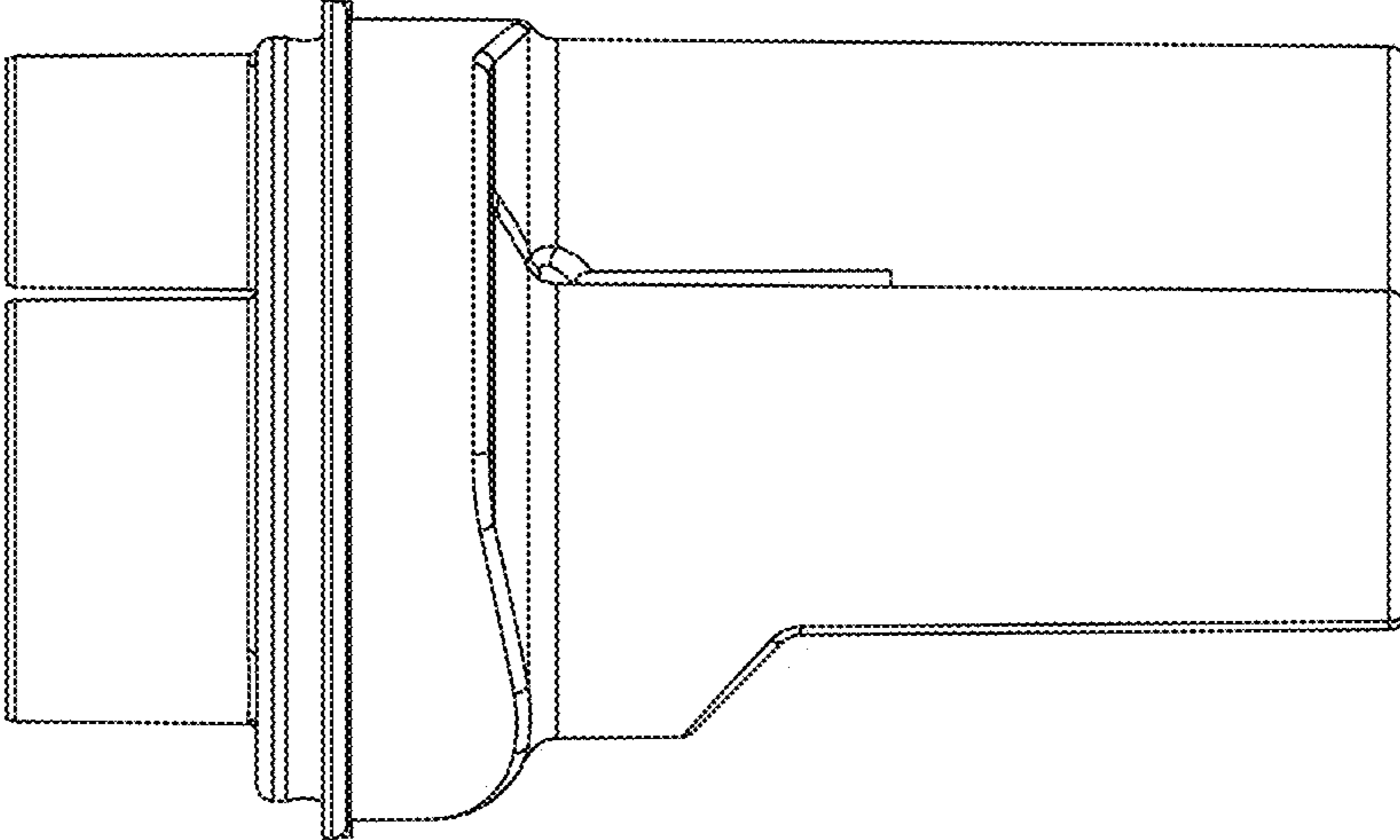


FIG. 8

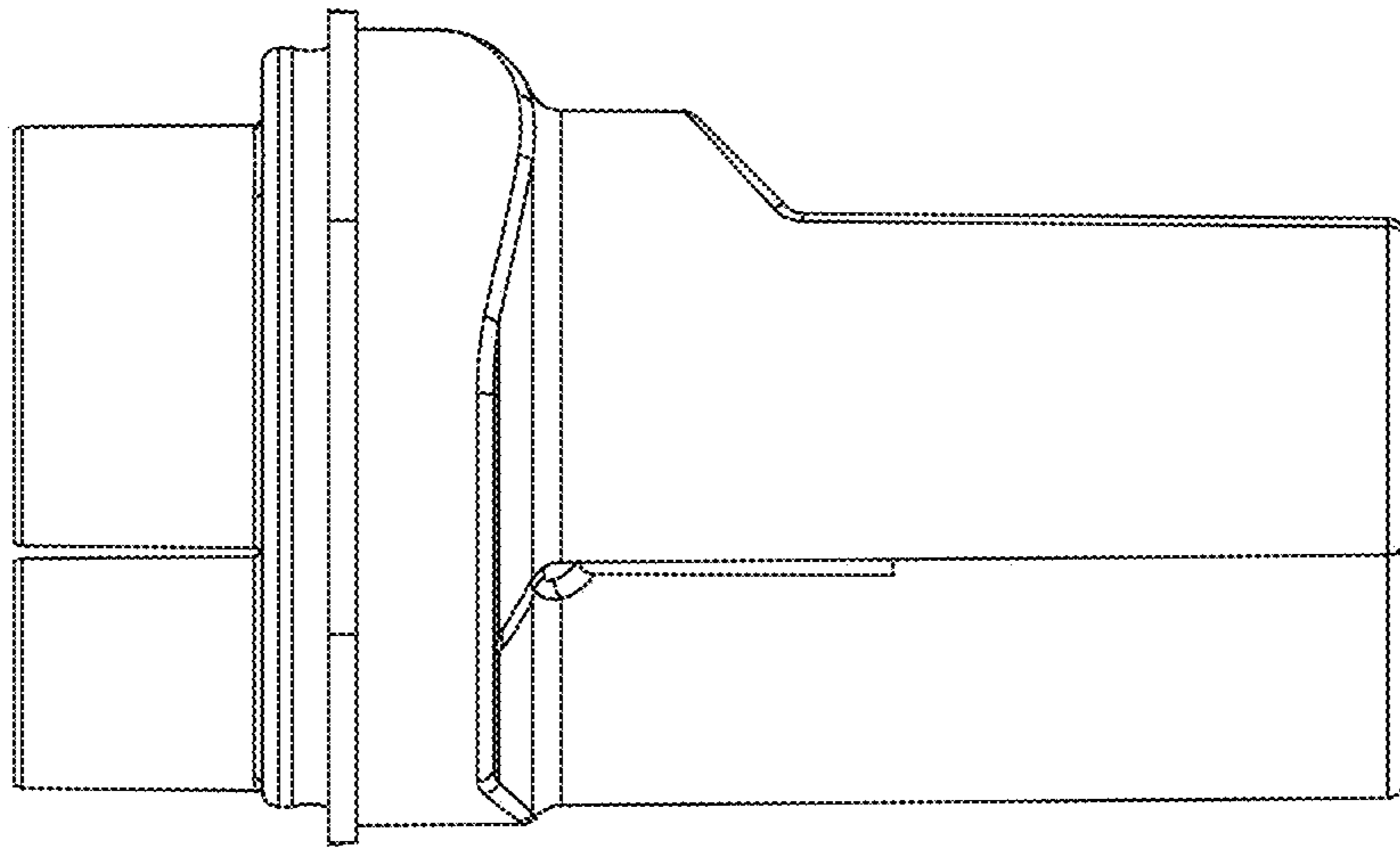


FIG. 9