



US00D954986S

(12) **United States Design Patent**  
**Nakatani**

(10) **Patent No.:** **US D954,986 S**  
(45) **Date of Patent:** **\*\* Jun. 14, 2022**

(54) **ELECTRODE COVER FOR A PLASMA PROCESSING DEVICE**

FOREIGN PATENT DOCUMENTS

JP D1598998 S 5/2018

(71) Applicant: **Hitachi High-Tech Corporation**,  
Tokyo (JP)

OTHER PUBLICATIONS

(72) Inventor: **Shintarou Nakatani**, Tokyo (JP)

4" Storz Pressure Gasket. Online, published date unknown. Retrieved on Feb. 20, 2022 from URL: <https://www.firehosedirect.com/4-storz-pressure-gasket>.\*

(73) Assignee: **Hitachi High-Tech Corporation**,  
Tokyo (JP)

*Primary Examiner* — Omeed Agilee

(\*\*) Term: **15 Years**

(74) *Attorney, Agent, or Firm* — Crowell & Moring LLP

(21) Appl. No.: **29/731,604**

(57) **CLAIM**

The ornamental design for an electrode cover for a plasma processing device, as shown and described.

(22) Filed: **Apr. 16, 2020**

**DESCRIPTION**

(30) **Foreign Application Priority Data**

Oct. 18, 2019 (JP) ..... 2019-023330

(51) **LOC (13) Cl.** ..... **24-02**

(52) **U.S. Cl.**  
USPC ..... **D24/224; D24/187**

(58) **Field of Classification Search**  
USPC ... D24/107, 110.6, 113, 129, 144, 193, 197,  
D24/206, 216, 224, 225; D23/200,  
D23/213–215, 222, 223, 229, 269, 283;  
D15/17, 126, 138, 140, 199; D13/182;  
D12/212; D8/66, 358, 375; D9/454  
CPC ..... H01J 37/32082; H01J 37/32541; H01L  
21/02238; B65D 43/0218; B65D 1/165;  
B65D 51/007; B65D 51/245; B65D 47/06  
See application file for complete search history.

FIG. 1 is a front, bottom and right side perspective view of an electrode cover for a plasma processing device according to the design;

FIG. 2 is a rear, bottom and right side perspective view thereof;

FIG. 3 is a front view thereof;

FIG. 4 is a left side view thereof;

FIG. 5 is a right side view thereof;

FIG. 6 is a top plan view thereof;

FIG. 7 is a bottom plan view thereof;

FIG. 8 is a rear view thereof;

FIG. 9 is a cross-sectional view taken along line 9-9 of FIG. 3;

FIG. 10 is an enlarged view of the portion shown in BOX 10 in FIG. 9;

FIG. 11 is an enlarged front, bottom and right side perspective view of a cross-sectional view taken along line 9-9 of FIG. 3; and,

FIG. 12 is an enlarged rear, bottom and right side perspective view of a cross-sectional view taken along line 9-9 of FIG. 3.

The broken lines show the boundary of enlarged portions and form no part of the claimed design.

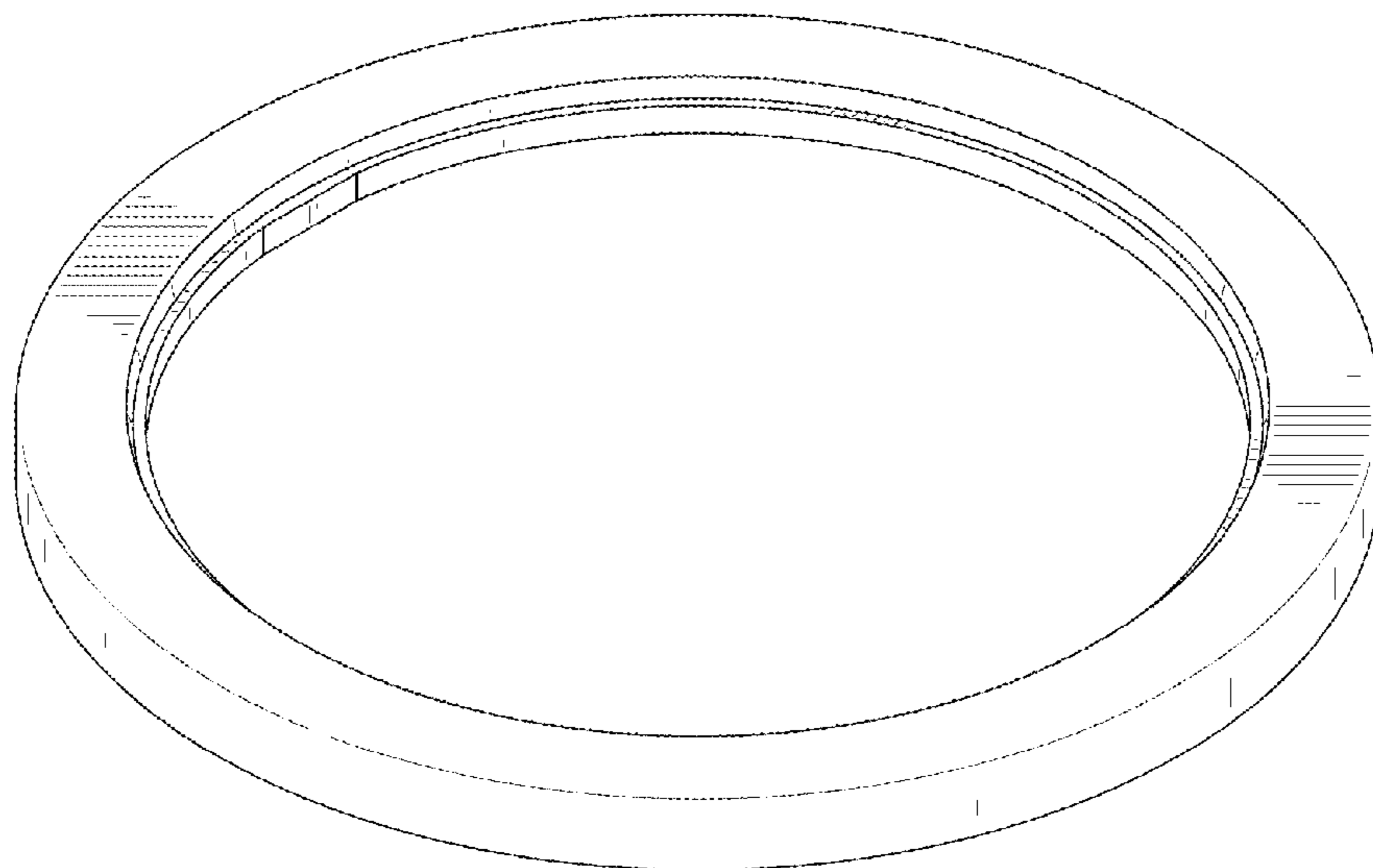
(56) **References Cited**

U.S. PATENT DOCUMENTS

4,579,354 A \* 4/1986 Vassallo ..... F16L 47/10  
277/615  
D638,550 S \* 5/2011 Bedingham ..... D24/216  
D667,561 S \* 9/2012 Bedingham ..... D24/216

(Continued)

**1 Claim, 6 Drawing Sheets**



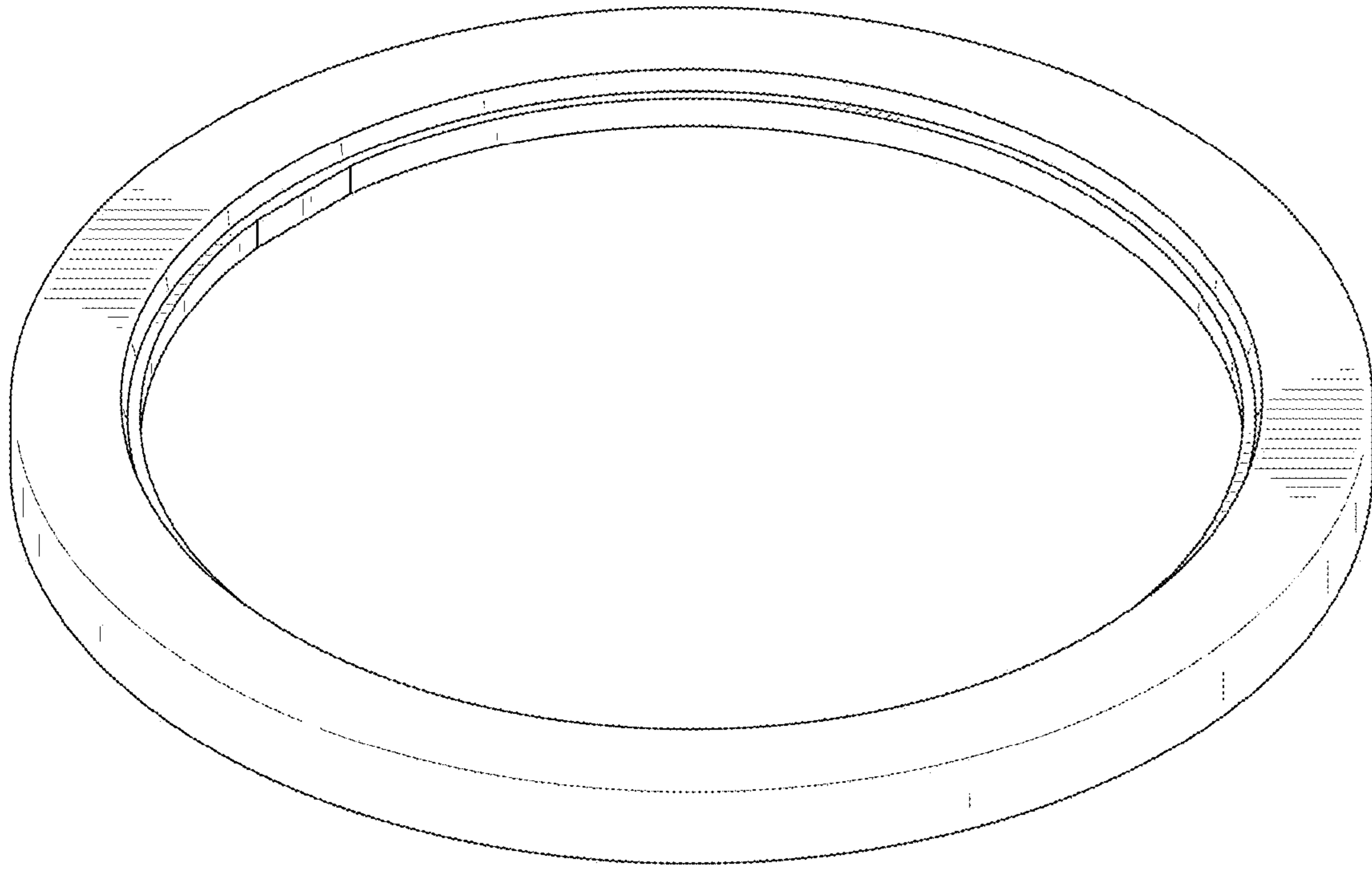
(56)

**References Cited**

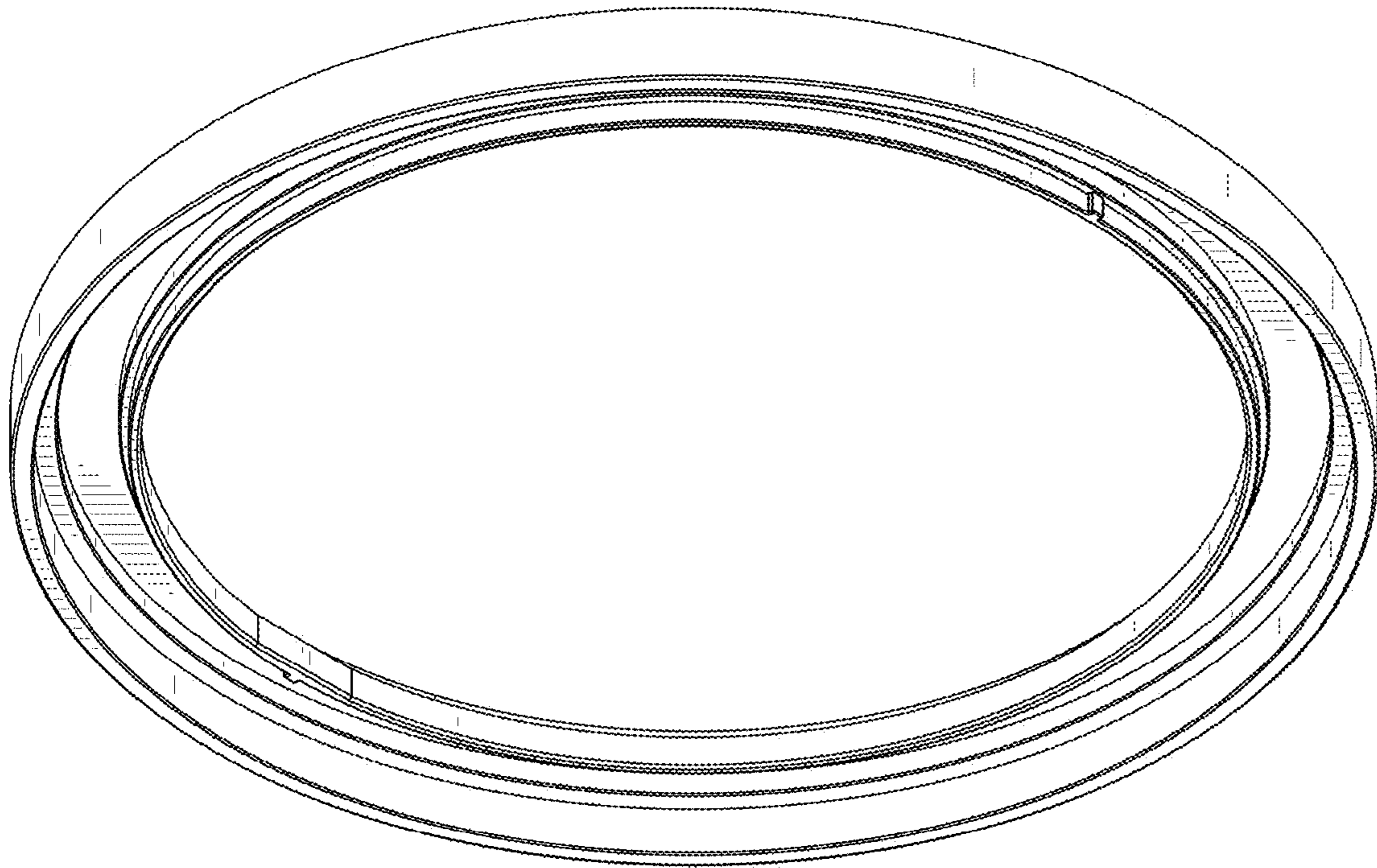
U.S. PATENT DOCUMENTS

D770,992	S	*	11/2016	Tauchi	.....	D13/182
D803,917	S	*	11/2017	Harada	.....	D15/144.1
D804,556	S	*	12/2017	Harada	.....	D15/144.1
D810,705	S	*	2/2018	Krishnan	.....	D15/138
D827,592	S	*	9/2018	Ichino	.....	D13/182
D830,435	S	*	10/2018	Wakisaka	.....	D15/143
D840,364	S	*	2/2019	Ichino	.....	D13/182
D868,993	S	*	12/2019	Isozaki	.....	D24/224
D868,995	S	*	12/2019	Tanaka	.....	D24/225
D870,314	S	*	12/2019	Isozaki	.....	D24/224
D871,608	S	*	12/2019	Okuda	.....	D24/224
D871,609	S	*	12/2019	Isozaki	.....	D24/224
D891,636	S	*	7/2020	Isozaki	.....	D24/224
D917,026	S	*	4/2021	Pacheco	.....	D23/269
D933,725	S	*	10/2021	Koppa	.....	D15/138

\* cited by examiner



**FIG. 1**



**FIG. 2**

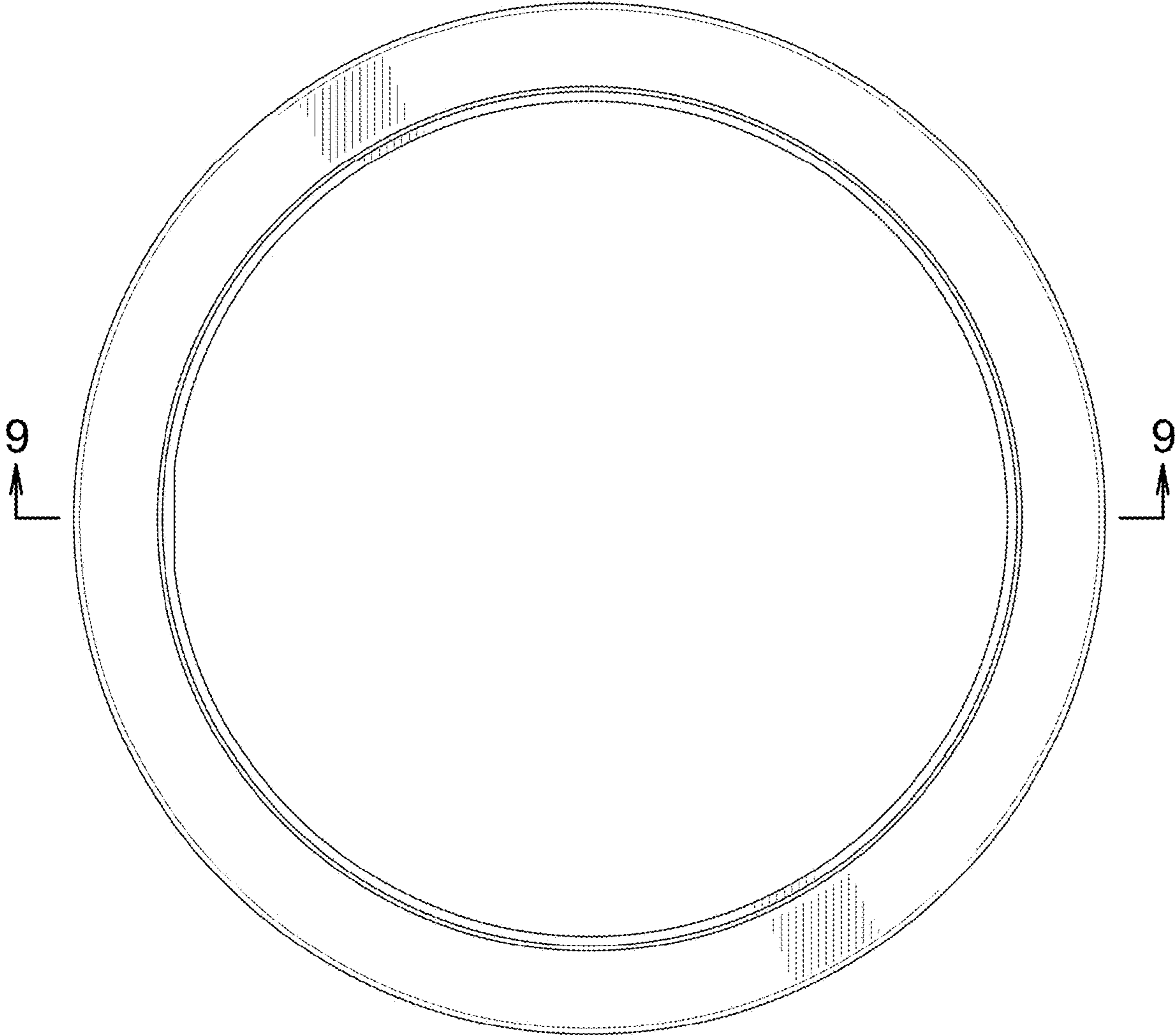
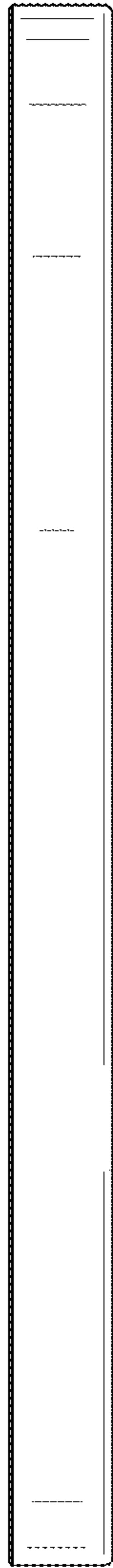


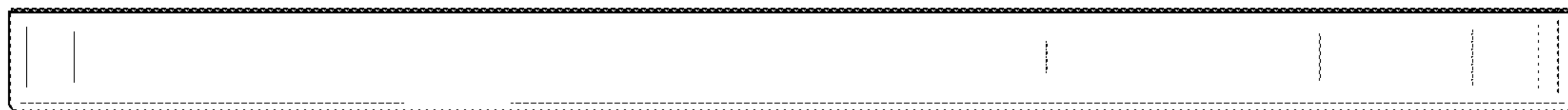
FIG. 3



*FIG. 4*



*FIG. 5*



*FIG. 6*



*FIG. 7*

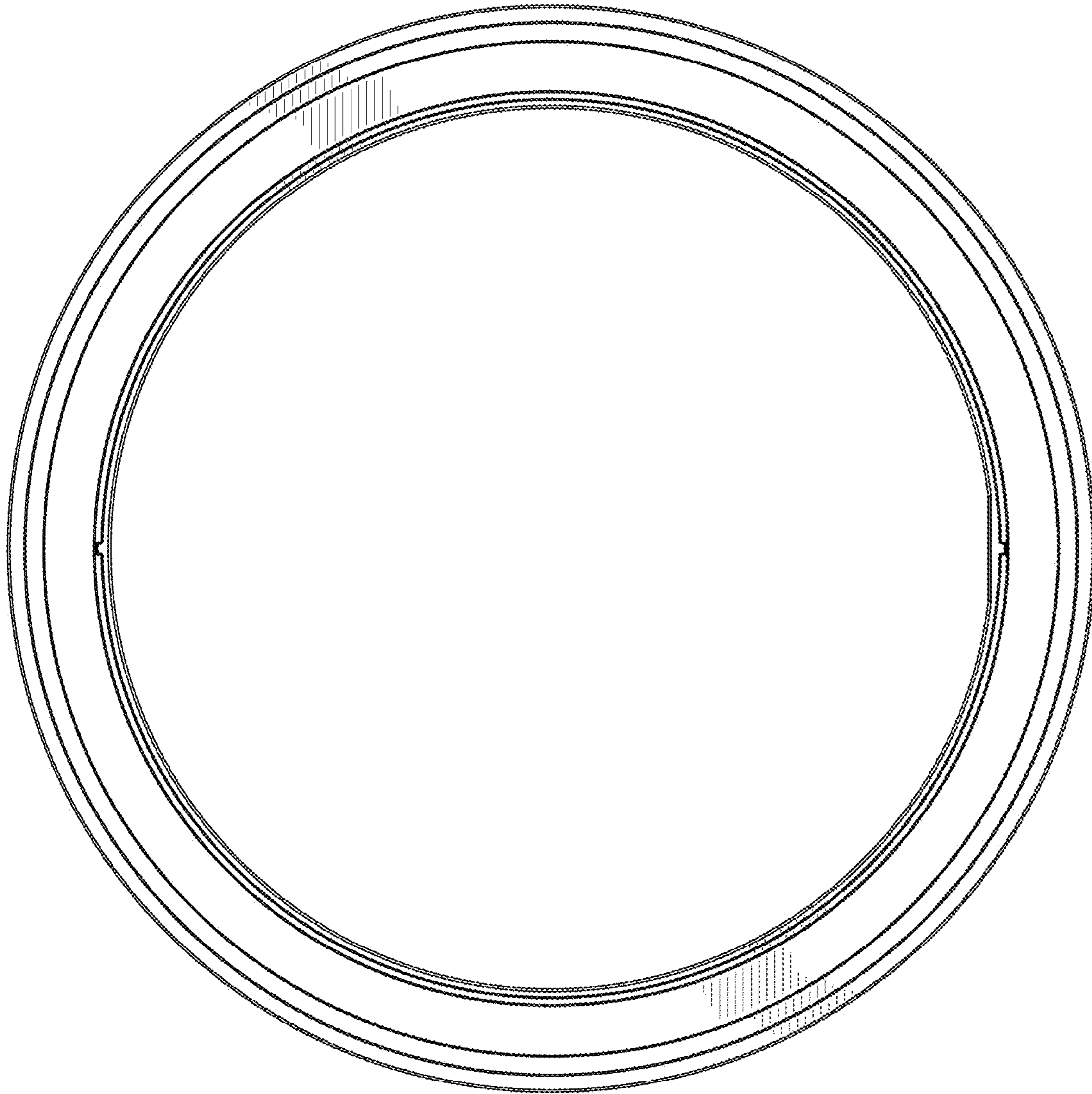


FIG. 8

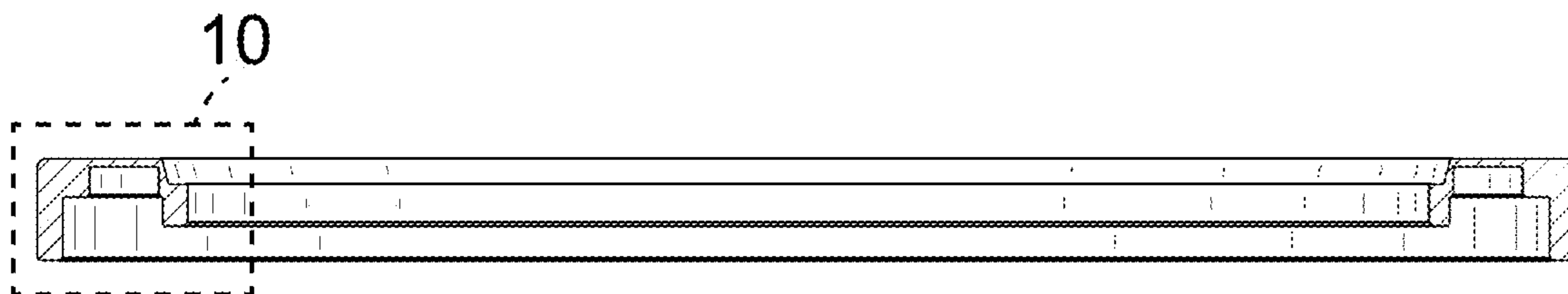
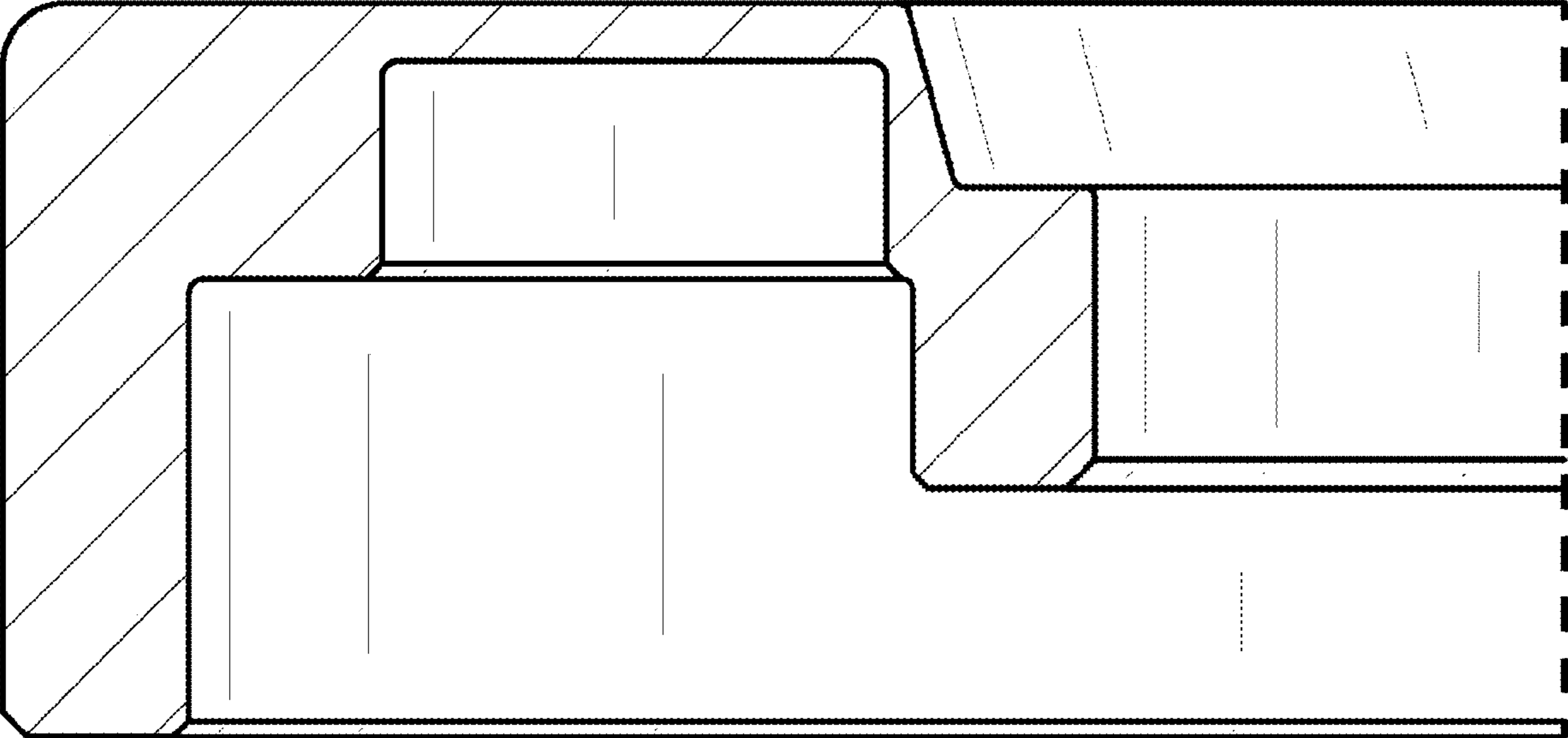


FIG. 9



*FIG. 10*

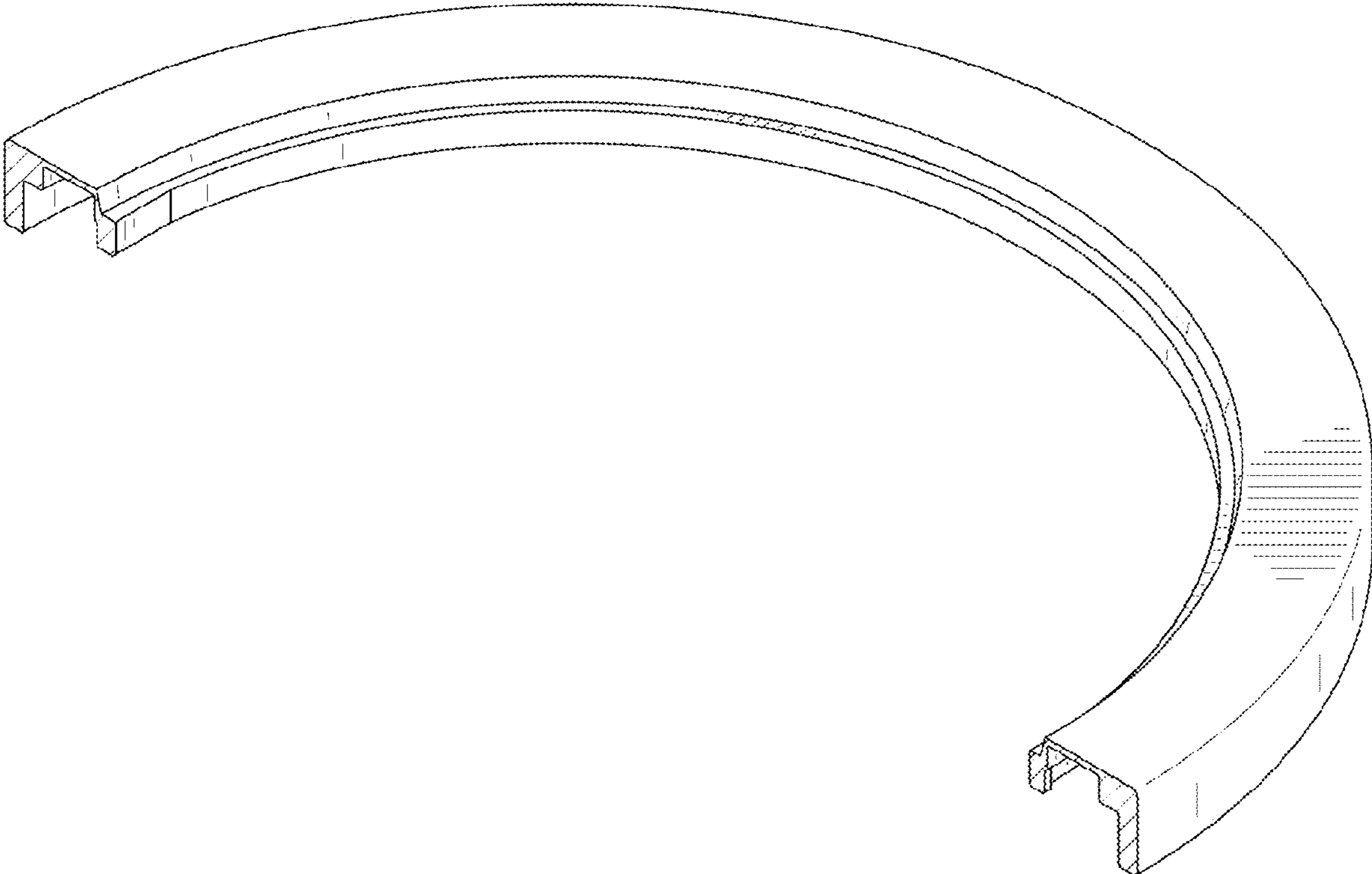


FIG. 11

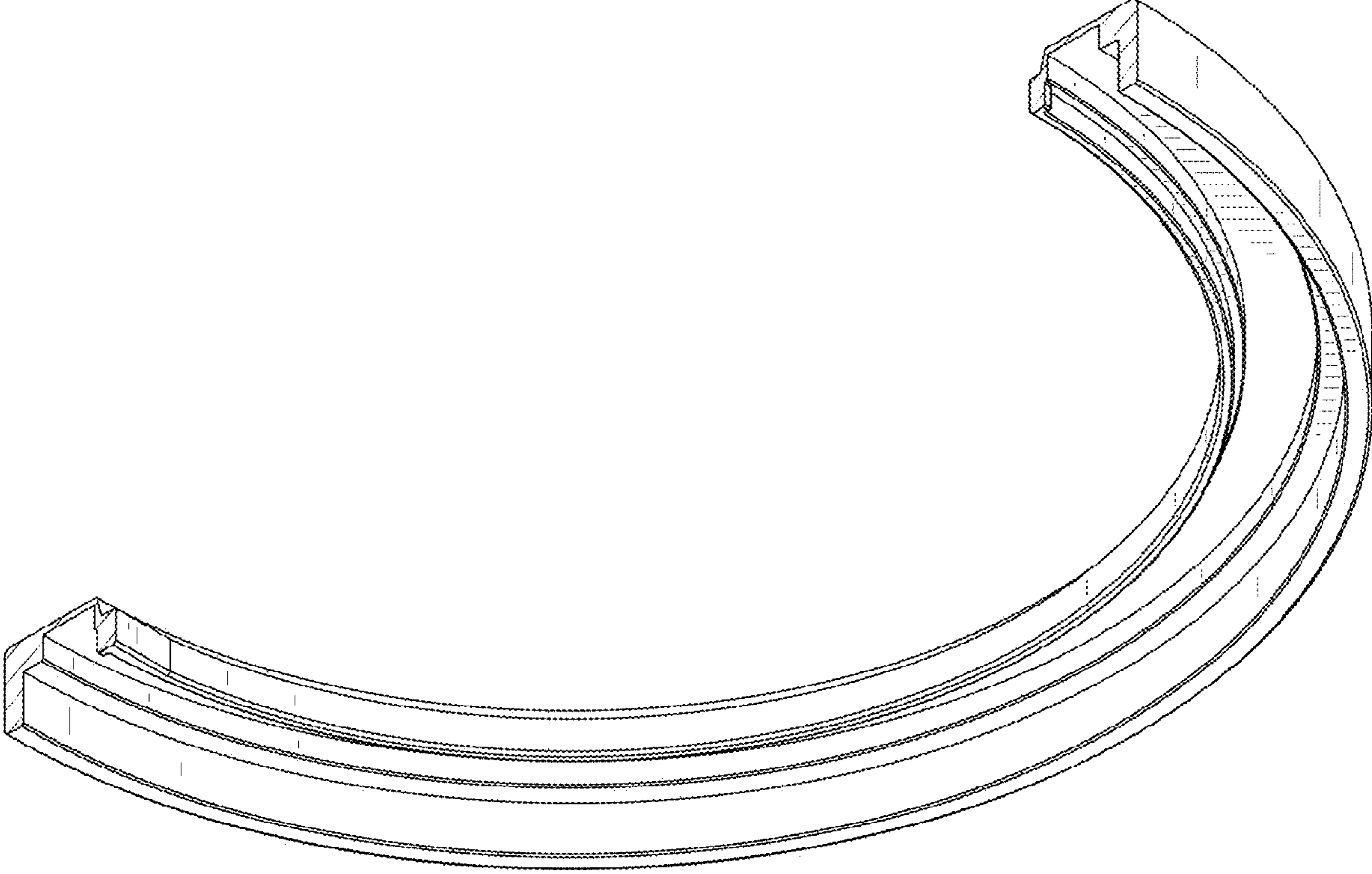


FIG. 12