



US00D954983S

(12) **United States Design Patent**  
**Ye et al.**

(10) **Patent No.:** **US D954,983 S**  
(45) **Date of Patent:** **\*\* Jun. 14, 2022**

(54) **COVID IMMUNOASSAY TEST DEVICE**

D660,978 S \* 5/2012 Wagner ..... D24/223  
D668,350 S \* 10/2012 Rowley ..... D24/225  
D765,264 S \* 8/2016 Zin ..... D24/223

(71) Applicant: **Hangzhou Biotest Biotech Co., LTD,**  
Zhejiang (CN)

(Continued)

(72) Inventors: **Chunsheng Ye**, Zhejiang (CN);  
**Zhenxing Zhang**, Zhejiang (CN);  
**Zhenyu Wang**, Zhejiang (CN); **Luna Hou**, Zhejiang (CN)

**OTHER PUBLICATIONS**

Researchers Applaud Spanish COVID-19 Serological Survey. Online, published date May 28, 2020. Retrieved on Oct. 21, 2021 from URL: <https://www.the-scientist.com/news-opinion/researchers-applaud-spanish-covid-19-serological-survey-67590>.\*

(Continued)

(73) Assignee: **Hangzhou Biotest Biotech Co., LTD.,**  
Hangzhou (CN)

(\*\*) Term: **15 Years**

*Primary Examiner* — Omeed Agilee

(21) Appl. No.: **29/749,358**

(74) *Attorney, Agent, or Firm* — NZ Carr Law Office PLLC

(22) Filed: **Sep. 4, 2020**

(57) **CLAIM**

(51) **LOC (13) Cl.** ..... **24-02**

The ornamental design for a COVID immunoassay test device, as shown and described.

(52) **U.S. Cl.**

USPC ..... **D24/223**

**DESCRIPTION**

(58) **Field of Classification Search**

USPC ..... D24/107, 121–123, 216, 217, 219,  
D24/223–227, 229–232; D10/81;  
D9/523, 547, 549, 550, 724, 732

CPC ..... B01J 2220/64; B01L 3/14; B01L  
3/021–0237; B01L 3/508–50825; B01L  
3/52–523; B01L 3/502; G01F 11/02;  
G01N 21/6428; G01N 33/50; G01N  
33/49; G01N 33/6854

See application file for complete search history.

FIG. 1 is a front view of a COVID immunoassay test device according to the present design;

FIG. 2 is a rear view the COVID immunoassay test device of FIG. 1;

FIG. 3 is a left view of the COVID immunoassay test device of FIG. 1;

FIG. 4 is a right view of the COVID immunoassay test device of FIG. 1;

FIG. 5 is a top view of the COVID immunoassay test device of FIG. 1;

FIG. 6 is a bottom view of the COVID immunoassay test device of FIG. 1;

FIG. 7 is a front perspective view of the COVID immunoassay test device of FIG. 1;

FIG. 8 is a rear perspective view of the COVID immunoassay test device of FIG. 1; and,

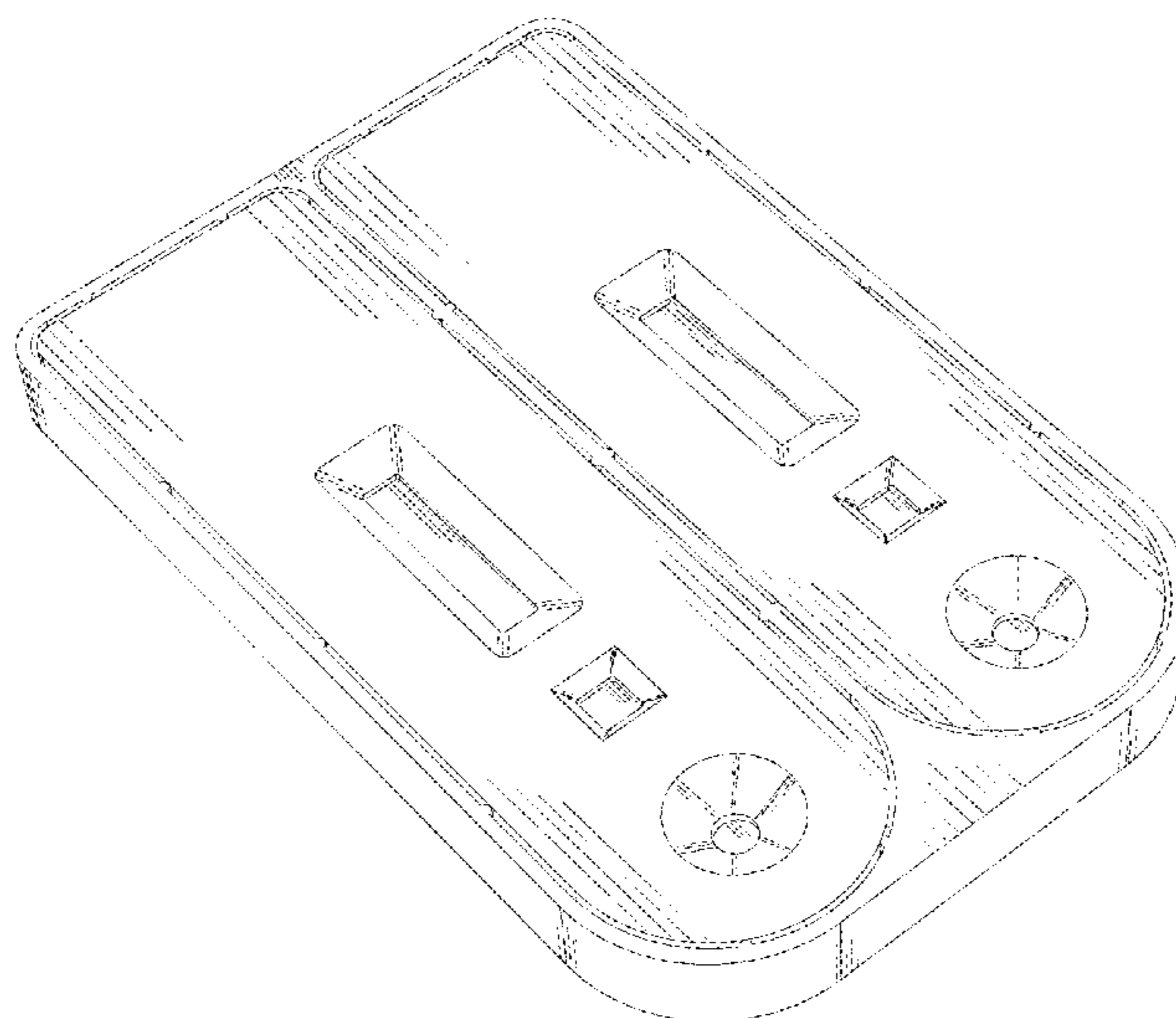
FIG. 9 is an exploded view of the COVID immunoassay test device of FIG. 1.

(56) **References Cited**

**U.S. PATENT DOCUMENTS**

5,384,264 A \* 1/1995 Chen ..... B01L 3/5023  
422/400  
D432,244 S \* 10/2000 Anderson ..... D24/223  
6,855,561 B2 \* 2/2005 Jerome ..... G01N 21/8483  
422/420  
D531,321 S \* 10/2006 Godfrey ..... D24/225  
D655,424 S \* 3/2012 Castanon ..... D24/225  
D660,977 S \* 5/2012 Wagner ..... D24/223

**1 Claim, 9 Drawing Sheets**



(56)

**References Cited**

U.S. PATENT DOCUMENTS

D772,428 S \* 11/2016 Fumito ..... D24/225  
D784,551 S \* 4/2017 Todd ..... D24/224  
D855,825 S \* 8/2019 Parsons ..... D24/223  
D894,422 S \* 8/2020 Johnson ..... D24/224  
D910,871 S \* 2/2021 Johnson ..... D24/224  
11,150,243 B2 \* 10/2021 Johnson ..... G01N 33/54373  
2007/0092401 A1 \* 4/2007 Liao ..... G01N 33/558  
422/400  
2015/0064800 A1 \* 3/2015 Chance ..... G01N 33/6854  
436/501  
2018/0356393 A1 \* 12/2018 Piasio ..... G01N 33/558  
2021/0325388 A1 \* 10/2021 Ye ..... G01N 33/56983

OTHER PUBLICATIONS

How Deadly Is COVID-19? New Stanford Study Raises as Many Questions as It Answers. Online, published date Apr. 20, 2020. Retrieved on Oct. 21, 2021 from URL: <https://www.extremetech.com/extreme/309500-how-deadly-is-covid-19-new-stanford-study-raises-questions>.\*

\* cited by examiner

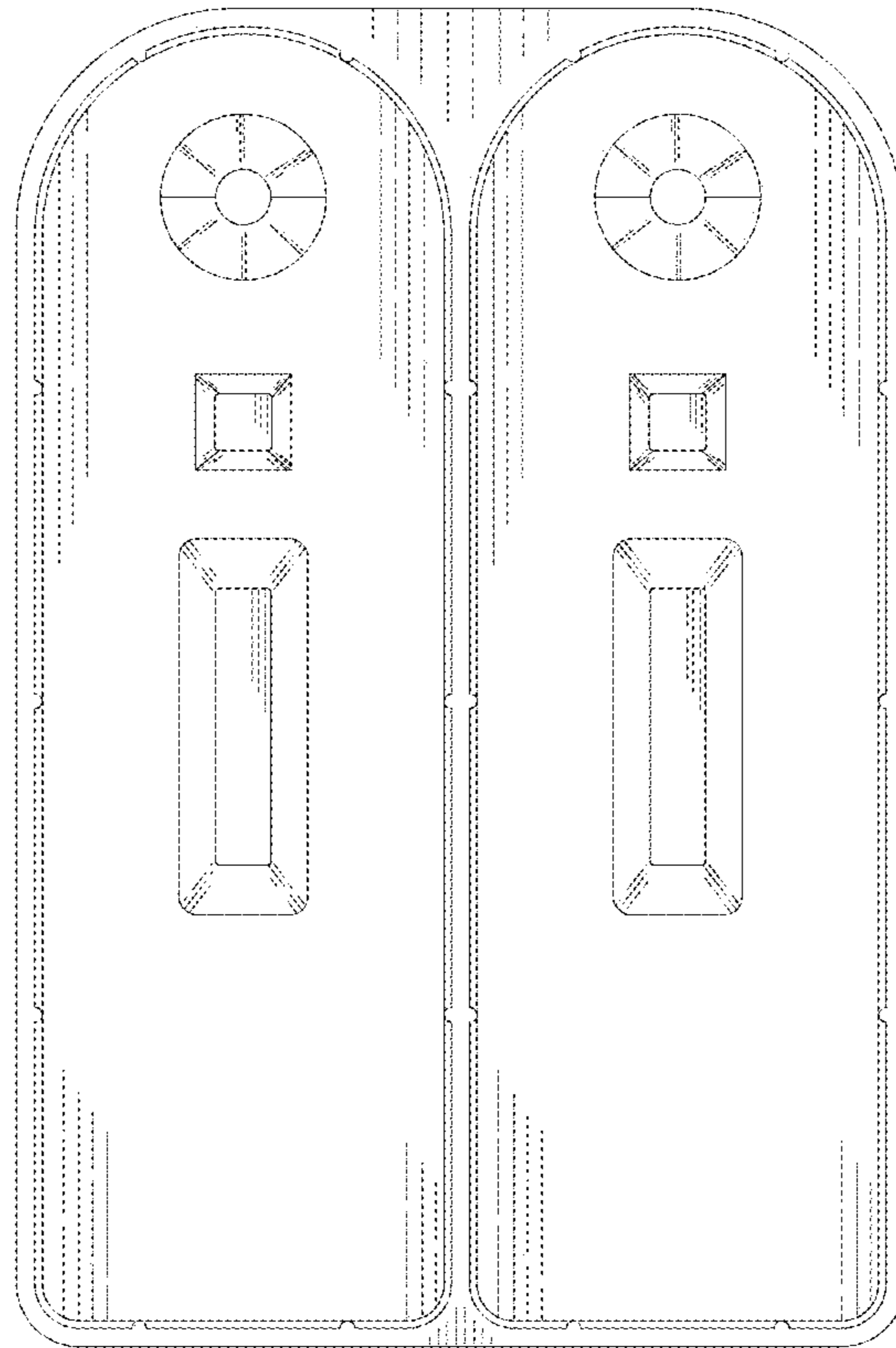


FIG. 1

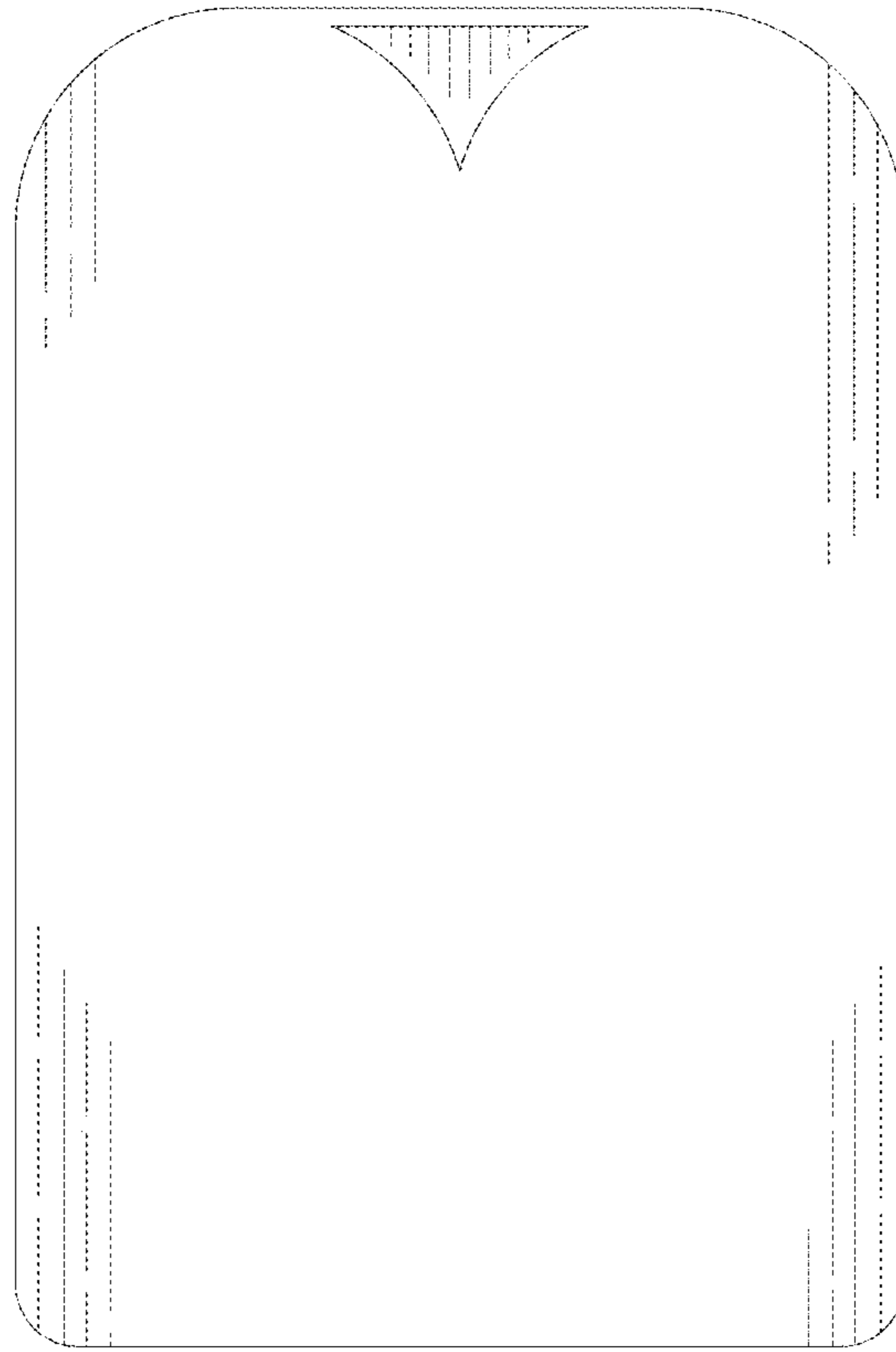


FIG. 2



FIG. 3



FIG. 4

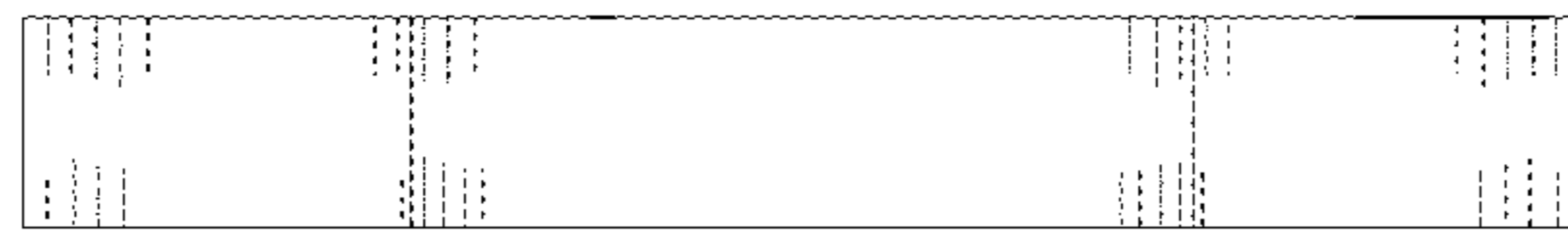


FIG. 5

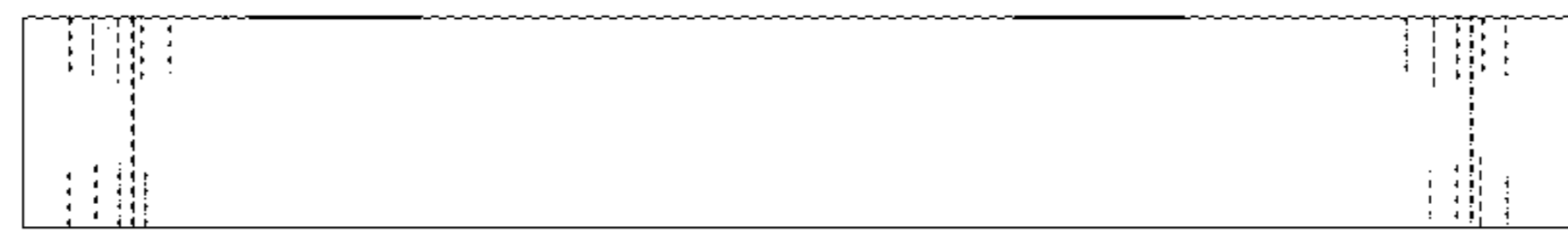


FIG. 6



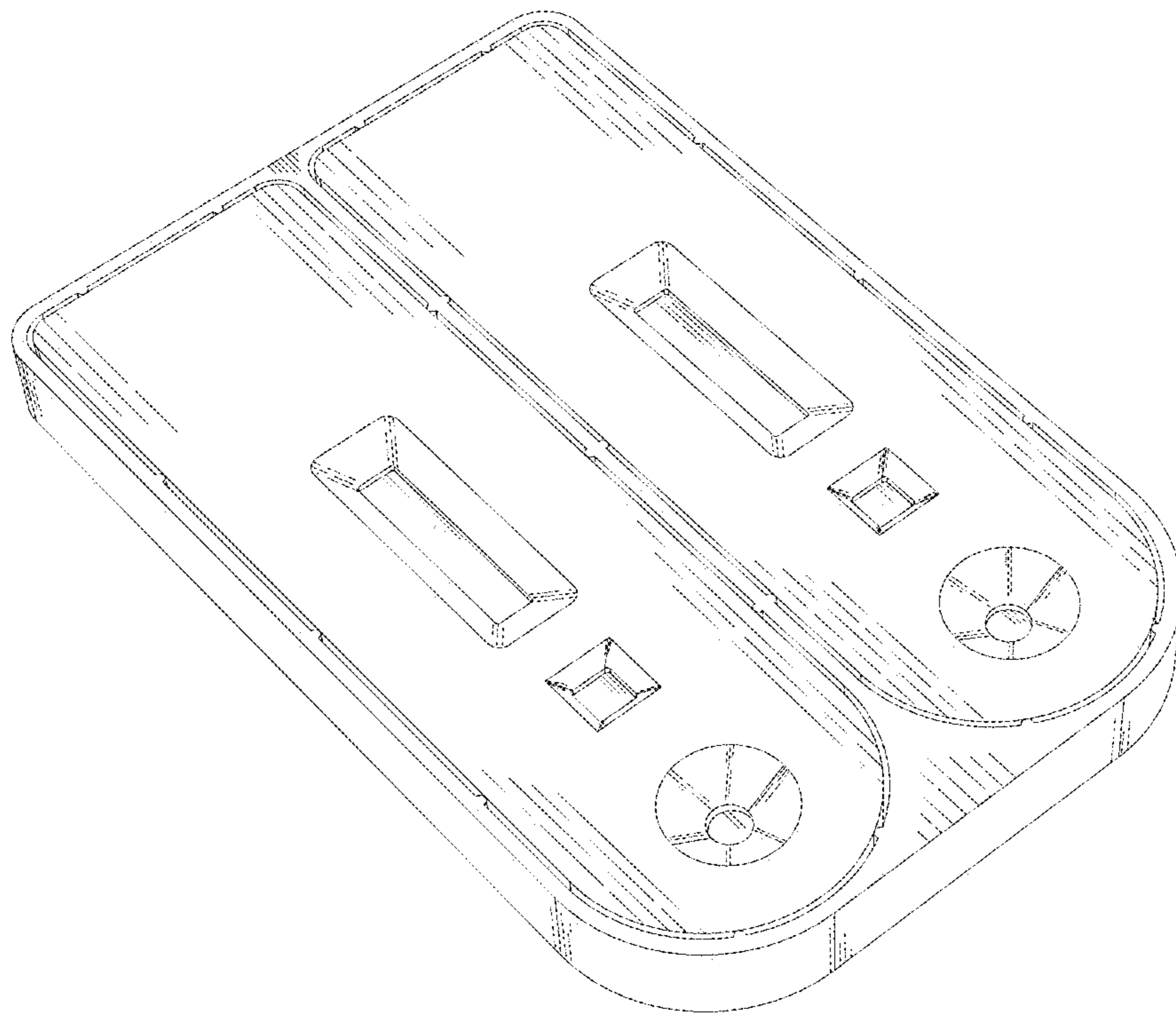


FIG. 7

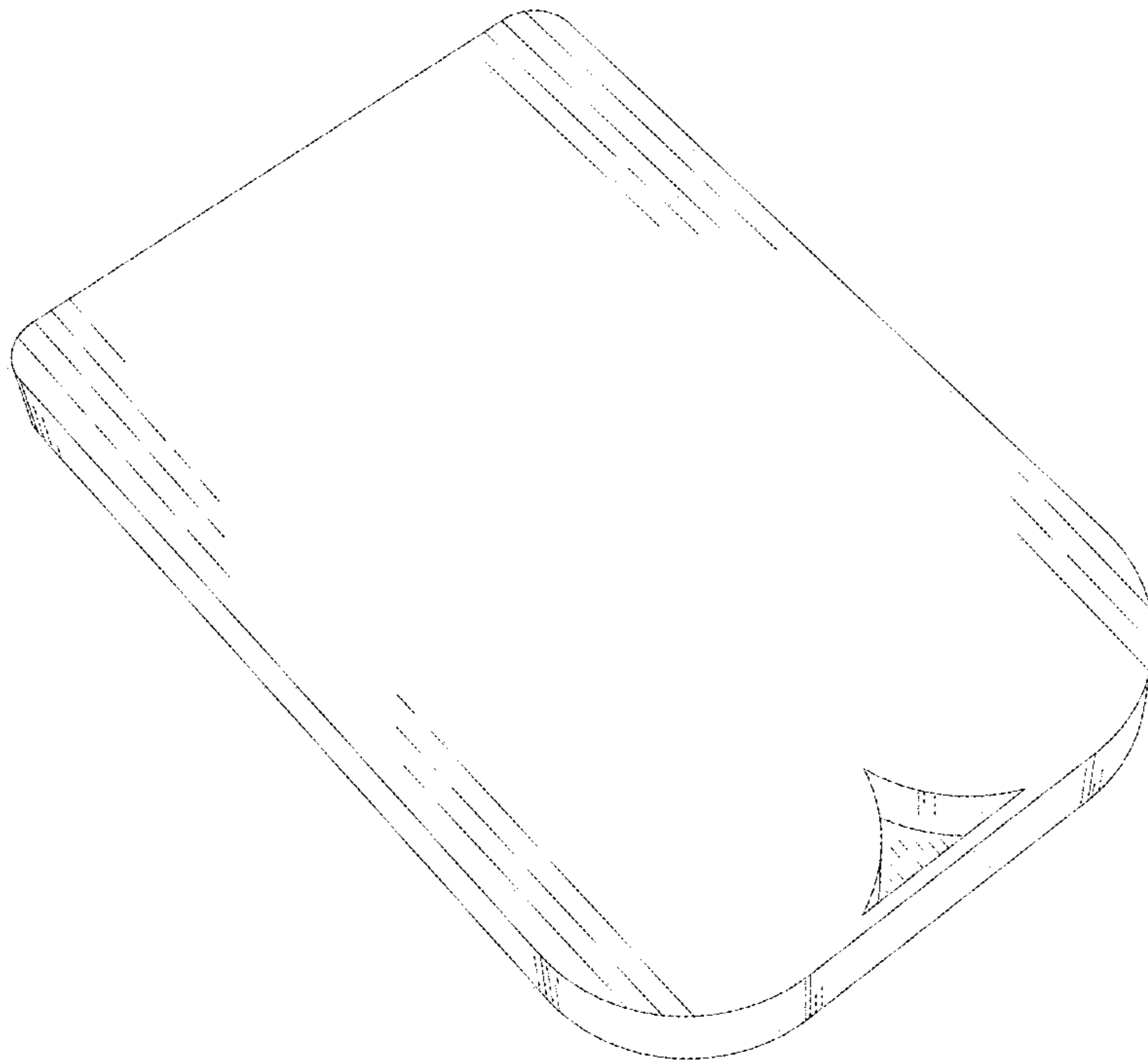


FIG. 8

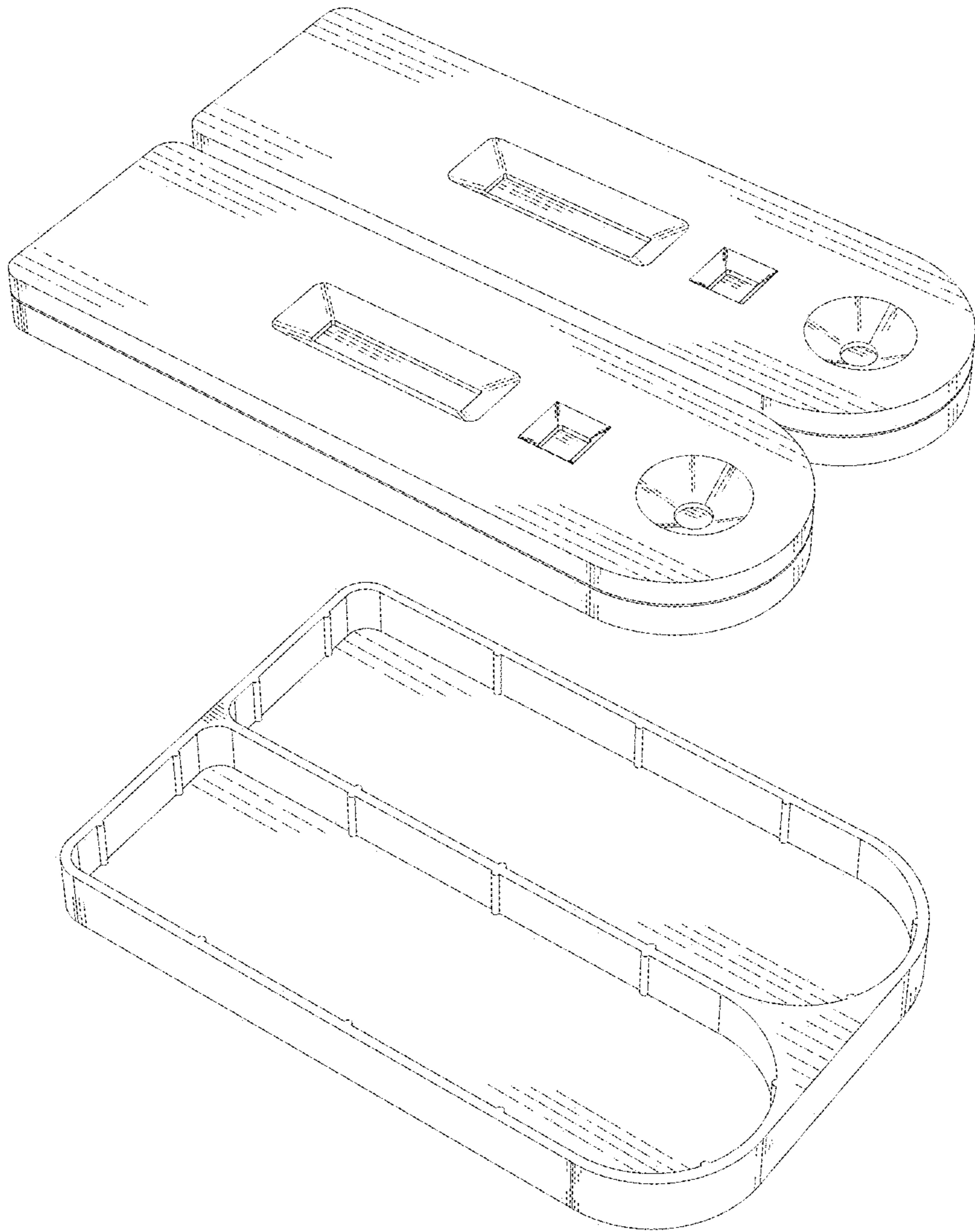


FIG. 9