



US00D954982S

(12) **United States Design Patent**
Ye et al.

(10) **Patent No.:** **US D954,982 S**
(45) **Date of Patent:** **** Jun. 14, 2022**

(54) **COVID IMMUNOASSAY TEST DEVICE**

(71) Applicant: **Hangzhou Biotest Biotech Co., LTD,**
Zhejiang (CN)

(72) Inventors: **Chunsheng Ye**, Hangzhou (CN);
Zhenxing Zhang, Hangzhou (CN);
Zhenyu Wang, Hangzhou (CN); **Luna Hou**, Hangzhou (CN)

(73) Assignee: **Hangzhou Biotest Biotech Co., LTD.,**
Hangzhou (CN)

(**) Term: **15 Years**

(21) Appl. No.: **29/747,032**

(22) Filed: **Aug. 19, 2020**

(30) **Foreign Application Priority Data**

Jun. 30, 2020 (CN) 202030344244.8

(51) **LOC (13) Cl.** **24-02**

(52) **U.S. Cl.**
USPC **D24/223**

(58) **Field of Classification Search**
USPC D24/107, 121–123, 216, 217, 219,
D24/223–227, 229–232; D10/81;
D9/523, 547, 549, 550, 724, 732
CPC B01J 2220/64; B01L 3/14; B01L
3/021–0237; B01L 3/508–50825; B01L
3/52–523; B01L 3/502; G01F 11/02;
G01N 21/6428; G01N 33/50; G01N
33/49; G01N 33/6854
See application file for complete search history.

(56) **References Cited**

U.S. PATENT DOCUMENTS

5,384,264 A * 1/1995 Chen B01L 3/5023
422/400
D432,244 S * 10/2000 Anderson D24/223
6,855,561 B2 * 2/2005 Jerome G01N 21/8483
422/420

D531,321 S * 10/2006 Godfrey D24/225
D655,424 S * 3/2012 Castanon D24/225
D660,977 S * 5/2012 Wagner D24/223
D660,978 S * 5/2012 Wagner D24/223
D668,350 S * 10/2012 Rowley D24/225

(Continued)

OTHER PUBLICATIONS

Researchers Applaud Spanish COVID-19 Serological Survey. Online,
published date May 28, 2020. Retrieved on Oct. 21, 2021 from
URL: <https://www.the-scientist.com/news-opinion/researchers-applaud-spanish-covid-19-serological-survey-67590>.*

(Continued)

Primary Examiner — Omeed Agilee

(74) *Attorney, Agent, or Firm* — Nz Carr Law Office
PLLC

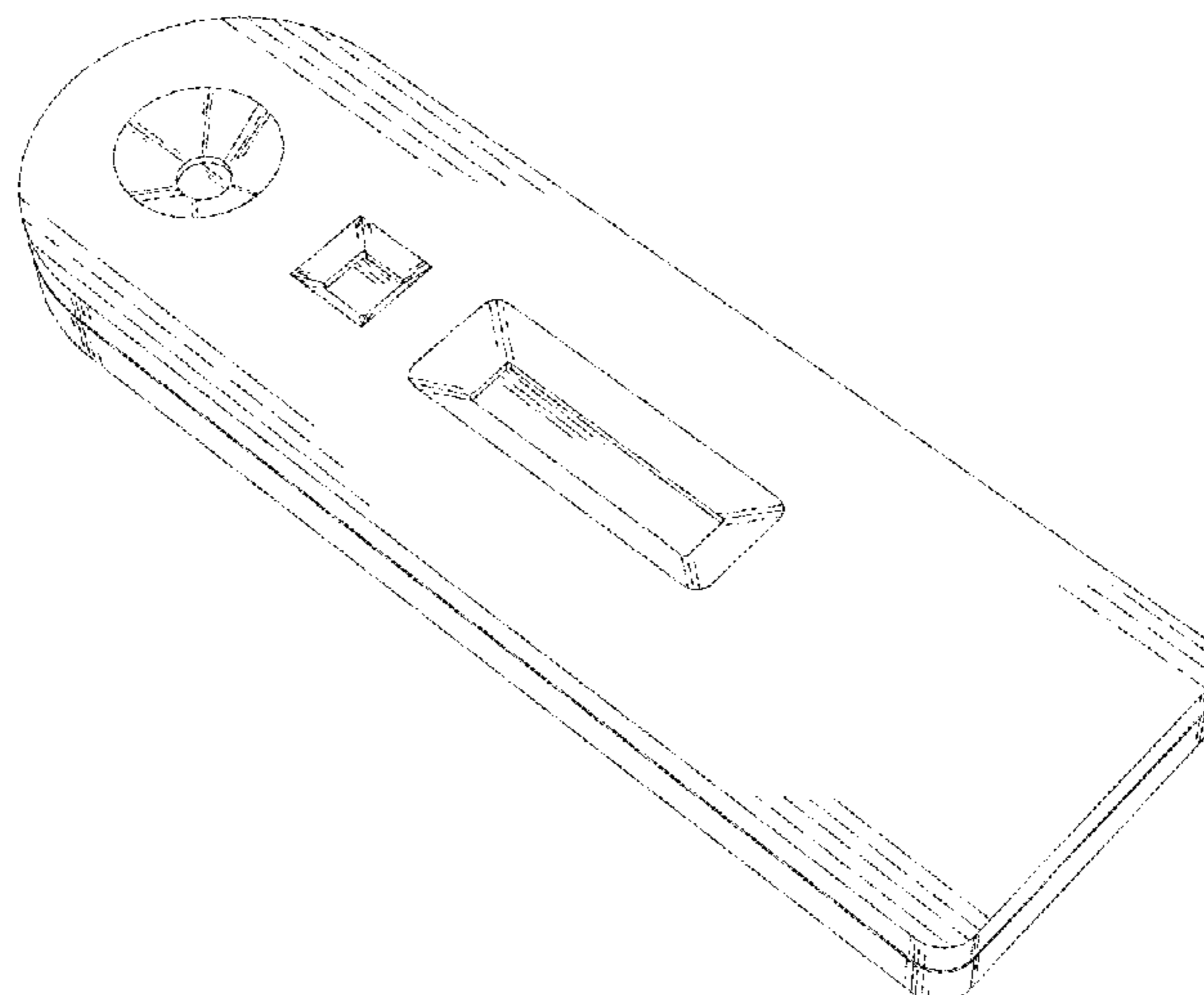
(57) **CLAIM**

The ornamental design for a COVID immunoassay test device, as shown and described.

DESCRIPTION

FIG. 1 is a front view of a COVID immunoassay test device according to the present design;
FIG. 2 is a rear view of the COVID immunoassay test device of FIG. 1;
FIG. 3 is a left view of the COVID immunoassay test device of FIG. 1;
FIG. 4 is a right view of the COVID immunoassay test device of FIG. 1;
FIG. 5 is a top view of the COVID immunoassay test device of FIG. 1;
FIG. 6 is a bottom view of the COVID immunoassay test device of FIG. 1;
FIG. 7 is a front perspective view of the COVID immunoassay test device of FIG. 1; and,
FIG. 8 is a rear perspective view of the COVID immunoassay test device of FIG. 1.

1 Claim, 8 Drawing Sheets



(56)

References Cited

U.S. PATENT DOCUMENTS

D765,264 S * 8/2016 Zin D24/223
D772,428 S * 11/2016 Fumito D24/225
D784,551 S * 4/2017 Todd D24/224
D855,825 S * 8/2019 Parsons D24/223
D894,422 S * 8/2020 Johnson D24/224
D910,871 S * 2/2021 Johnson D24/224
11,150,243 B2 * 10/2021 Johnson G01N 33/54373
2007/0092401 A1 * 4/2007 Liao G01N 33/558
422/400
2015/0064800 A1 * 3/2015 Chance G01N 33/6854
436/501
2018/0356393 A1 * 12/2018 Piasio G01N 33/558
2021/0325388 A1 * 10/2021 Ye G01N 33/56983

OTHER PUBLICATIONS

How Deadly Is COVID-19? New Stanford Study Raises as Many Questions as It Answers. Online, published date Apr. 20, 2020. Retrieved on Oct. 21, 2021 from URL: <https://www.extremetech.com/extreme/309500-how-deadly-is-covid-19-new-stanford-study-raises-questions>.*

* cited by examiner

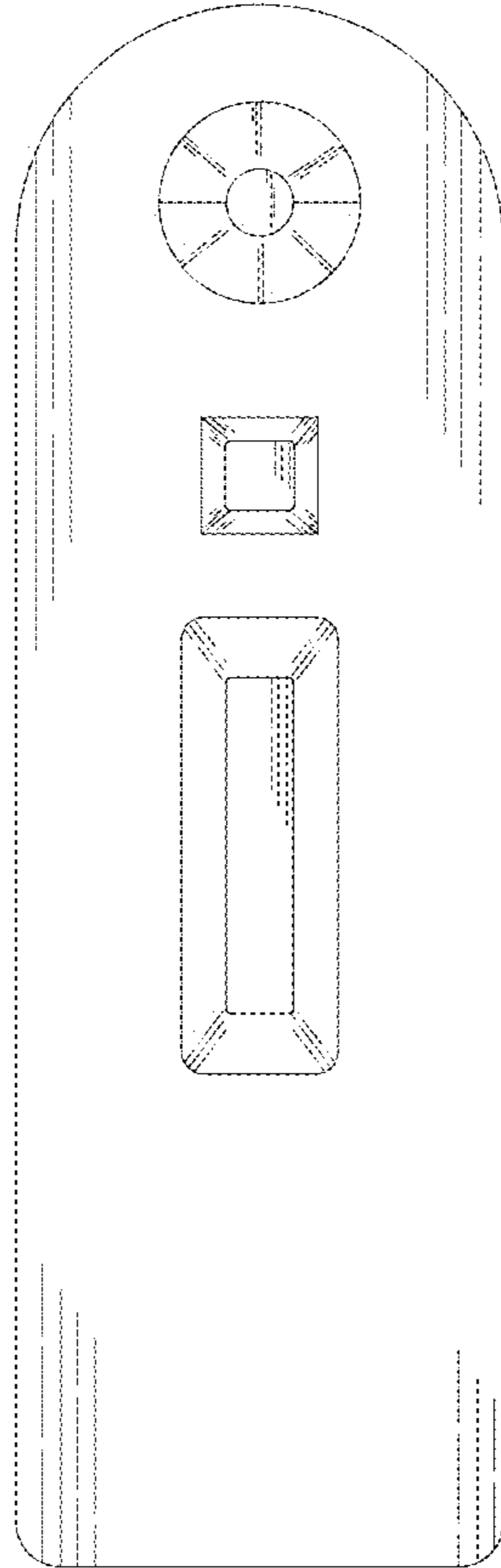


FIG. 1

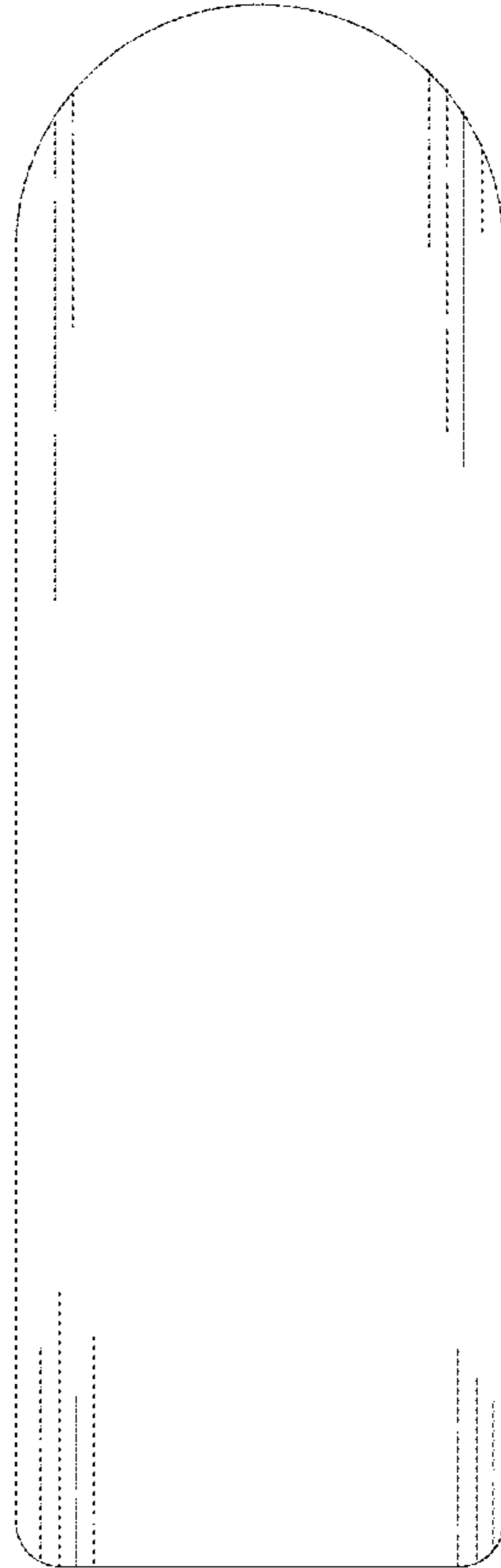


FIG. 2

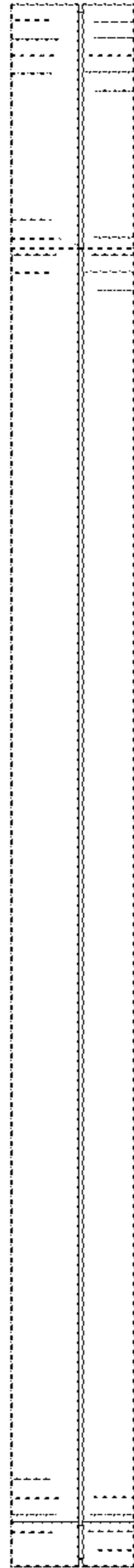


FIG. 3

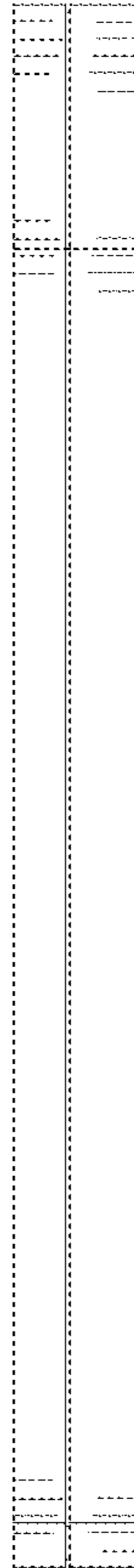


FIG. 4

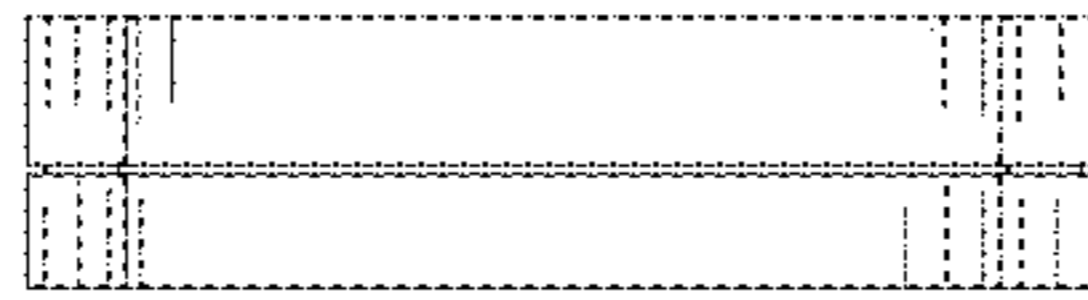


FIG. 5

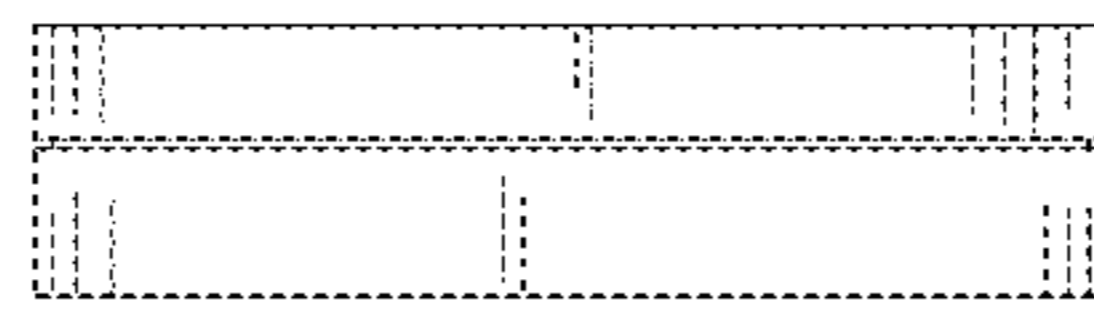


FIG. 6

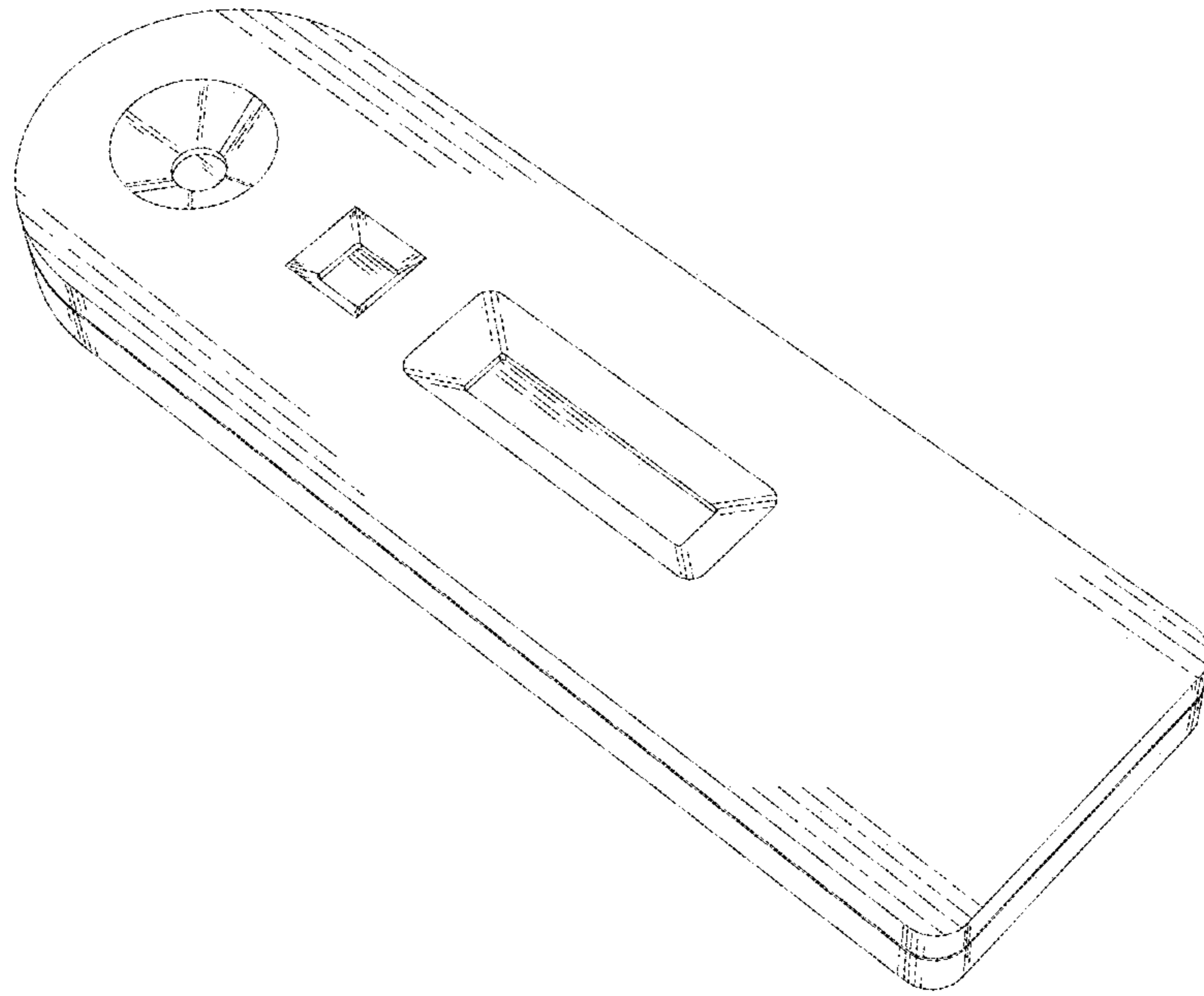


FIG. 7

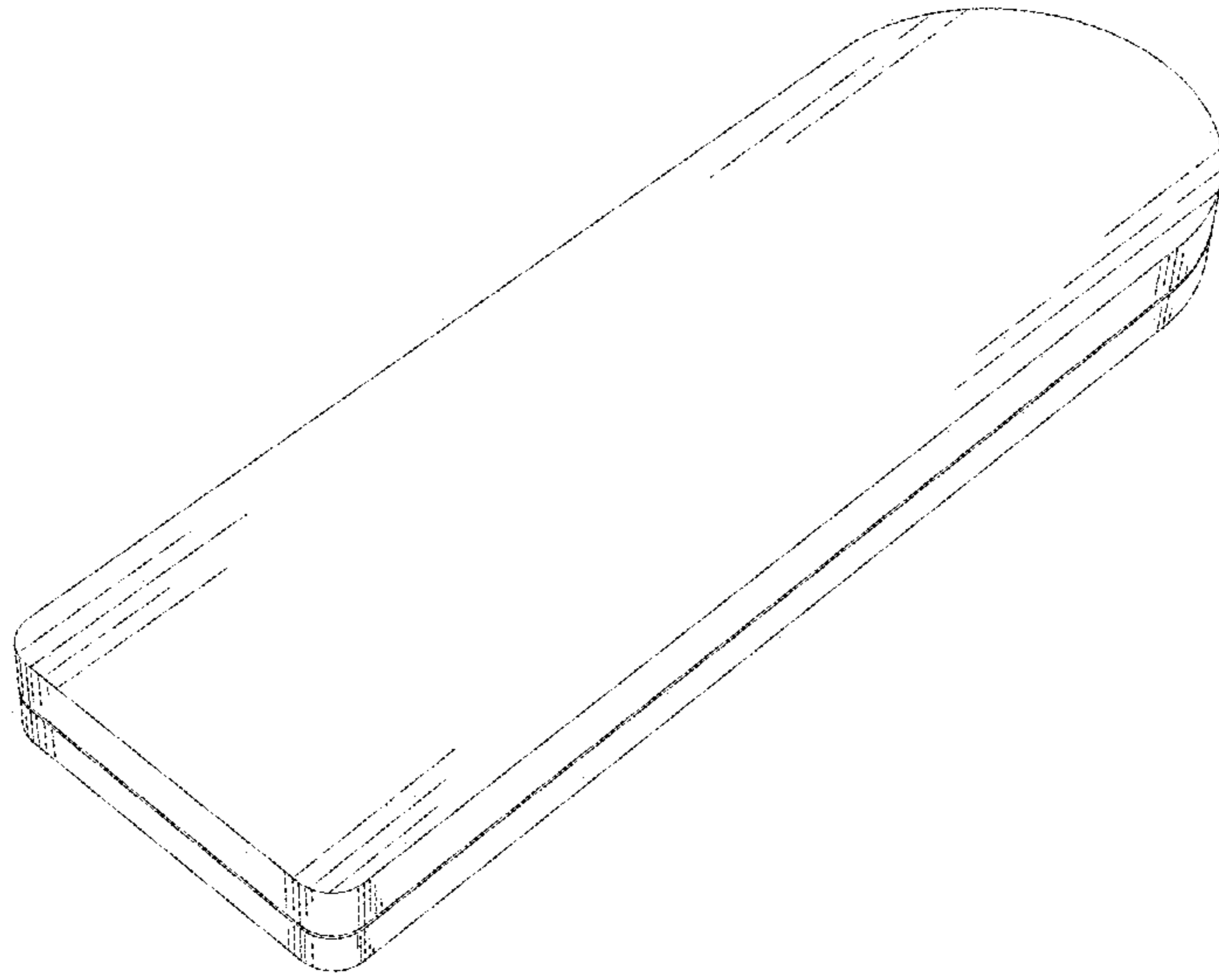


FIG. 8