



US00D954975S

(12) **United States Design Patent**  
**Potter et al.**

(10) **Patent No.:** **US D954,975 S**  
(45) **Date of Patent:** **\*\* Jun. 14, 2022**

- (54) **DUAL PRONE LEG SUPPORT**
- (71) Applicant: **BONE FOAM, INC.**, Corcoran, MN (US)
- (72) Inventors: **Jeffrey M. Potter**, Vancouver (CA); **Benjamin J. Watters, III**, Saint Louis Park, MN (US); **Clinton J. McCullough**, Blaine, MN (US); **Peter A. Cole, Jr.**, North Oaks, MN (US)
- (73) Assignee: **BONE FOAM, INC.**, Corcoran, MN (US)
- (\*\*) Term: **15 Years**
- (21) Appl. No.: **29/761,253**
- (22) Filed: **Dec. 8, 2020**
- (51) **LOC (13) Cl.** ..... **24-02**
- (52) **U.S. Cl.**  
USPC ..... **D24/190; D24/171; D24/183**
- (58) **Field of Classification Search**  
USPC .... D24/171, 183, 184, 190-192; D29/120.1, D29/121.1, 122, 121.2; D6/596-604  
CPC .... A61F 5/0111; A61F 5/0127; A61F 13/066; A61F 2/6607; A61F 5/37; A47G 9/10; A47C 20/021; A47C 20/023; A47C 16/00; A47C 20/026; A47C 20/027; A61G 7/0755; A61G 13/121; A61G 7/075; A61G 13/1235  
See application file for complete search history.

- D733,897 S \* 7/2015 Rossouw ..... D24/184
- D871,593 S \* 12/2019 Rossouw ..... D24/190
- D875,437 S \* 2/2020 Nicholson ..... D6/601
- D898,430 S \* 10/2020 Kulik ..... D6/601
- D929,153 S \* 8/2021 Carver ..... D6/601
- D930,401 S \* 9/2021 Ye ..... D6/601

**FOREIGN PATENT DOCUMENTS**

CN 202030438089.6 \* 11/2020

**OTHER PUBLICATIONS**

Product Catalog. Online, published date unknown. Retrieved on Oct. 31, 2021 from URL: [https://www.bonefoam.com/wp-content/uploads/2020/11/BF\\_Catalog\\_102020\\_web.pdf](https://www.bonefoam.com/wp-content/uploads/2020/11/BF_Catalog_102020_web.pdf).\*

Sloped Knee Lift By Relax the Back. Online, published date unknown. Retrieved on Oct. 31, 2021 from URL: [https://relaxtheback.com/products/sloped-knee-lift?variant=14774680944699&gclid=EAlalQobChMI0rDpgZz18wlVgfGzChORgAAgEAsYBSABEgLnY\\_D\\_BwE](https://relaxtheback.com/products/sloped-knee-lift?variant=14774680944699&gclid=EAlalQobChMI0rDpgZz18wlVgfGzChORgAAgEAsYBSABEgLnY_D_BwE).\*

\* cited by examiner

*Primary Examiner* — Omeed Agilee

(74) *Attorney, Agent, or Firm* — Workman Nydegger

(57) **CLAIM**

The ornamental design for a dual prone leg support, as shown and described.

**DESCRIPTION**

FIG. 1 is a front, right perspective view of a dual prone leg support;

FIG. 2 is a front elevation view thereof;

FIG. 3 is a rear elevation view thereof;

FIG. 4 is a top plan view thereof;

FIG. 5 is a bottom plan view thereof;

FIG. 6 is a right side elevation view thereof; and,

FIG. 7 is a left side elevation view thereof.

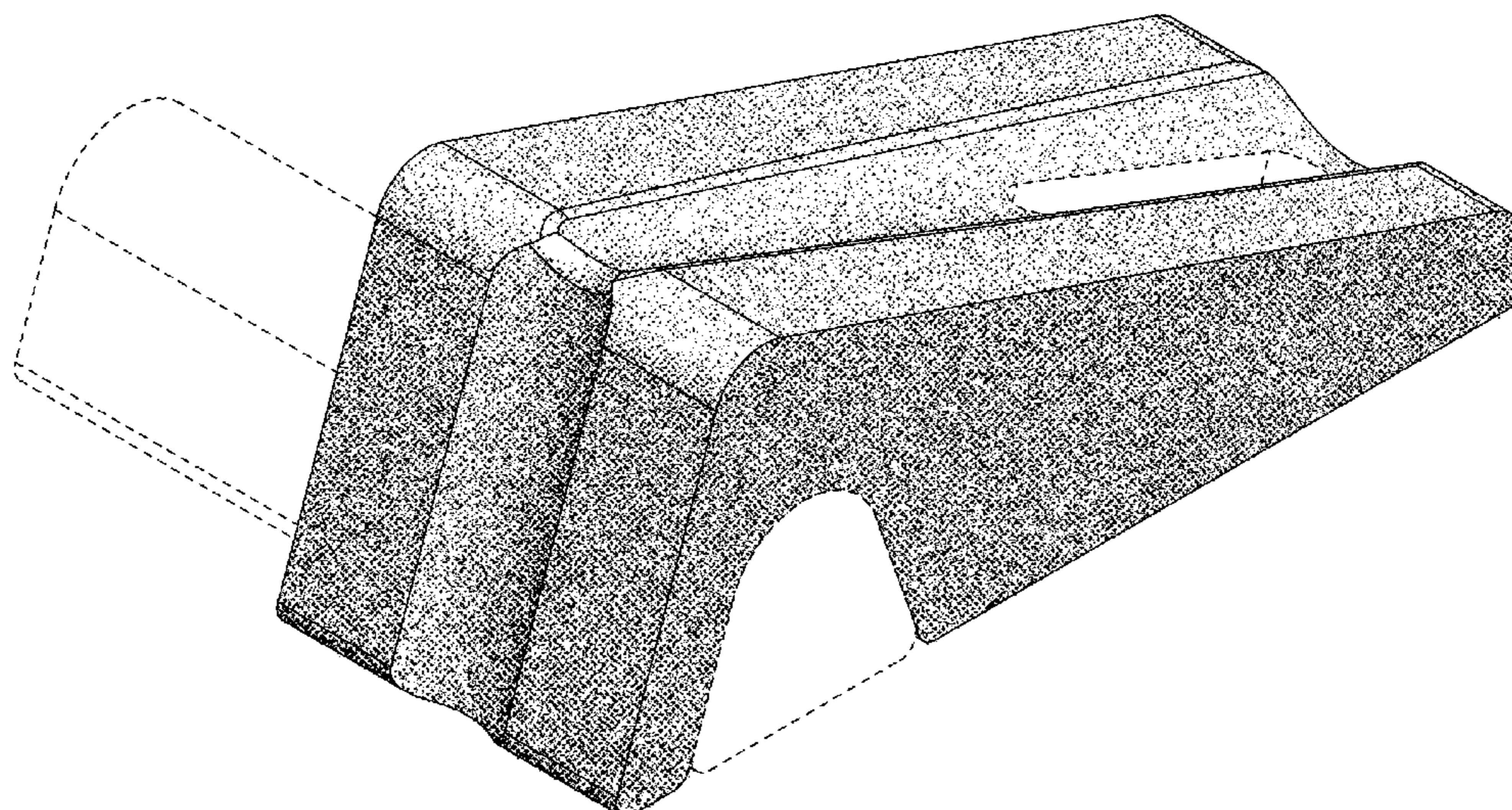
The broken lines in the drawings depict portions of the dual prone leg support that form no part of the claimed design.

**1 Claim, 5 Drawing Sheets**

(56) **References Cited**

**U.S. PATENT DOCUMENTS**

- 3,946,451 A \* 3/1976 Spann ..... A61G 7/0755
- D345,797 S \* 4/1994 Gardner ..... 5/650
- D383,637 S \* 9/1997 Musco ..... D6/601
- D386,643 S \* 11/1997 Farrell ..... D6/596
- D407,259 S \* 3/1999 Jackson ..... D6/604
- D642,280 S \* 7/2011 Goumas ..... D24/190
- D642,694 S \* 8/2011 Sharps ..... D24/183



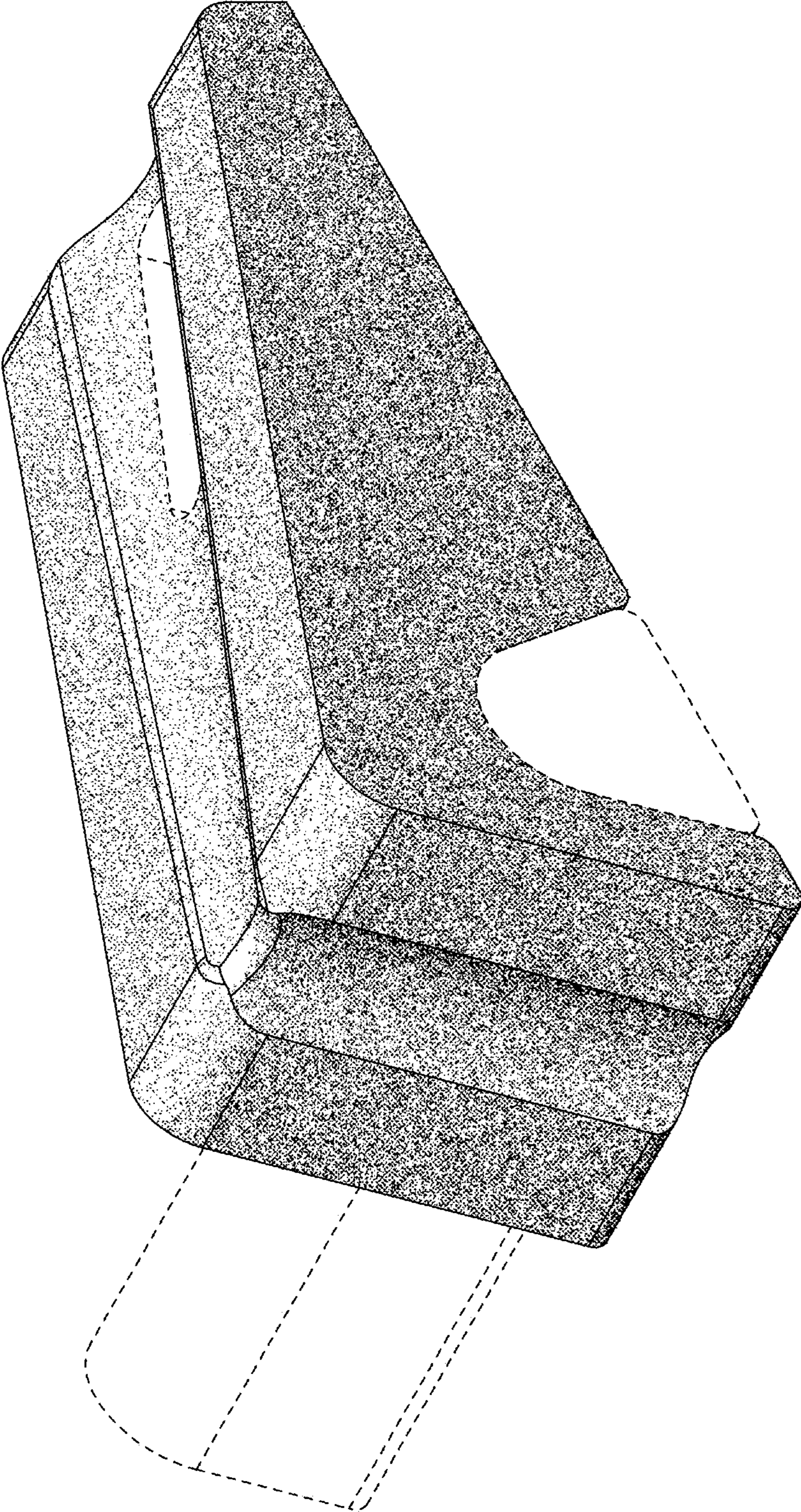
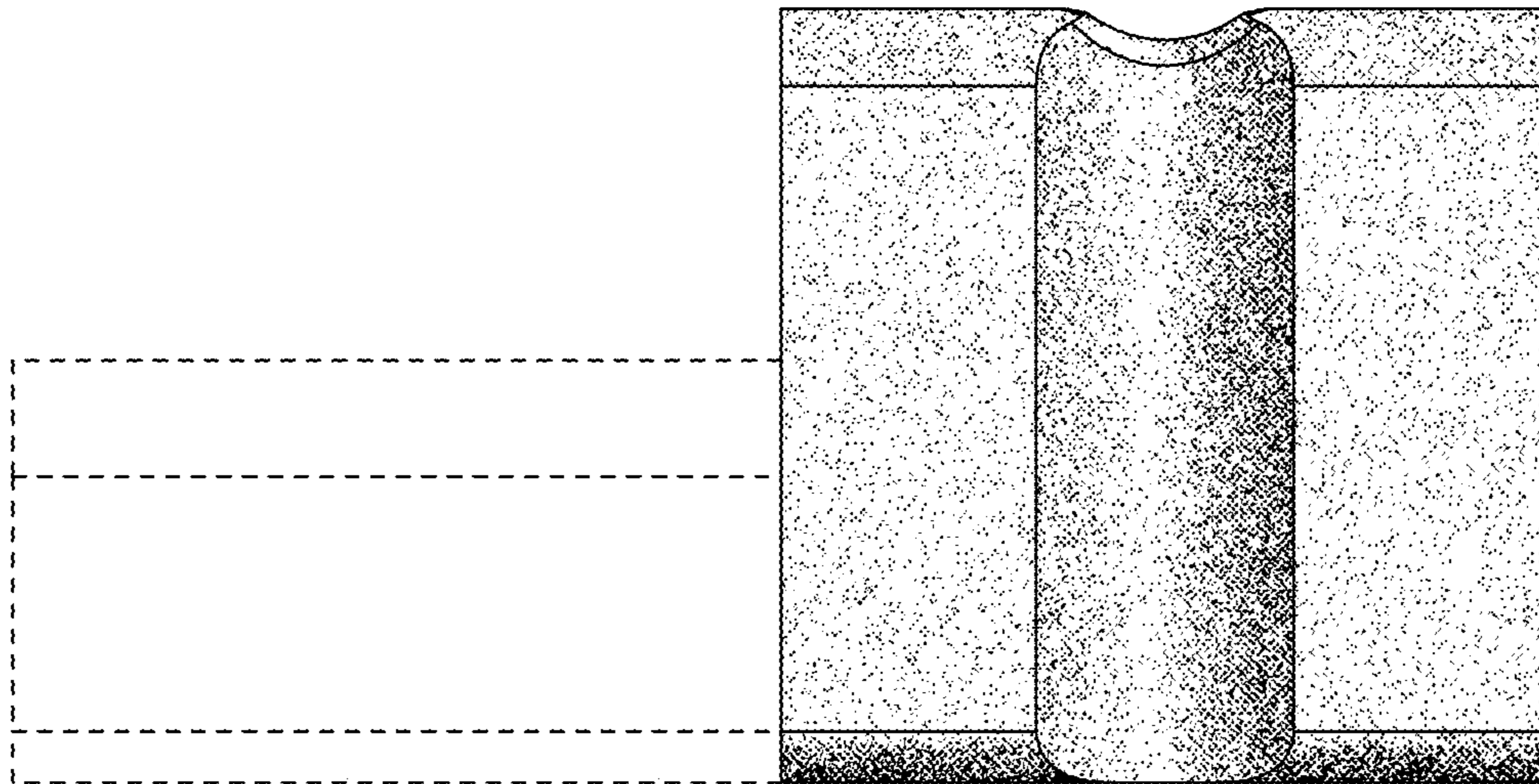
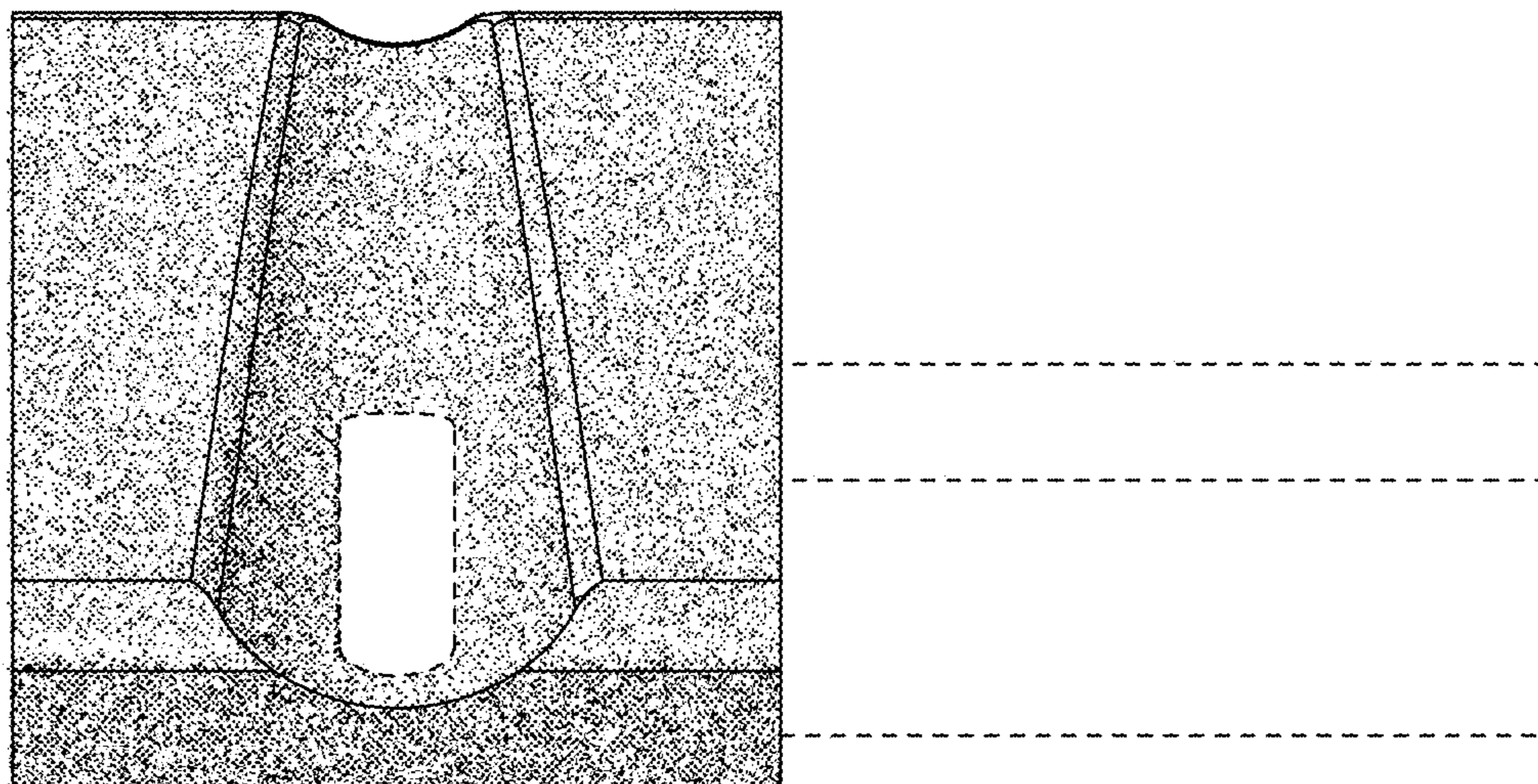


FIG. 1



**FIG. 2**



**FIG. 3**

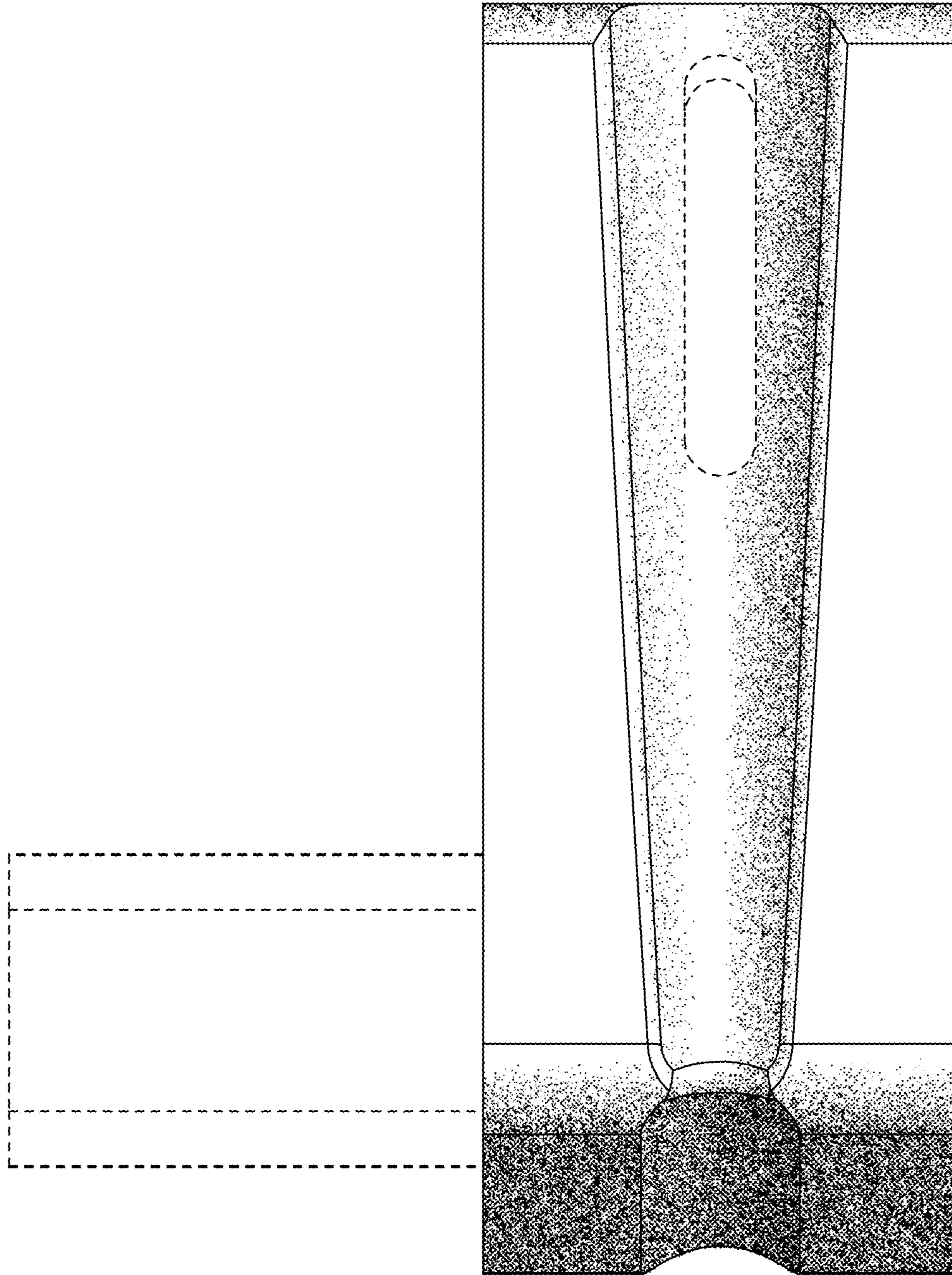
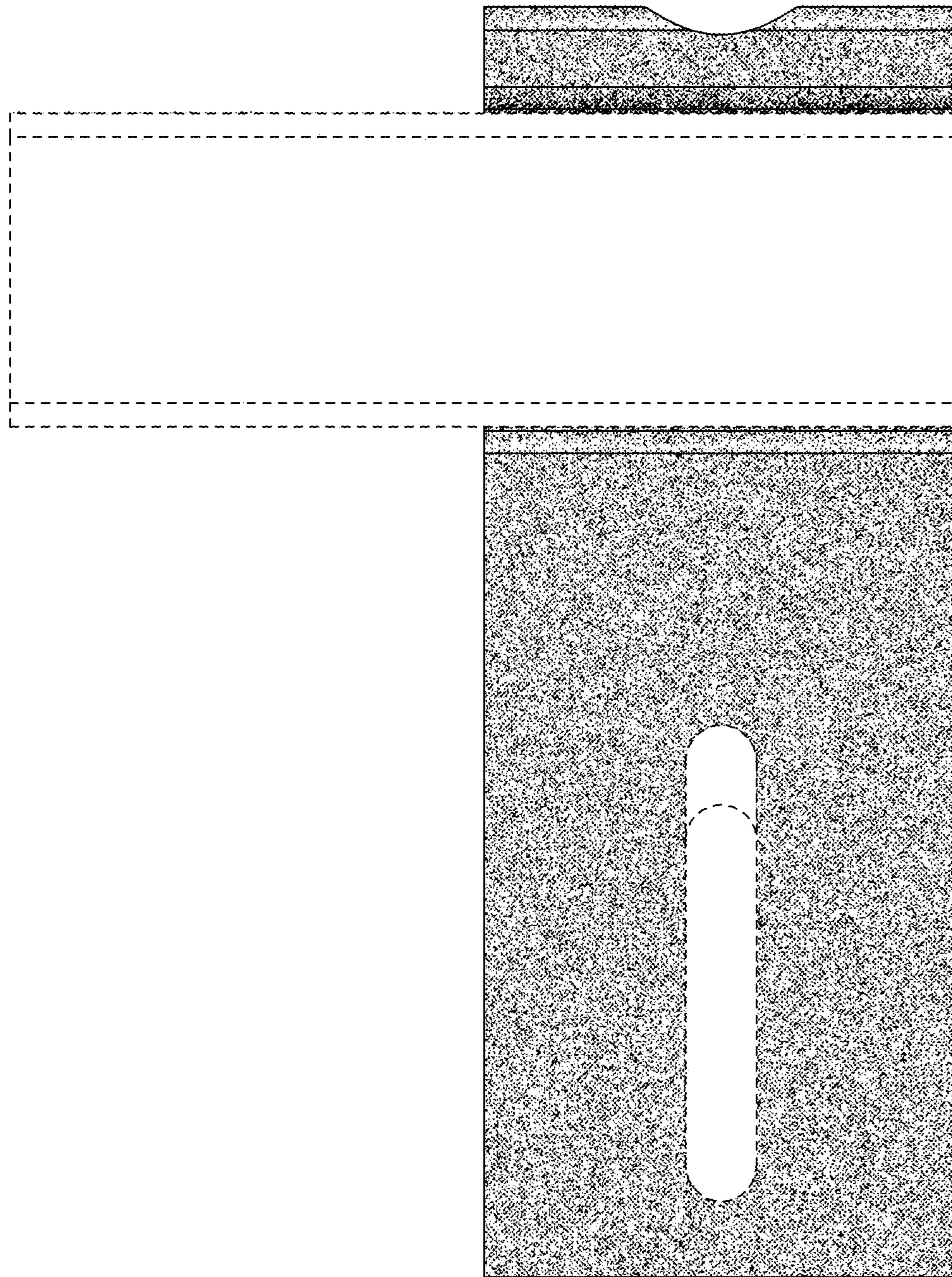


FIG. 4



**FIG. 5**

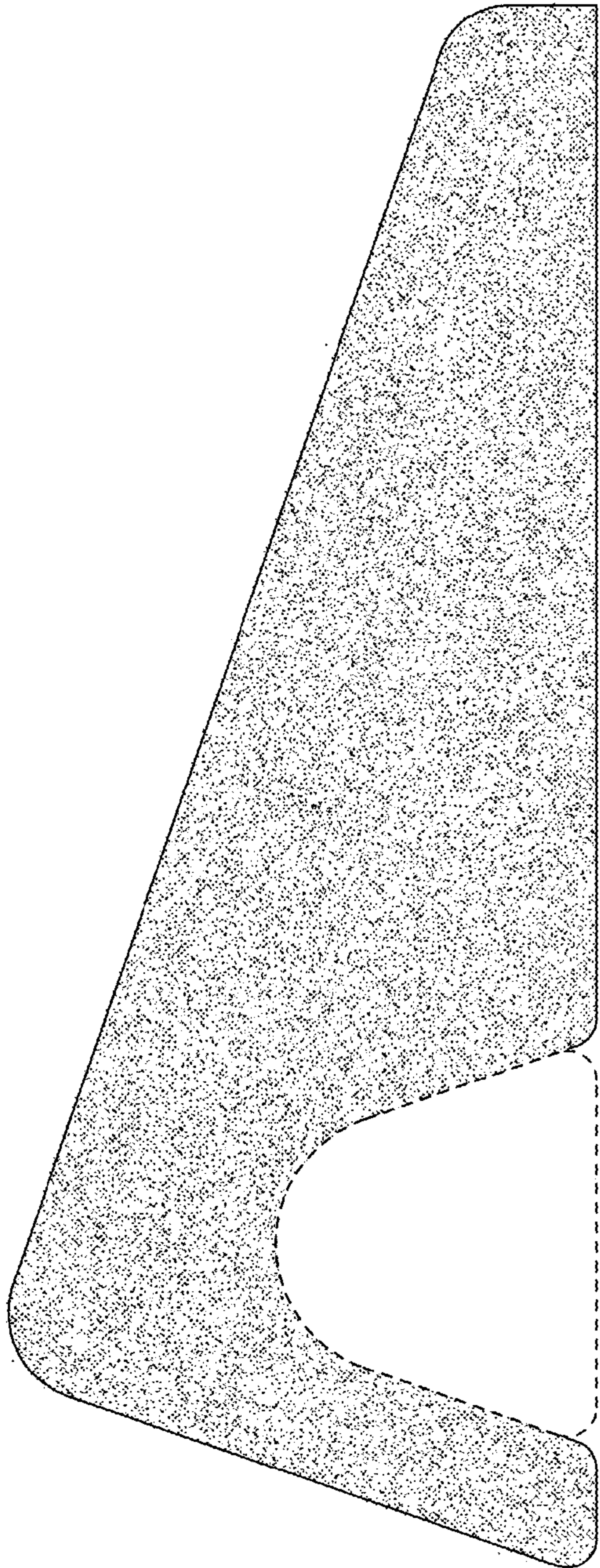


FIG. 6

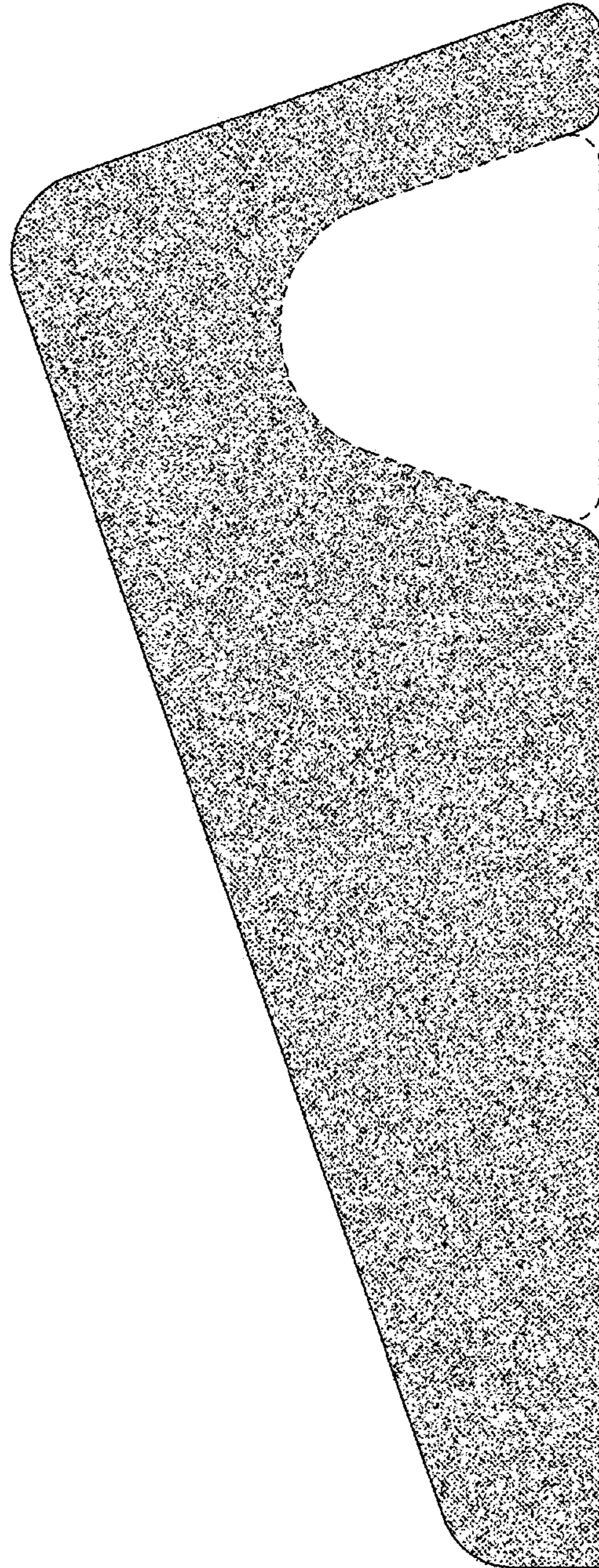


FIG. 7