



US00D954974S

(12) **United States Design Patent** (10) **Patent No.:** **US D954,974 S**
Watters, III et al. (45) **Date of Patent:** **** Jun. 14, 2022**

(54) **LATERAL DECUBITUS LEG SUPPORT DEVICE**

(71) Applicant: **BONE FOAM, INC.**, Corcoran, MN (US)

(72) Inventors: **Benjamin J. Watters, III**, Saint Louis Park, MN (US); **Clinton J. McCullough**, Blaine, MN (US); **Peter A. Cole, Jr.**, North Oaks, MN (US)

(73) Assignee: **BONE FOAM, INC.**, Corcoran, MN (US)

(**) Term: **15 Years**

(21) Appl. No.: **29/726,630**

(22) Filed: **Mar. 4, 2020**

(51) **LOC (13) Cl.** **24-02**

(52) **U.S. Cl.**
USPC **D24/190; D24/184**

(58) **Field of Classification Search**
USPC D24/183, 184, 190-192; D29/120.1, D29/121.1, 122, 121.2; D6/596-604
CPC A61F 5/0111; A61F 5/0127; A61F 13/066; A61F 2/6607; A61F 5/37; A47G 9/10; A47C 20/021; A47C 20/023; A47C 16/00; A47C 20/026; A47C 20/027; A61G 7/0755; A61G 13/121; A61G 7/075; A61G 13/1235

See application file for complete search history.

(56) **References Cited**

U.S. PATENT DOCUMENTS

- 3,946,451 A * 3/1976 Spann A61G 7/0755 5/650
- D296,932 S * 7/1988 Traghese D24/183
- D311,109 S * 10/1990 Geschwender D6/601
- D359,804 S * 6/1995 Carter D24/183
- D442,006 S * 5/2001 Miller D6/601
- D625,421 S * 10/2010 Sharps D24/184

- D642,280 S * 7/2011 Goumas D24/190
- D728,799 S * 5/2015 Ravikumar D24/184
- D733,897 S * 7/2015 Rossouw D24/190
- D736,391 S * 8/2015 Johnson D24/184
- D741,488 S * 10/2015 Tohmeh D24/155
- D754,990 S * 5/2016 Velasquez D6/601
- D783,834 S * 4/2017 Johnson D24/184
- D879,295 S * 3/2020 Abbasi D24/155
- D879,989 S * 3/2020 Mollohan D24/215
- D885,589 S * 5/2020 Marcil D24/190
- 2015/0328393 A1 * 11/2015 Stephens A61G 7/0755 4/621

OTHER PUBLICATIONS

Lateral Bolster. Online, published date unknown. Retrieved on Jul. 12, 2021 from URL: <https://www.bonefoam.com/product/lateral-leg-bolster/>.*

* cited by examiner

Primary Examiner — Omeed Agilee

(74) *Attorney, Agent, or Firm* — Workman Nydegger

(57) **CLAIM**

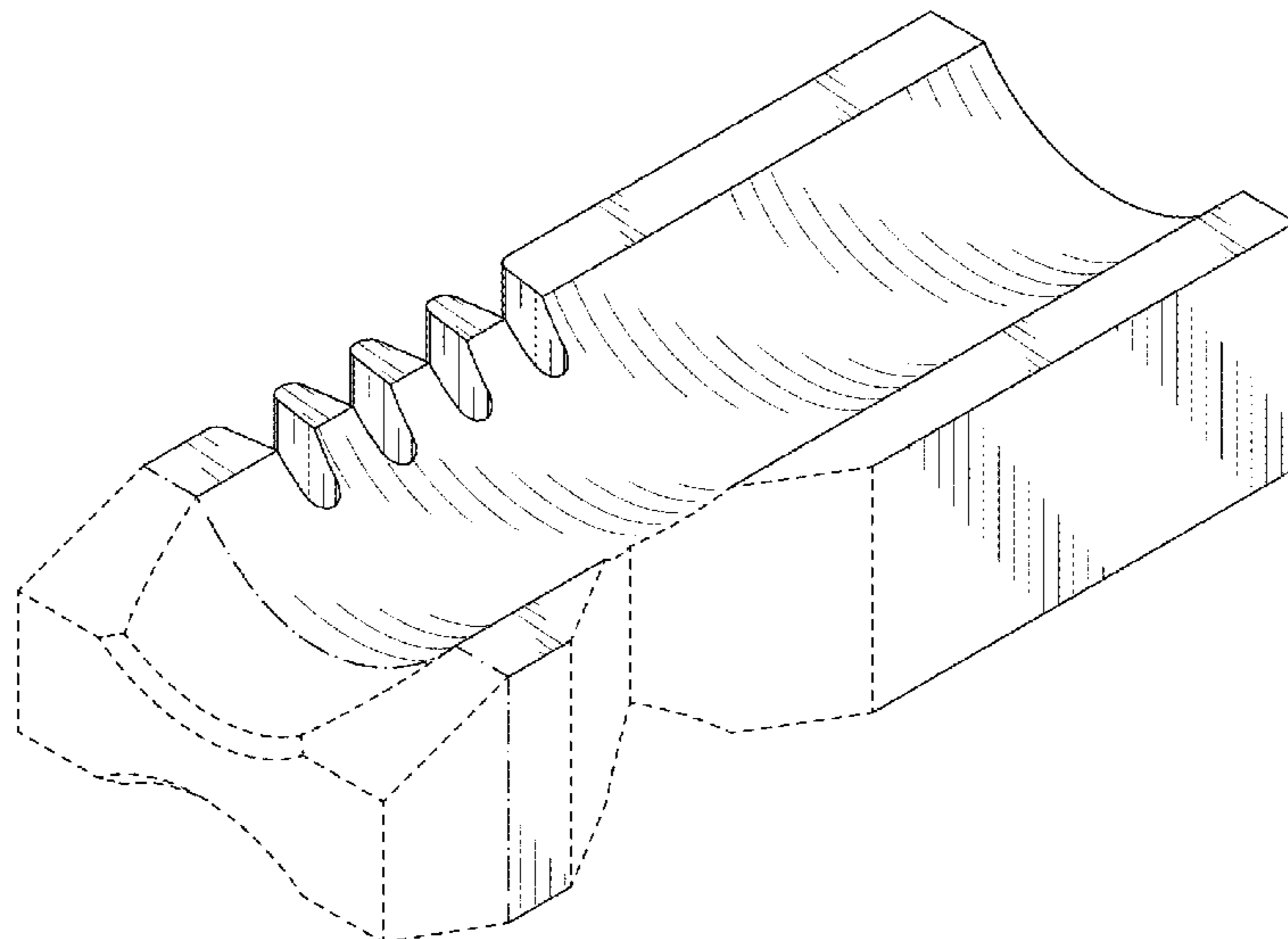
The ornamental design for a lateral decubitus leg support device, as shown and described.

DESCRIPTION

FIG. 1 is a front, right perspective view of a lateral decubitus leg support device;
FIG. 2 is a front elevation view thereof;
FIG. 3 is a rear elevation view thereof;
FIG. 4 is a top plan view thereof;
FIG. 5 is a bottom plan view thereof;
FIG. 6 is a right side elevation view thereof; and,
FIG. 7 is a left side elevation view thereof.

The dash lines in the drawings depict portions of the lateral decubitus leg support device that form no part of the claimed design. The dot dash dot broken lines depict the boundaries of the claim and form no part thereof.

1 Claim, 3 Drawing Sheets



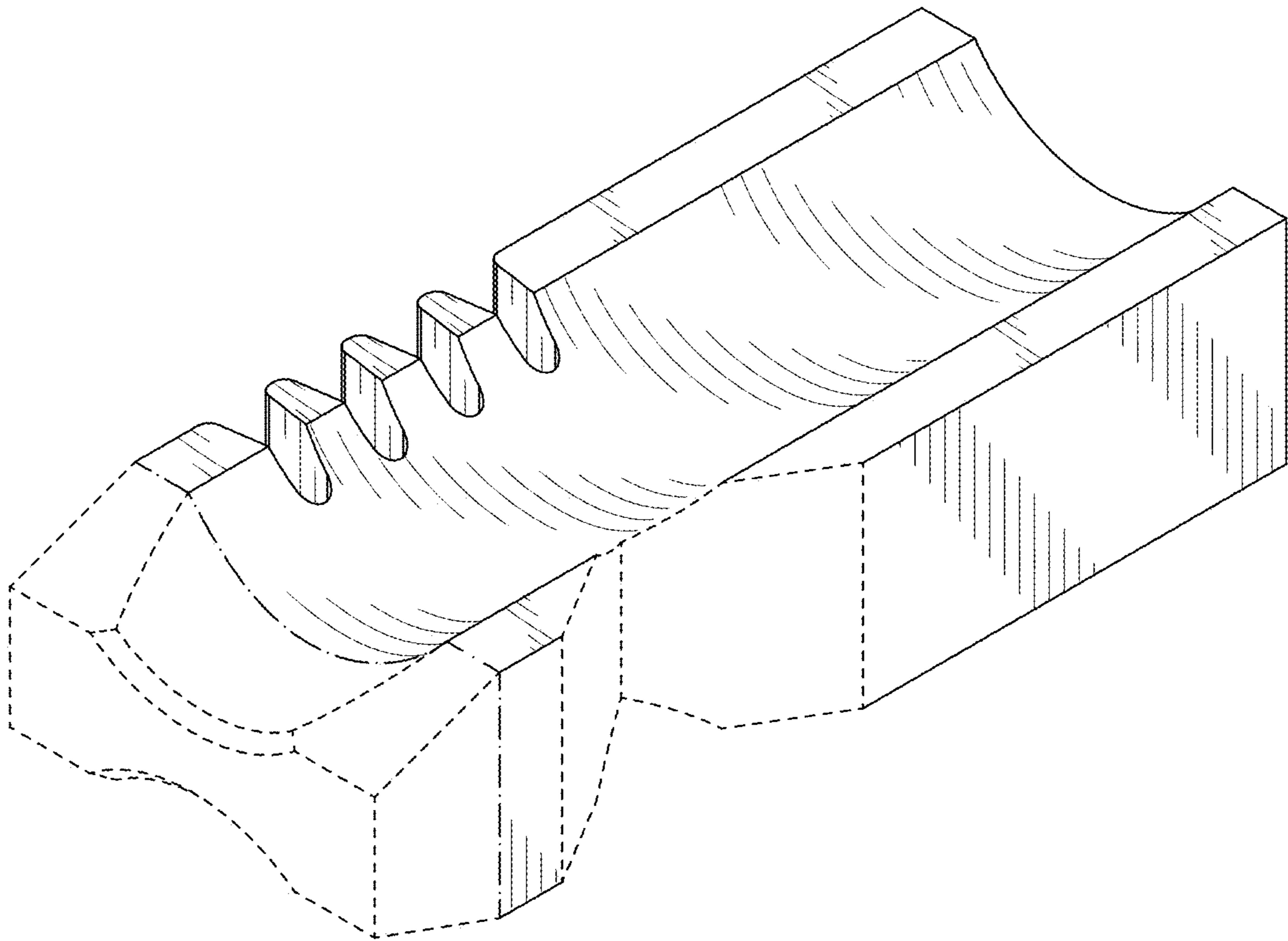


FIG. 1

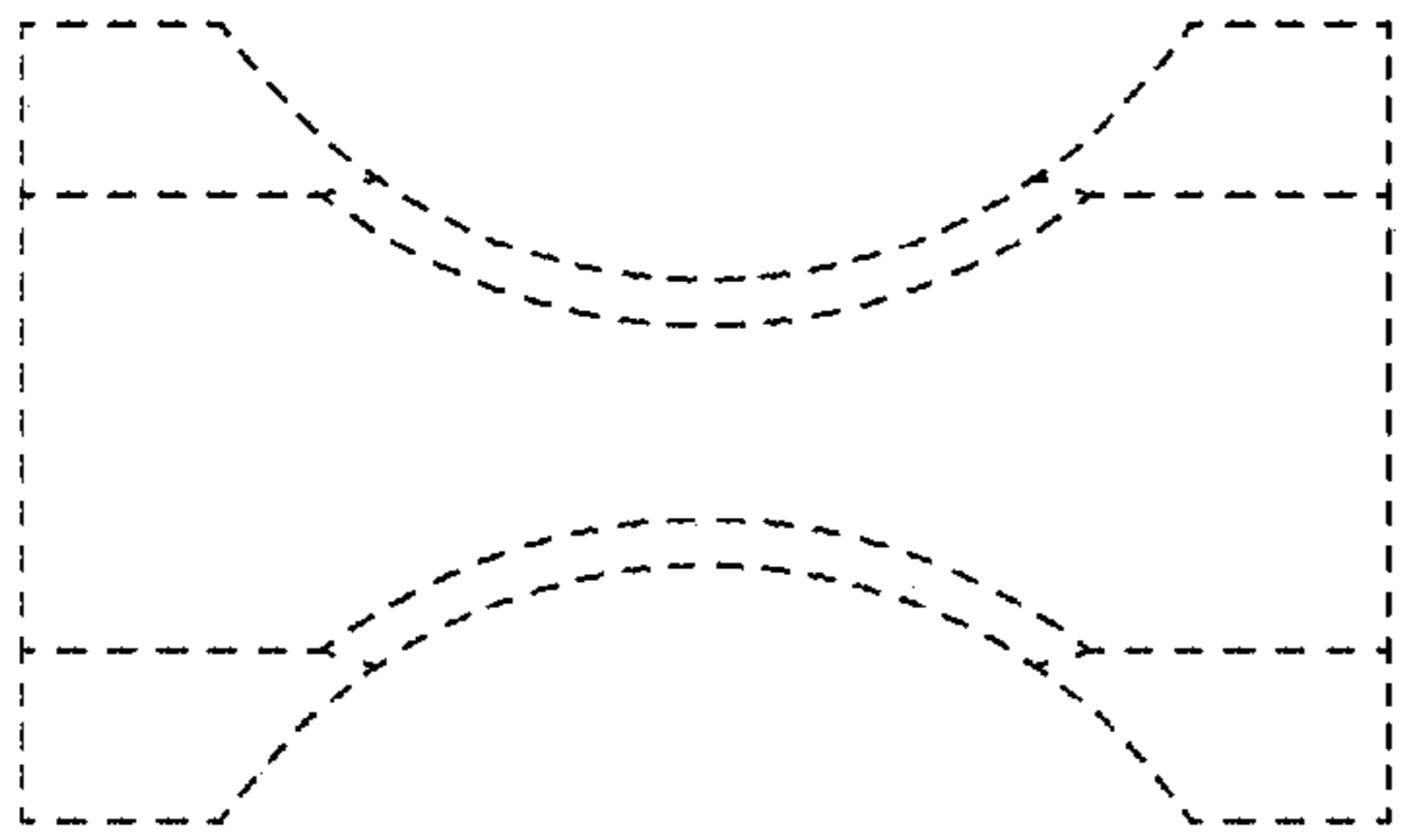


FIG. 2

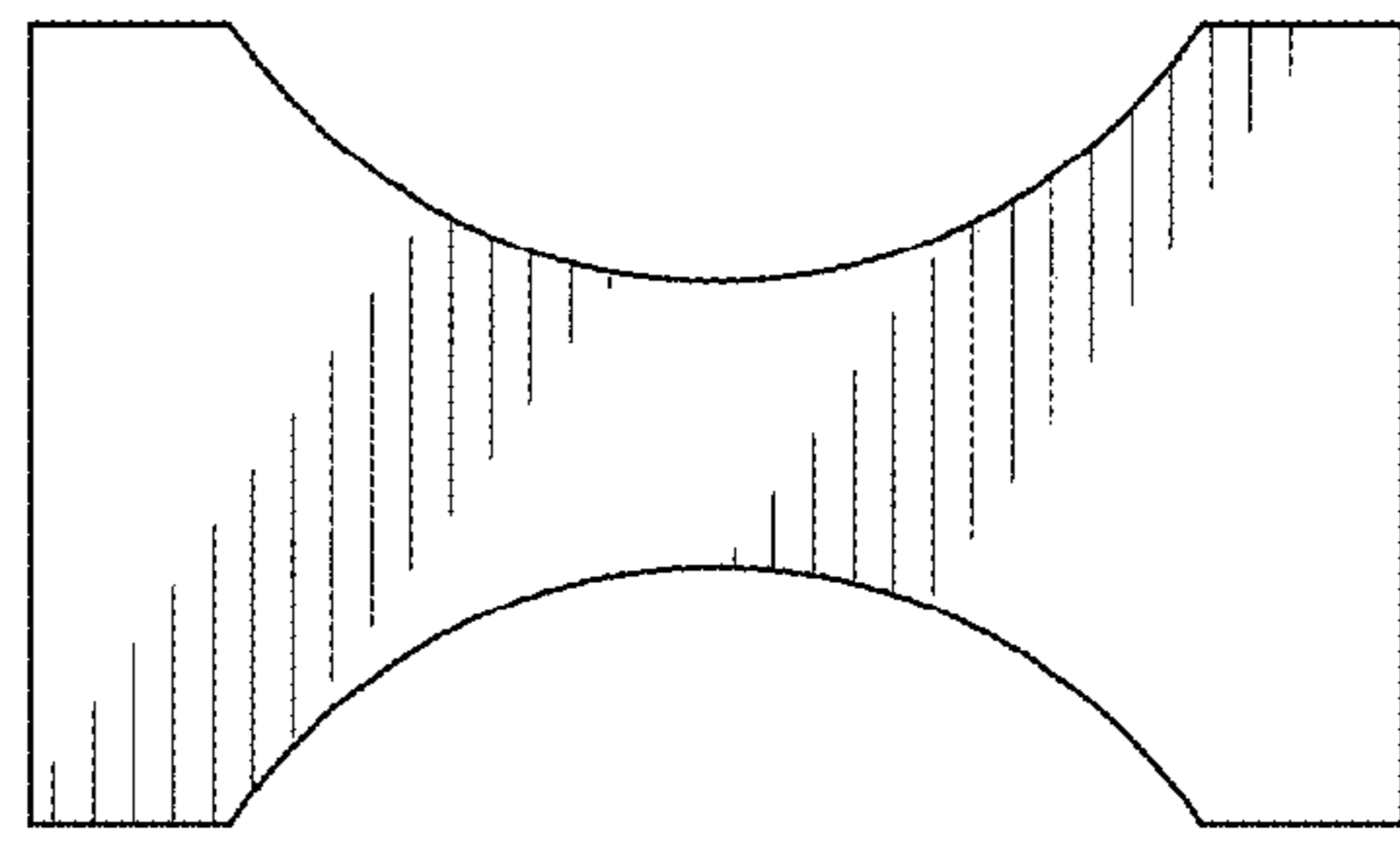


FIG. 3

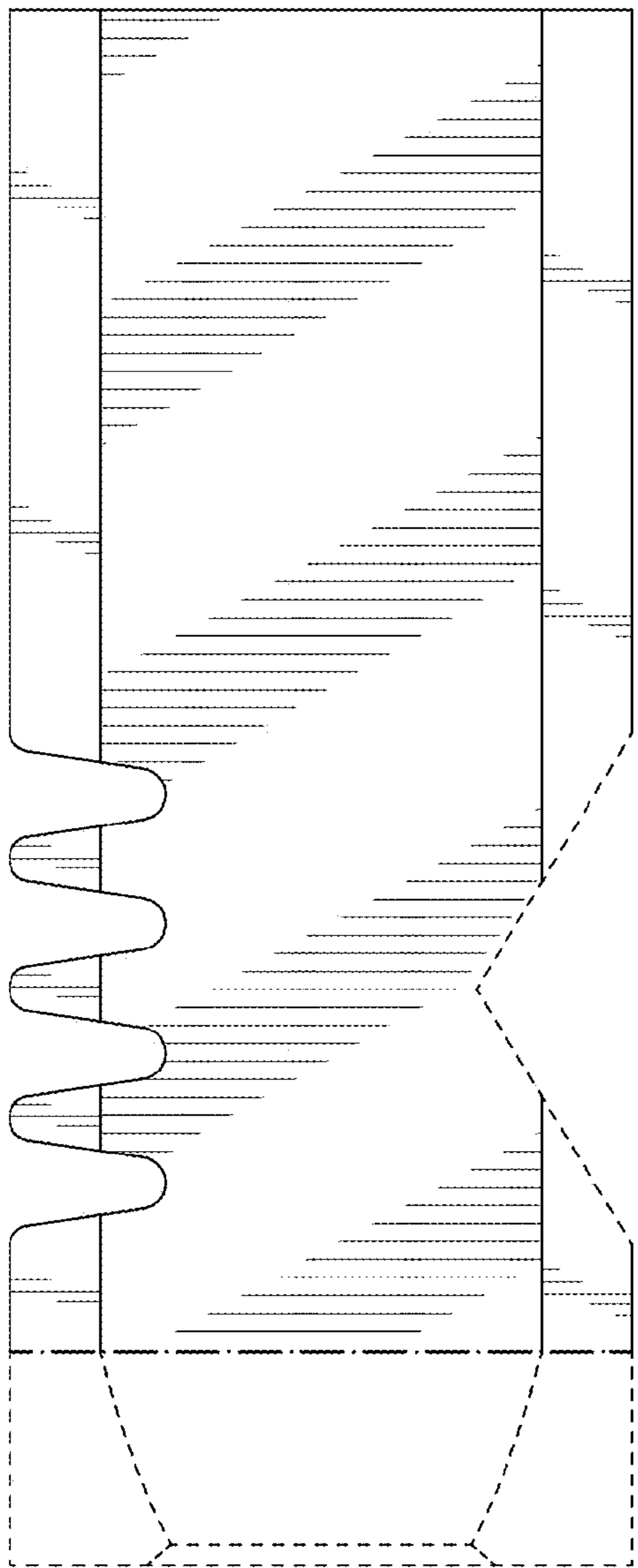


FIG. 4

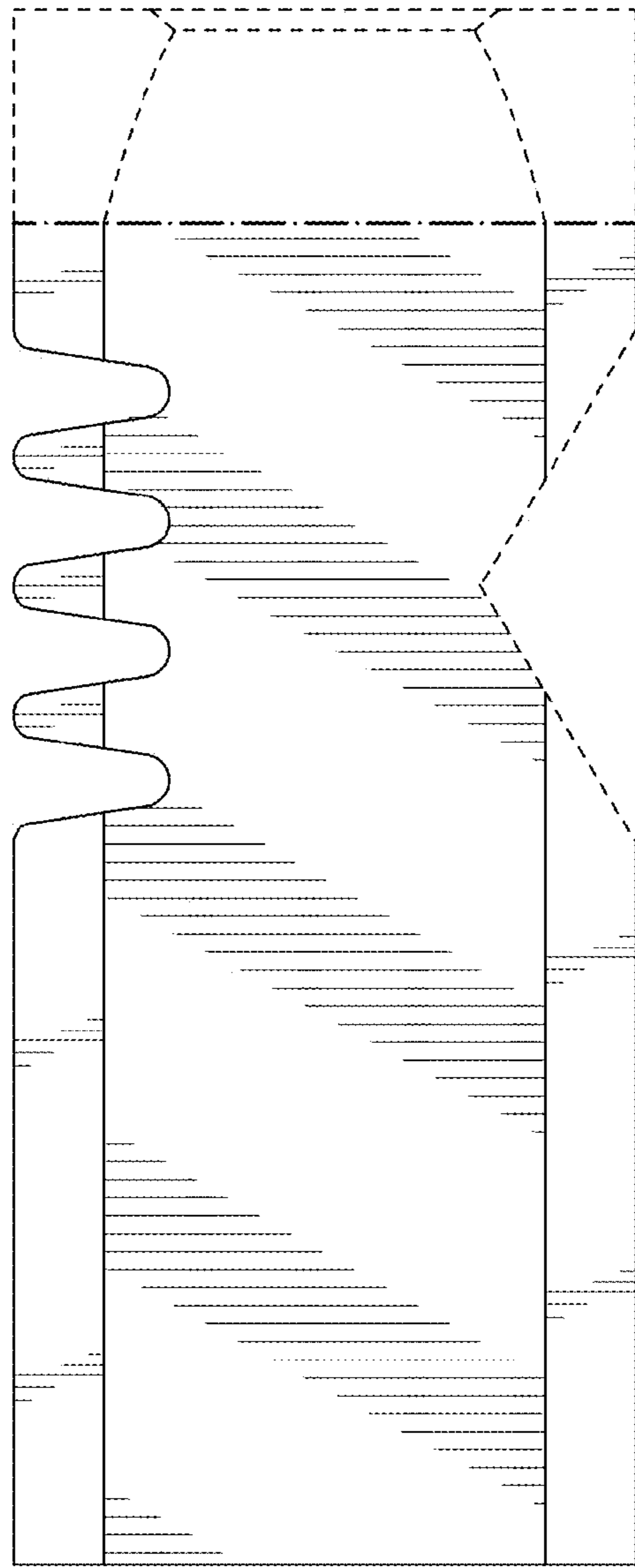


FIG. 5

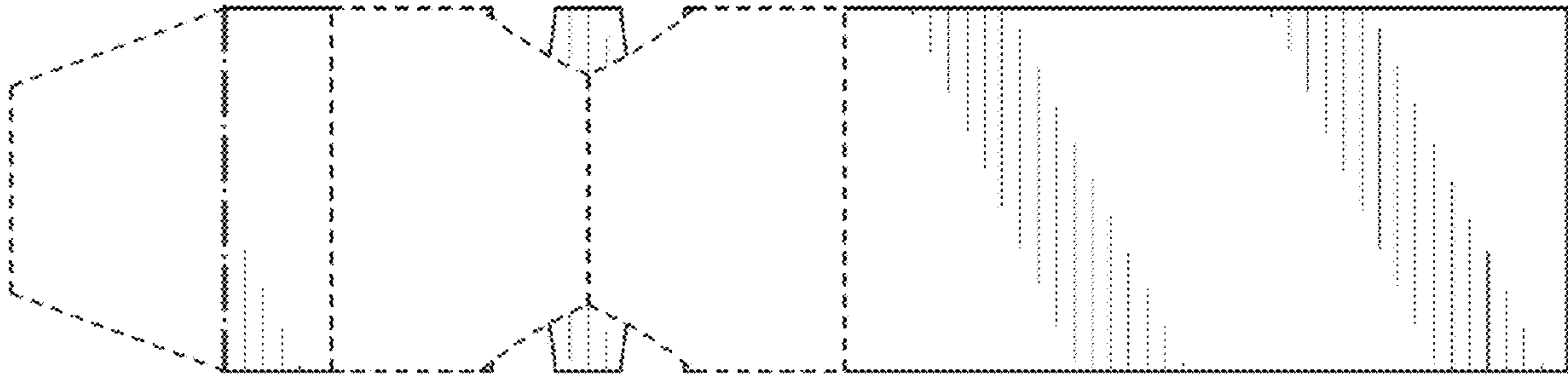


FIG. 6

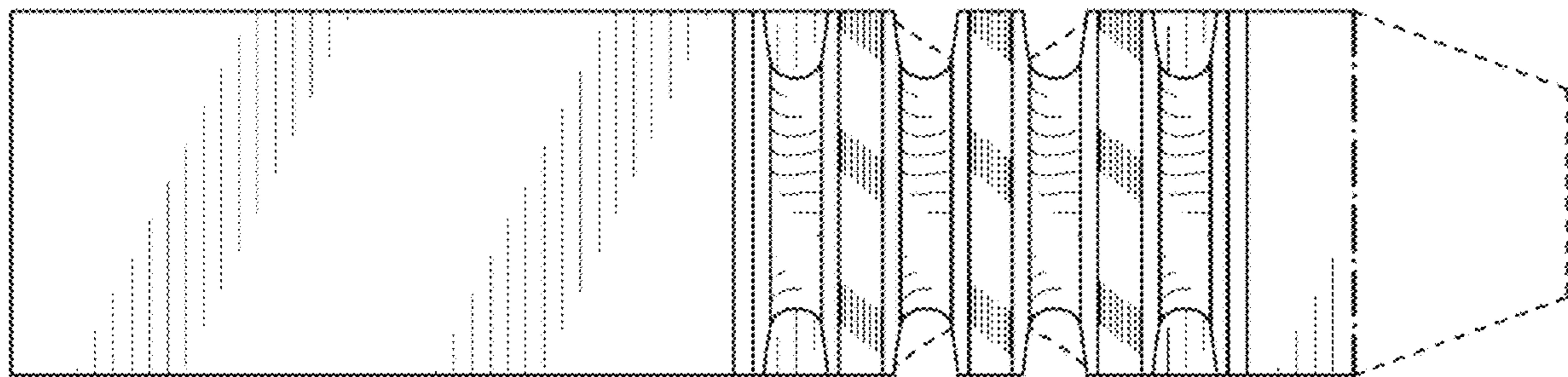


FIG. 7