



US00D954967S

(12) **United States Design Patent**
Watters, III et al.

(10) **Patent No.:** **US D954,967 S**
(45) **Date of Patent:** **** Jun. 14, 2022**

- (54) **DUAL LEG SUPPORT DEVICE**
- (71) Applicant: **BONE FOAM, INC.**, Corcoran, MN (US)
- (72) Inventors: **Benjamin J. Watters, III**, Saint Louis Park, MN (US); **Clinton J. McCullough**, Blaine, MN (US); **Peter A. Cole, Jr.**, North Oaks, MN (US)
- (73) Assignee: **BONE FOAM, INC.**, Corcoran, MN (US)

D383,637 S *	9/1997	Musco	D6/601
D386,643 S *	11/1997	Farrell	D6/596
D407,259 S *	3/1999	Jackson	D6/604
D642,280 S *	7/2011	Goumas	D24/190
D642,694 S *	8/2011	Sharps	D24/190
D733,897 S *	7/2015	Rossouw	D24/190
D871,593 S *	12/2019	Rossouw	D24/190
D875,437 S *	2/2020	Nicholson	D6/601
D898,430 S *	10/2020	Kulik	D6/601

(**) Term: **15 Years**

(21) Appl. No.: **29/725,128**

(22) Filed: **Feb. 21, 2020**

(51) **LOC (13) Cl.** **24-02**

(52) **U.S. Cl.**
USPC **D24/184**; D24/190

(58) **Field of Classification Search**
USPC D24/183, 184, 190-192; D29/120.1,
D29/121.1, 122, 121.2; D6/596-604
CPC A61F 5/0111; A61F 5/0127; A61F 13/066;
A61F 2/6607; A61F 5/37; A47G 9/10;
A47C 20/021; A47C 20/023; A47C
16/00; A47C 20/026; A47C 20/027;
A61G 7/0755; A61G 13/121; A61G
7/075; A61G 13/1235

See application file for complete search history.

(56) **References Cited**

U.S. PATENT DOCUMENTS

3,946,451 A *	3/1976	Spann	A61G 7/0755
				5/650
D345,797 S *	4/1994	Gardner	5/648

FOREIGN PATENT DOCUMENTS

KR 3020140027421 * 6/2015

* cited by examiner

Primary Examiner — Omeed Agilee

(74) *Attorney, Agent, or Firm* — Workman Nydegger

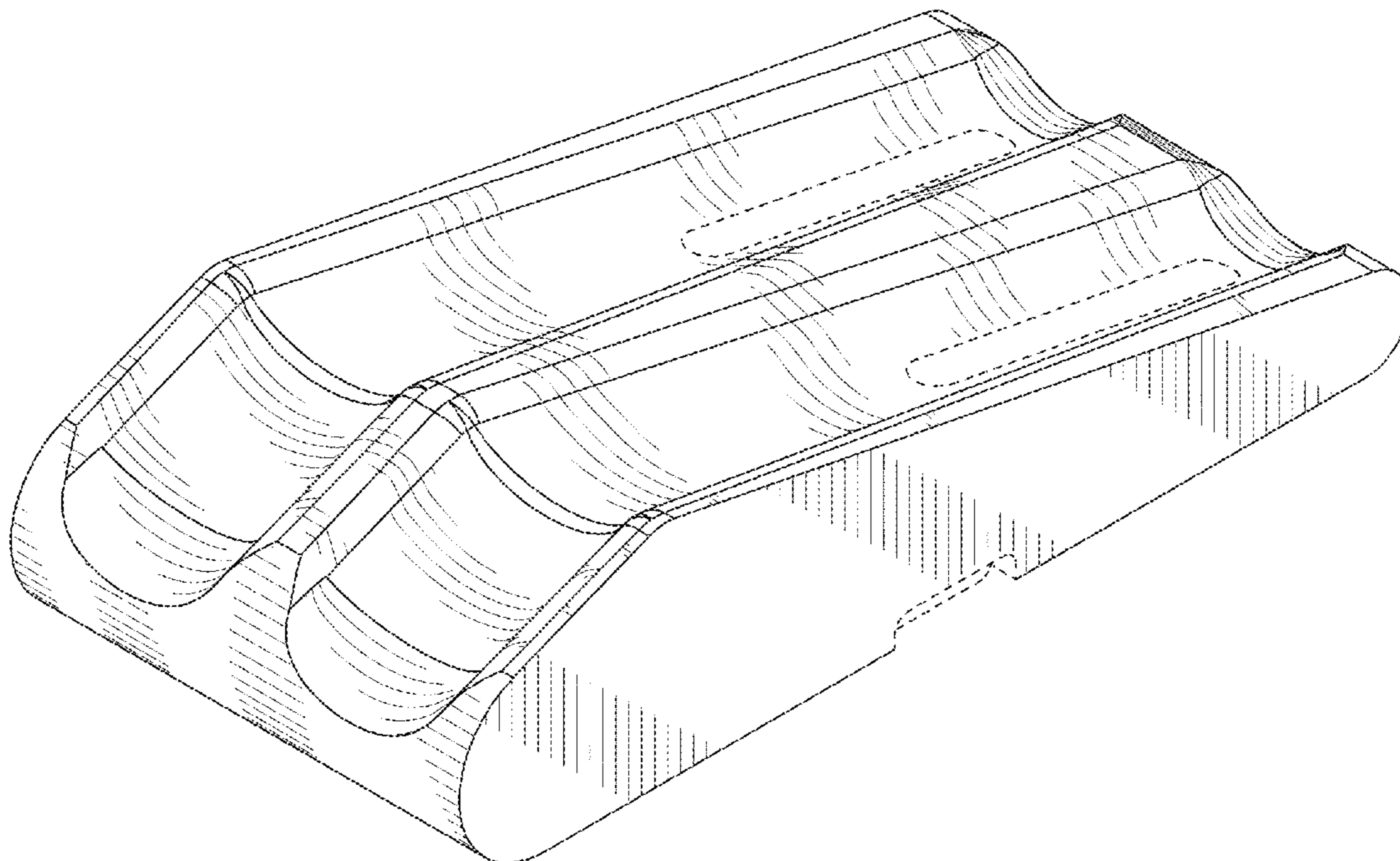
(57) **CLAIM**

The ornamental design for a dual leg support device, as shown and described.

DESCRIPTION

FIG. 1 is a front, right perspective view of a dual leg support device;
FIG. 2 is a front elevation view thereof;
FIG. 3 is a rear elevation view thereof;
FIG. 4 is a top plan view thereof;
FIG. 5 is a bottom plan view thereof;
FIG. 6 is a right side elevation view thereof; and,
FIG. 7 is a left side elevation view thereof.
The broken lines in the drawings depict environmental subject matter only and form no part of the claimed design.

1 Claim, 5 Drawing Sheets



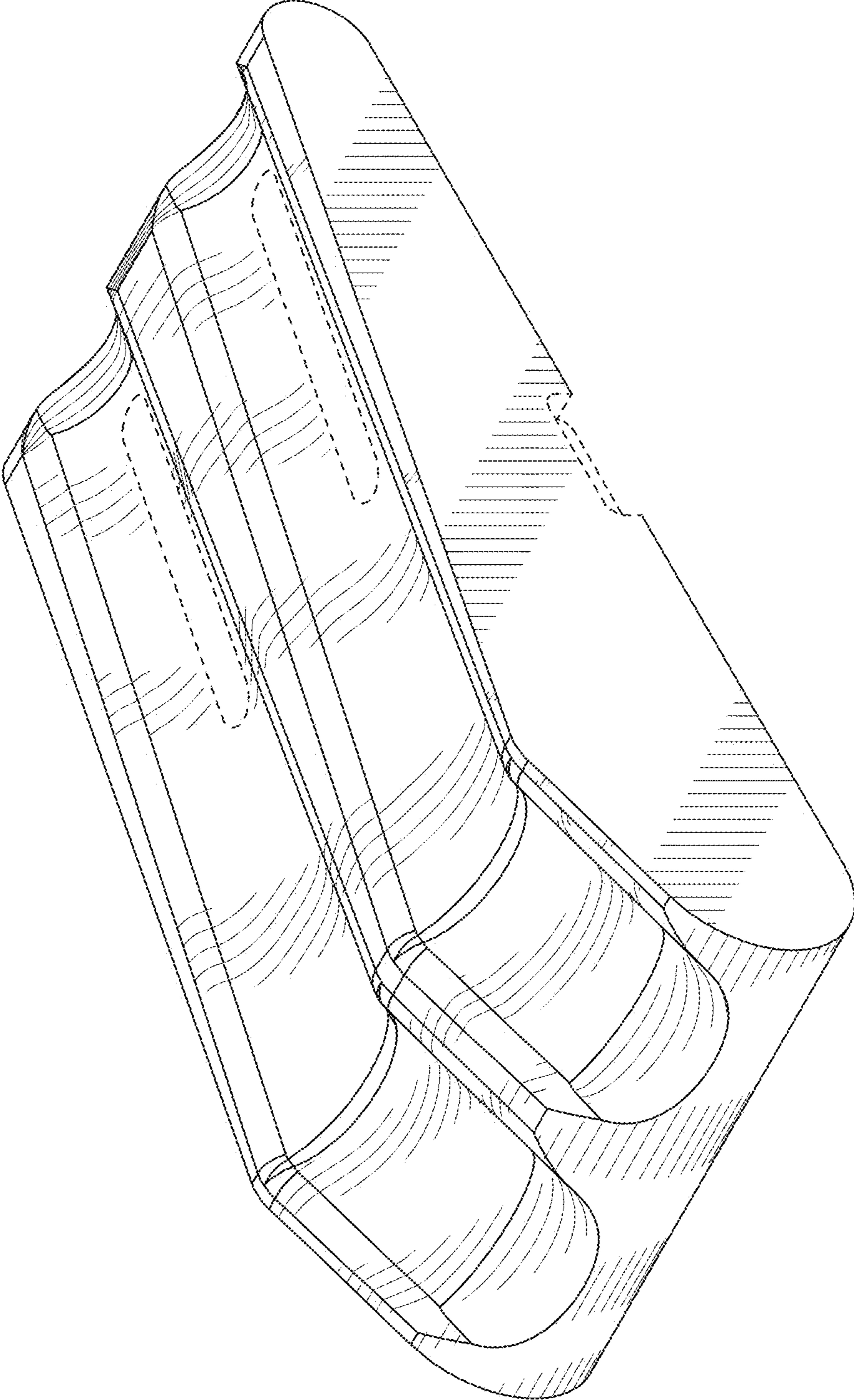


FIG. 1

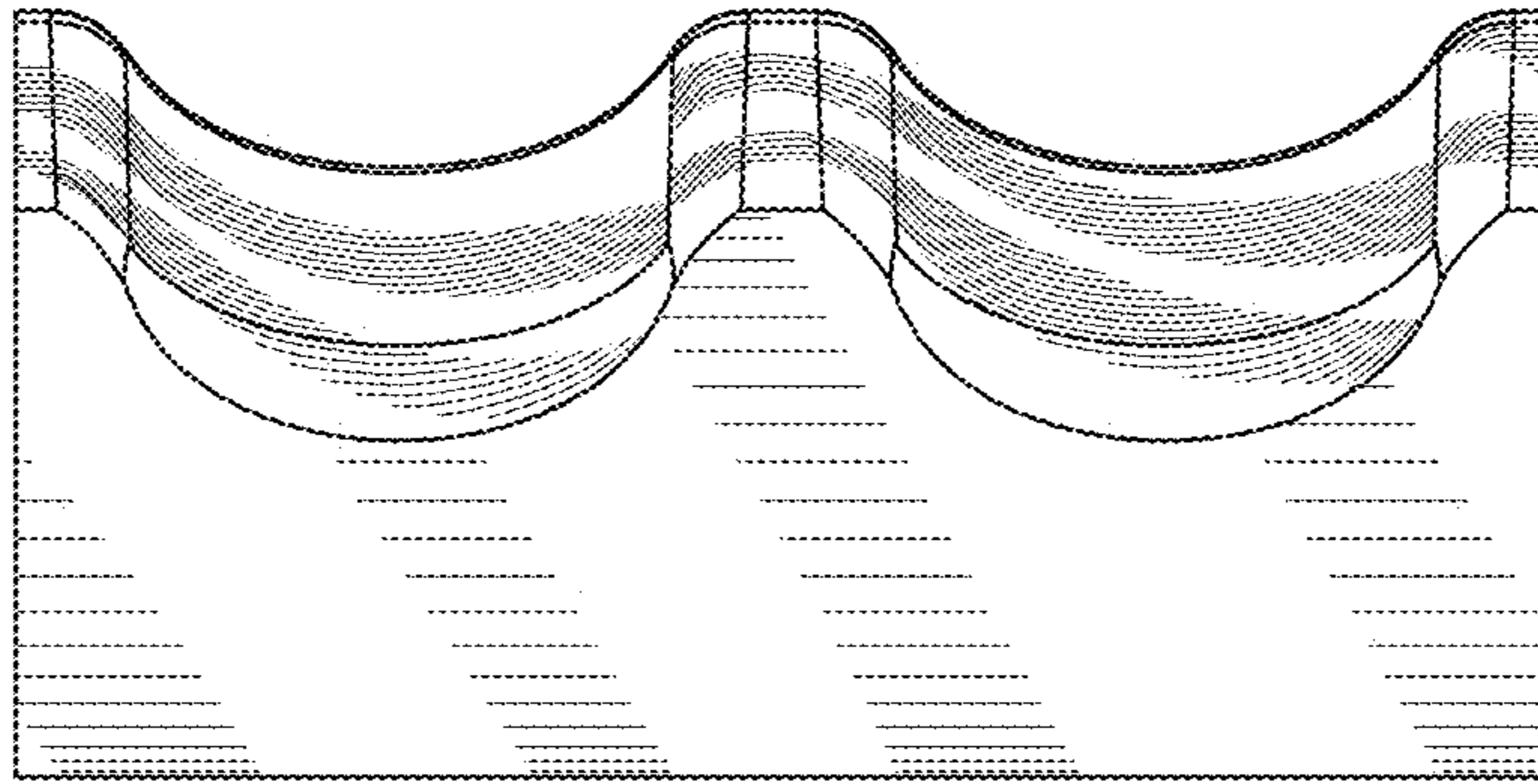


FIG. 2

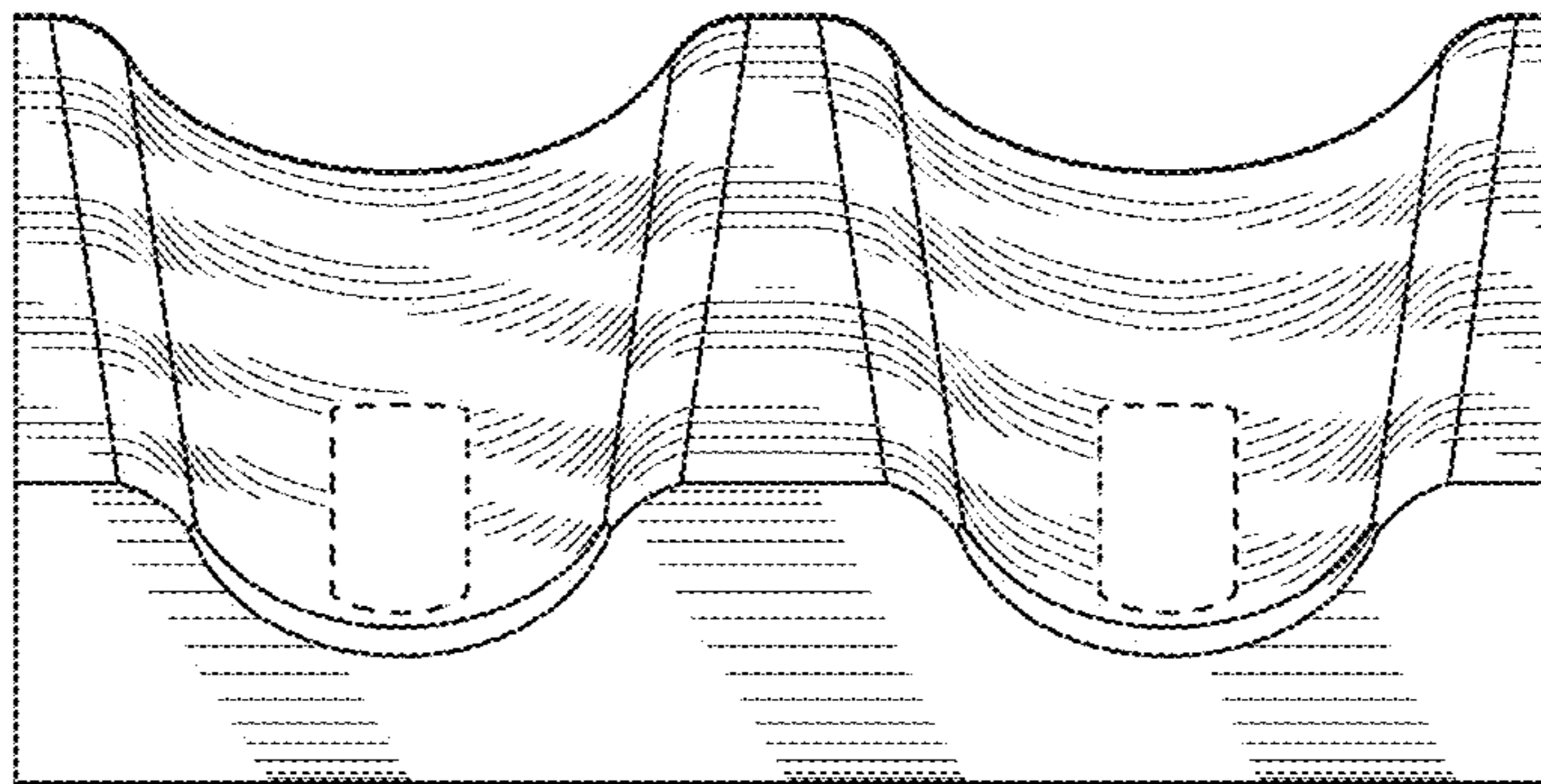


FIG. 3

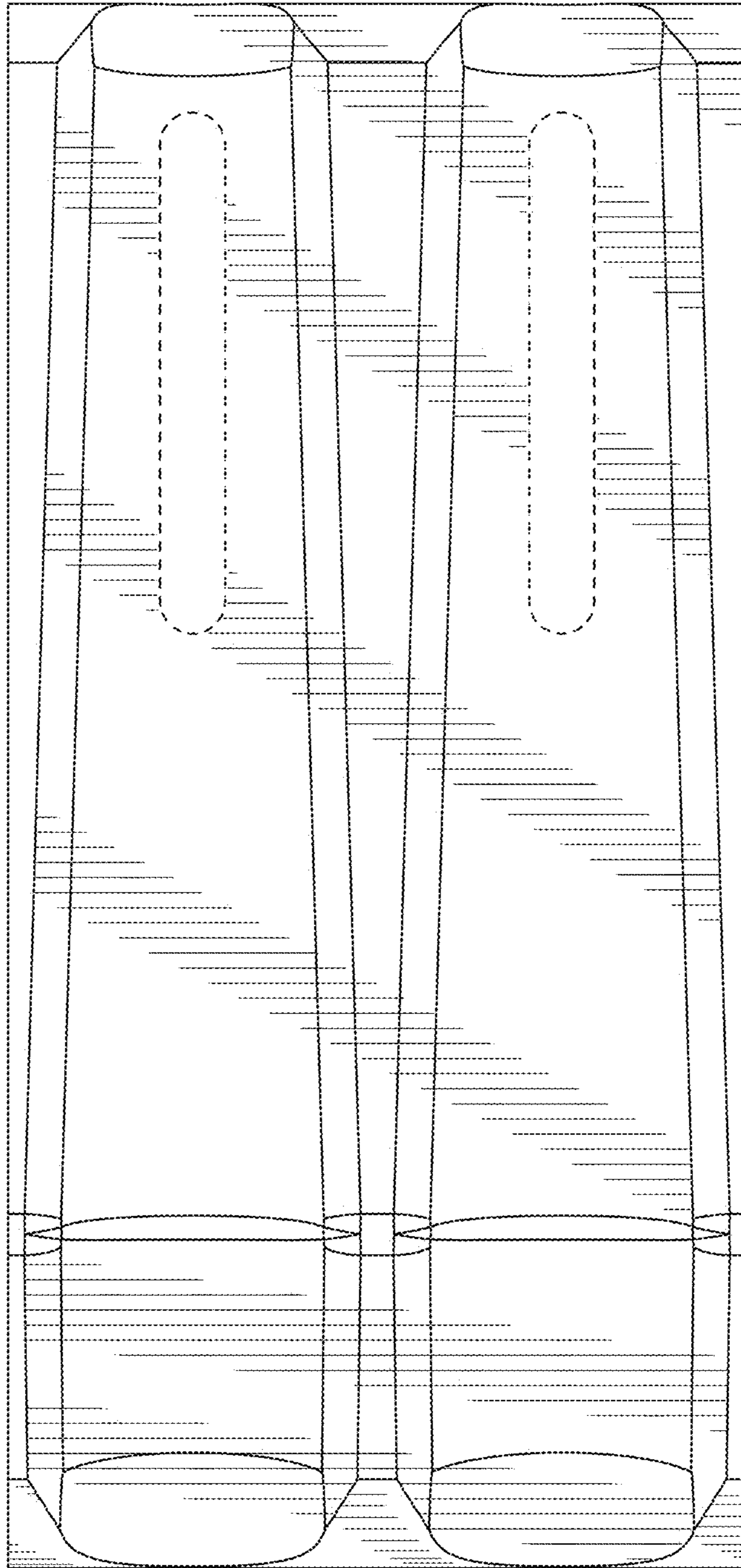


FIG. 4

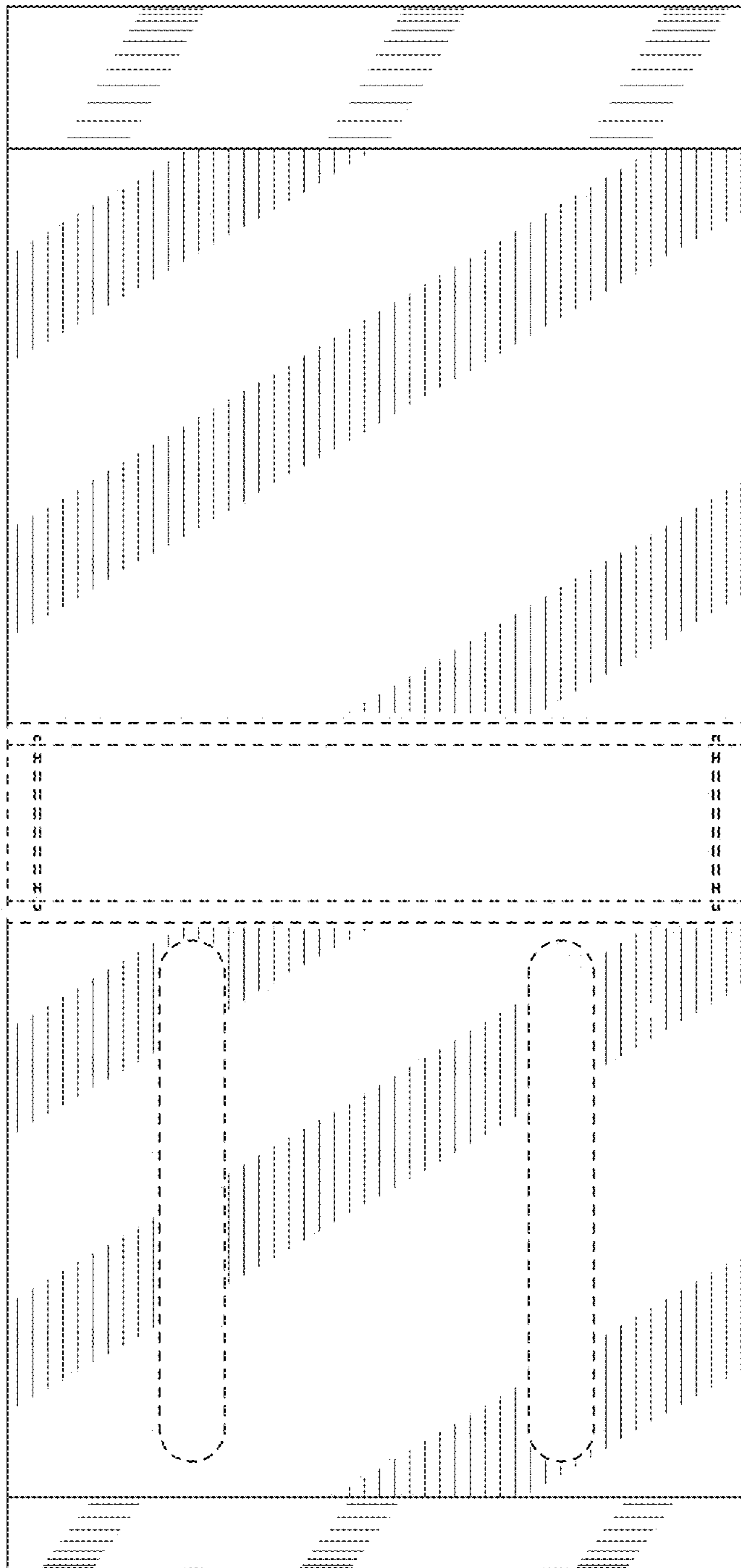


FIG. 5

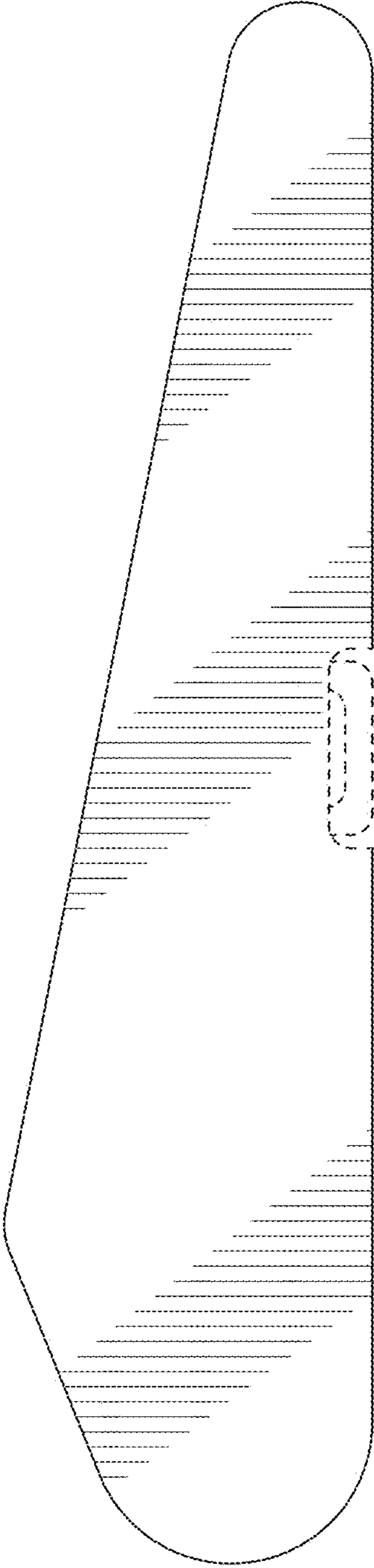


FIG. 6

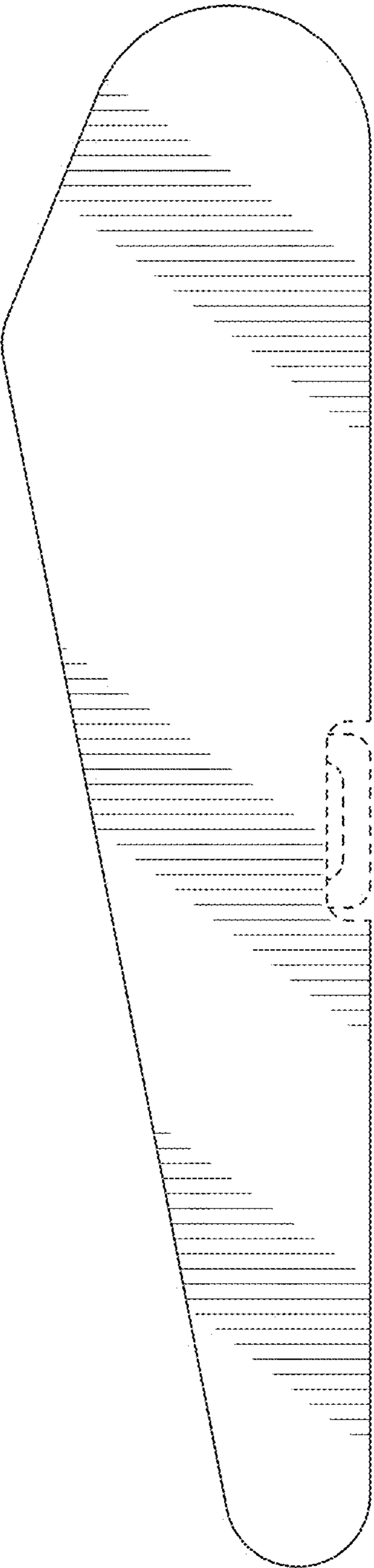


FIG. 7