



US00D954966S

(12) **United States Design Patent** (10) **Patent No.:** **US D954,966 S**  
**Robran** (45) **Date of Patent:** **\*\* Jun. 14, 2022**

- (54) **CUSHION FOR MEDICAL INSTRUMENT STAND**
- (71) Applicant: **BONE FOAM, INC.**, Corcoran, MN (US)
- (72) Inventor: **Chad L. Robran**, Plymouth, MN (US)
- (73) Assignee: **BONE FOAM, INC.**, Corcoran, MN (US)
- (\*\*) Term: **15 Years**
- (21) Appl. No.: **29/713,808**
- (22) Filed: **Nov. 19, 2019**
- (51) **LOC (13) Cl.** ..... **24-02**
- (52) **U.S. Cl.**  
USPC ..... **D24/184**
- (58) **Field of Classification Search**  
USPC ..... D24/171, 183–184, 188, 190–191, 200, 224/211, 215, 227; D6/601, 604, 716, D6/716.1  
CPC ..... A61G 7/0755; A61G 13/125; A47B 21/0314; A47B 21/0371; A47C 20/021; A47C 20/026; A47C 16/025  
See application file for complete search history.

(56) **References Cited**

**U.S. PATENT DOCUMENTS**

- D202,398 S \* 9/1965 Moore ..... D24/215  
3,940,181 A \* 2/1976 Cheek, Jr. .... A47C 16/025  
297/423.46  
D293,051 S \* 12/1987 Lemmeyer ..... D6/691  
D296,590 S \* 7/1988 Cottrell ..... D24/183  
D310,882 S \* 9/1990 Pope ..... D24/188  
D376,481 S \* 12/1996 Bidwell ..... D6/330  
D429,106 S \* 8/2000 Bortolotto ..... D6/601  
D434,254 S \* 11/2000 Turner ..... D6/716.1  
D466,353 S \* 12/2002 Marks ..... D6/601  
6,749,159 B1 \* 6/2004 Hess ..... A47B 21/0371  
248/118

- D601,844 S \* 10/2009 Miller ..... D6/611  
D659,250 S \* 5/2012 Cottrell ..... D24/183  
D694,054 S \* 11/2013 Blomstrom ..... D6/716  
D702,979 S \* 4/2014 Jannetides ..... D6/716.1  
D751,714 S \* 3/2016 Ogura ..... D24/158  
D774,650 S \* 12/2016 Williams ..... D24/185  
D802,148 S \* 11/2017 Lavin ..... D24/184

(Continued)

**OTHER PUBLICATIONS**

Mayo Stand Pad. Online, published date unknown. Retrieved on Jun. 24, 2021 from URL: <https://www.bonefoam.com/product/mayo-stand-pad/>.\*

*Primary Examiner* — Omeed Agilee

(74) *Attorney, Agent, or Firm* — Workman Nydegger

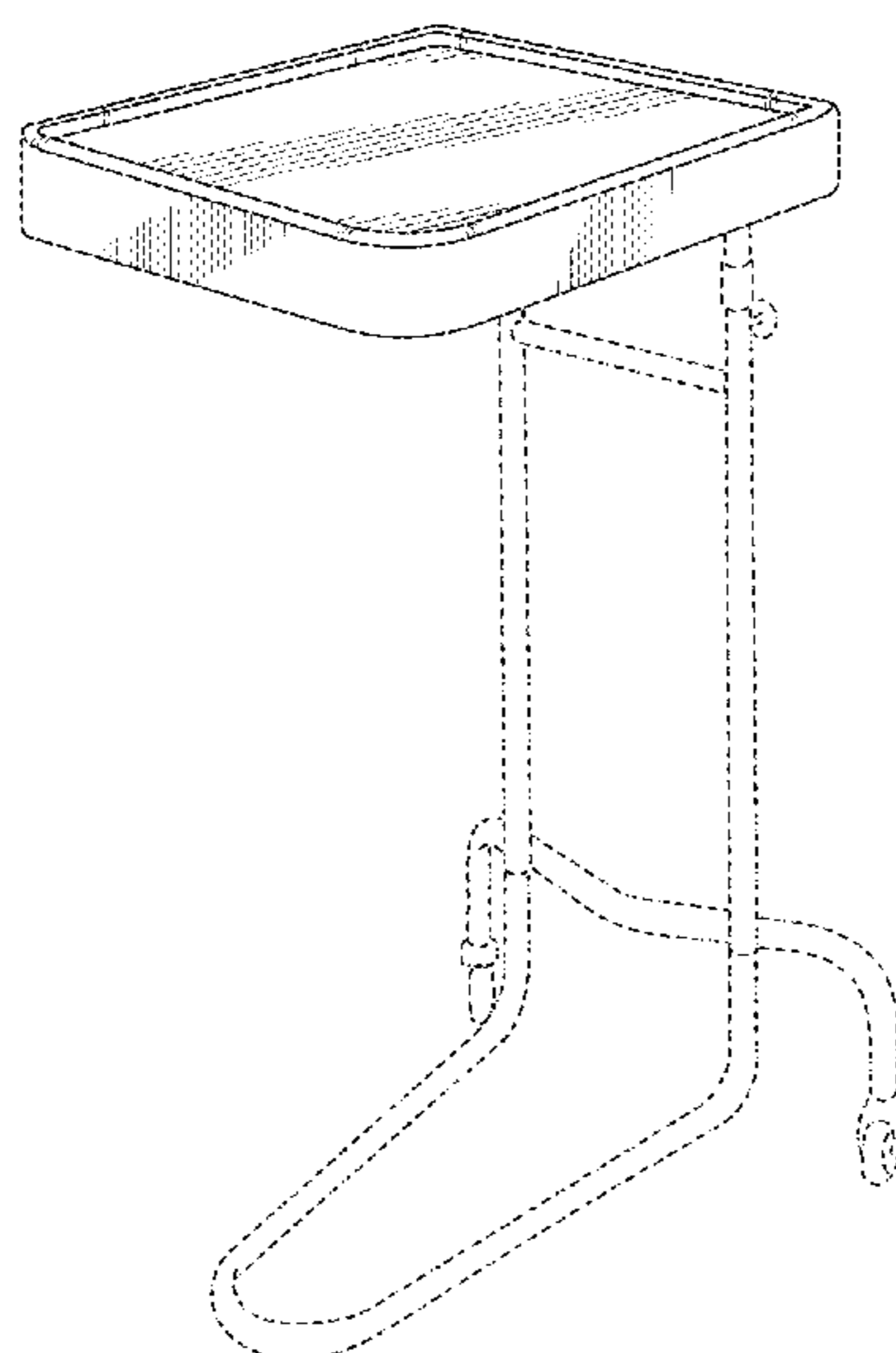
(57) **CLAIM**

The ornamental design for a cushion for medical instrument stand, as shown and described.

**DESCRIPTION**

FIG. 1 is a top, right perspective view of a cushion for medical instrument stand in a state of use;  
FIG. 2 is a top, right perspective view of the cushion for medical instrument stand without showing the stand;  
FIG. 3 is a front elevation view thereof;  
FIG. 4 is a rear elevation view thereof;  
FIG. 5 is a top plan view thereof;  
FIG. 6 is a bottom plan view thereof;  
FIG. 7 is a left side elevation view thereof; and,  
FIG. 8 is a right side elevation view thereof.  
The dashed lines shown in FIG. 1 depict environmental subject matter and form no part of the claimed design. The dash line shown in FIG. 6 and the area bounded by the dash line and the solid lines depict portions of the cushion for medical instrument stand that form no part of the claimed design. The dash-dot-dash lines in FIG. 6 depict the boundaries of the claim and form no part thereof.

**1 Claim, 4 Drawing Sheets**



(56)

**References Cited**

U.S. PATENT DOCUMENTS

D813,407 S \* 3/2018 Chen ..... D24/215  
D893,932 S \* 8/2020 Rajkiewicz ..... D6/716.1  
D894,403 S \* 8/2020 Couch ..... D24/185  
D908,391 S \* 1/2021 Yang ..... D6/601

\* cited by examiner

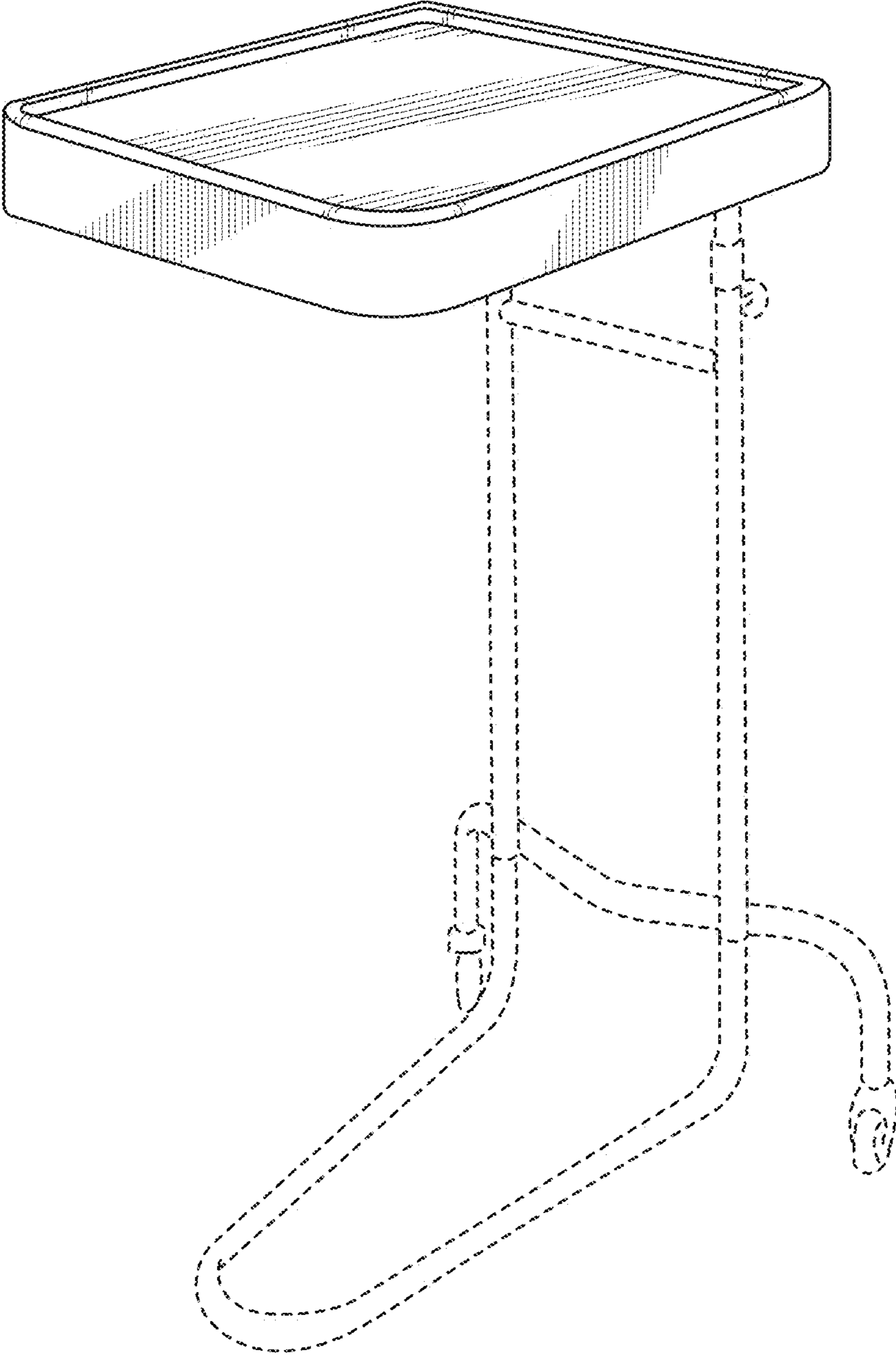


FIG. 1

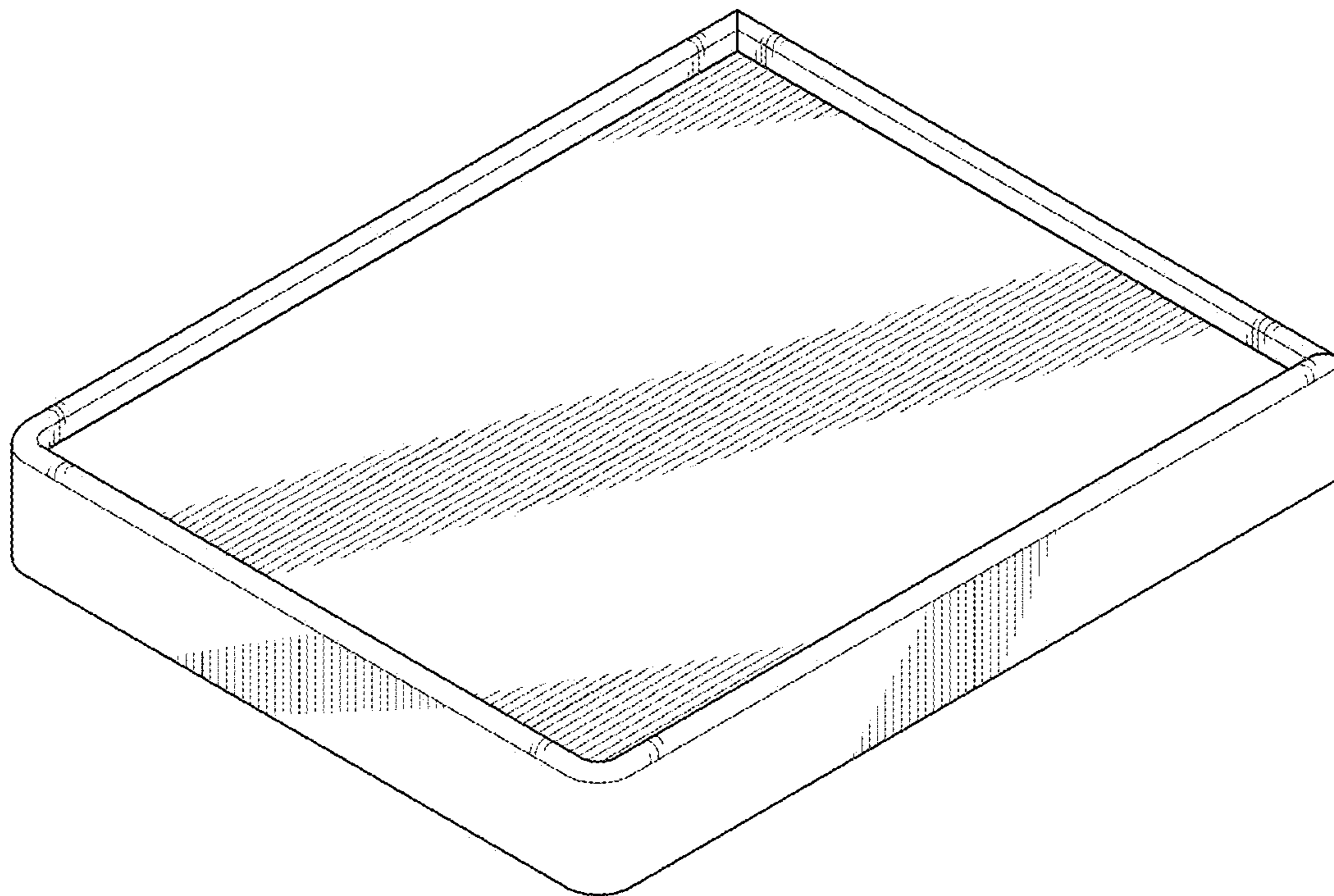


FIG. 2

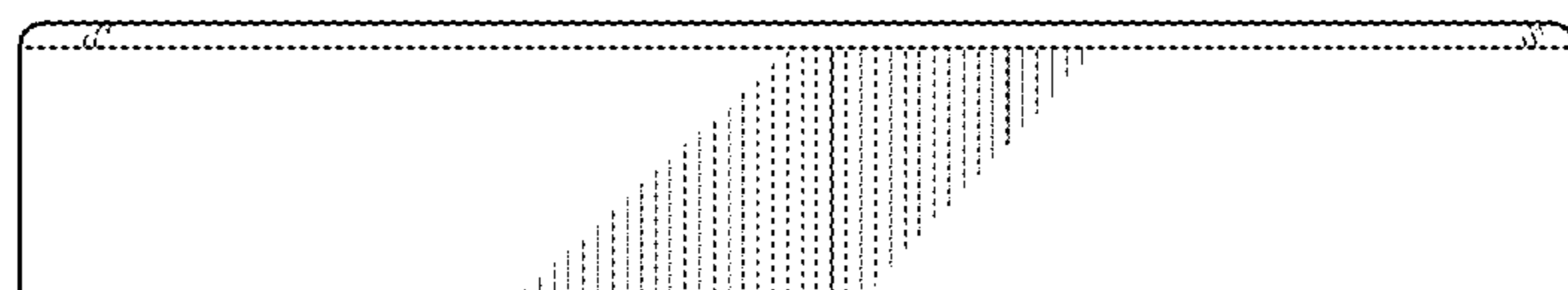


FIG. 3

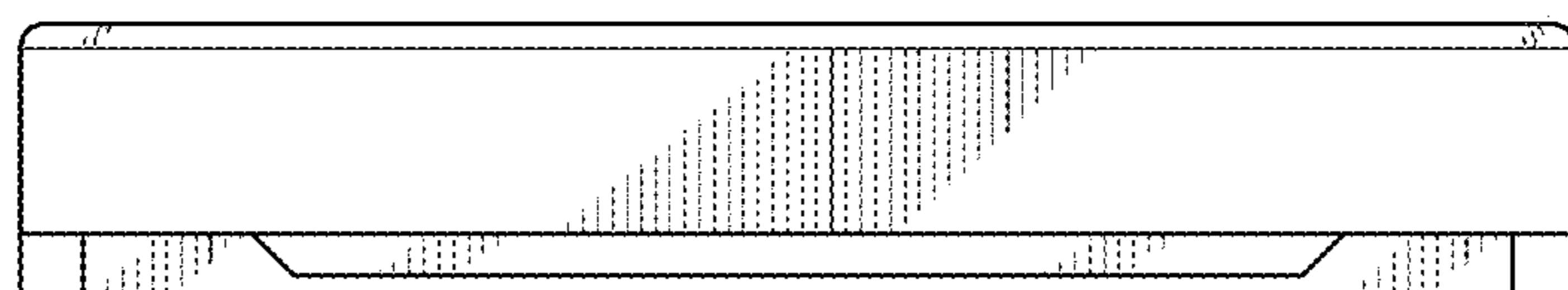


FIG. 4

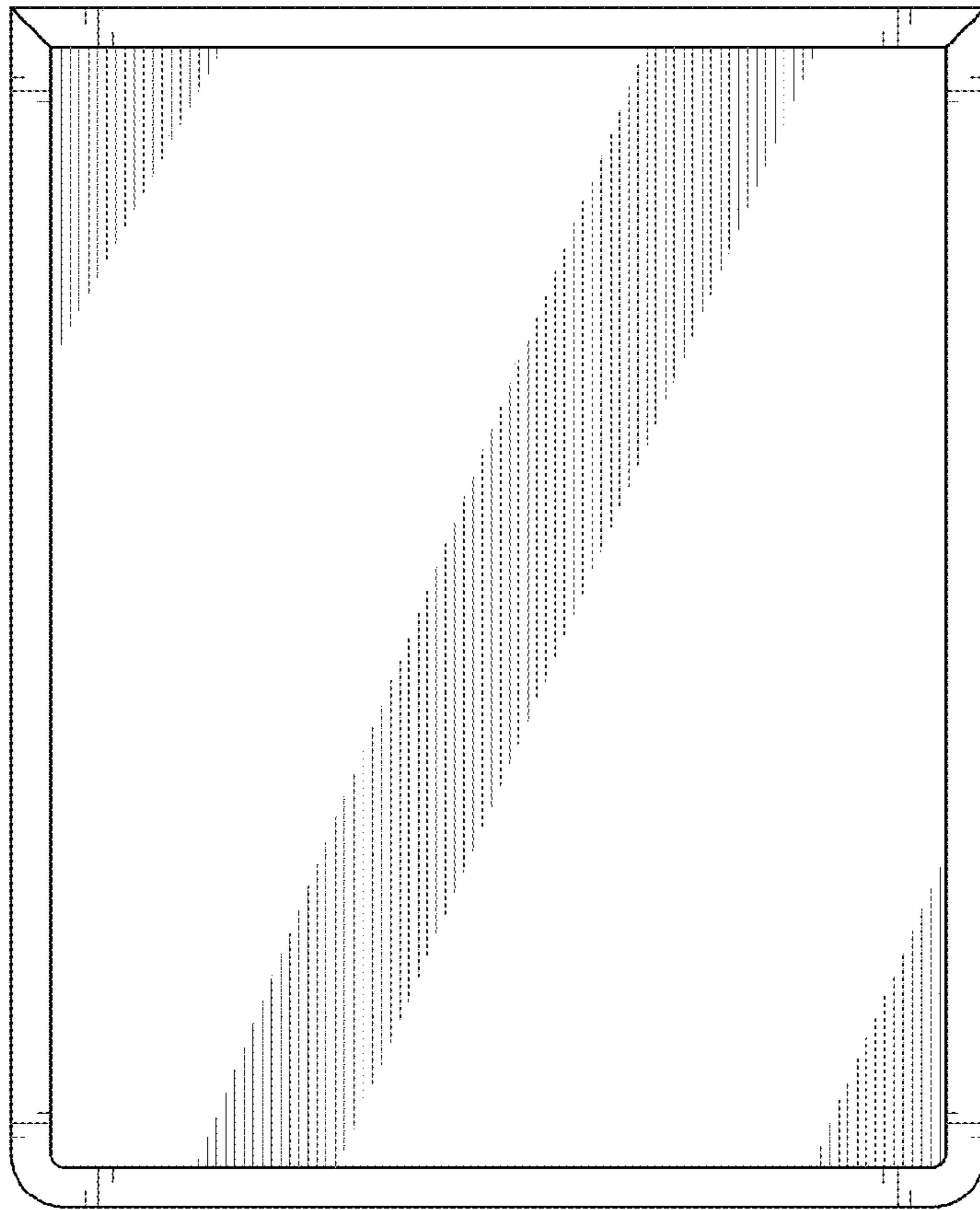


FIG. 5

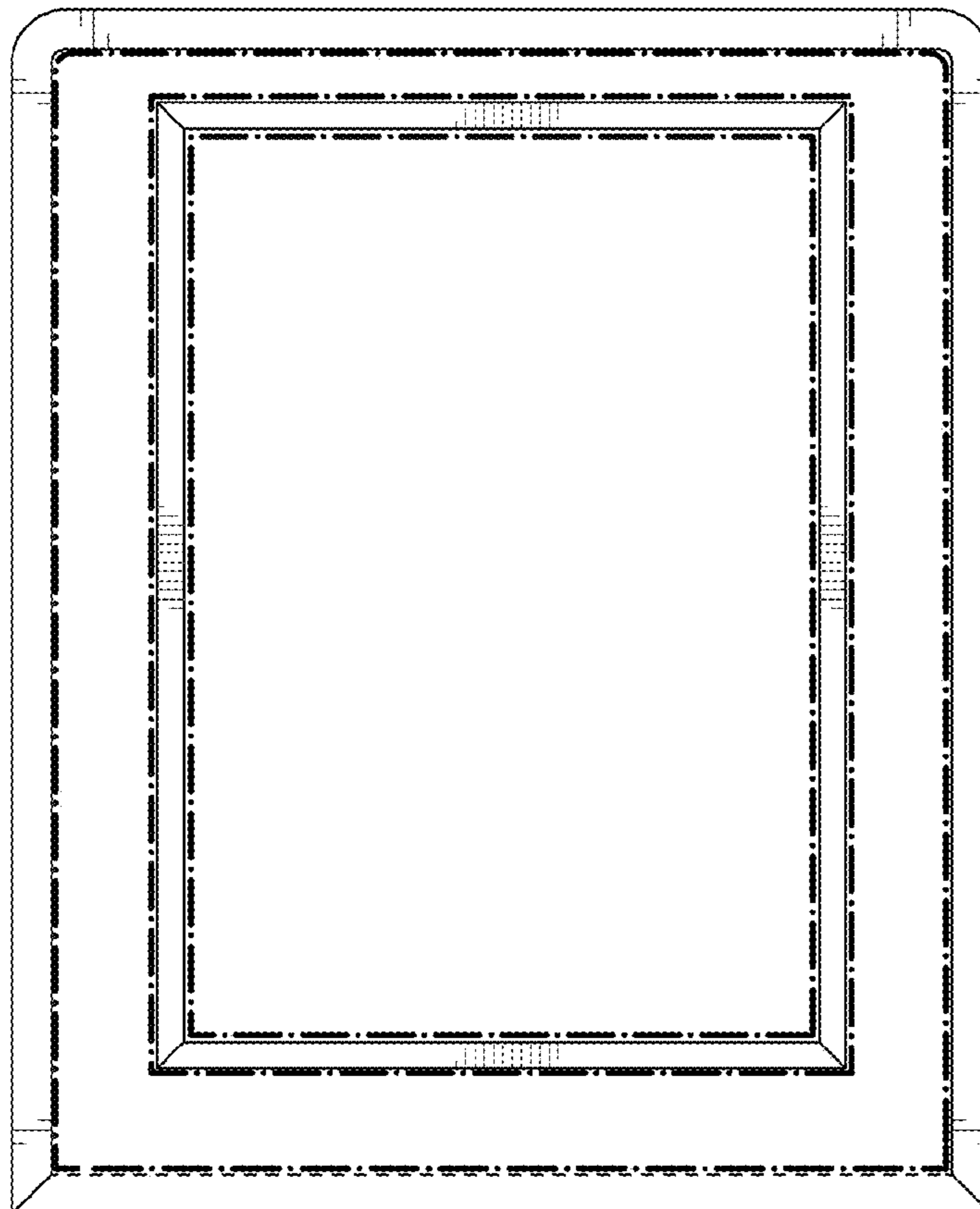
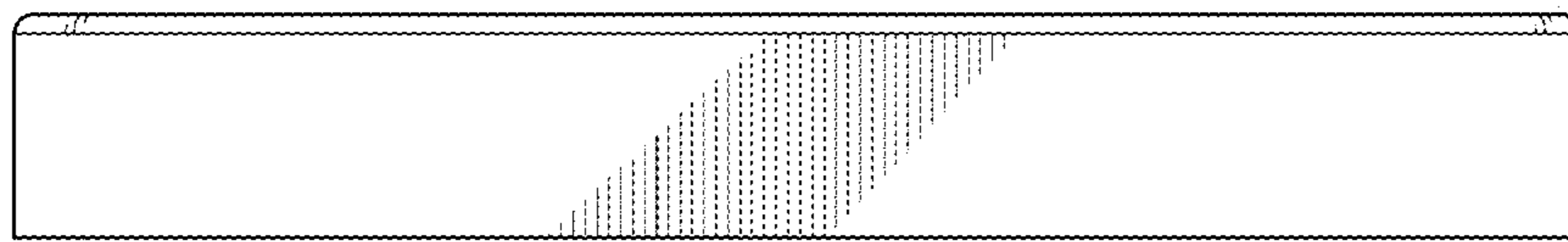
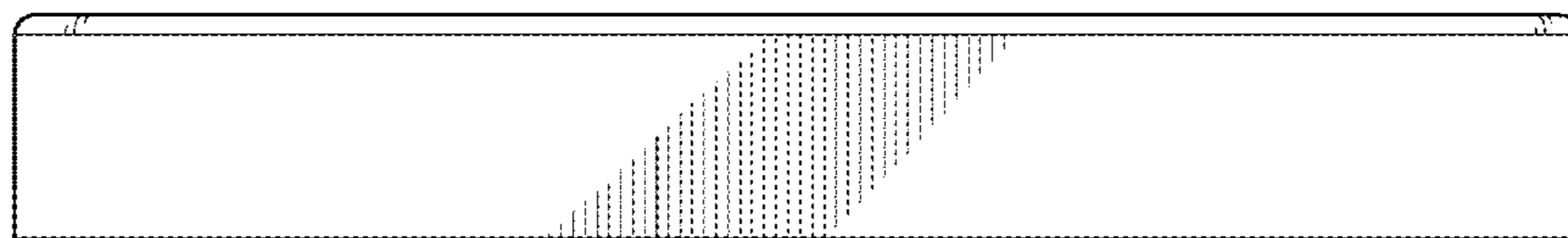


FIG. 6



**FIG. 7**



**FIG. 8**