



US00D954964S

(12) **United States Design Patent** (10) **Patent No.:** **US D954,964 S**
Romano et al. (45) **Date of Patent:** **** Jun. 14, 2022**

(54) **MEDICAL EXAMINATION TABLE**
(71) Applicant: **United Metal Fabricators, Inc.**,
Johnstown, PA (US)
(72) Inventors: **Joseph Romano**, Johnstown, PA (US);
Quinn Carpenter, Johnstown, PA (US);
Roelof H deVries, Somerset, PA (US)
(73) Assignee: **United Metal Fabricators, Inc.**,
Johnstown, PA (US)
(**) Term: **15 Years**
(21) Appl. No.: **29/658,116**
(22) Filed: **Jul. 27, 2018**
(51) **LOC (13) Cl.** **24-02**
(52) **U.S. Cl.**
USPC **D24/183**
(58) **Field of Classification Search**
USPC D24/107, 158–161, 183–186; D6/691
CPC A61B 6/0457; A61B 6/4447; A61B 6/484;
A61B 6/0407; A61B 6/0428; A61G
2210/50
See application file for complete search history.

Primary Examiner — Omeed Agilee
(74) *Attorney, Agent, or Firm* — Metz Lewis Brodman
Must O’Keefe LLC

(57) **CLAIM**

The ornamental design for a medical examination table, as shown and described.

DESCRIPTION

FIG. 1 is an isometric view of a medical examination table of the present invention shown in a first position.
FIG. 2 is a second perspective view thereof;
FIG. 3 is a left side elevation view of the medical examination table of FIG. 1, with the right side view being a mirror image thereof.
FIG. 4 is a front side elevation view of the medical examination table of FIG. 1.
FIG. 5 is an isometric view of the medical examination table of FIG. 1 shown in an alternate position.
FIG. 6 is an isometric view of a medical examination table of the present invention shown in another alternative position.
FIG. 7 is a top plan view of the medical examination table of FIG. 6.
FIG. 8 is a left side elevation view of the medical examination table of FIG. 6, with the right side view being a mirror image thereof; and,
FIG. 9 is a first perspective view of a probe for an ultrasonic diagnosis apparatus showing my new design according to a second embodiment.
The dash lines in the drawings depict environmental subject matter and form no part of the claimed design. The dot dash dot broken lines depict the boundaries of the claim and form no part thereof.

(56) **References Cited**

U.S. PATENT DOCUMENTS

1,626,091 A * 4/1927 Macklin A61G 13/009
5/618
3,281,141 A * 10/1966 Smiley A61G 13/00
5/614
D248,406 S * 7/1978 Hodge D24/183
D250,043 S * 10/1978 Shine D24/183
D344,802 S * 3/1994 Kuck D24/183
5,528,782 A * 6/1996 Pfeuffer A61G 13/02
108/147

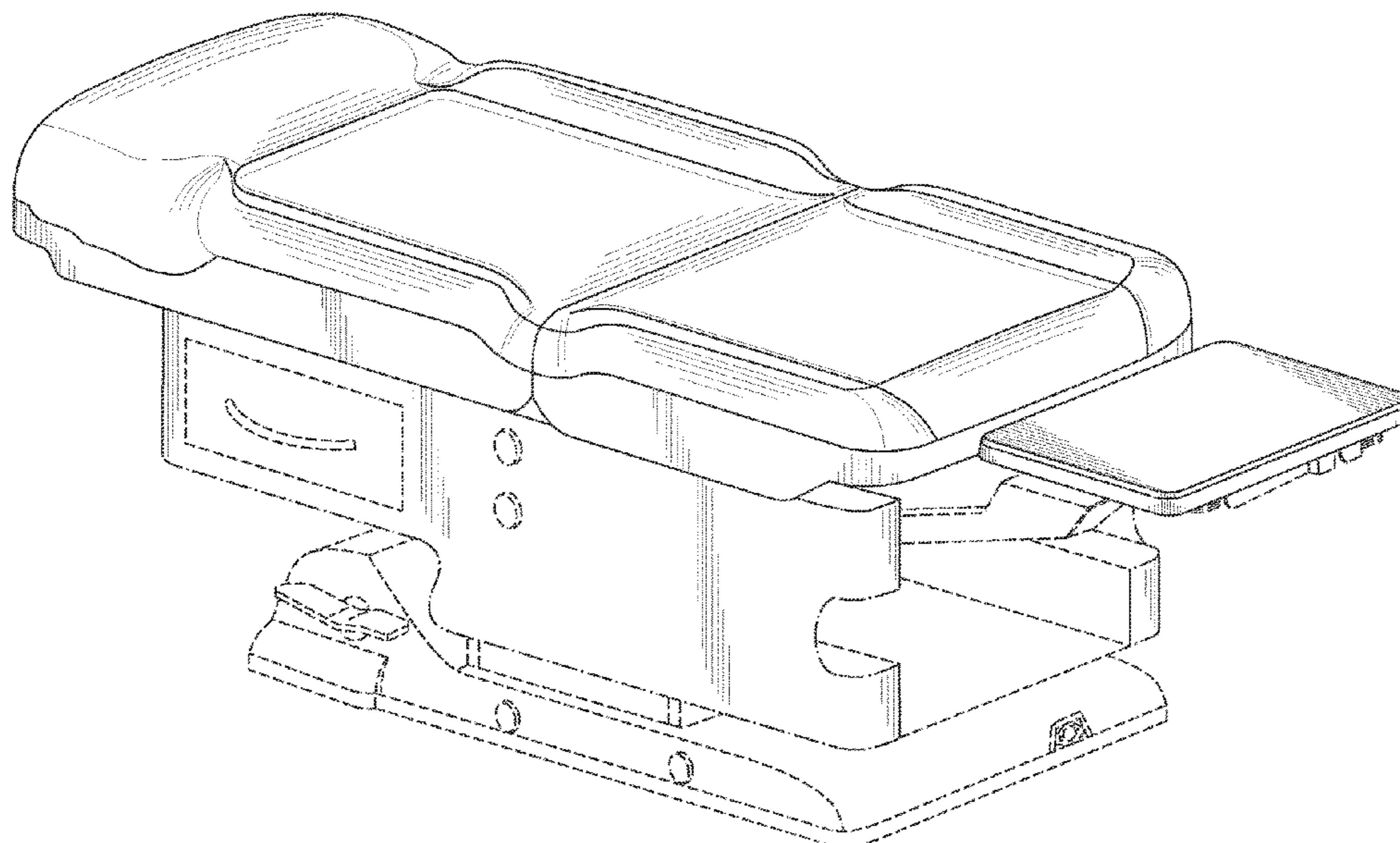
(Continued)

OTHER PUBLICATIONS

The 4070-650 Power Exam Tables Series. Online, published date Aug. 23, 2017. Retrieved on Dec. 14, 2019 from URL: https://www.umfmedical.com/power100_200/.*

(Continued)

1 Claim, 9 Drawing Sheets



(56)

References Cited

U.S. PATENT DOCUMENTS

D434,151 S * 11/2000 Fanuzzi D24/183
 D461,900 S * 8/2002 Siepmann 5/600
 6,446,287 B2 * 9/2002 Borders A61G 13/0009
 5/613
 6,578,215 B1 * 6/2003 Heimbrock A61G 13/08
 5/617
 6,926,366 B2 8/2005 Wolters
 7,350,249 B2 * 4/2008 Jacobs A61G 13/0018
 5/624
 D574,959 S * 8/2008 DeBaal D24/183
 D583,953 S * 12/2008 Genelli D24/183
 D604,421 S * 11/2009 Albrecht D24/183
 D604,422 S * 11/2009 Albrecht D24/183
 D844,789 S * 4/2019 Hetz D24/183
 D849,957 S * 5/2019 Fuster D24/183
 D899,602 S * 10/2020 Smith D24/183

2004/0148703 A1* 8/2004 Doering A61G 13/02
 5/610
 2020/0038275 A1* 2/2020 Romano A61G 13/1235
 2020/0046296 A1* 2/2020 Romano A61B 5/021

OTHER PUBLICATIONS

Table Armboard For 630, 641, 230 Ritter® Examination Table. Online, published date unknown. Retrieved on Dec. 14, 2019 from URL : <https://mms.mckesson.com/product/1093998/Midmark-9A82001-870>.*

Midmark 623 Barrier Free Exam Table. Online, published date unknown. Retrieved on Jul. 25, 2021 from URL: https://swmedical.com/products/midmark-623-barrier-free-exam-table-refurbished?variant=2215884193804¤cy=USD&utm_medium=product_sync&utm_source=google&utm_content=sag_organic&utm_campaign=sag_organic&gclid=E.*

* cited by examiner

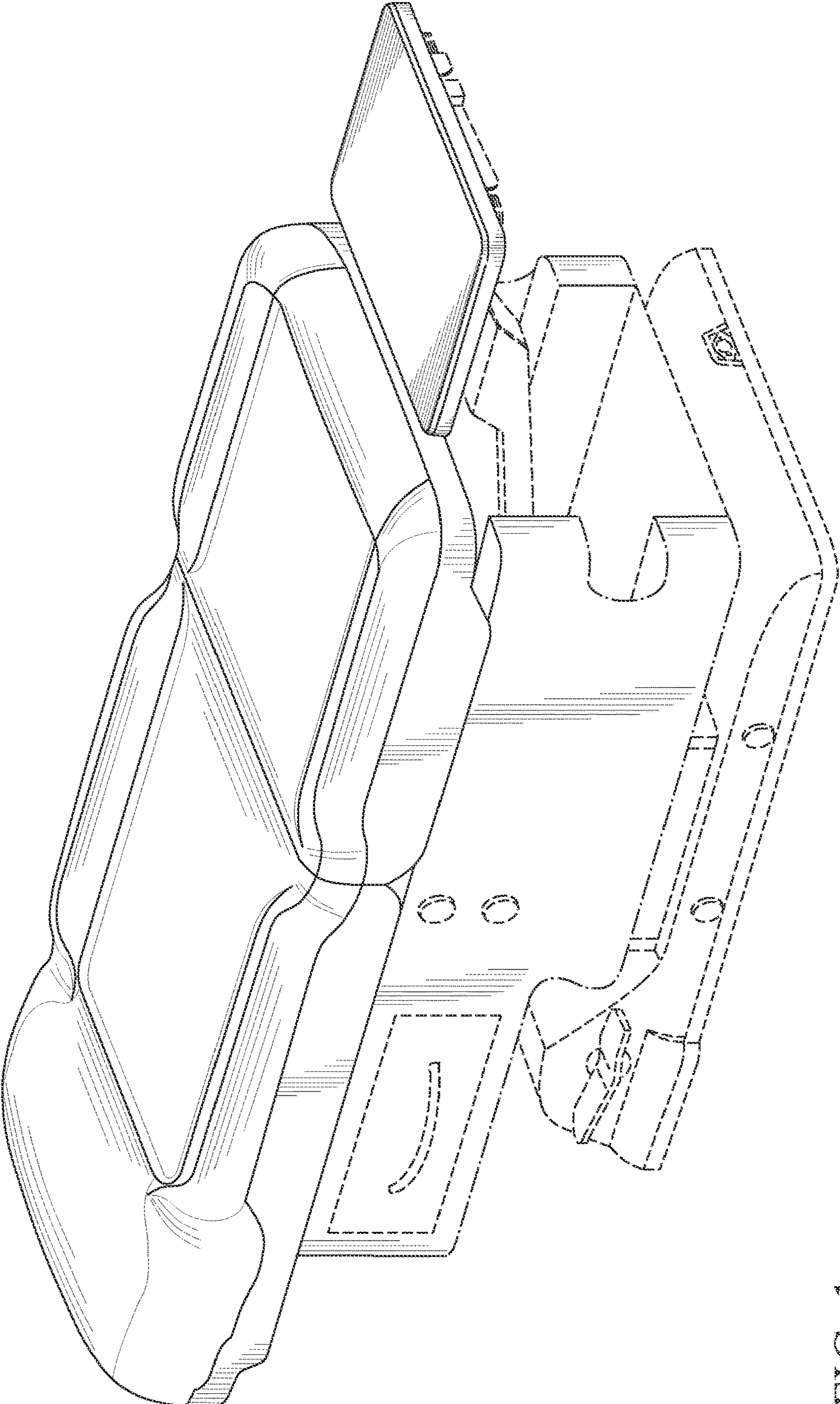


FIG. 1

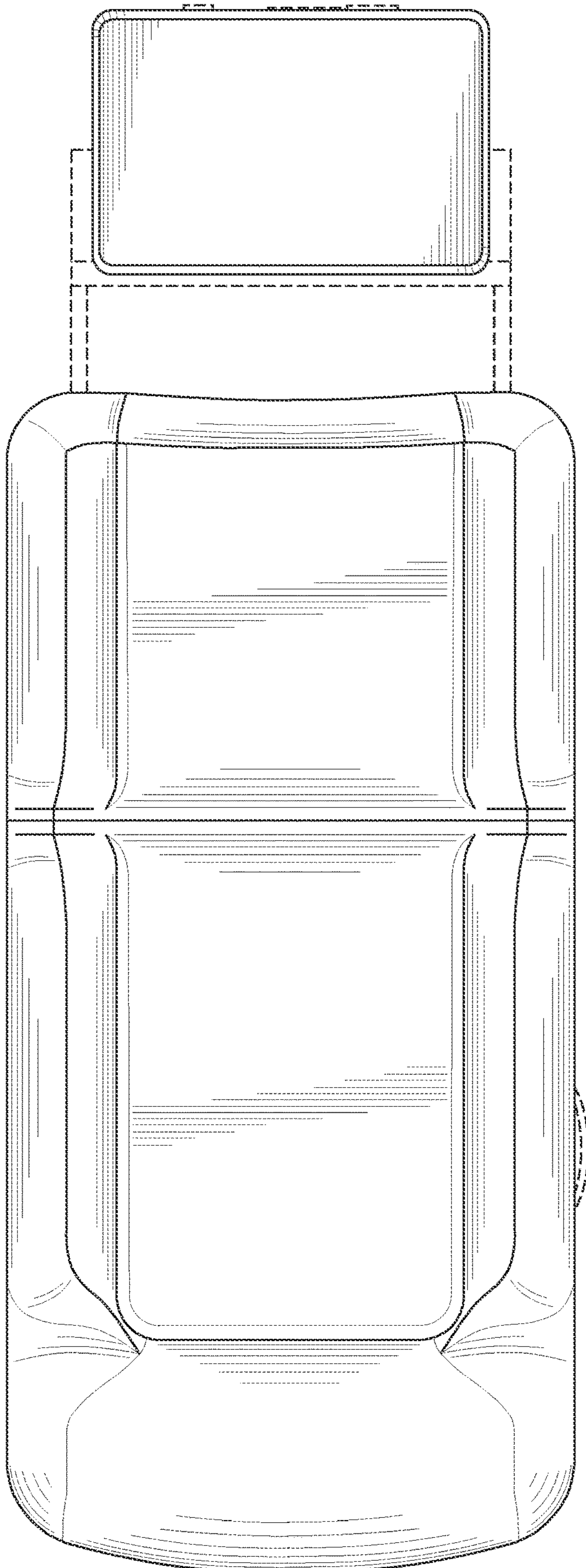


FIG. 2

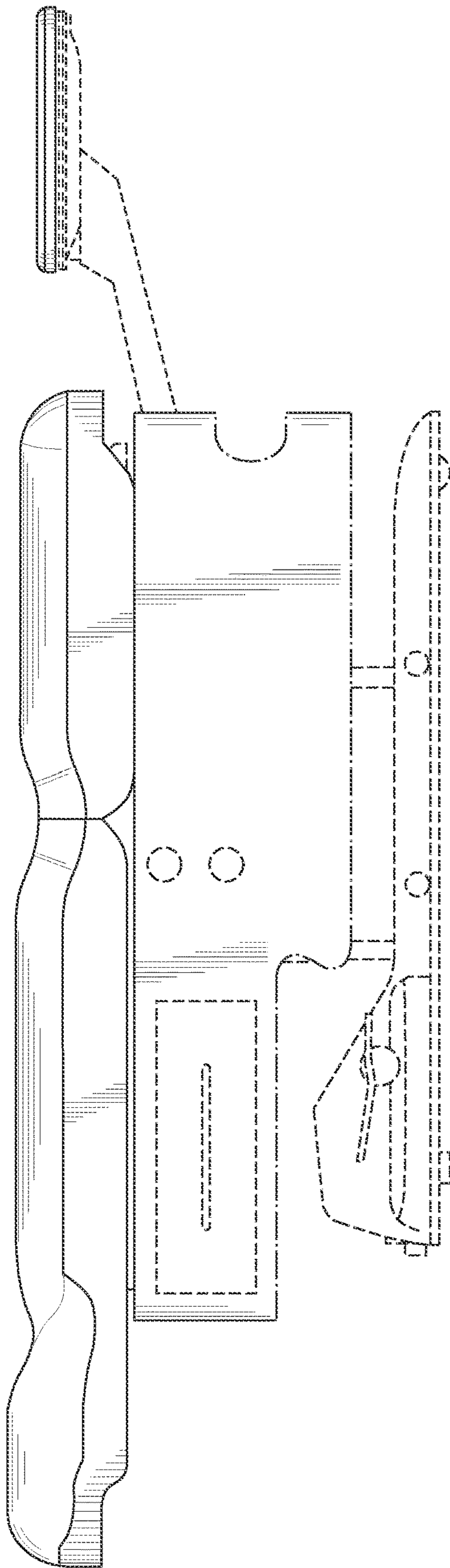


FIG. 3

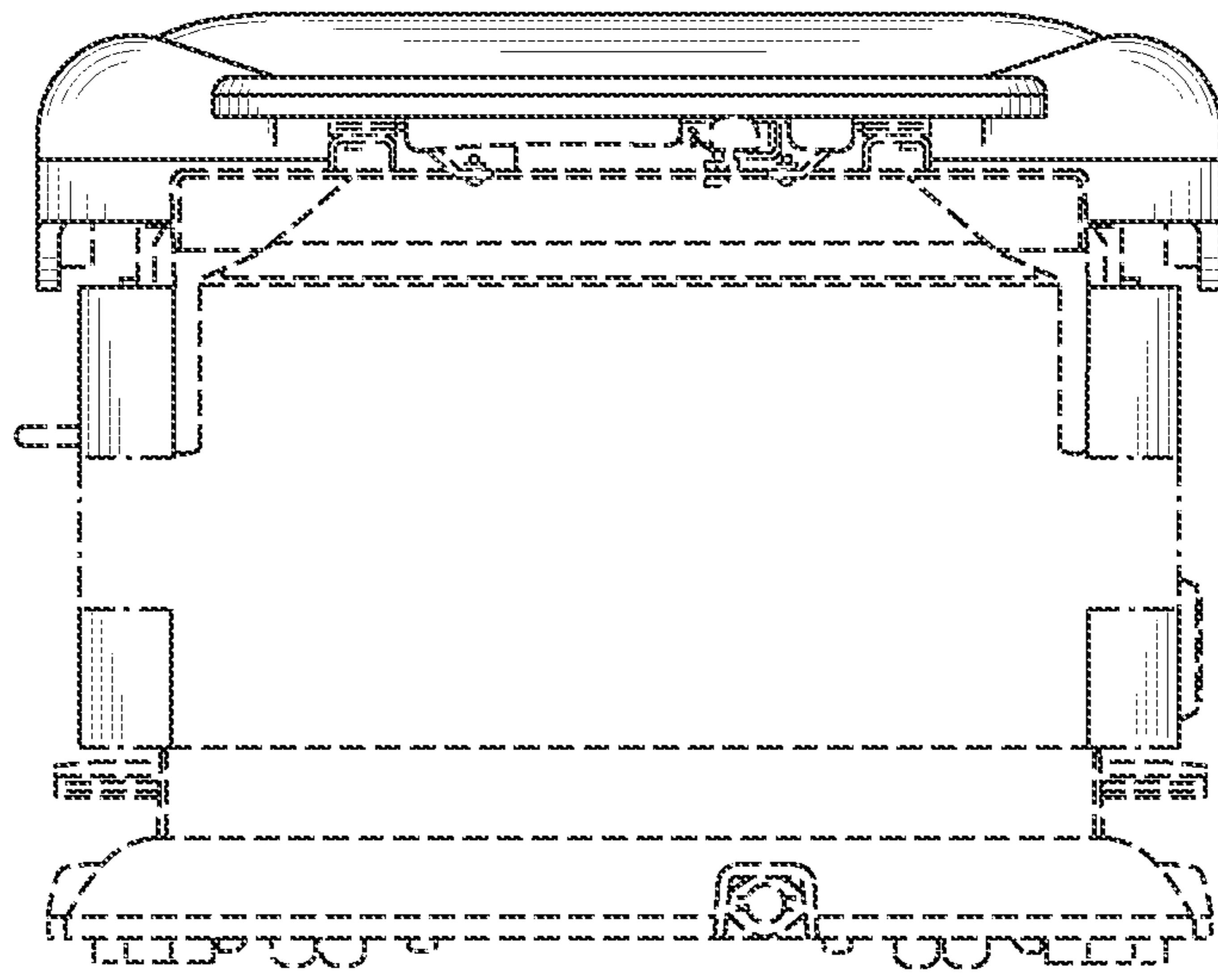


FIG. 4

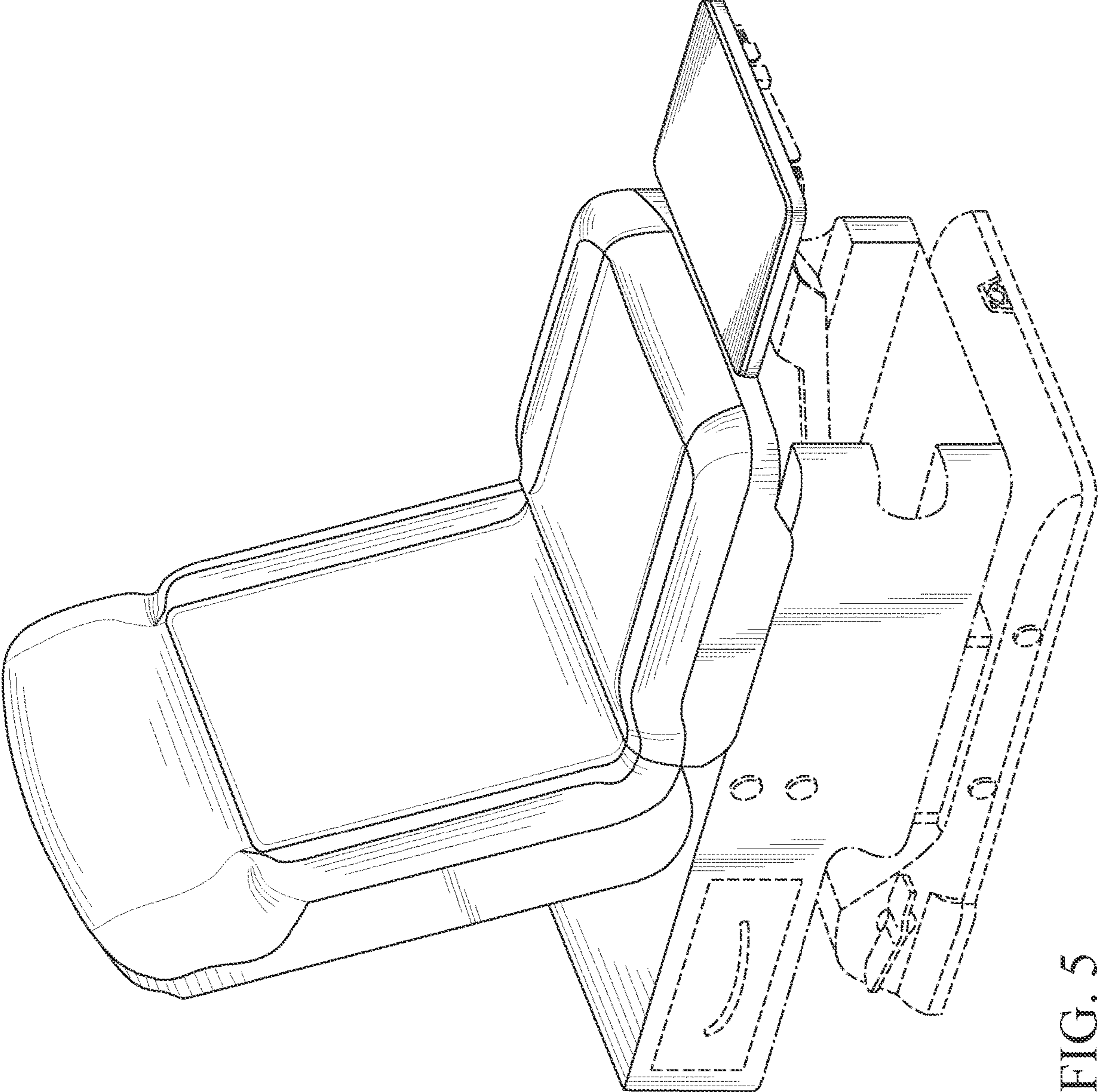


FIG. 5

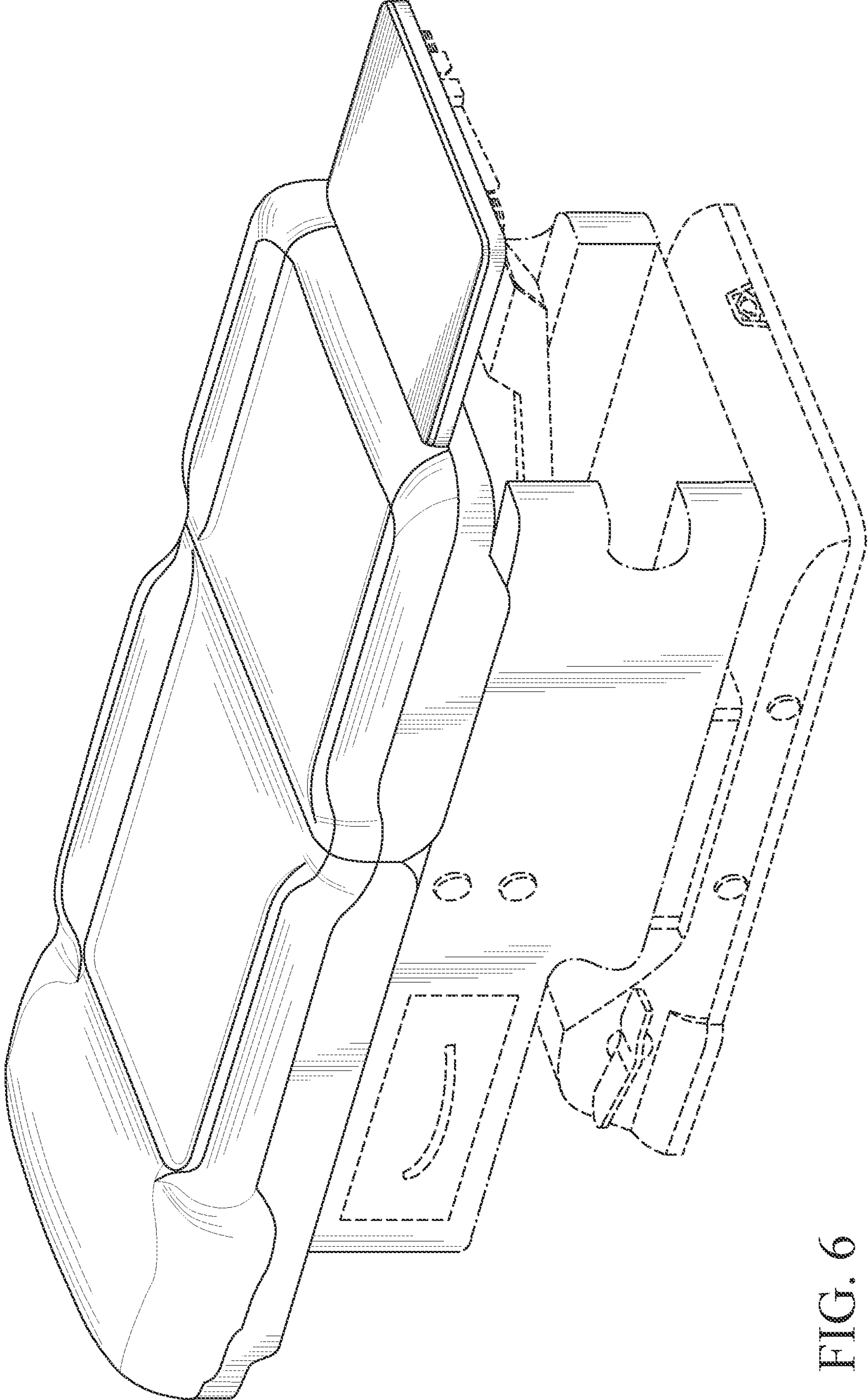


FIG. 6

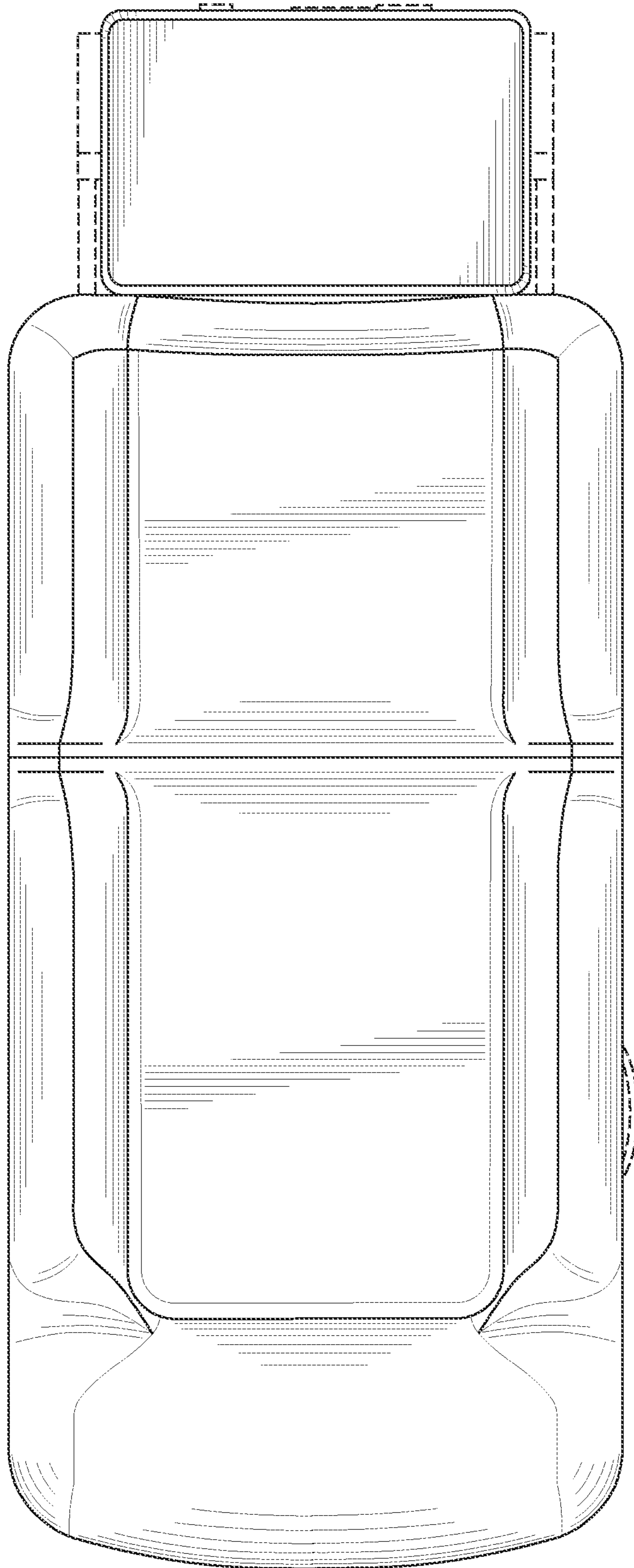


FIG. 7

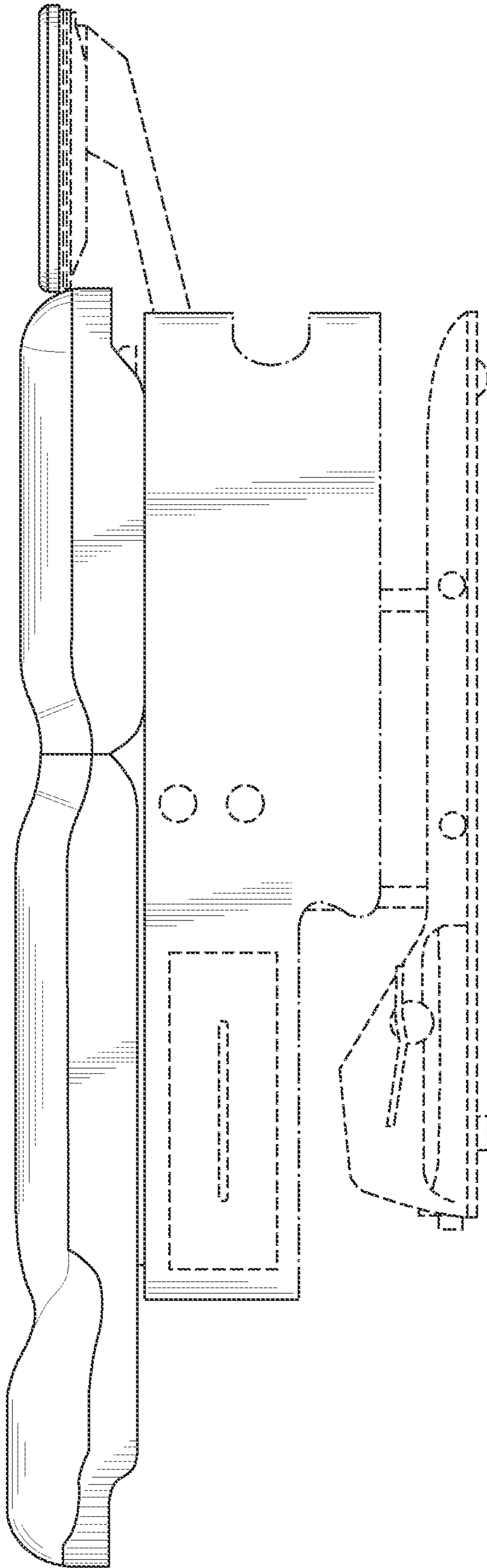


FIG. 8

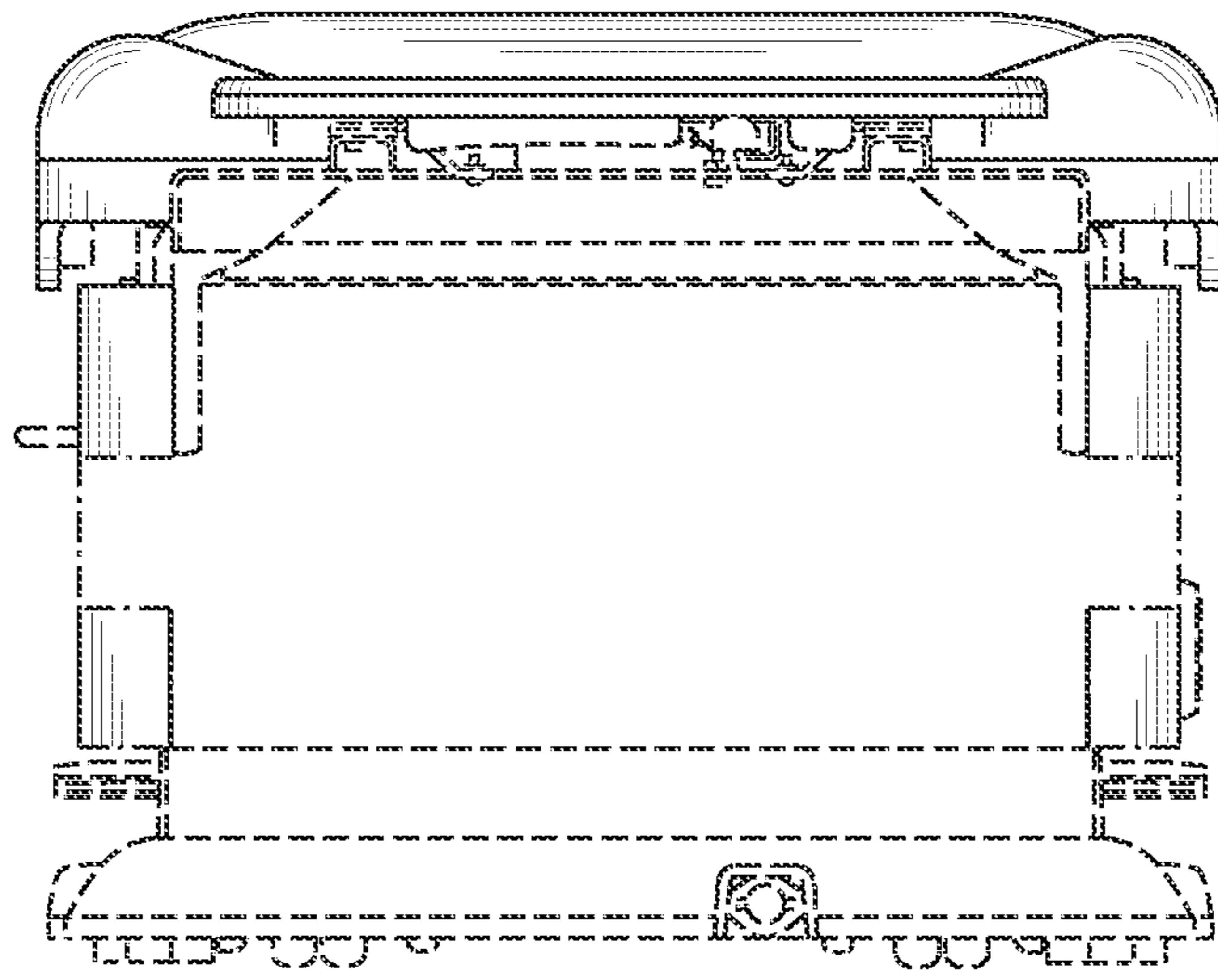


FIG. 9