



US00D954962S

(12) **United States Design Patent**
Hwang et al.

(10) **Patent No.:** **US D954,962 S**
(45) **Date of Patent:** **** Jun. 14, 2022**

(54) **APPARATUS FOR TREATMENT OF MOUTH
ULCERS**

(71) Applicant: **Welsmeditech Co., Ltd.**, Cheonan-si
(KR)

(72) Inventors: **Kyong Won Hwang**, Seoul (KR);
Pyoung Su Moon, Cheonan-si (KR)

(73) Assignee: **WELSMEDITECH CO., LTD.**,
Cheonan-si (KR)

(**) Term: **15 Years**

(21) Appl. No.: **29/732,498**

(22) Filed: **Apr. 24, 2020**

(30) **Foreign Application Priority Data**

Oct. 25, 2019 (KR) 30-2019-0050605

(51) **LOC (13) Cl.** **24-02**

(52) **U.S. Cl.**
USPC **D24/176; D24/181; D24/209**

(58) **Field of Classification Search**
USPC D24/180-182, 152, 176, 110.5, 209, 210;
D29/108
CPC A61C 7/02; A61C 7/08; A61C 7/10; A61C
7/12; A61C 7/14; A61C 7/141; A61C
7/143; A61C 7/145; A61C 7/146; A61C
7/148; A61C 7/16; A61C 7/18; A61M
16/0488; A61M 16/049; A61M 16/0493;
A61M 16/0495; A61M 16/0497; A61F
5/56; A61F 5/566; A63B 71/085; A63B
2071/086; A61N 5/00; A61N 5/06; A61N
2005/0606

See application file for complete search history.

(56) **References Cited**

U.S. PATENT DOCUMENTS

2,857,911 A * 10/1958 Bennett A61B 5/097
128/206.24
D890,930 S * 7/2020 Farrell D24/180

D903,123 S * 11/2020 Farrell D24/181
D904,620 S * 12/2020 Farrell D24/181
D909,586 S * 2/2021 Farrell D24/181
D909,594 S * 2/2021 Kothari D24/209
2004/0211430 A1* 10/2004 Pivovarov A61F 5/566
128/848
2020/0101311 A1* 4/2020 Tahghighi Jafarzadeh
A61N 5/0613
2020/0146659 A1* 5/2020 Ju A61B 13/00

* cited by examiner

Primary Examiner — Lilyana Bekic

Assistant Examiner — Lee D. Starr

(74) *Attorney, Agent, or Firm* — Novick, Kim & Lee,
PLLC; Jae Youn Kim; Hyun Woo Shin

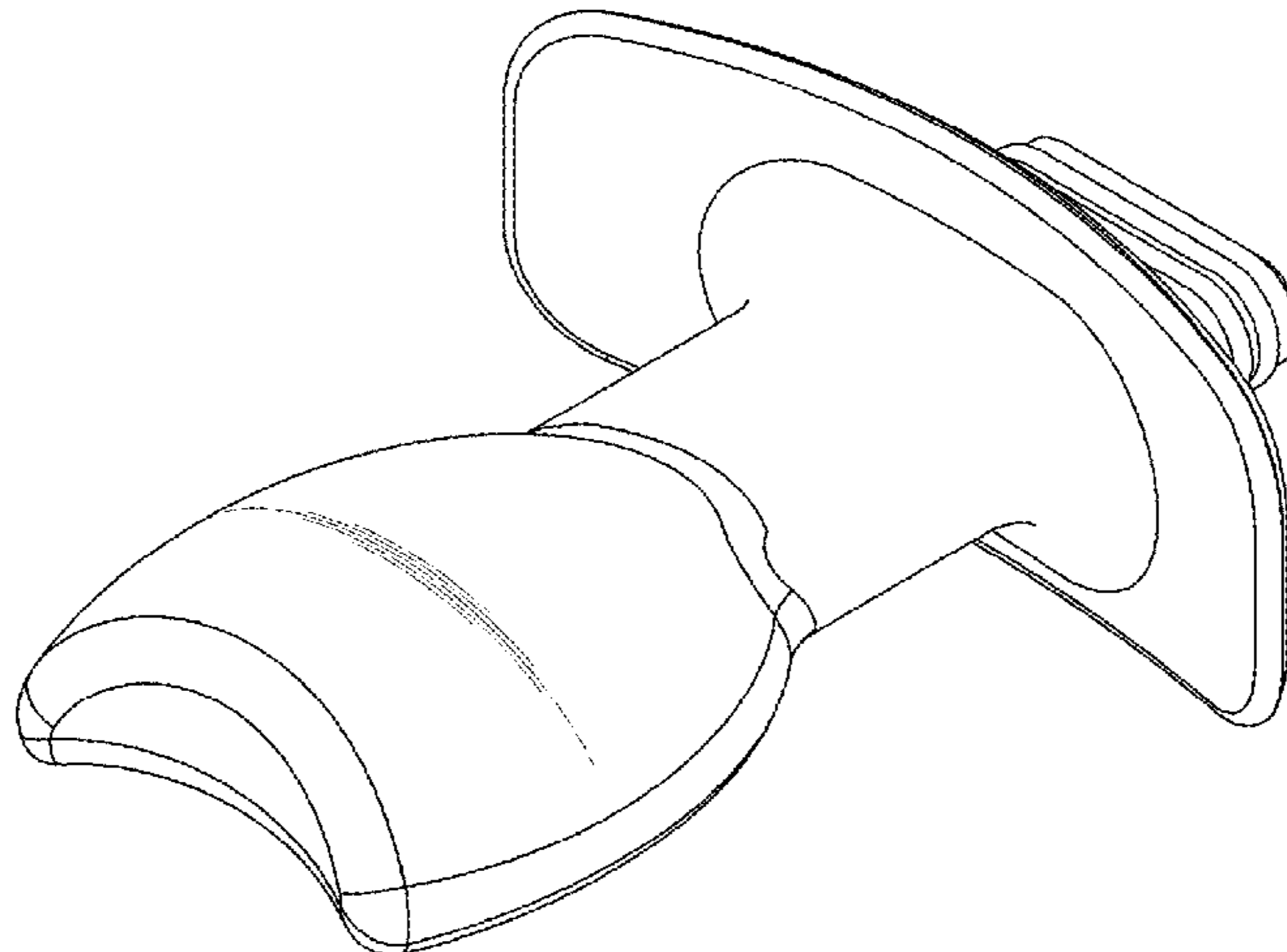
(57) **CLAIM**

We claim the ornamental design for an apparatus for treat-
ment of mouth ulcers, as shown and described.

DESCRIPTION

FIG. 1 is a front, top perspective view of an apparatus for
treatment of mouth ulcers, showing our new design;
FIG. 2 is a front elevational view thereof;
FIG. 3 is a rear elevational view thereof;
FIG. 4 is a left side elevational view thereof;
FIG. 5 is a right side elevational view thereof;
FIG. 6 is a top plan view thereof;
FIG. 7 is a bottom plan view thereof;
FIG. 8 is a rear, bottom perspective view thereof; and,
FIG. 9 is a rear, top perspective view thereof.
The broken lines in the drawings show portions of the
apparatus for treatment of mouth ulcers which form no part
of the claimed design.

1 Claim, 7 Drawing Sheets



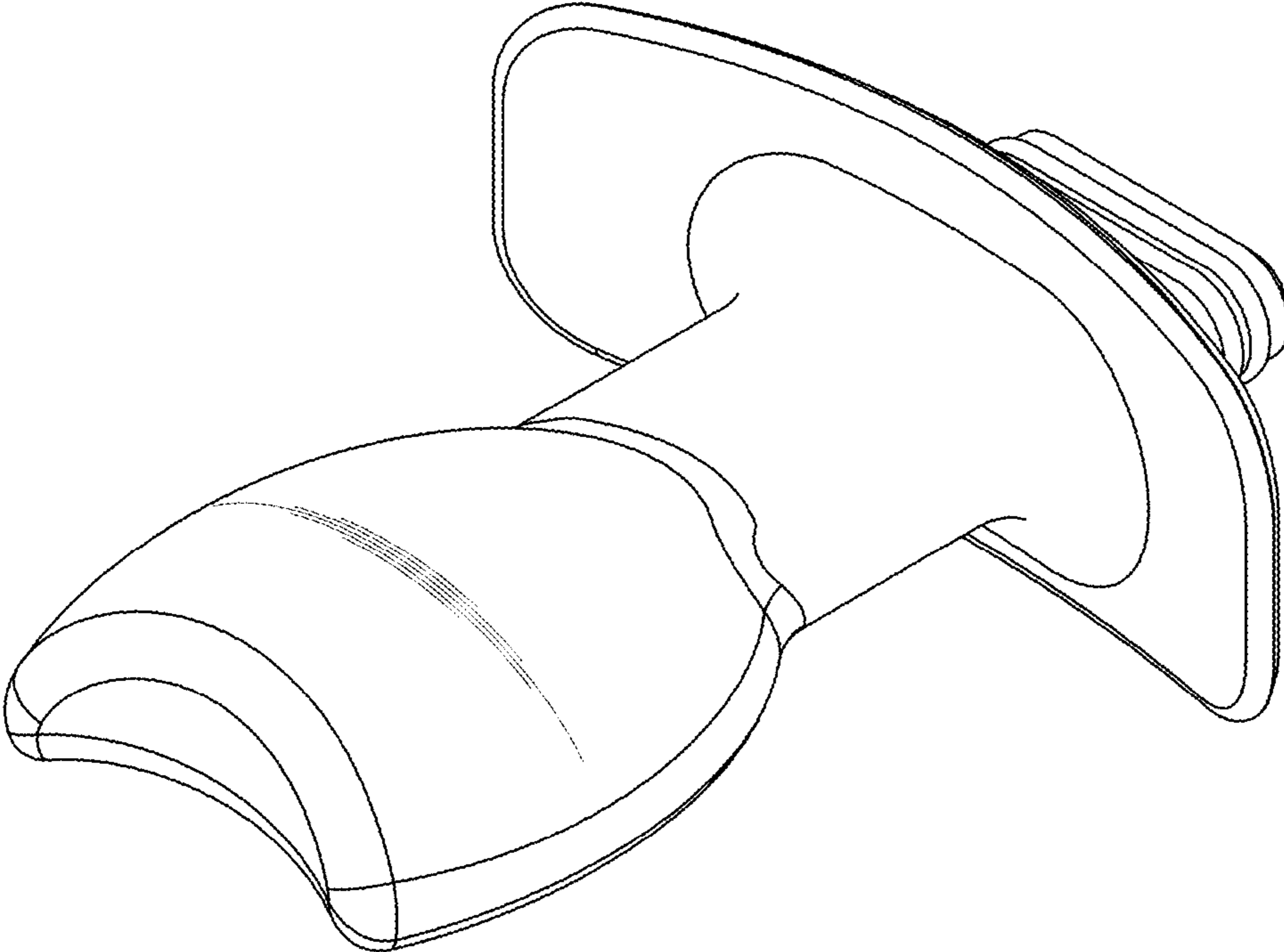


FIG. 1

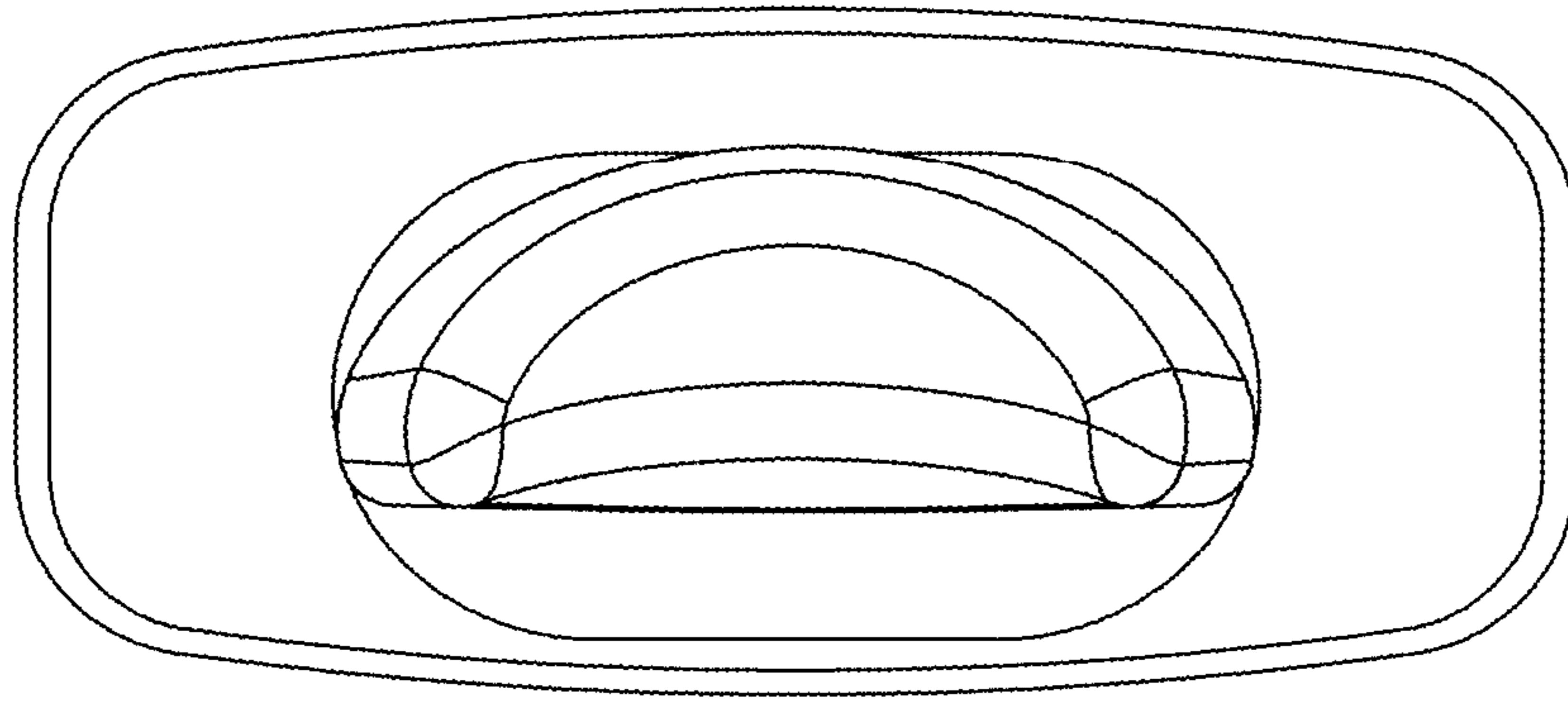


FIG. 2

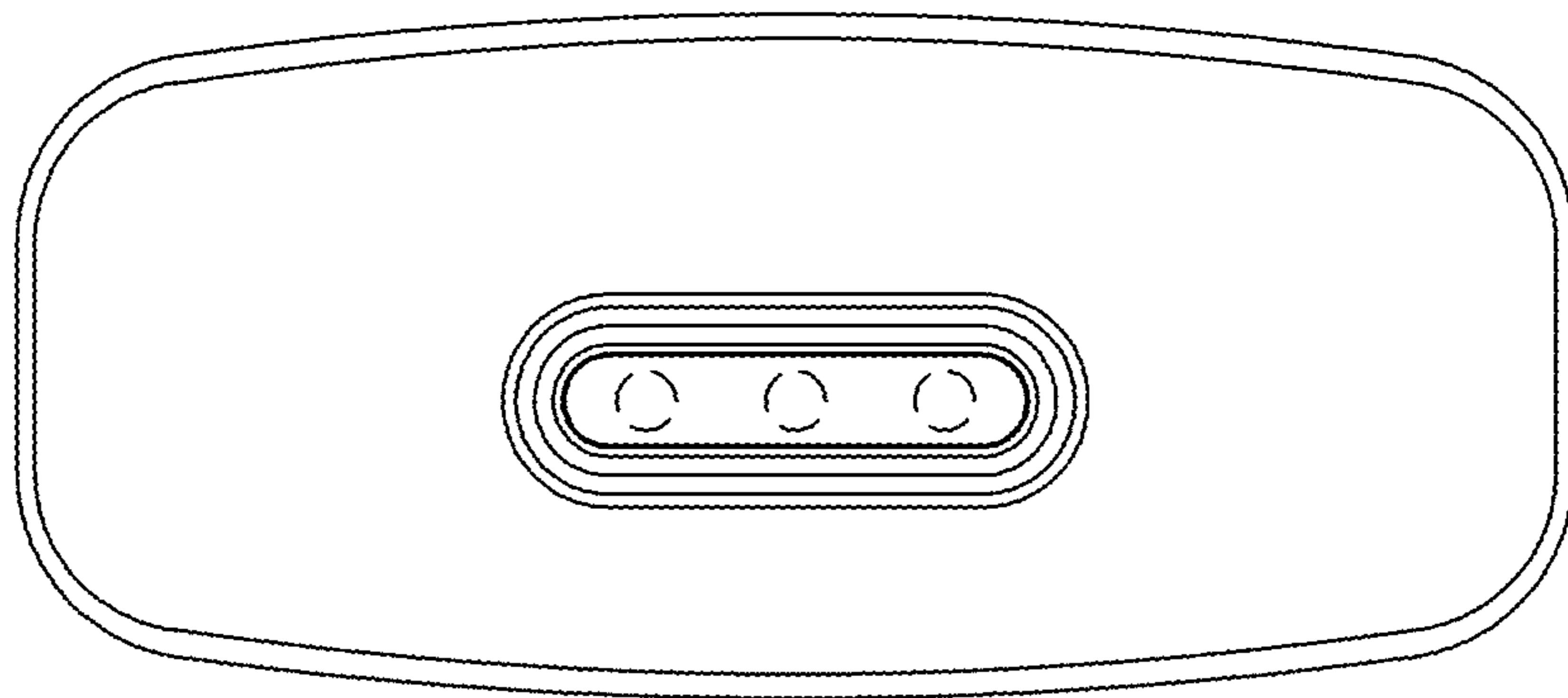


FIG. 3

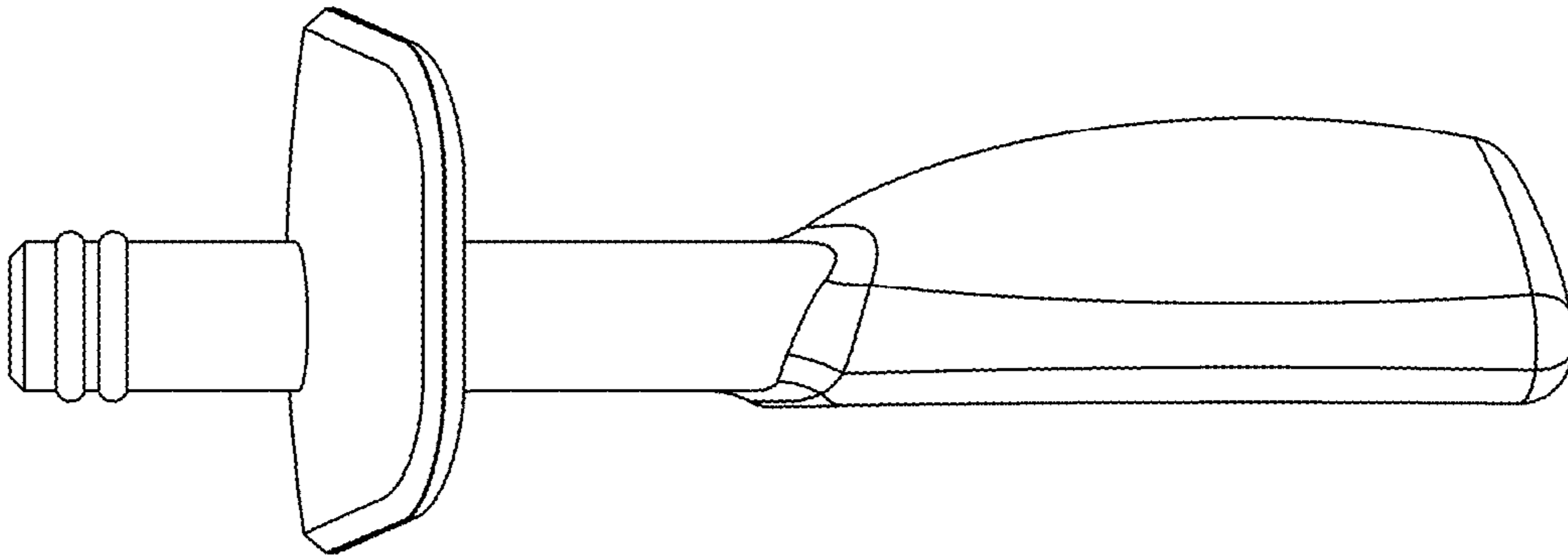


FIG. 4

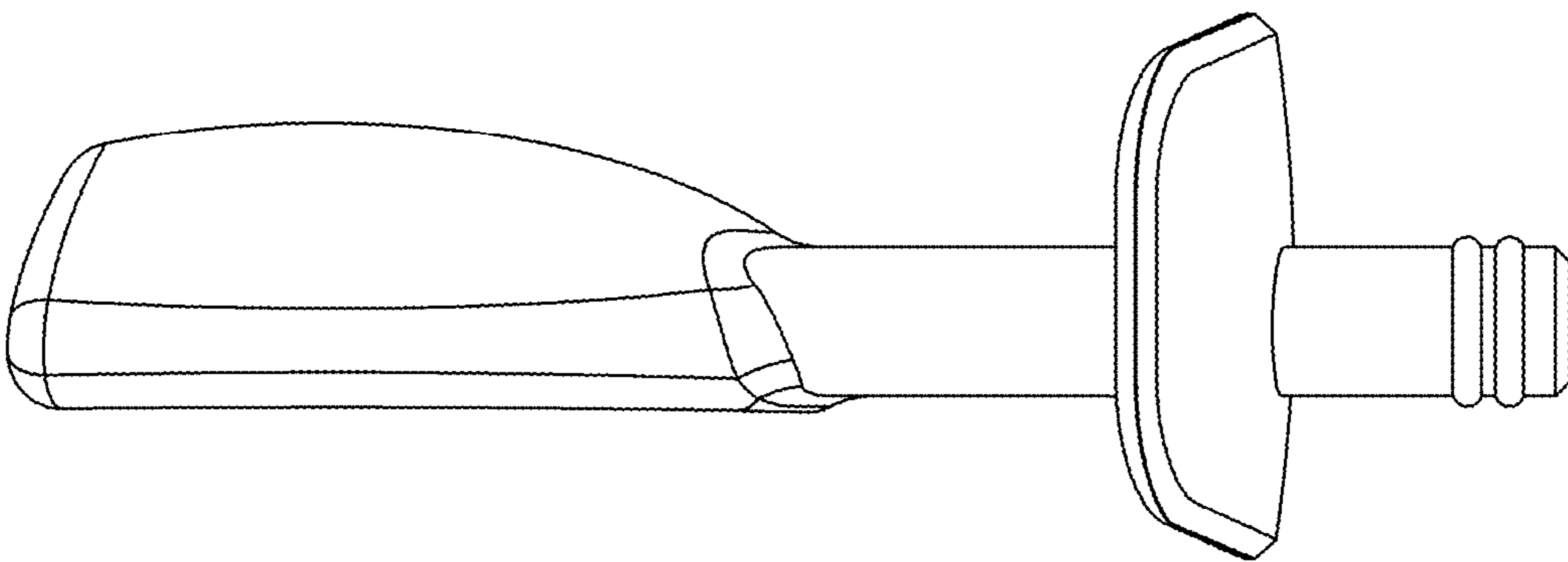


FIG. 5

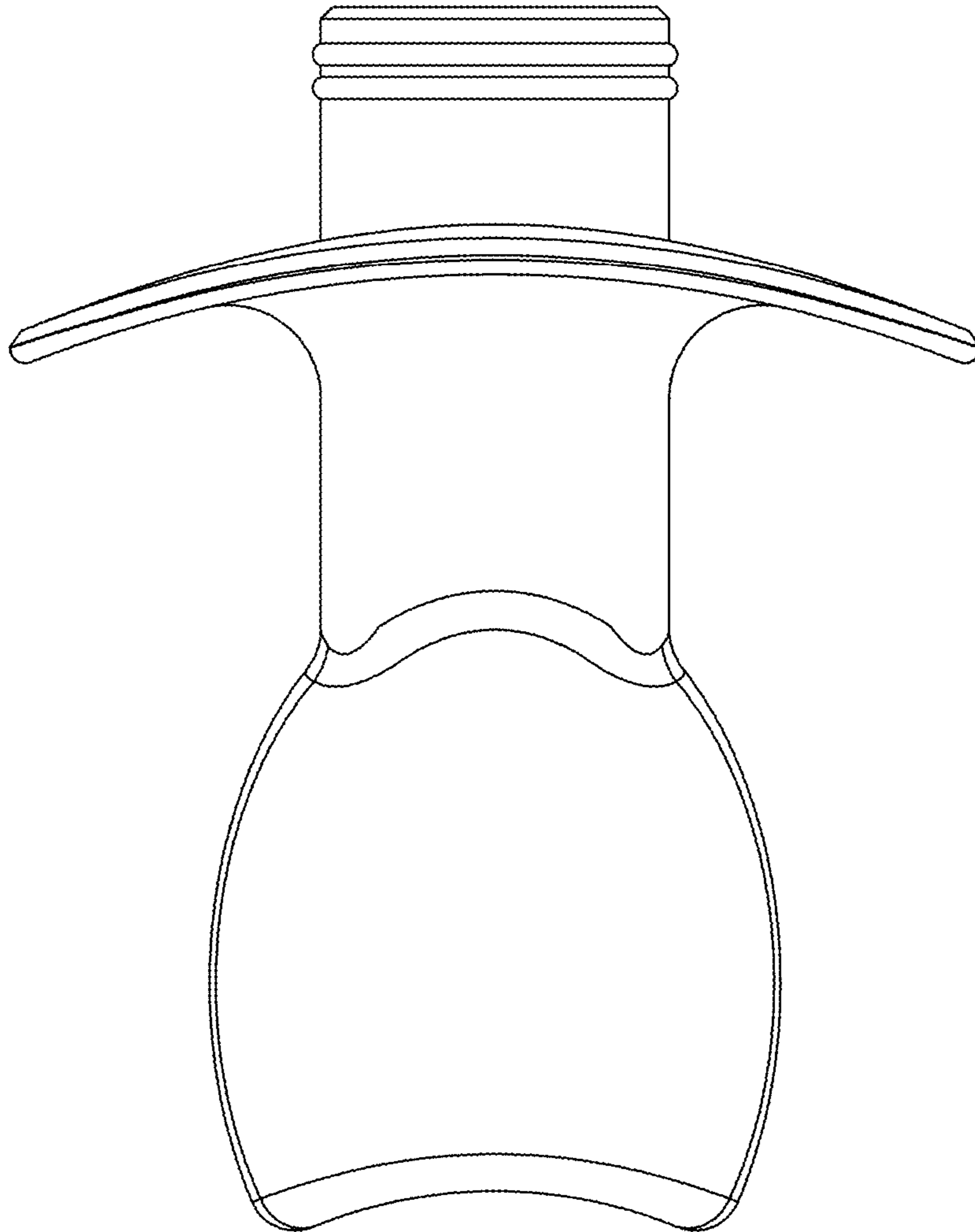


FIG. 6

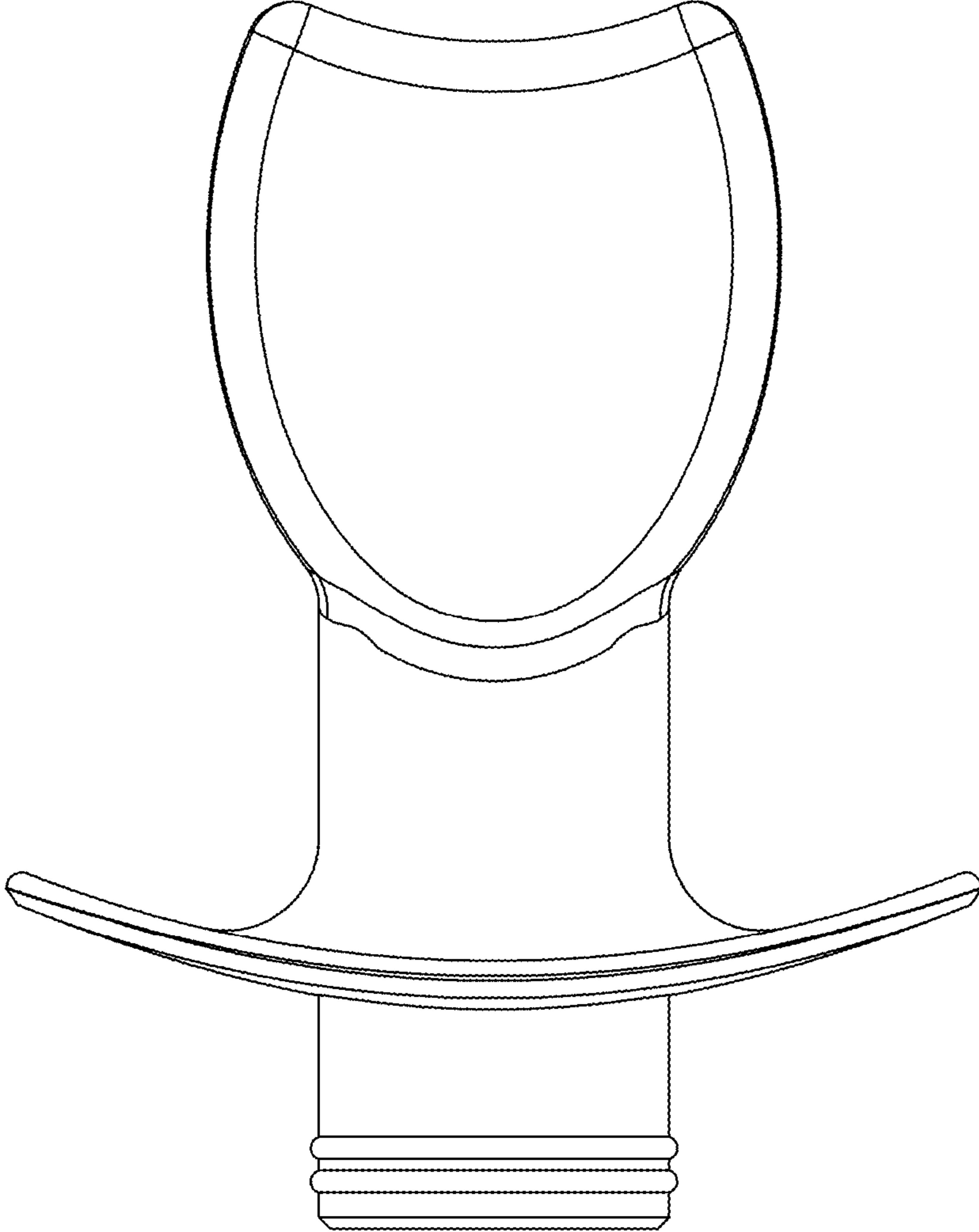


FIG. 7

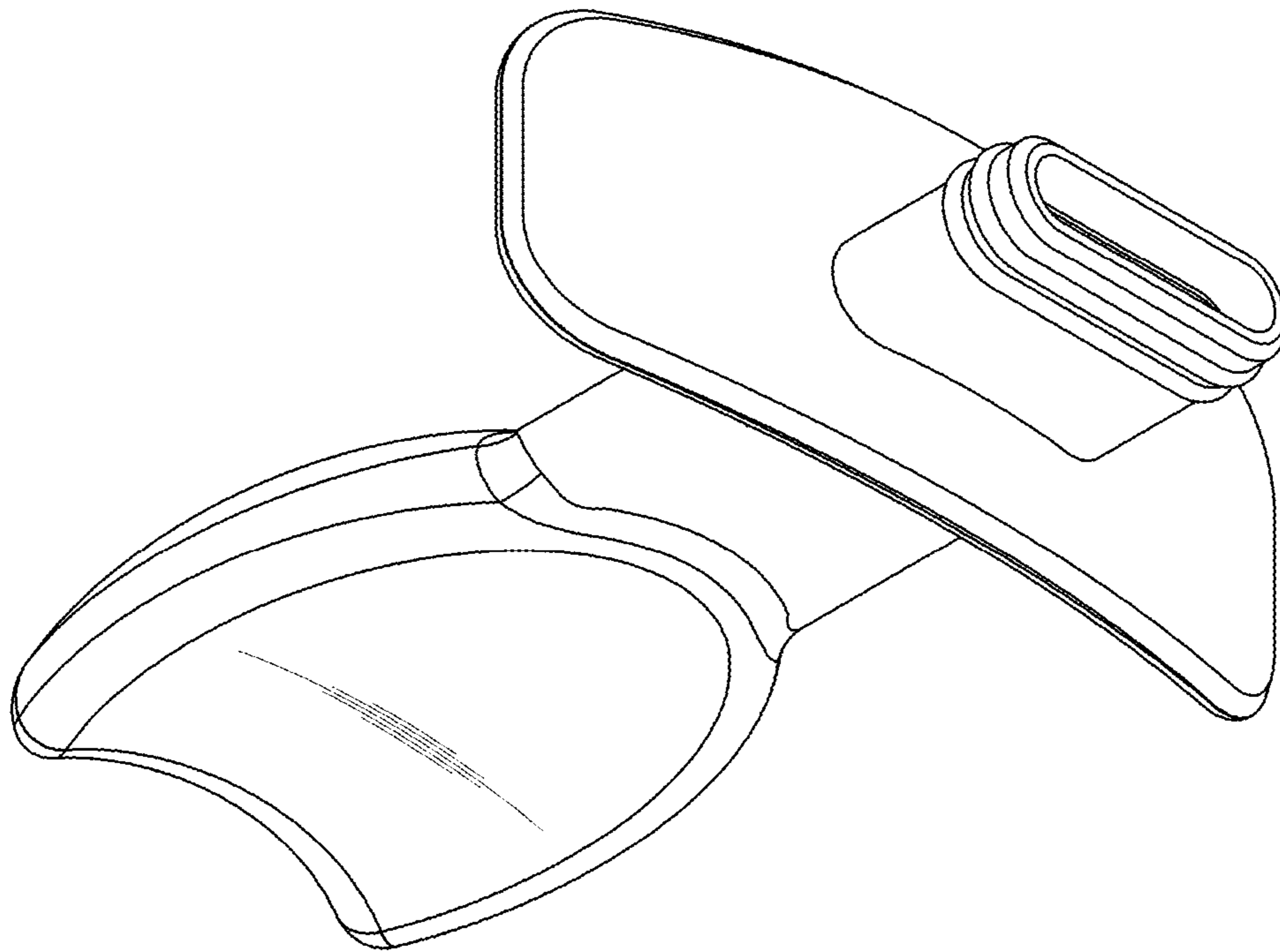


FIG. 8

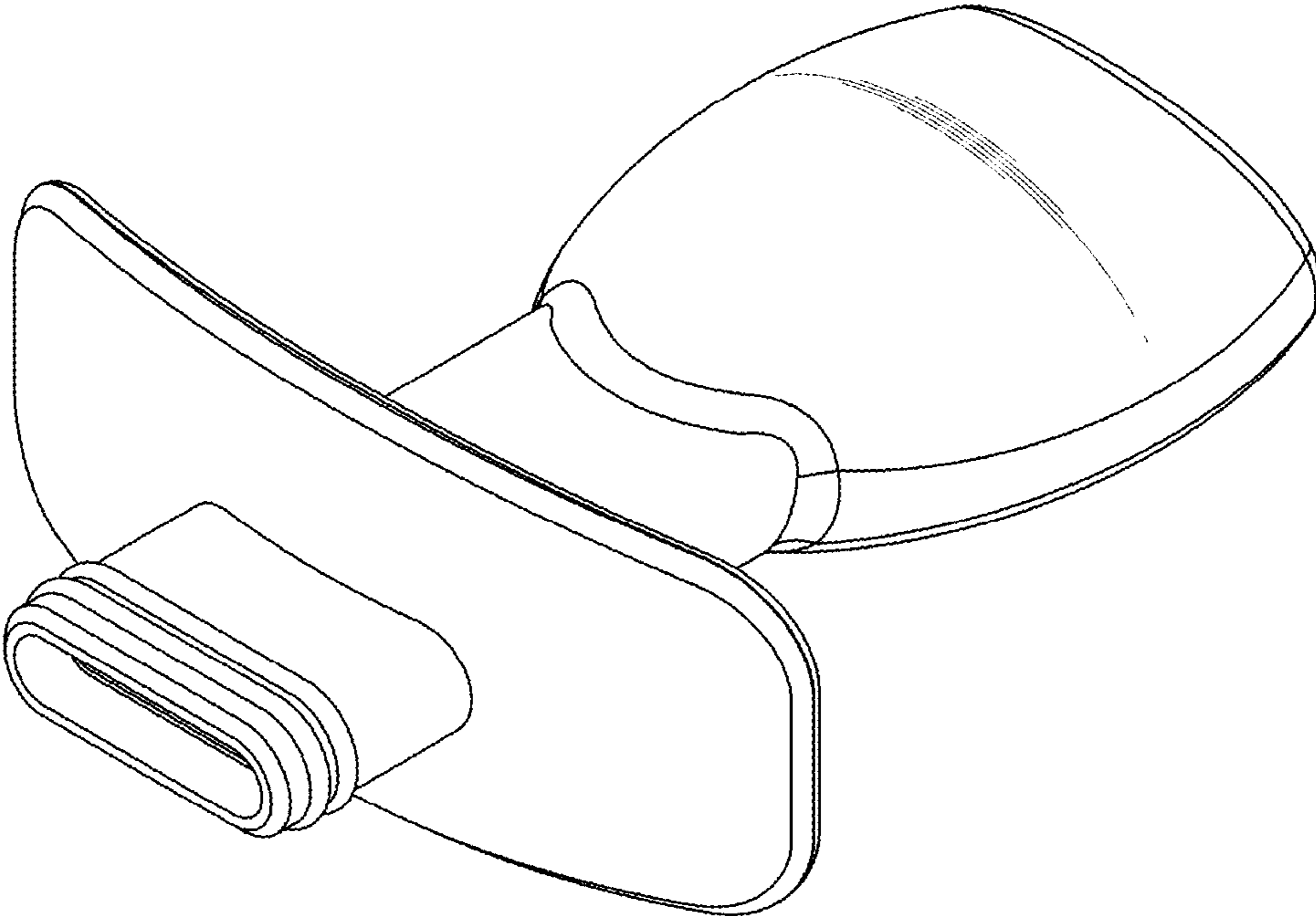


FIG. 9