



US00D954961S

(12) **United States Design Patent**
Hwang et al.

(10) **Patent No.:** **US D954,961 S**
(45) **Date of Patent:** **** Jun. 14, 2022**

(54) **APPARATUS FOR TREATMENT OF MOUTH ULCERS**

(71) Applicant: **Welsmeditech Co., Ltd.**, Cheonan-si (KR)

(72) Inventors: **Kyong Won Hwang**, Seoul (KR);
Pyoung Su Moon, Cheonan-si (KR)

(73) Assignee: **WELSMEDITECH CO., LTD.**,
Cheonan-si (KR)

(**) Term: **15 Years**

(21) Appl. No.: **29/732,493**

(22) Filed: **Apr. 24, 2020**

(30) **Foreign Application Priority Data**

Oct. 25, 2019 (KR) 30-2019-0050604

(51) **LOC (13) Cl.** **24-02**

(52) **U.S. Cl.**
USPC **D24/176**; D24/181; D24/209

(58) **Field of Classification Search**
USPC D24/180–182, 152, 176, 110.5, 209, 210;
D29/108

CPC A61C 7/02; A61C 7/08; A61C 7/10; A61C
7/12; A61C 7/14; A61C 7/141; A61C
7/143; A61C 7/145; A61C 7/146; A61C
7/148; A61C 7/16; A61C 7/18; A61M
16/0488; A61M 16/049; A61M 16/0493;
A61M 16/0495; A61M 16/0497; A61F
5/56; A61F 5/566; A63B 71/085; A63B
2071/086; A61N 5/00; A61N 5/06; A61N
2005/0606

See application file for complete search history.

(56) **References Cited**

U.S. PATENT DOCUMENTS

D215,685 S * 10/1969 Helmer D29/108
D615,187 S * 5/2010 Bowden D24/110

D734,556 S * 7/2015 Brett D29/108
D816,210 S * 4/2018 Gerschman D24/110.5
D849,956 S * 5/2019 Demarest D24/181
D854,679 S * 7/2019 Gerschman D24/110.5
D864,399 S * 10/2019 Qin D24/176
D885,583 S * 5/2020 Haiola D24/181
D904,621 S * 12/2020 Bould D24/181

(Continued)

OTHER PUBLICATIONS

Wels Meditech company website. Welsmeditech.com. Date viewed:
May 18, 2021. Retrieved from internet: <http://welsmeditech.com/>
(Year: 2021).*

(Continued)

Primary Examiner — Lilyana Bekic

Assistant Examiner — Lee D. Starr

(74) *Attorney, Agent, or Firm* — Novick, Kim & Lee,
PLLC; Jae Youn Kim; Hyun Woo Shin

(57) **CLAIM**

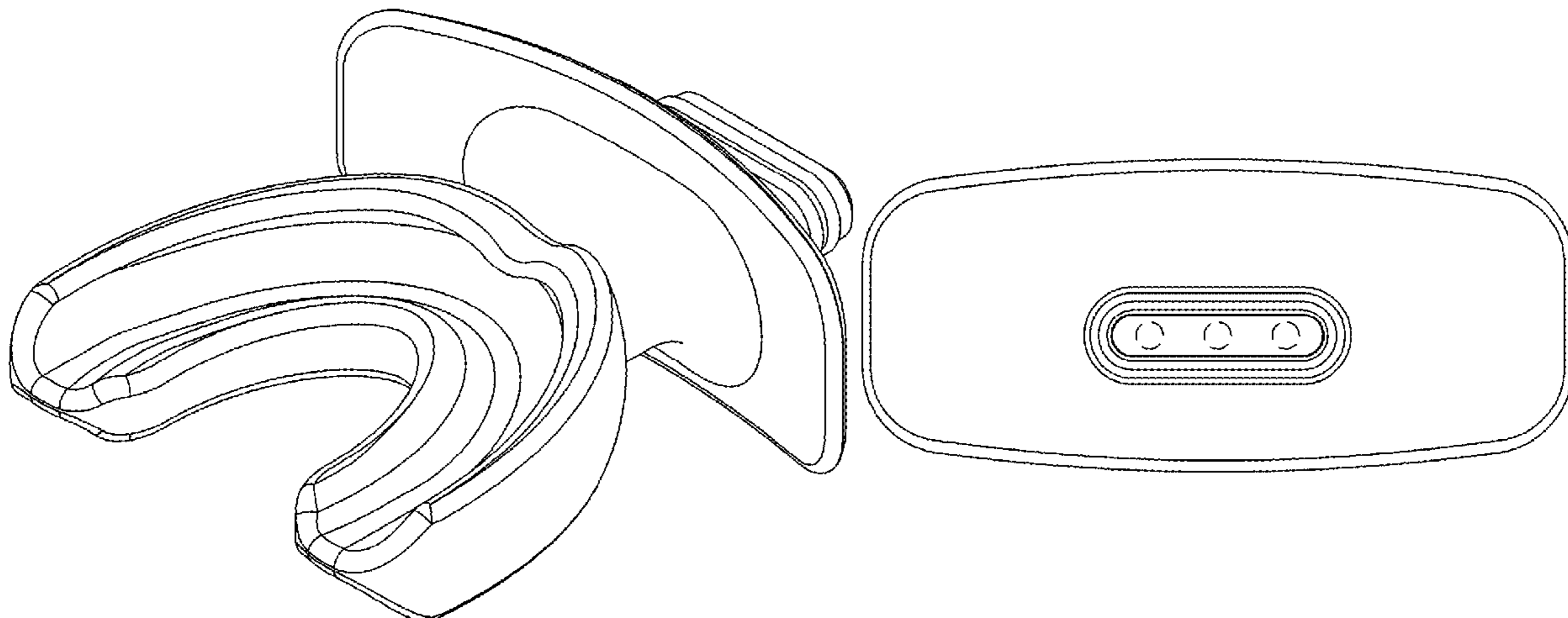
We claim the ornamental design for an apparatus for treat-
ment of mouth ulcers, as shown and described.

DESCRIPTION

FIG. 1 is a front, top perspective view of an apparatus for
treatment of mouth ulcers, showing our new design;
FIG. 2 is a front elevational view thereof;
FIG. 3 is a rear elevational view thereof;
FIG. 4 is a left side elevational view thereof;
FIG. 5 is a right side elevational view thereof;
FIG. 6 is a top plan view thereof;
FIG. 7 is a bottom plan view thereof;
FIG. 8 is a rear, bottom perspective view thereof; and,
FIG. 9 is a rear, top perspective view thereof.

The broken lines in the drawings show portions of the
apparatus for treatment of mouth ulcers which form no part
of the claimed design.

1 Claim, 7 Drawing Sheets



(56)

References Cited

U.S. PATENT DOCUMENTS

D908,223 S * 1/2021 Pai D24/176
D908,890 S * 1/2021 Demarest D24/181
D912,826 S * 3/2021 Bao D24/181
2014/0272761 A1* 9/2014 Lowe A61C 17/005
433/24
2014/0272770 A1* 9/2014 Hurley A61C 5/90
433/29
2017/0080249 A1* 3/2017 Brawn A61N 5/103
2017/0173353 A1* 6/2017 Demarest A61C 19/063
2017/0173355 A1* 6/2017 Demarest A61C 19/066
2017/0209300 A1* 7/2017 Radmand A61F 5/566
2018/0256916 A1* 9/2018 Kothari A61N 5/0624
2019/0240435 A1* 8/2019 Anderson A61M 16/024
2019/0336843 A1* 11/2019 Haiola A63B 71/085
2020/0047056 A1* 2/2020 Wilson A63B 71/085
2020/0114165 A1* 4/2020 Bloch A61C 19/066
2020/0268545 A1* 8/2020 Huang A61F 5/56
2021/0137665 A1* 5/2021 Burke A61N 5/0603

OTHER PUBLICATIONS

Lumoral Starter Kit. lumoral.com. Oldest review date: Feb. 6, 2021.
Retrieval date: May 20, 2021. Retrieved from internet: <https://www.lumoral.com/products/lumoral-starter-kit> (Year: 2021).*

* cited by examiner

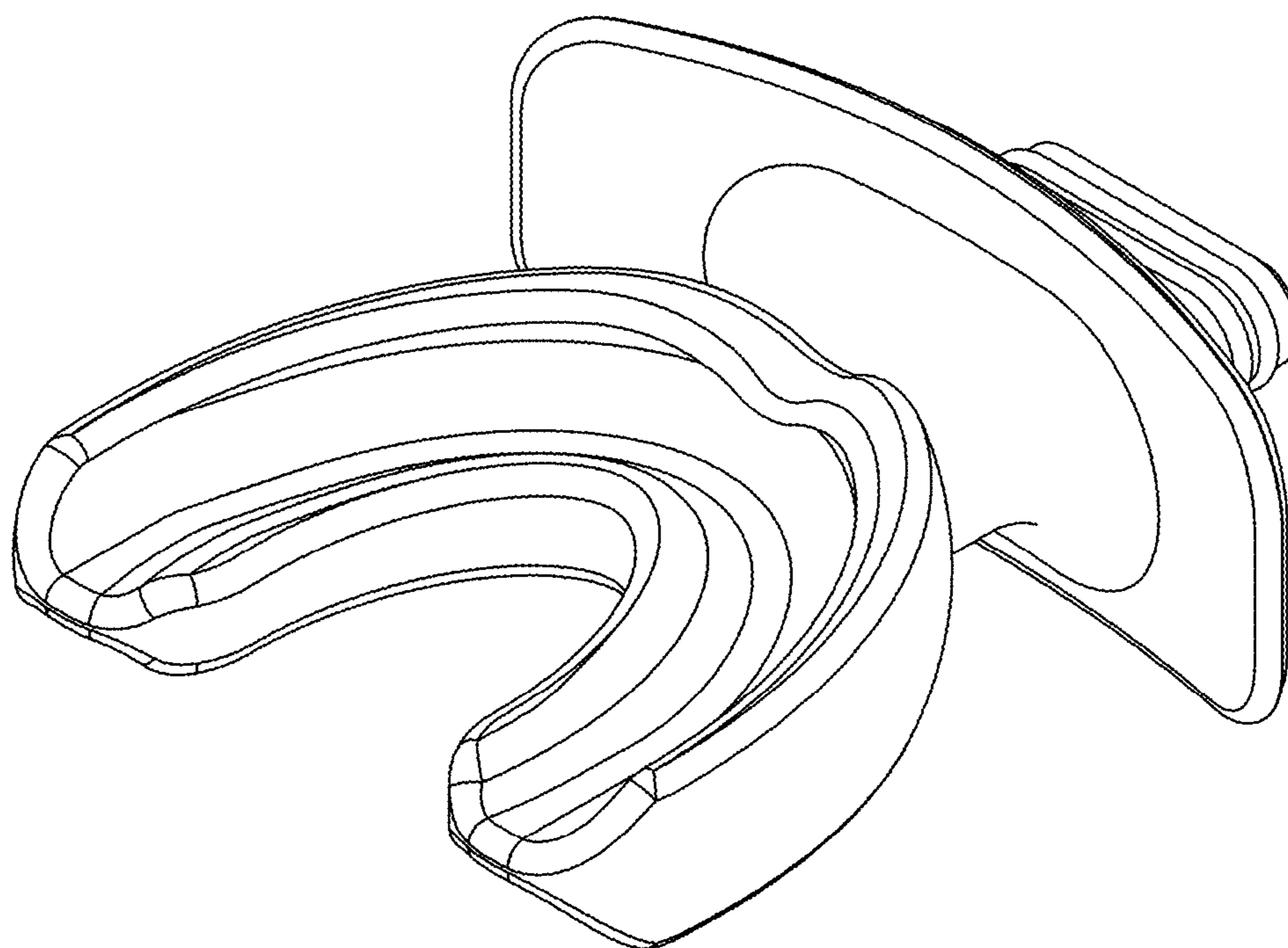


FIG. 1

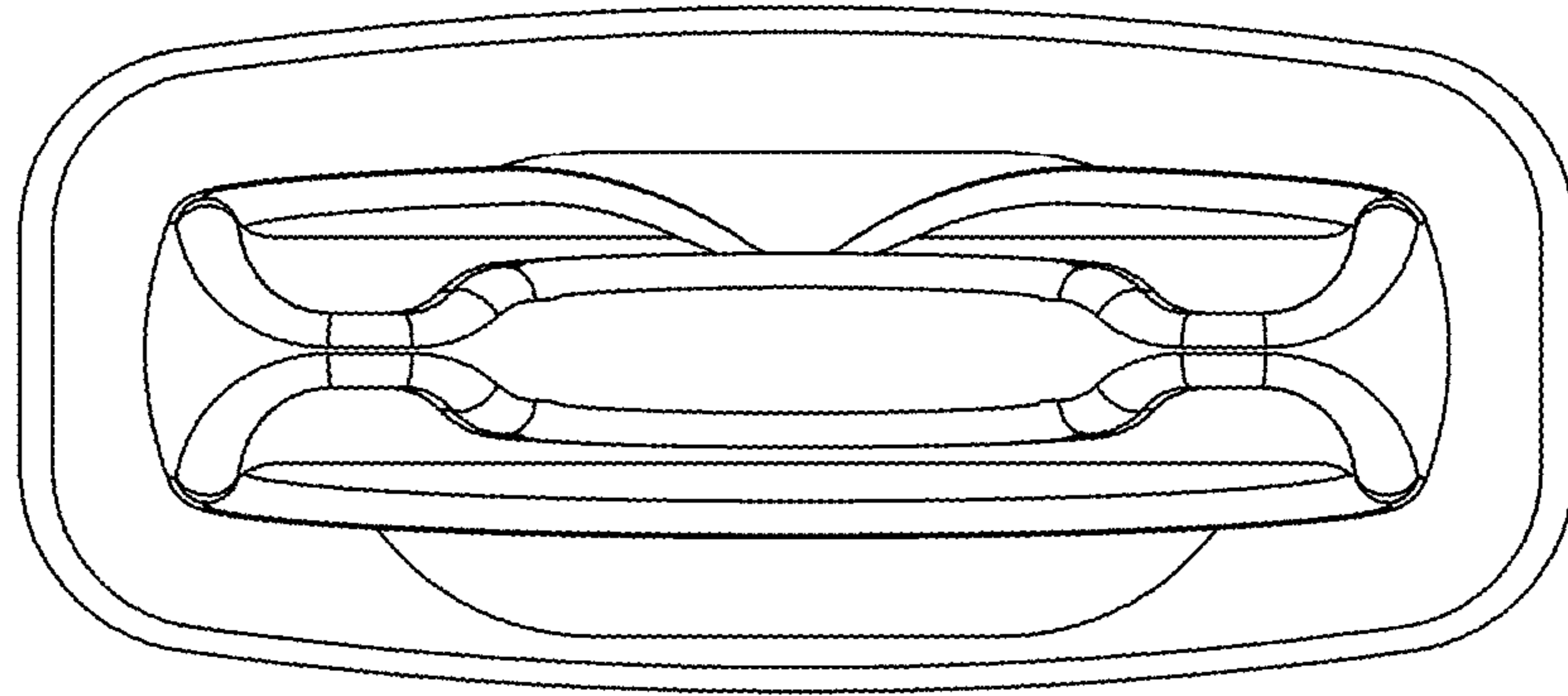


FIG. 2

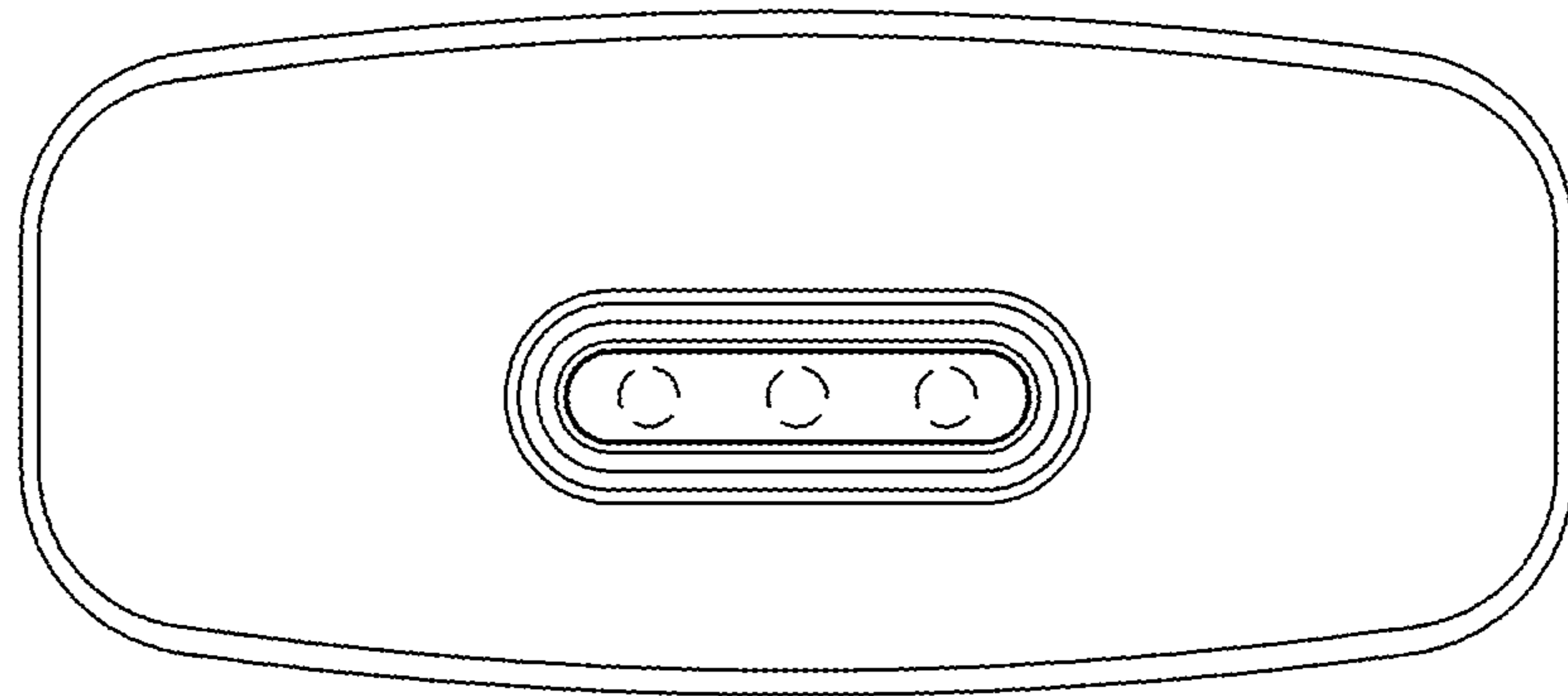


FIG. 3

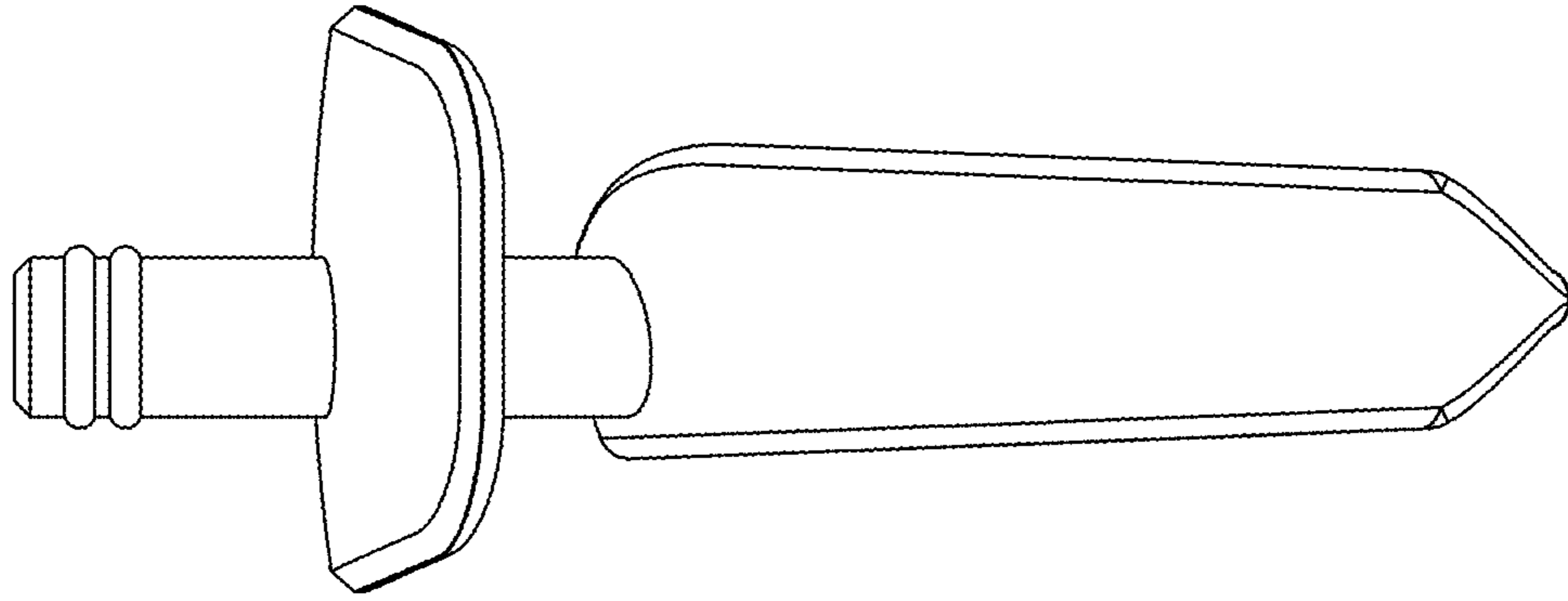


FIG. 4

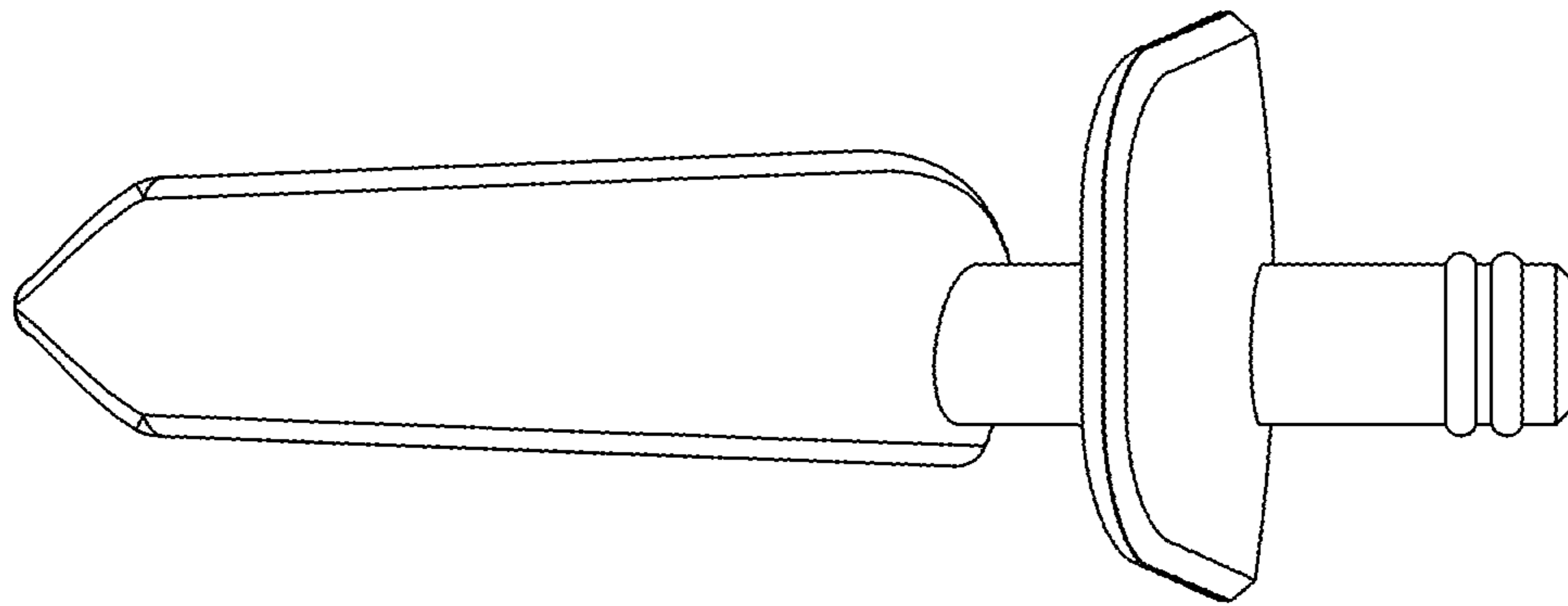


FIG. 5

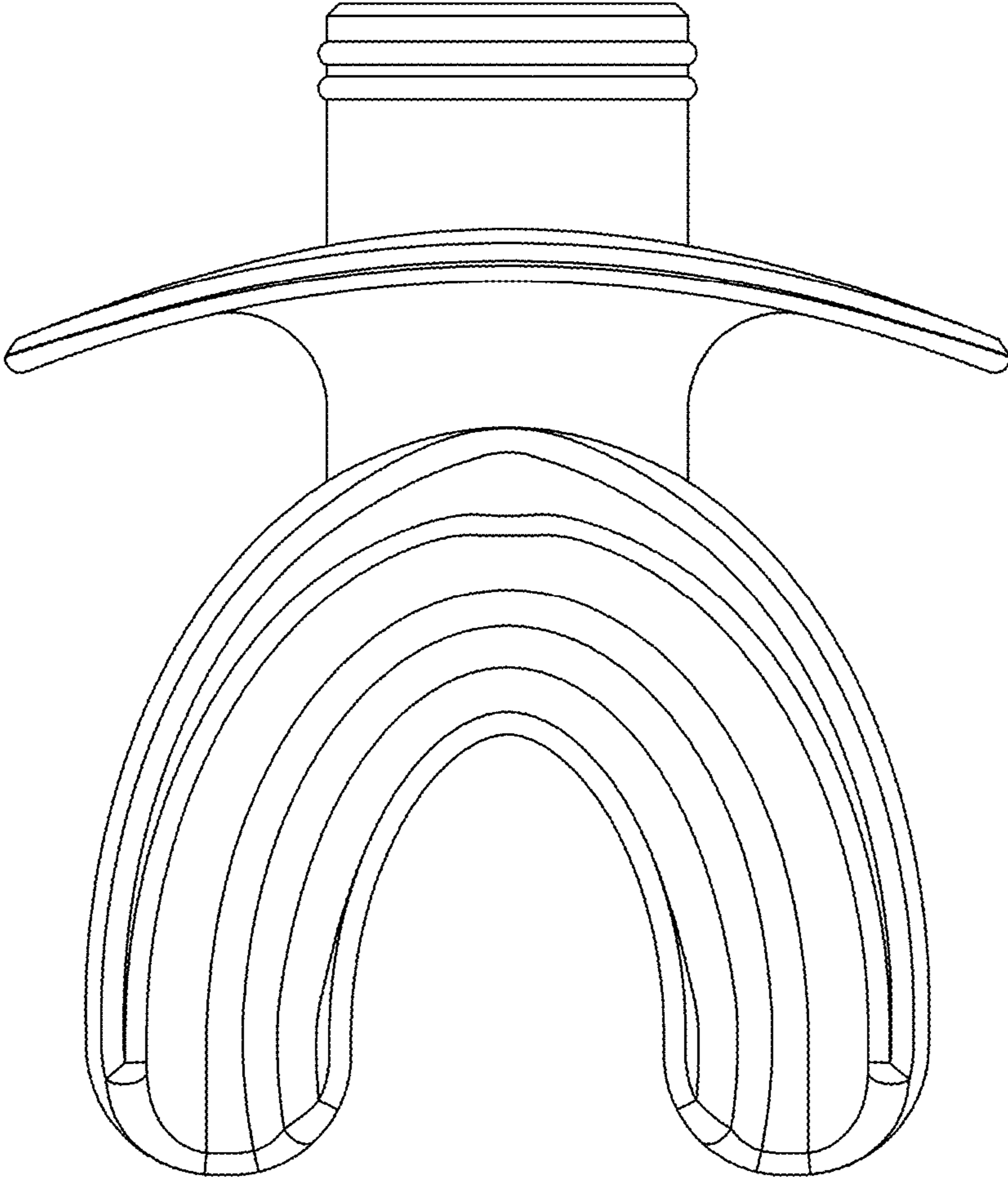


FIG. 6

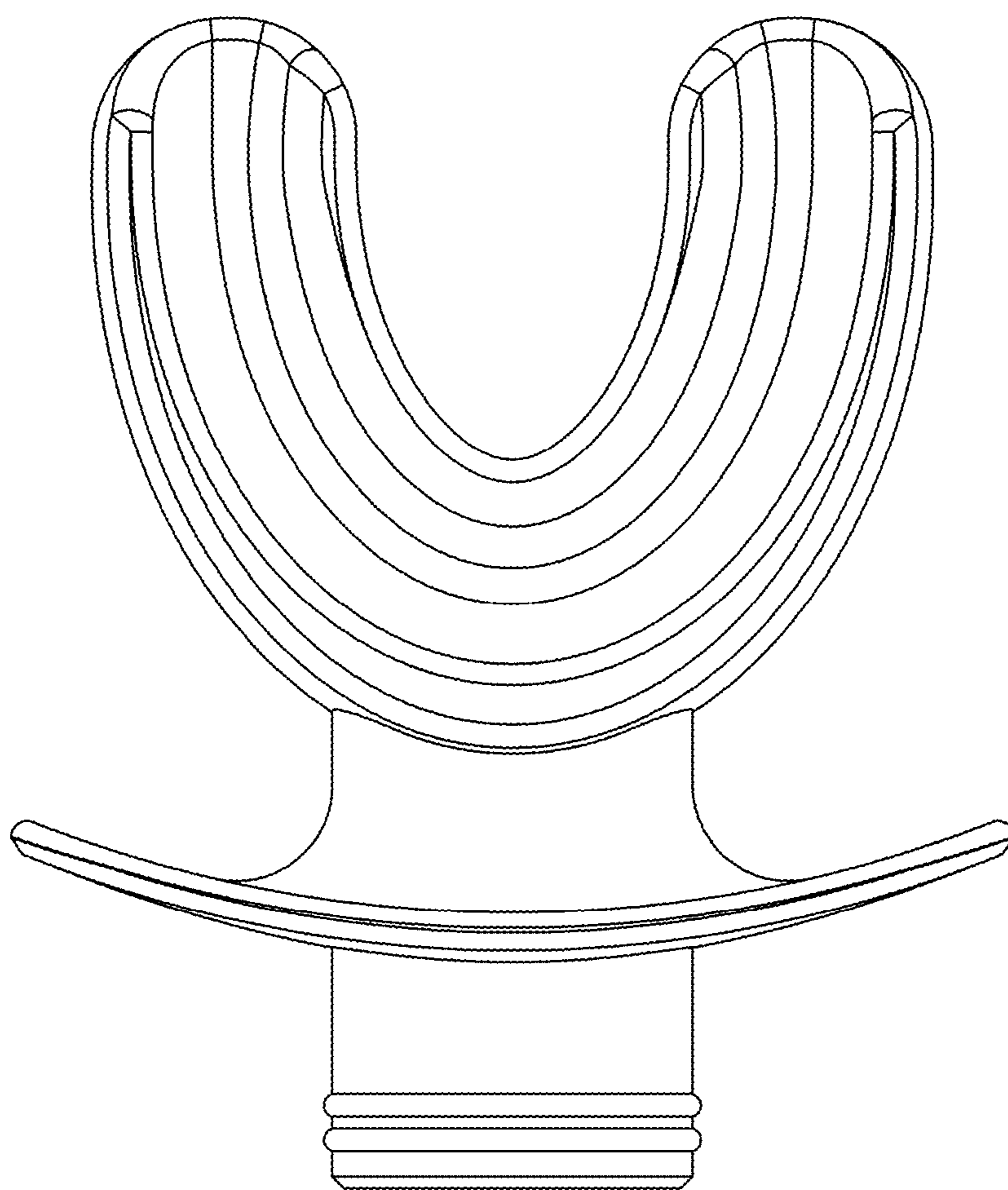


FIG. 7

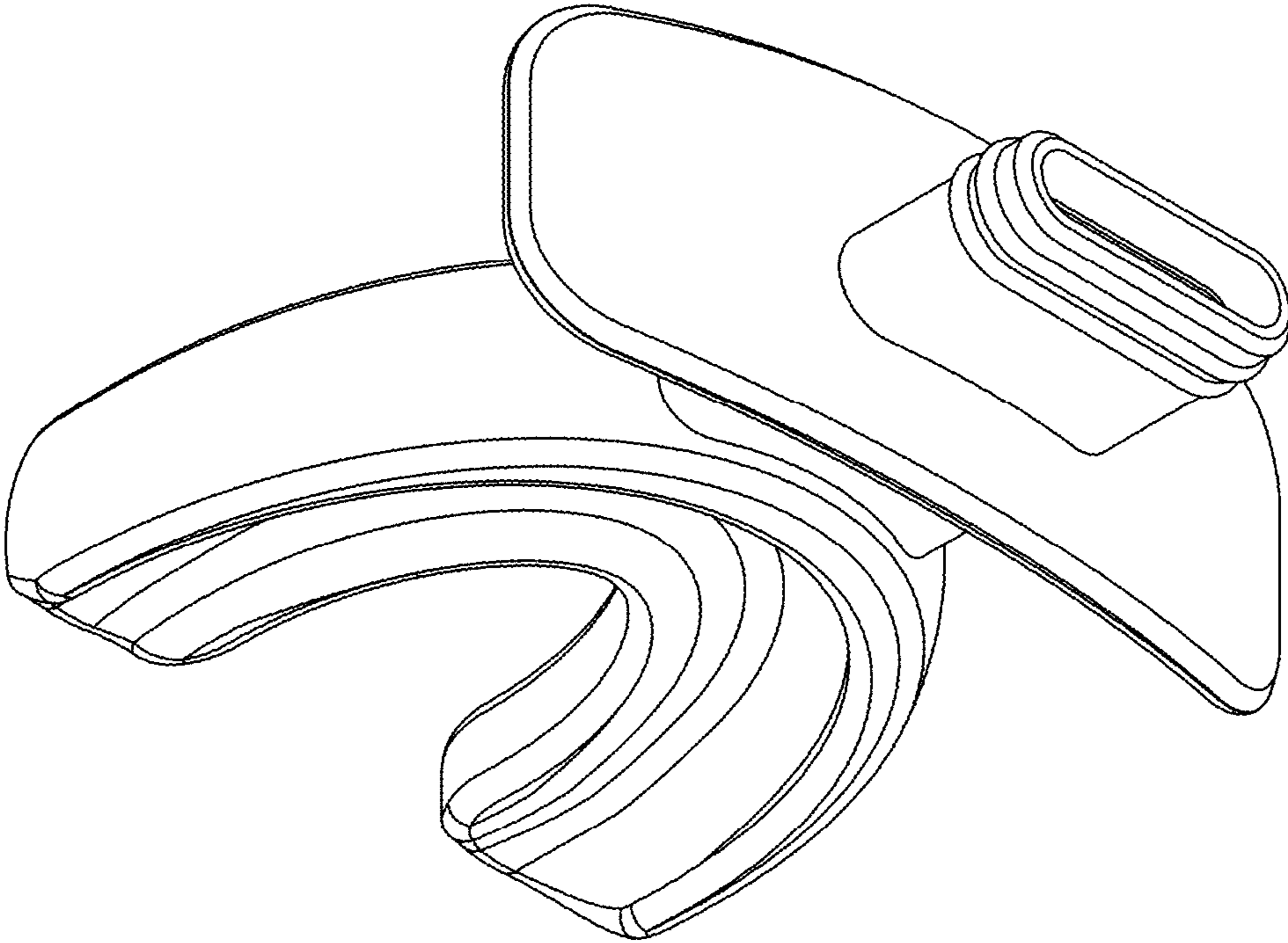


FIG. 8

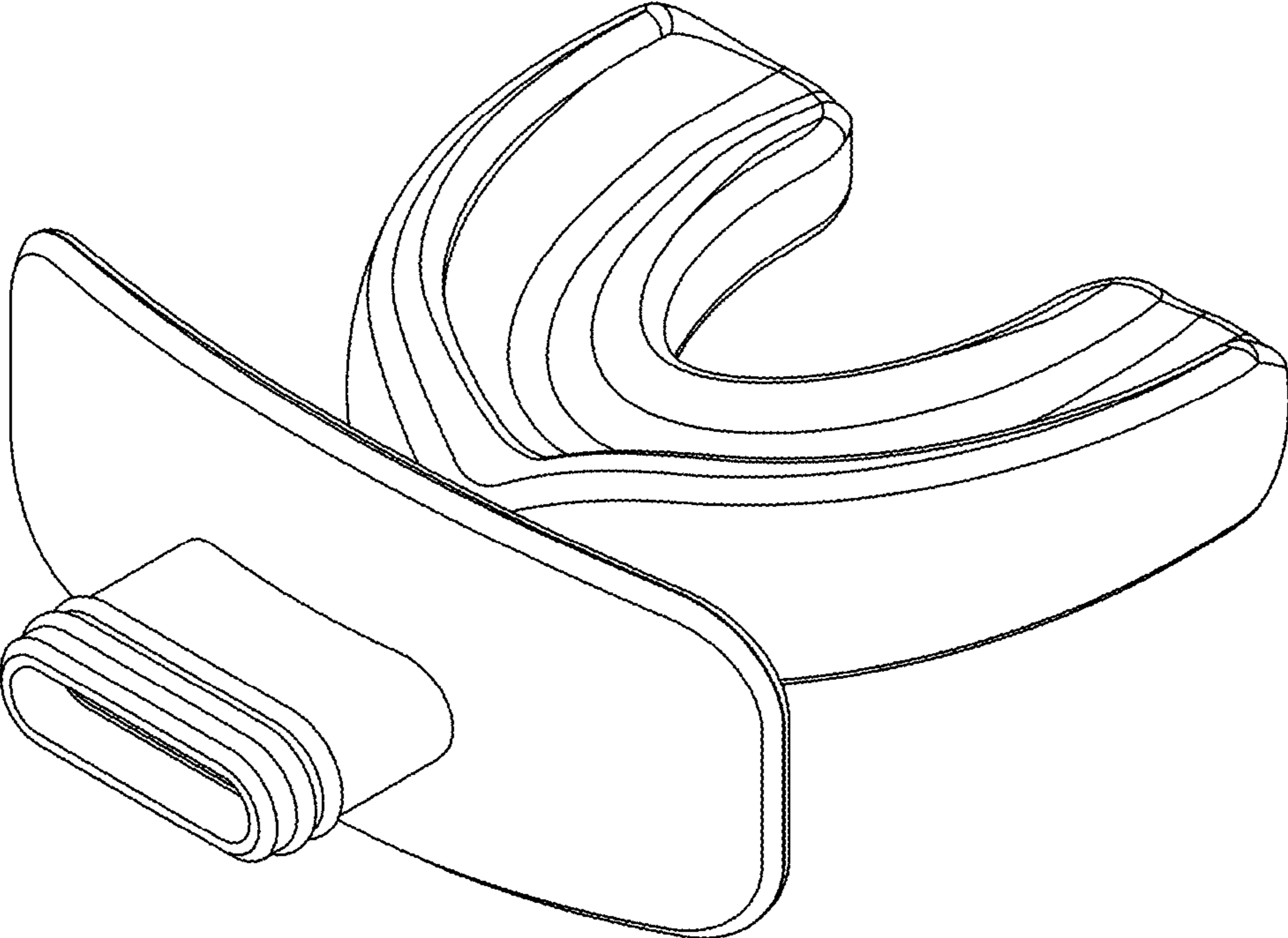


FIG. 9