



US00D954959S

(12) **United States Design Patent**
Rizzo et al.

(10) **Patent No.:** **US D954,959 S**
(45) **Date of Patent:** **** Jun. 14, 2022**

(54) **STRAP FOR COMPRESSION DEVICES**

(71) Applicant: **Recovery Force, LLC**, Fishers, IN (US)

(72) Inventors: **Vincent Rizzo**, Westfield, IN (US); **Jeffrey Schwegman**, Indianapolis, IN (US); **Jason M. Bobay**, Fishers, IN (US); **Matthew Wyatt**, Fishers, IN (US)

(73) Assignee: **Recovery Force, LLC**, Fishers, IN (US)

(**) Term: **15 Years**

(21) Appl. No.: **29/652,827**

(22) Filed: **Dec. 10, 2020**

(51) **LOC (13) Cl.** **24-01**

(52) **U.S. Cl.**
USPC **D24/169**; D24/143

(58) **Field of Classification Search**
USPC D24/143, 169, 164, 165, 167, 168, 188, D24/190, 200; D11/218; D8/383, 394
CPC A61H 2209/00; A61H 2201/165; A61H 2201/1602; A61H 2201/5005; A61H 2201/5053; A61H 2201/5056; A61H 2011/005; A61B 17/1327; A61B 17/1325; A61B 17/1355; A61B 2017/12004
See application file for complete search history.

(56) **References Cited**

U.S. PATENT DOCUMENTS

D272,186 S *	1/1984	Peck	D24/143
D639,438 S *	6/2011	George	D24/169
D689,608 S *	9/2013	Kerstein	D24/143
D705,429 S *	5/2014	Cheney	D24/189
D706,939 S *	6/2014	Weaver, II	D24/190

D733,305 S *	6/2015	Miyashita	D24/169
D812,170 S *	3/2018	Henderson	D24/169
D825,752 S *	8/2018	Dimino	D24/143
10,194,917 B1 *	2/2019	Carson	A61B 17/1327
D861,903 S *	10/2019	Cryan	D24/200
10,441,491 B2 *	10/2019	Wyatt	A61H 7/007
D886,313 S *	6/2020	Payne	D24/207
10,688,007 B2 *	6/2020	Wyatt	A61H 7/007
11,179,291 B2 *	11/2021	Rizzo	A61H 11/02
2015/0374533 A1 *	12/2015	Abuhamad	A61B 17/1325 606/201
2019/0274692 A1 *	9/2019	Lampropoulos	A61B 17/135

* cited by examiner

Primary Examiner — Anhdao Doan

(74) *Attorney, Agent, or Firm* — Maginot, Moore & Beck, LLP

(57) **CLAIM**

The ornamental design for a strap for compression devices, as shown and described.

DESCRIPTION

FIG. 1 is a right perspective view of a design for a strap for compression devices.

FIG. 2 is a right perspective view of the design shown in FIG. 1 with an end part of the strap folded over itself in one use configuration.

FIG. 3 is a top plan view of the design shown in FIG. 1.

FIG. 4 is a bottom plan view of the design shown in FIG. 1.

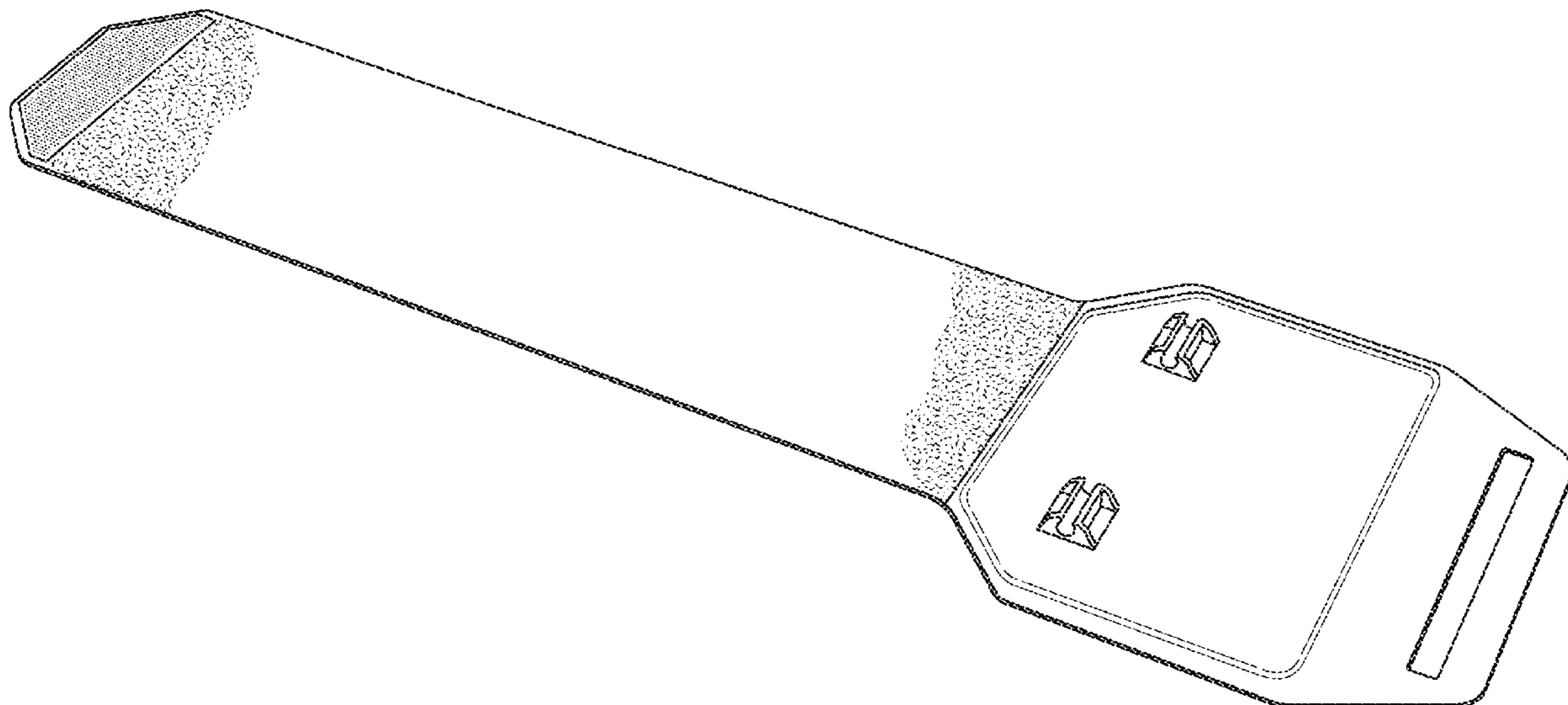
FIG. 5 is a right side elevational view of the design shown in FIG. 1.

FIG. 6 is a left side elevational view of the design shown in FIG. 1.

FIG. 7 is a right end elevational view of the design shown in FIG. 1; and,

FIG. 8 is a left end elevational view of the design shown in FIG. 1.

1 Claim, 4 Drawing Sheets



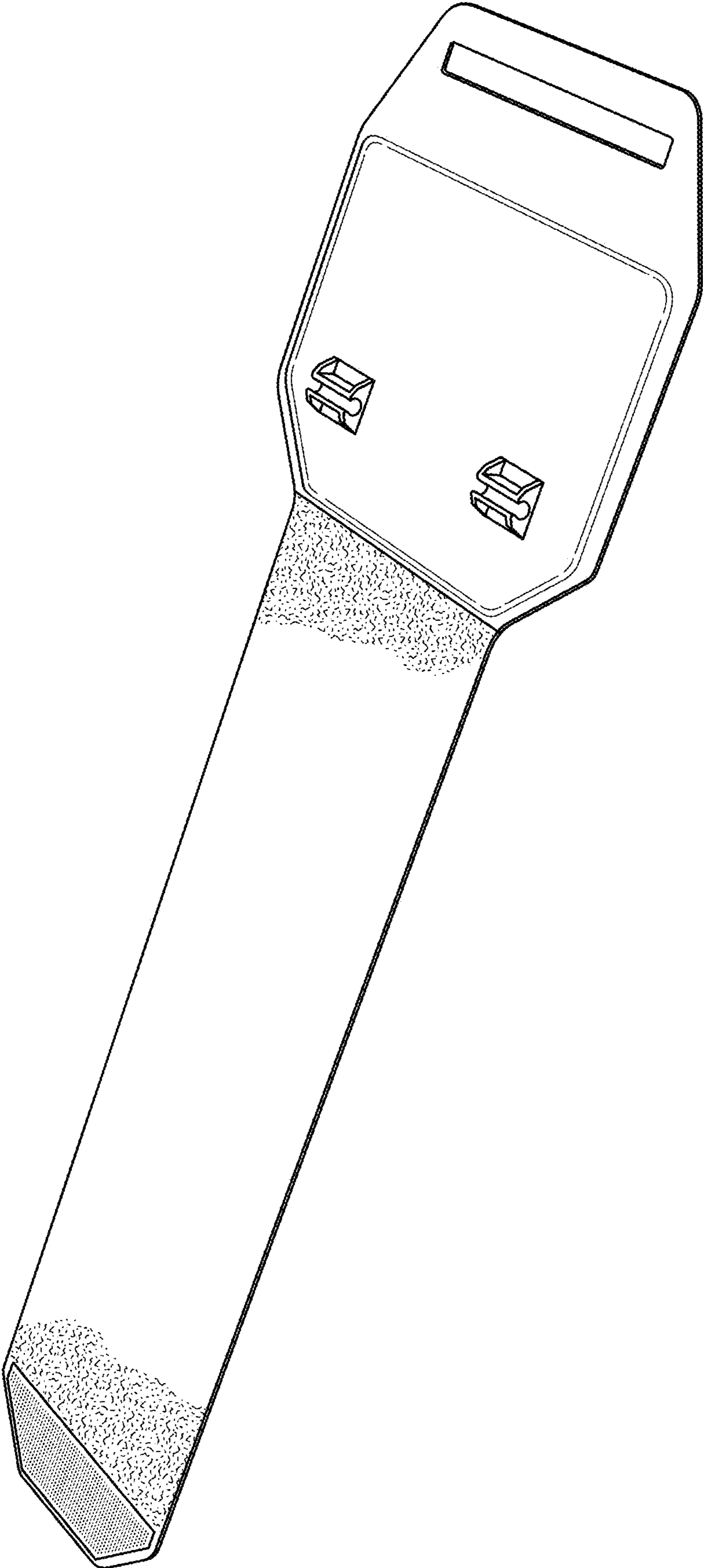


FIG. 1

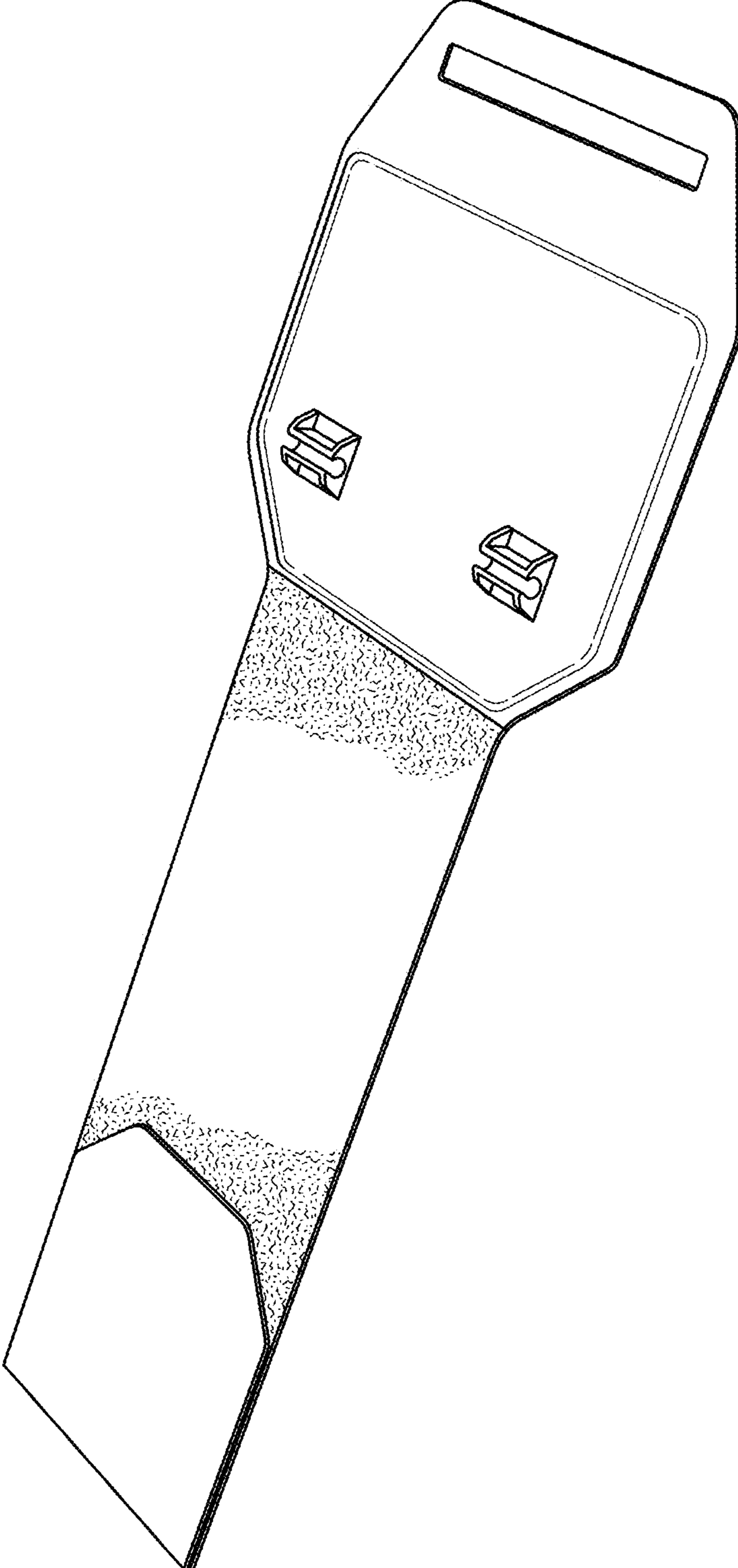


FIG. 2

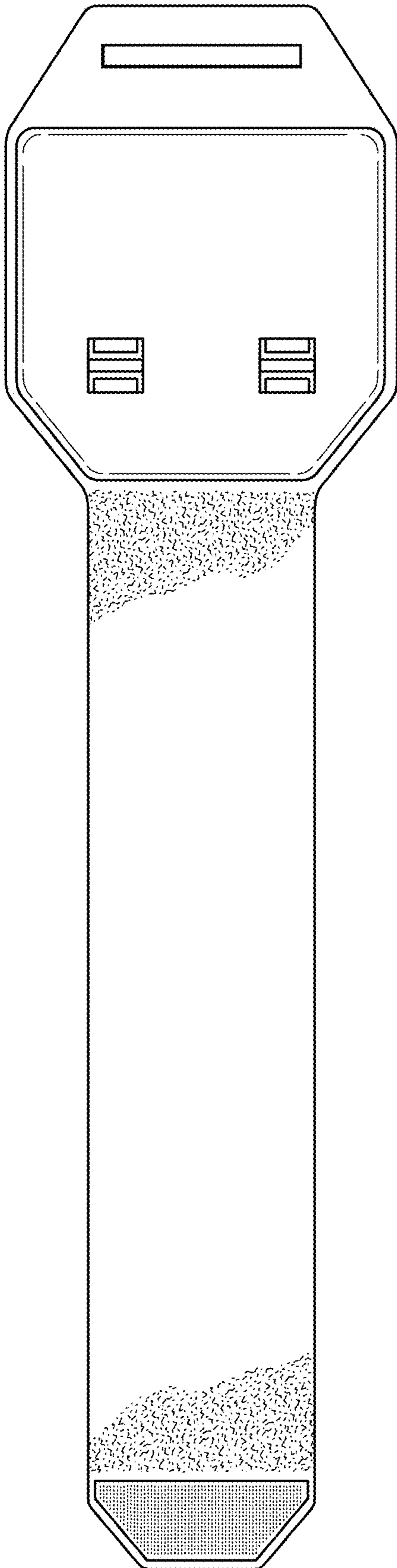


FIG. 3

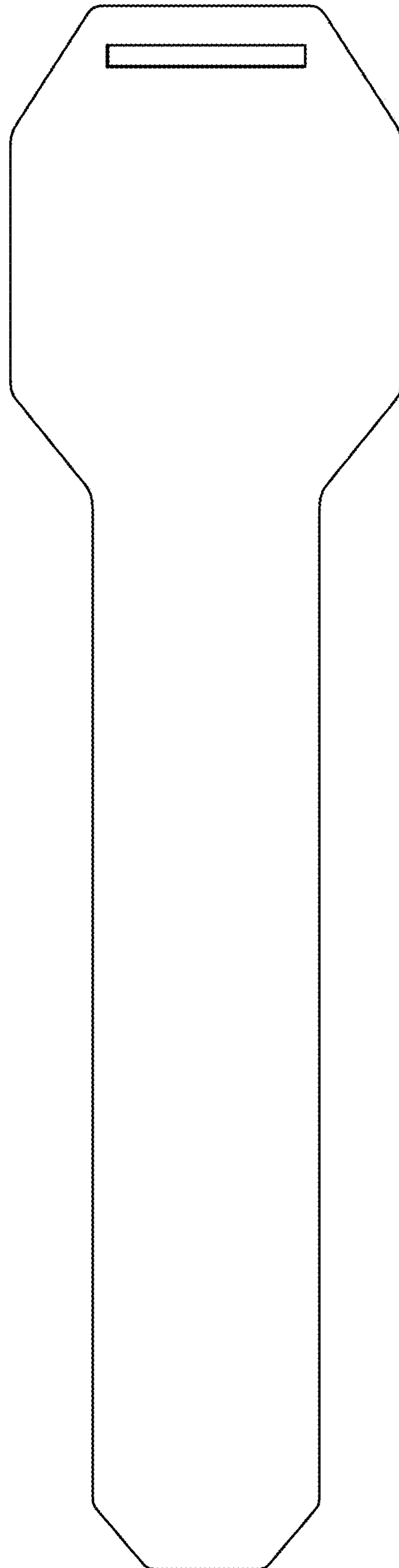


FIG. 4

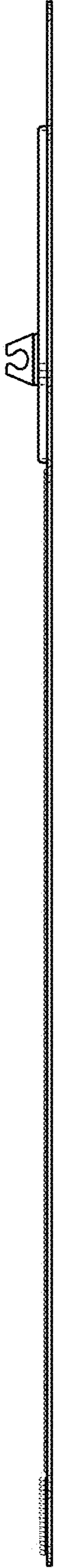


FIG. 5



FIG. 6

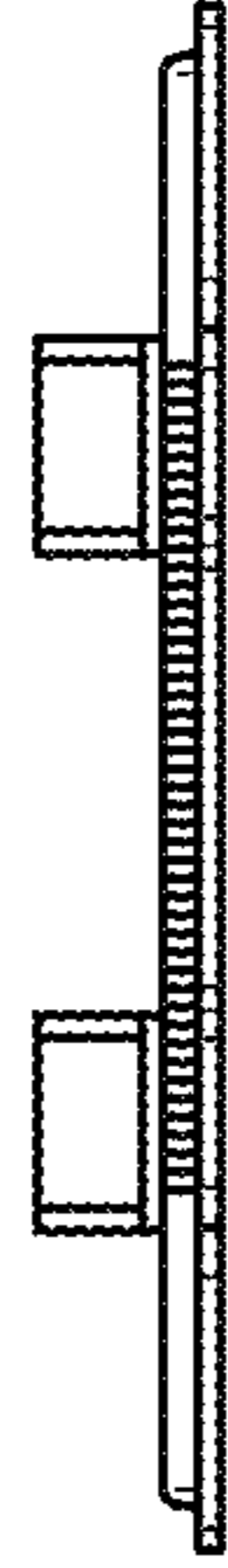


FIG. 7

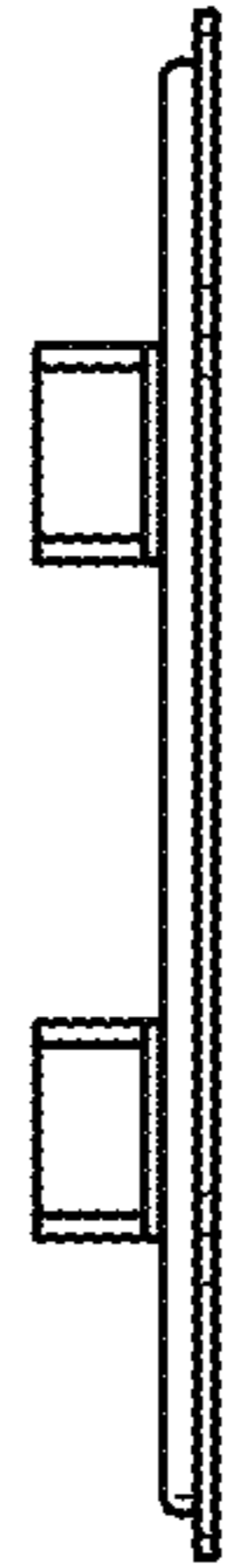


FIG. 8