



US00D954958S

(12) **United States Design Patent**
Lintula

(10) **Patent No.:** **US D954,958 S**
(45) **Date of Patent:** **** Jun. 14, 2022**

(54) **SURGICAL SUCTION FILTER**

(71) Applicant: **Sustain Medical, LLC**, Fishers, IN (US)

(72) Inventor: **Eric Lintula**, Wilmington, NC (US)

(73) Assignee: **SUSTAIN MEDICAL, LLC**, Fishers, IN (US)

(**) Term: **15 Years**

(21) Appl. No.: **29/665,730**

(22) Filed: **Oct. 5, 2018**

(51) **LOC (13) Cl.** **24-01**

(52) **U.S. Cl.**
USPC **D24/162**

(58) **Field of Classification Search**
USPC D24/127-131, 112-114, 133, 186, 162,
D24/110.6, 110.1, 110, 164, 165, 107,
(Continued)

(56) **References Cited**

U.S. PATENT DOCUMENTS

D176,597 S * 1/1956 Curry D24/110
3,529,727 A * 9/1970 Bernhard B01D 35/06
210/234

(Continued)

OTHER PUBLICATIONS

Youtube.com, Tru Flo OR Video, Sep. 14, 2020, <https://www.youtube.com/watch?v=4gKvWObT5m4&t=15s> (Year: 2020).*

Primary Examiner — Nathan M Johnston

(74) *Attorney, Agent, or Firm* — Maginot Moore Beck LLP

(57) **CLAIM**

What is claimed is the ornamental design for a surgical suction filter, as shown and described.

DESCRIPTION

FIG. 1 is an exploded perspective view of a design for a surgical suction filter.

FIG. 2 is a perspective view of the design shown in FIG. 1.
FIG. 3 is a side view of the design shown in FIG. 1.

FIG. 4 is a perspective view of a filter body of the design shown in FIG. 1, shown separately for ease of illustration.

FIG. 5 is a side view of the filter body shown in FIG. 4.

FIG. 6 is an opposite side view of the filter body shown in FIG. 5.

FIG. 7 is a top end view of the filter body shown in FIG. 4.
FIG. 8 is a bottom end view of the filter body shown in FIG. 4.

FIG. 9 is a perspective view of a filter element of the design shown in FIG. 1, shown separately for ease of illustration.

FIG. 10 is a side view of the filter element shown in FIG. 9.

FIG. 11 is a top view of the filter element shown in FIG. 9.

FIG. 12 is a bottom view of the filter element shown in FIG. 9.

FIG. 13 is a perspective view of a cap of the design shown in FIG. 1, shown separately for ease of illustration.

FIG. 14 is a side view of the cap shown in FIG. 13.

FIG. 15 is a bottom view of the cap shown in FIG. 13.

FIG. 16 is a top view of the cap shown in FIG. 13.

FIG. 17 is a perspective view of a ring of the design shown in FIG. 1, shown separately for ease of illustration.

FIG. 18 is a top view of the ring shown in FIG. 17.

FIG. 19 is a side view of the ring shown in FIG. 17.

FIG. 20 is an opposite side view of the ring shown in FIG. 17.

FIG. 21 is an end view of the ring shown in FIG. 17.

FIG. 22 is an opposite end view of the ring shown in FIG. 17.

FIG. 23 is a perspective view of a clip of the design shown in FIG. 1, shown separately for use of illustration.

FIG. 24 is a top view of the clip shown in FIG. 23.

FIG. 25 is a side view of the clip shown in FIG. 23.

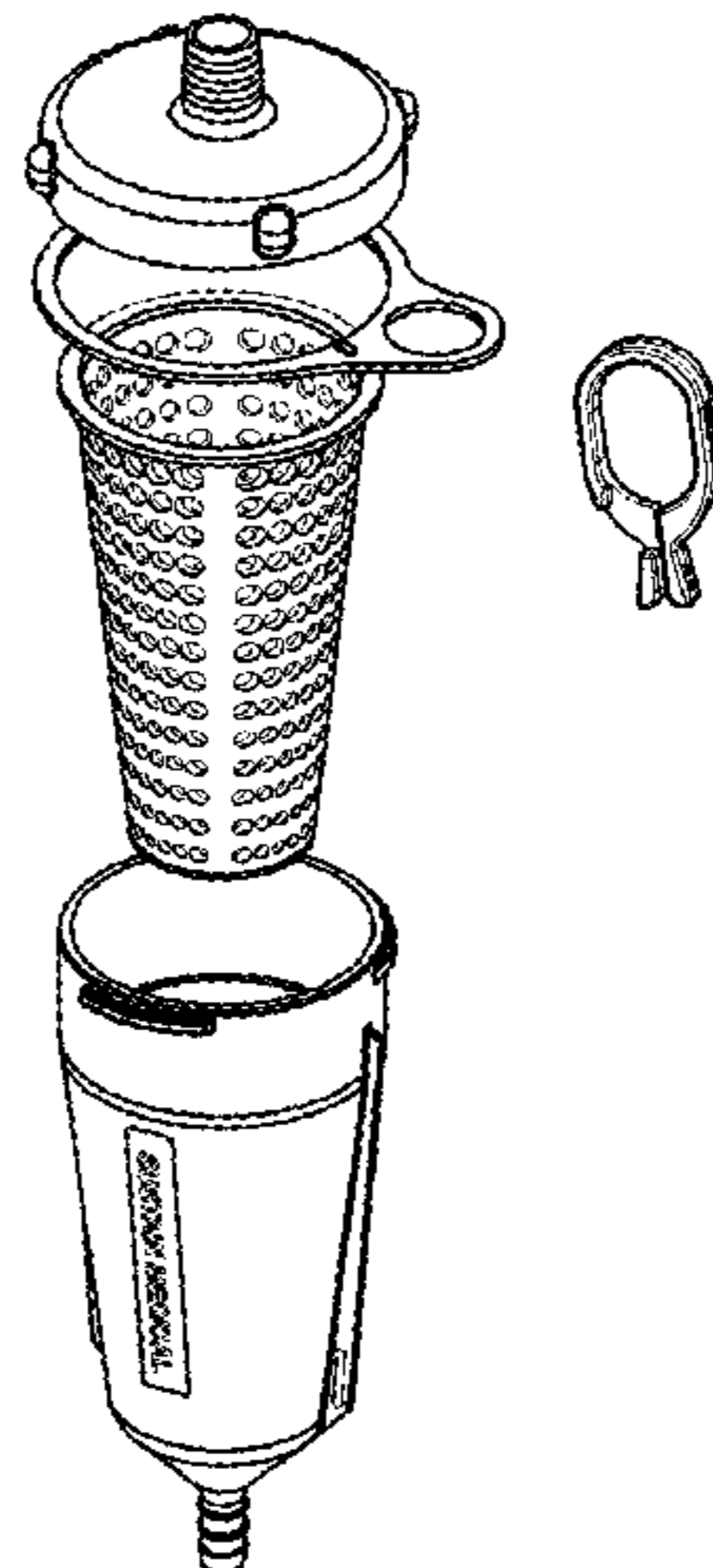
FIG. 26 is bottom view of the clip shown in FIG. 23.

FIG. 27 is an opposite side view of the clip shown in FIG. 23.

FIG. 28 is an end view of the clip shown in FIG. 23; and,
FIG. 29 is an opposite end view of the clip shown in FIG. 23.

The broken lines show portions of the surgical suction filter that form no part of the claimed design.

1 Claim, 6 Drawing Sheets



(58) **Field of Classification Search**

USPC D24/108, 110.4, 110.5; D23/366, 365;
 606/181, 185; 604/264, 523–528, 272,
 604/187, 158, 164.01–164.11, 181, 184,
 604/227; 600/101, 139, 143;
 128/200.24, 207.14, 207.15
 CPC ... A61M 1/0056; A61M 1/00; B01D 46/2403;
 B01D 46/0005; B01D 46/0004; B01D
 2279/00; B01D 2265/029; B01D
 2275/201; B01D 2275/30; B01D 46/00;
 B01D 46/24

See application file for complete search history.

(56) **References Cited**

U.S. PATENT DOCUMENTS

D238,456	S *	1/1976	Mouwen	D24/162
D238,576	S *	1/1976	Vidal	D23/209
4,957,492	A	9/1990	McVay	
5,766,134	A *	6/1998	Lisak	A61B 10/025
				600/562
D453,830	S *	2/2002	McDowell	D24/108
6,666,638	B2	12/2003	Craven	
D605,282	S *	12/2009	Nichetti	D24/108
8,025,173	B2 *	9/2011	Michaels	A61M 1/0001
				220/495.06
8,075,604	B2	12/2011	Denis et al.	
8,484,986	B2	7/2013	Lampropoulos et al.	
D712,766	S *	9/2014	Matusik	D10/96
D827,807	S *	9/2018	Ng	D24/110
D835,778	S *	12/2018	Mozzicato	D24/121
2011/0082338	A1	4/2011	Fischvogt et al.	
2018/0161531	A1 *	6/2018	Costella	A61M 15/0091
2020/0108185	A1 *	4/2020	Lintula	A61M 1/0056

* cited by examiner

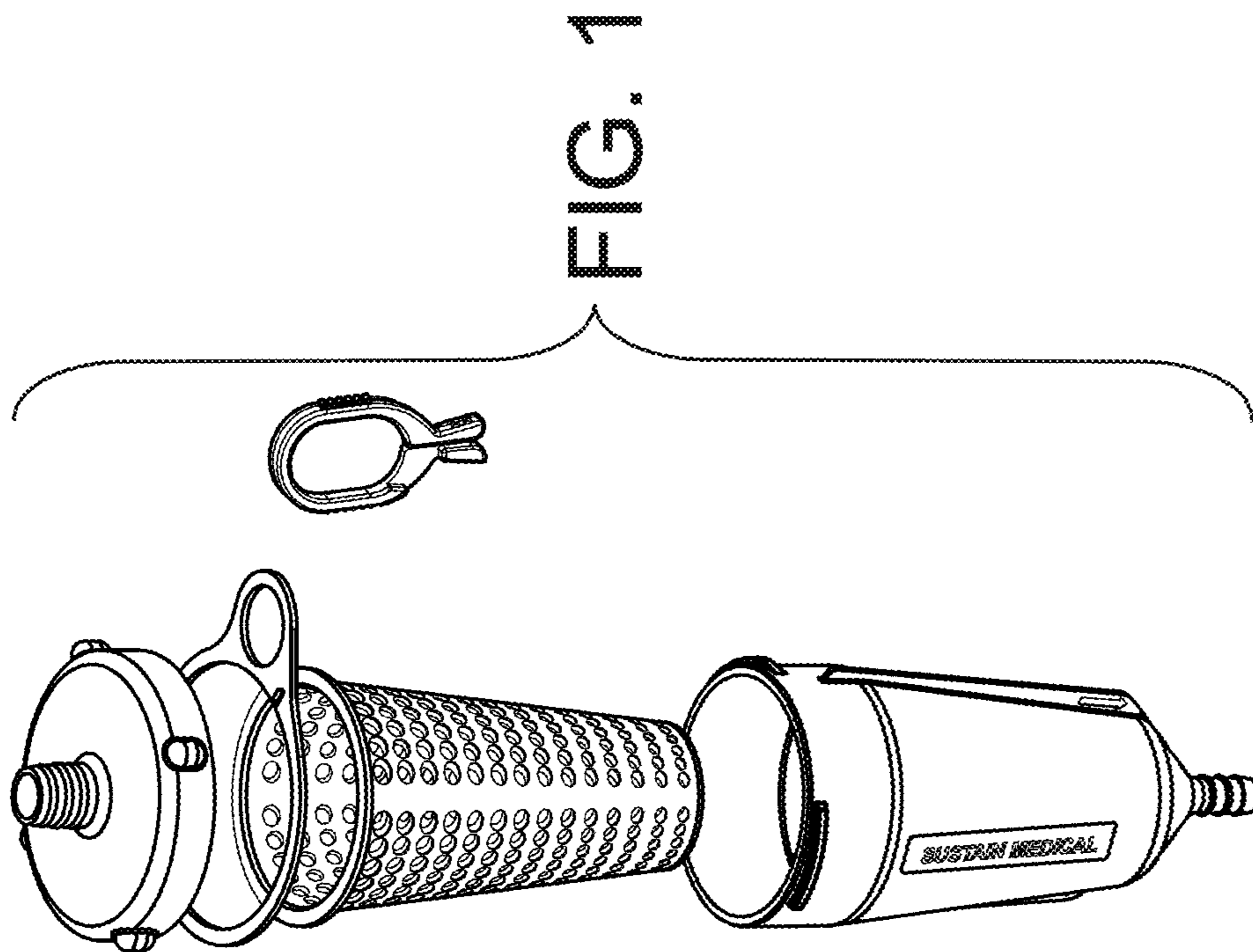


FIG. 1

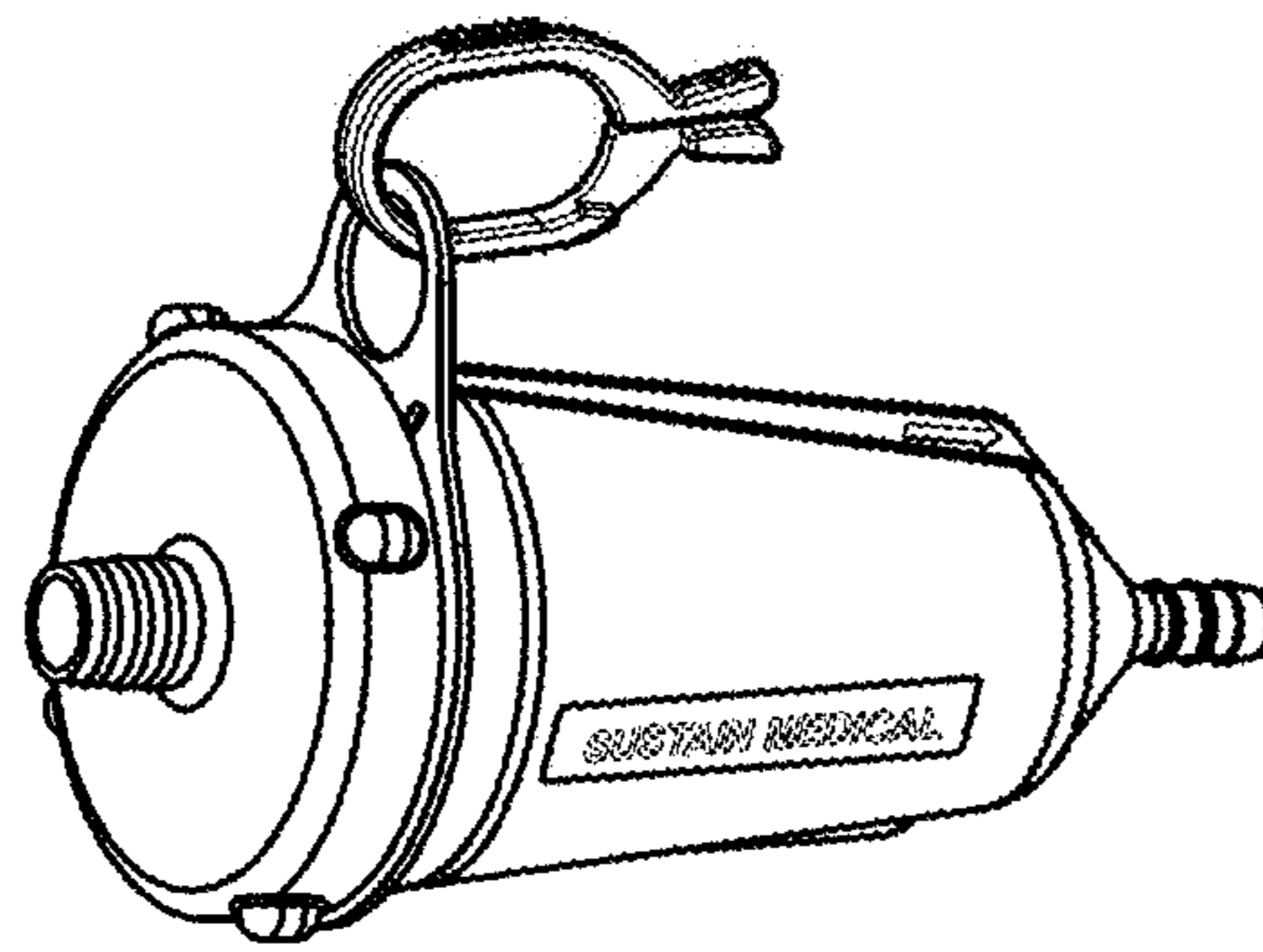


FIG. 2

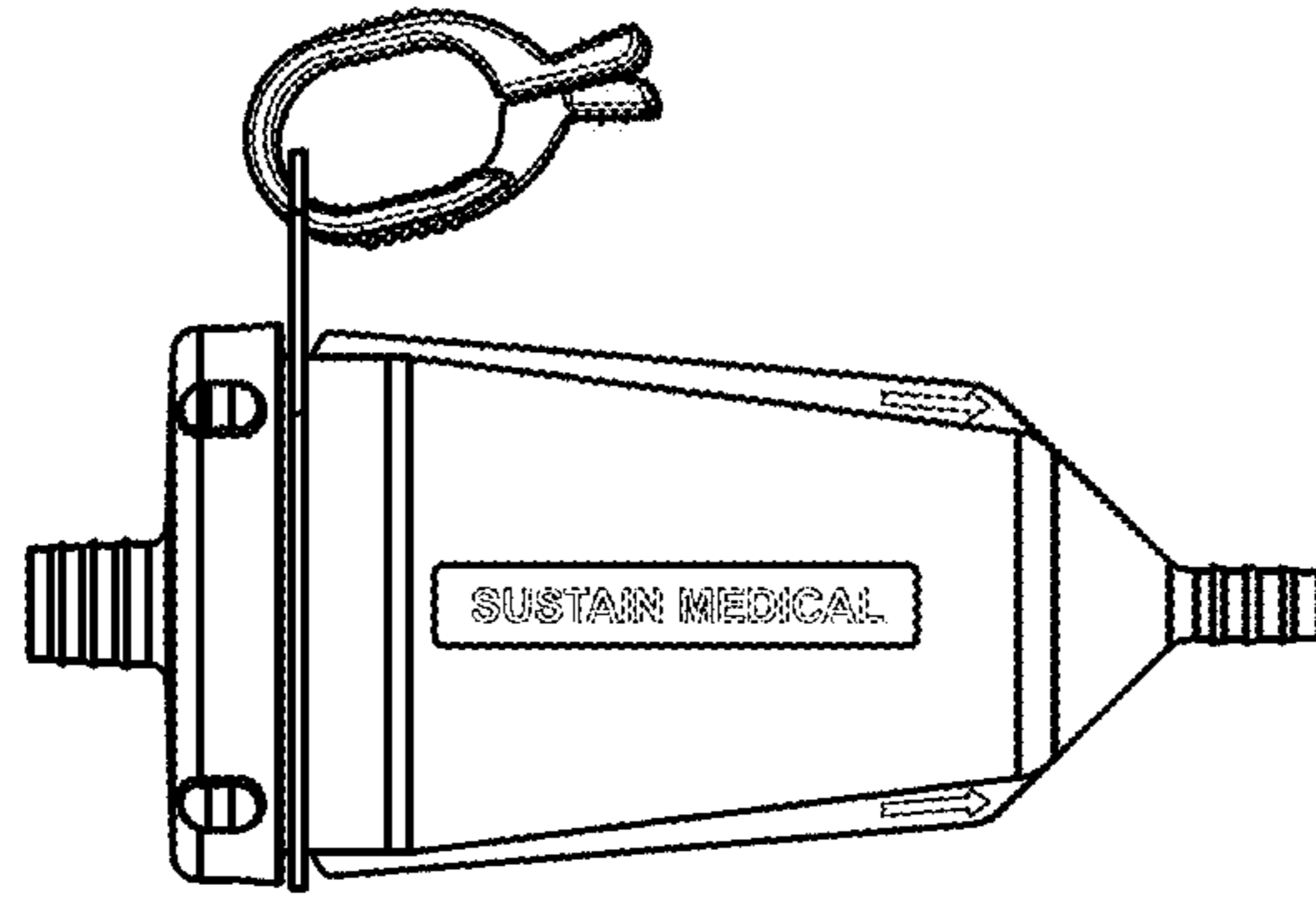


FIG. 3

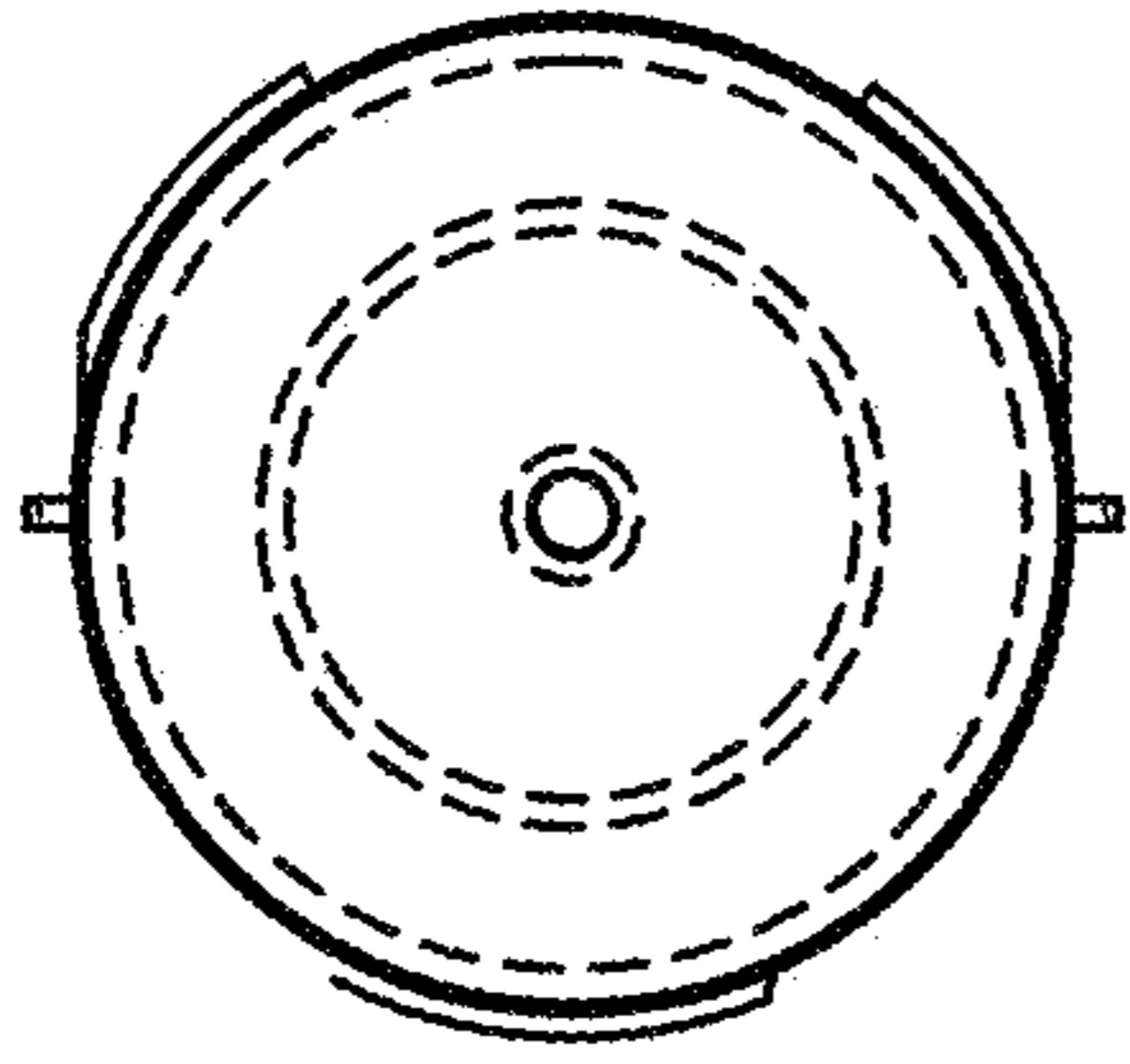


FIG. 7

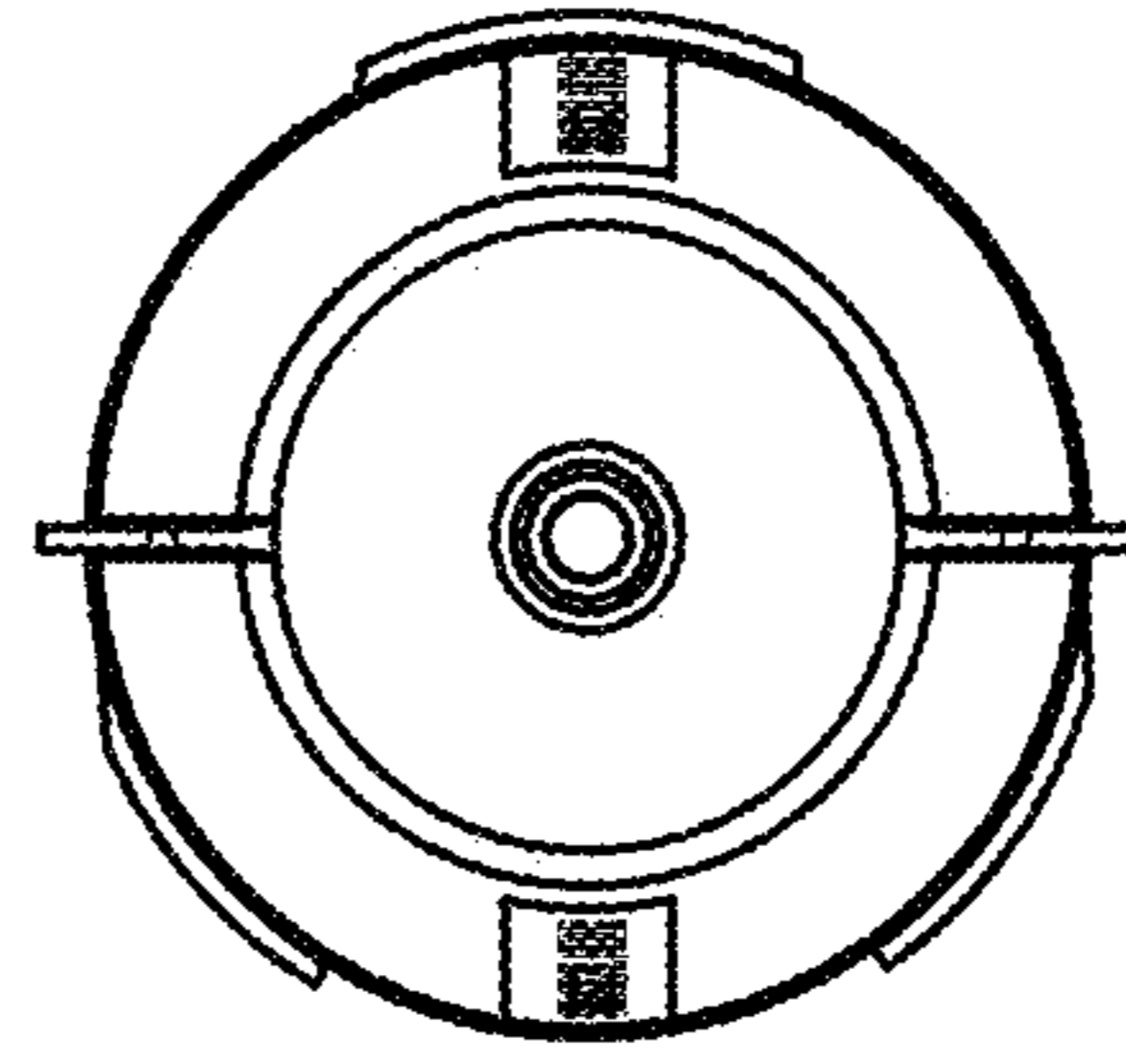


FIG. 8

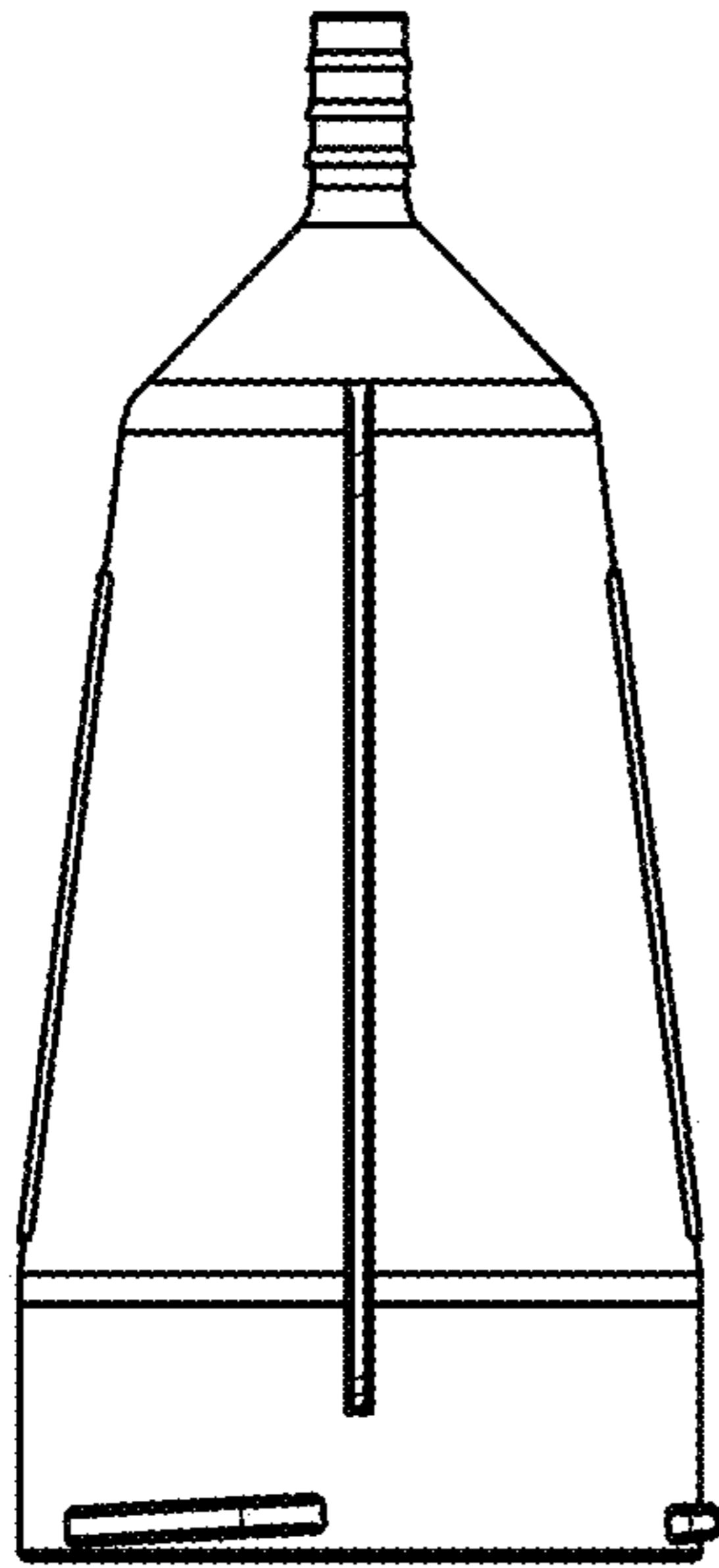


FIG. 5

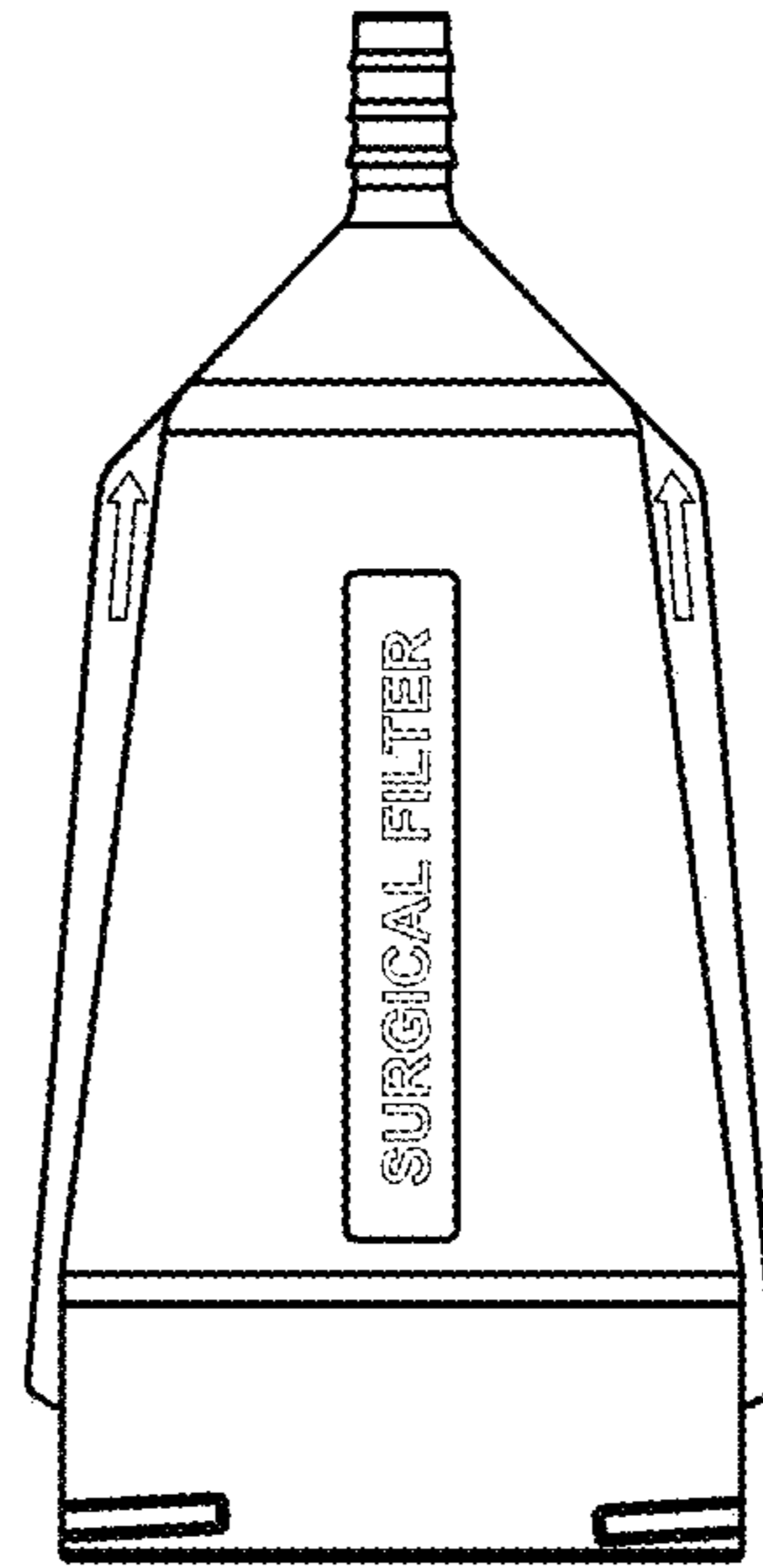


FIG. 6

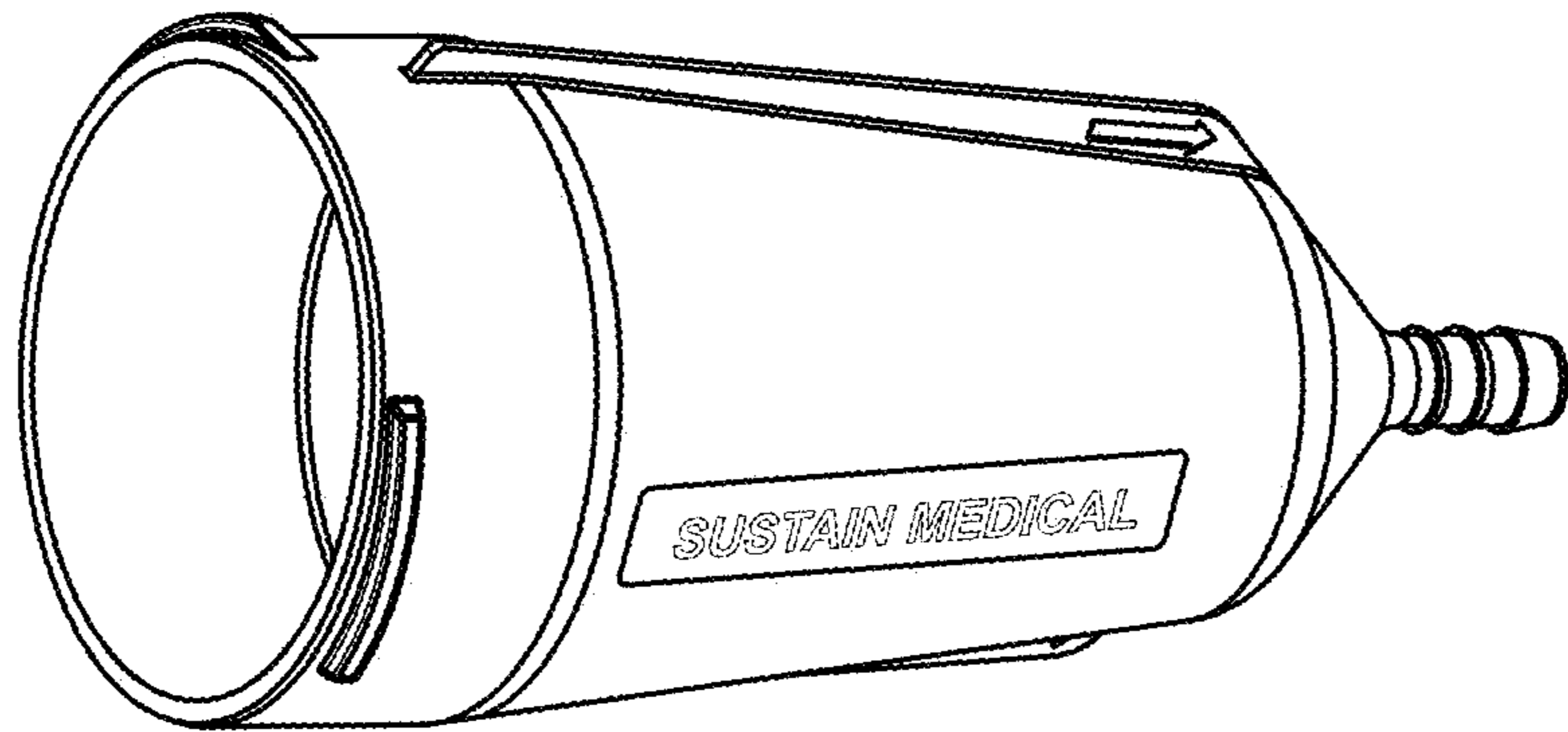


FIG. 4

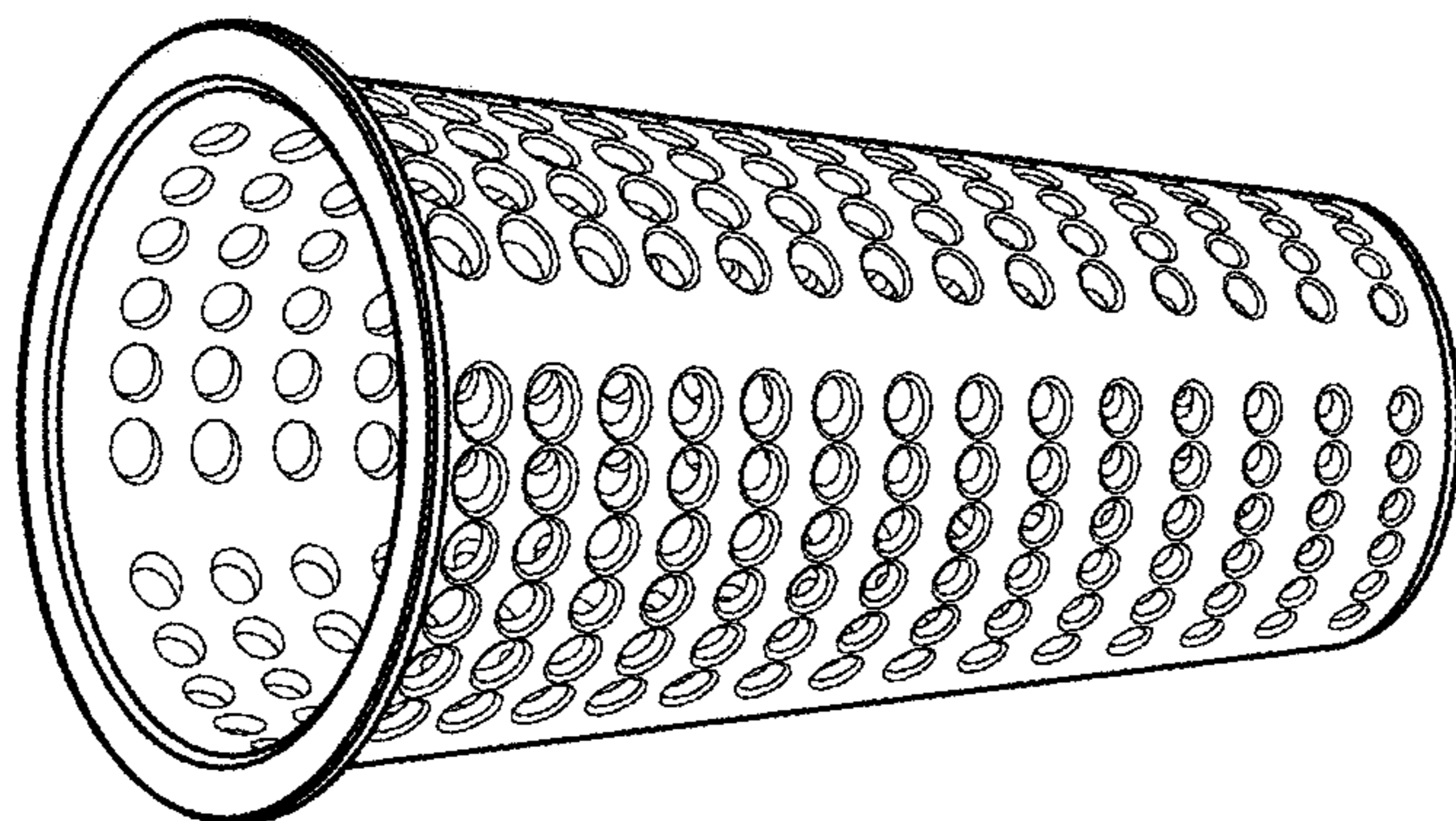


FIG. 9

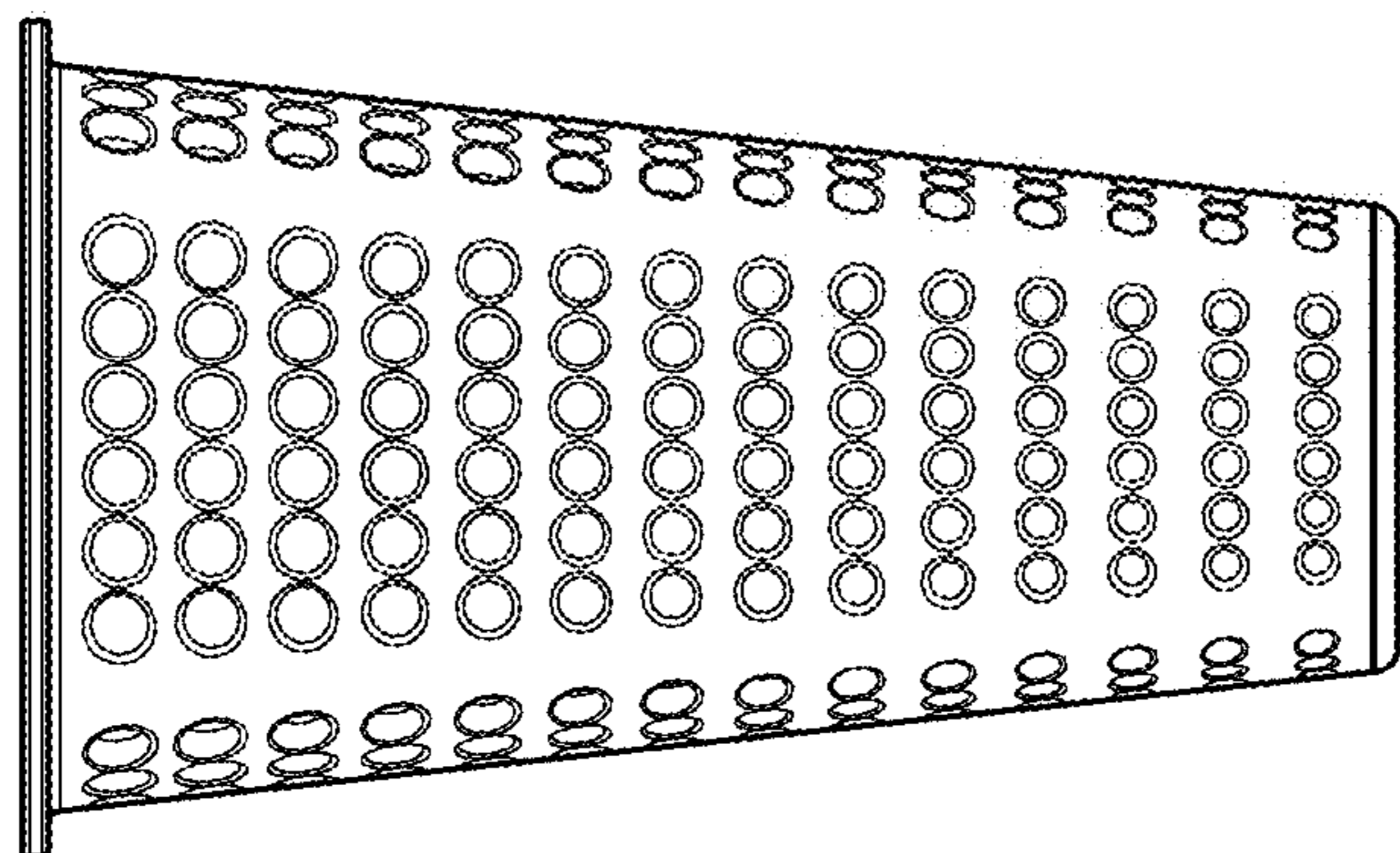


FIG. 10

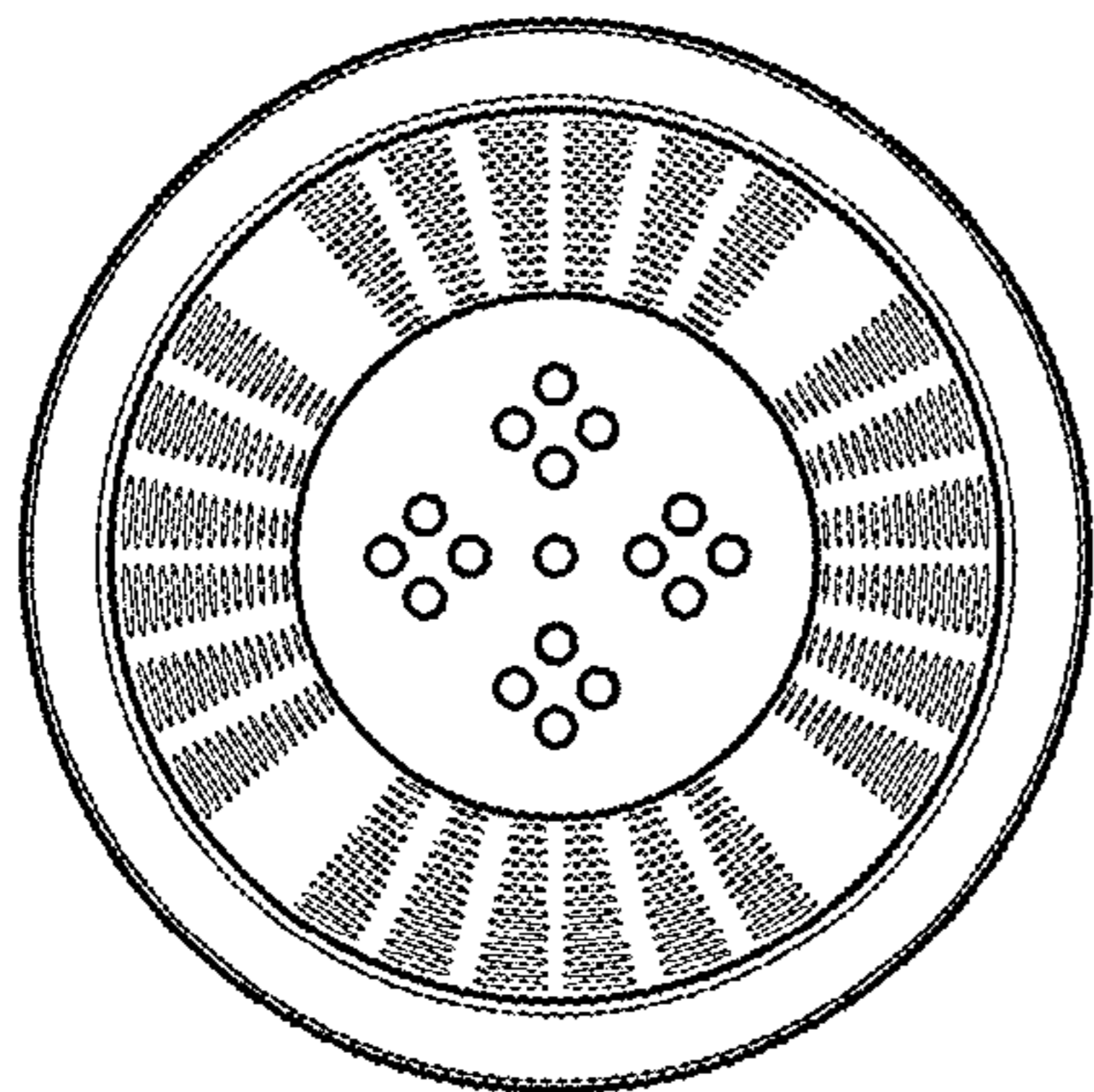


FIG. 11

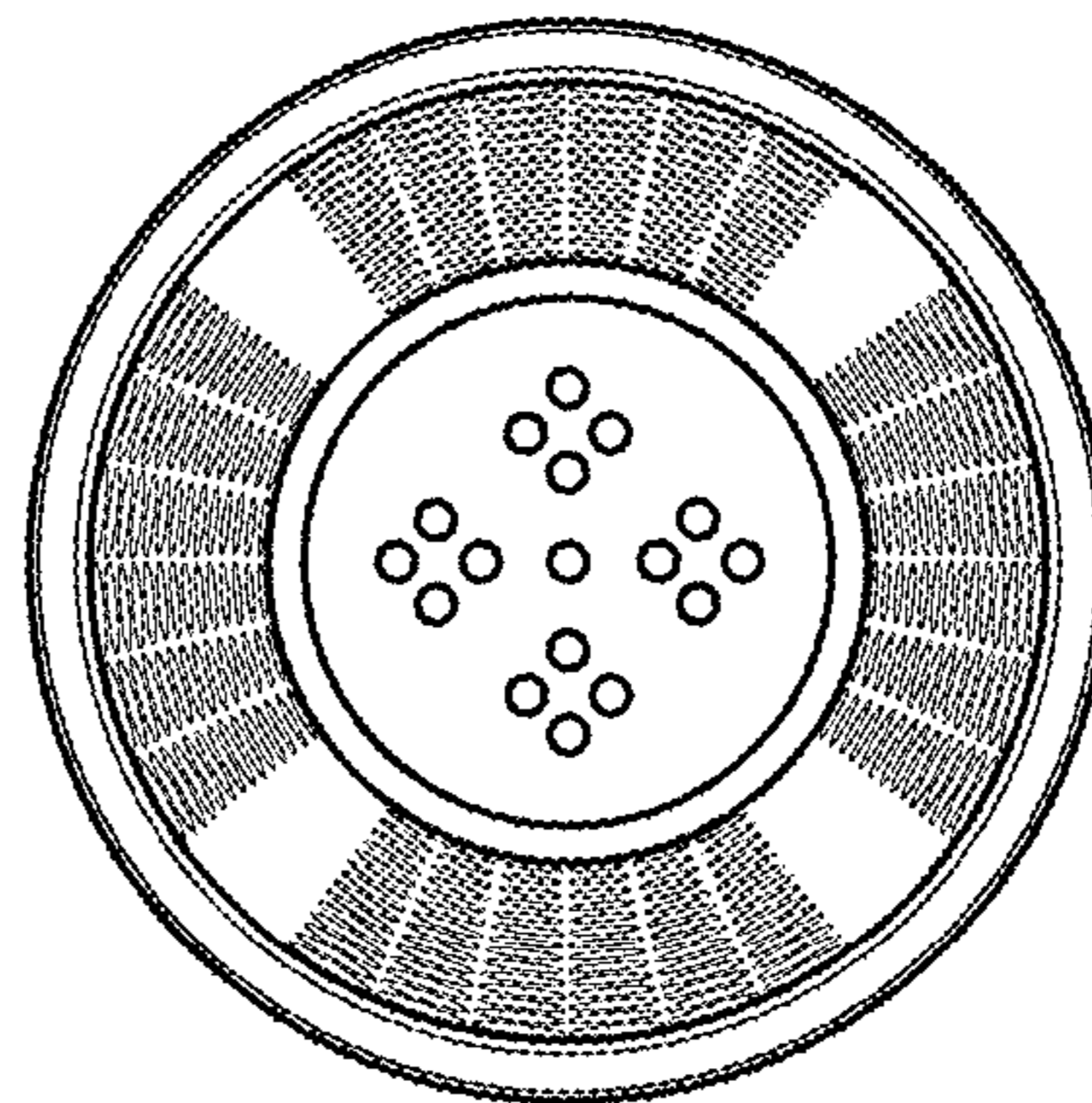


FIG. 12

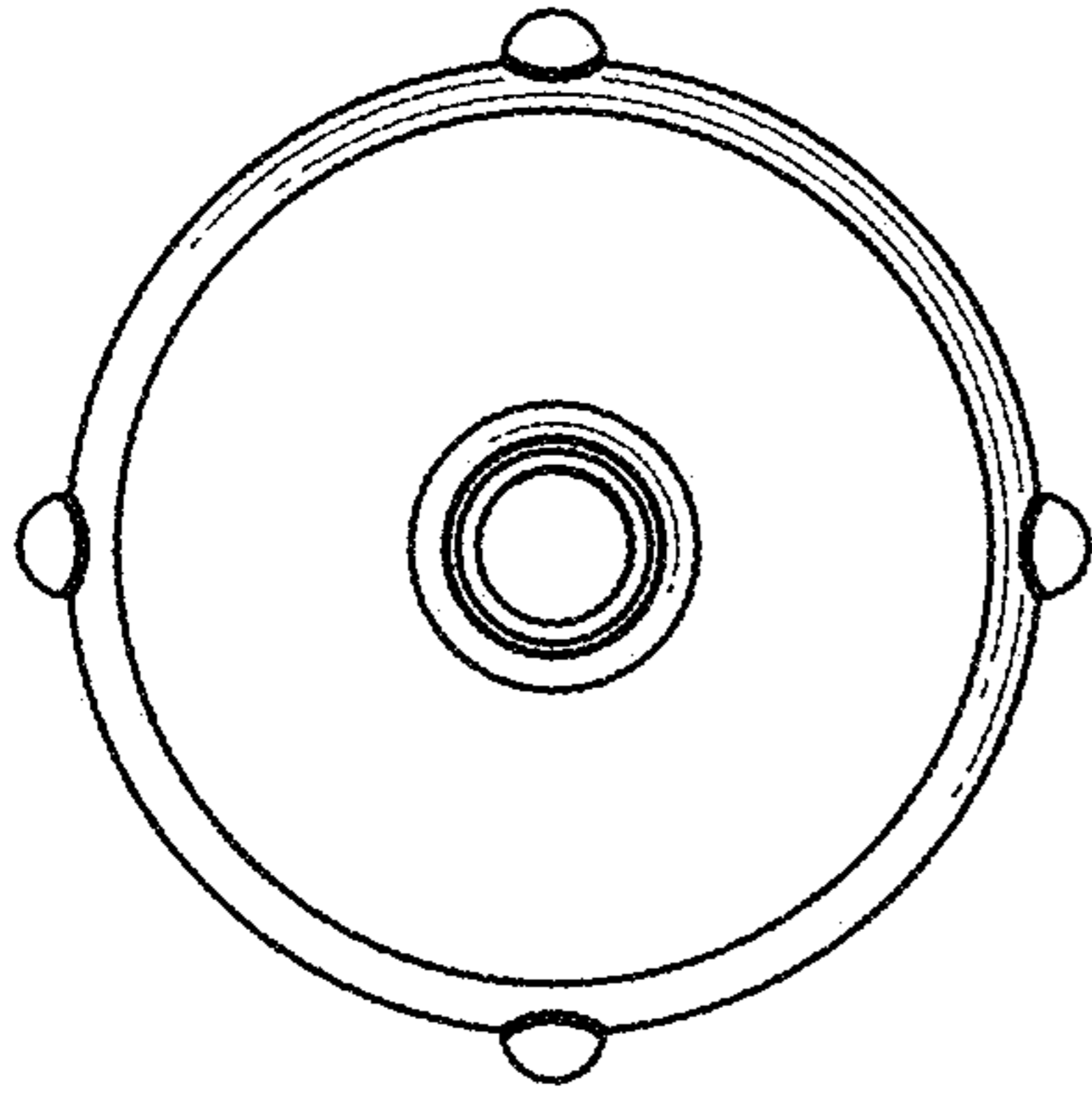


FIG. 15

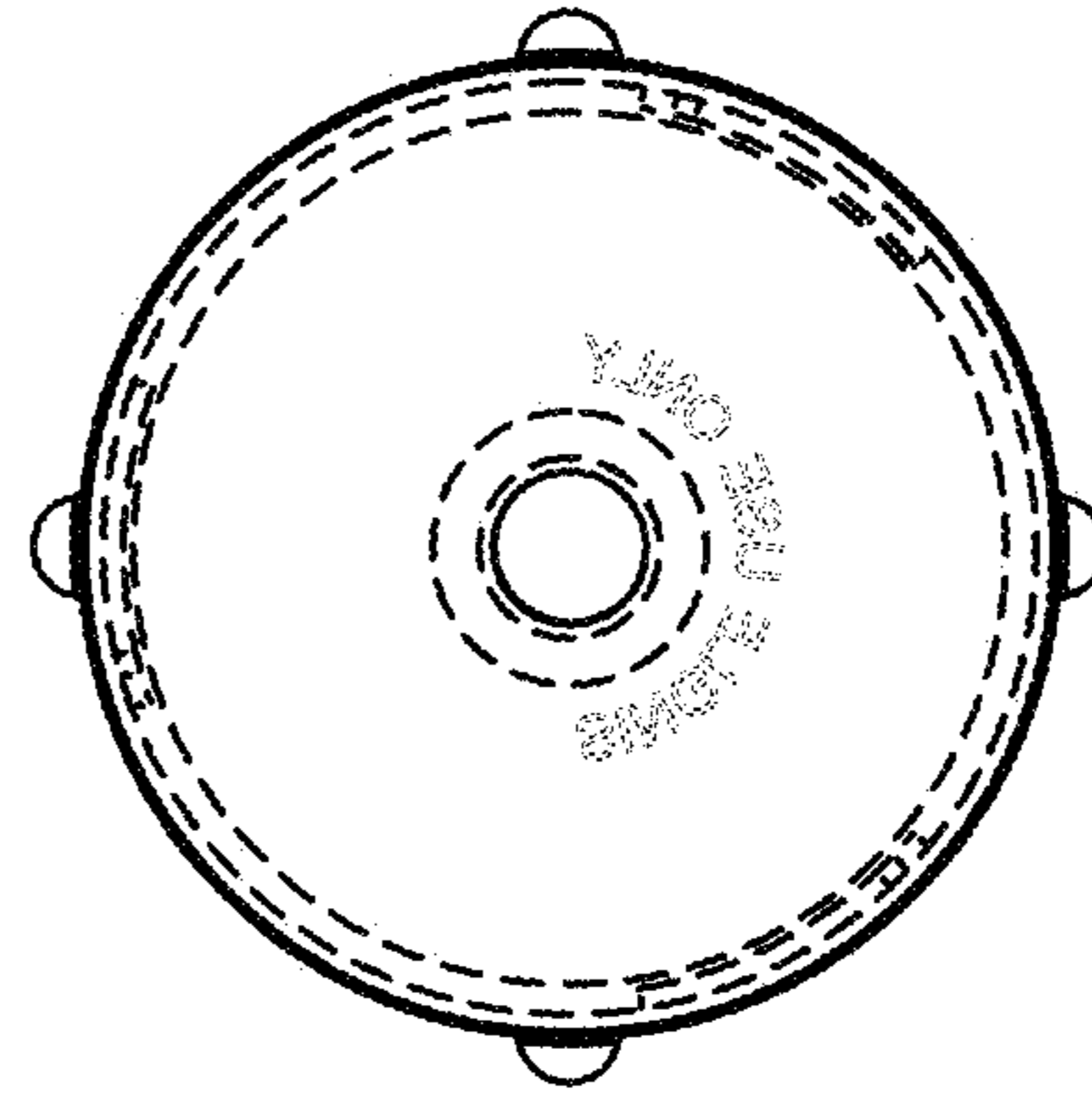


FIG. 16

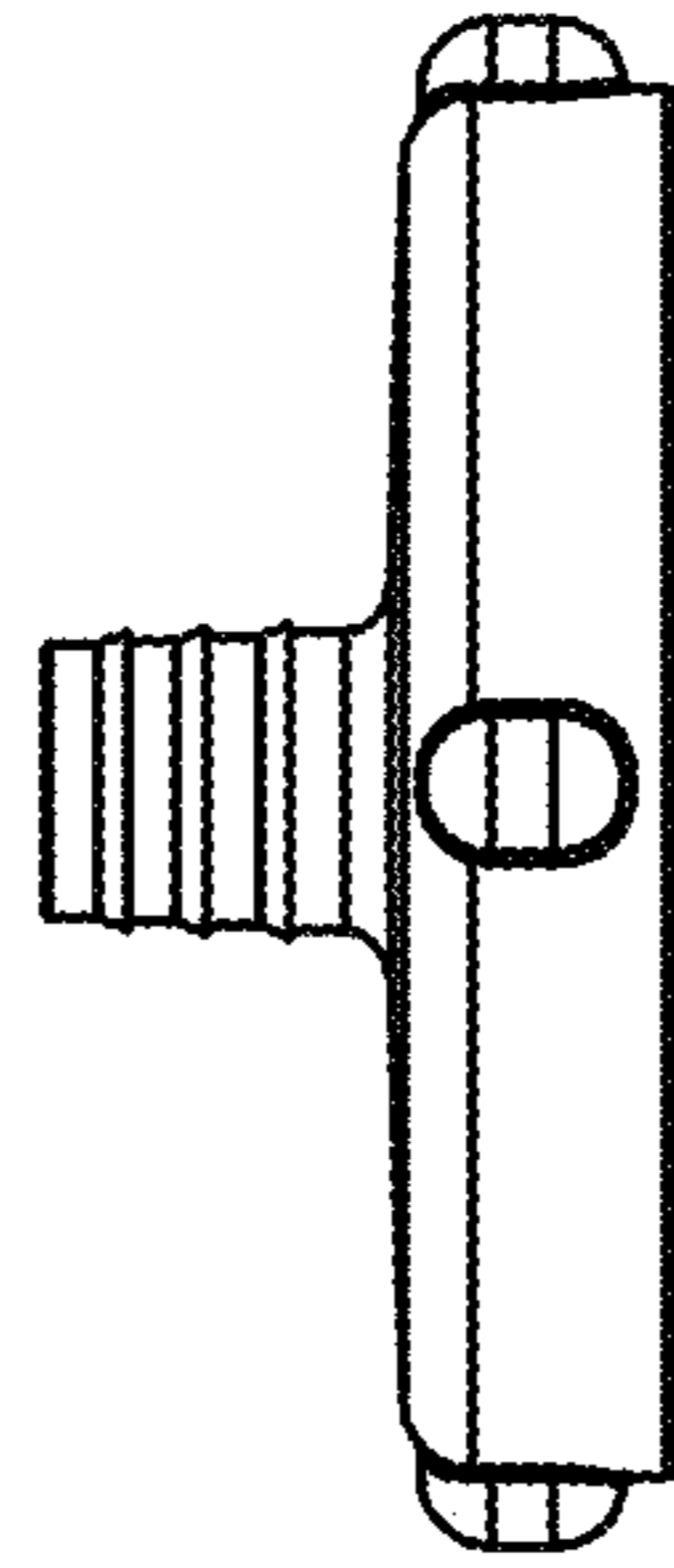


FIG. 14

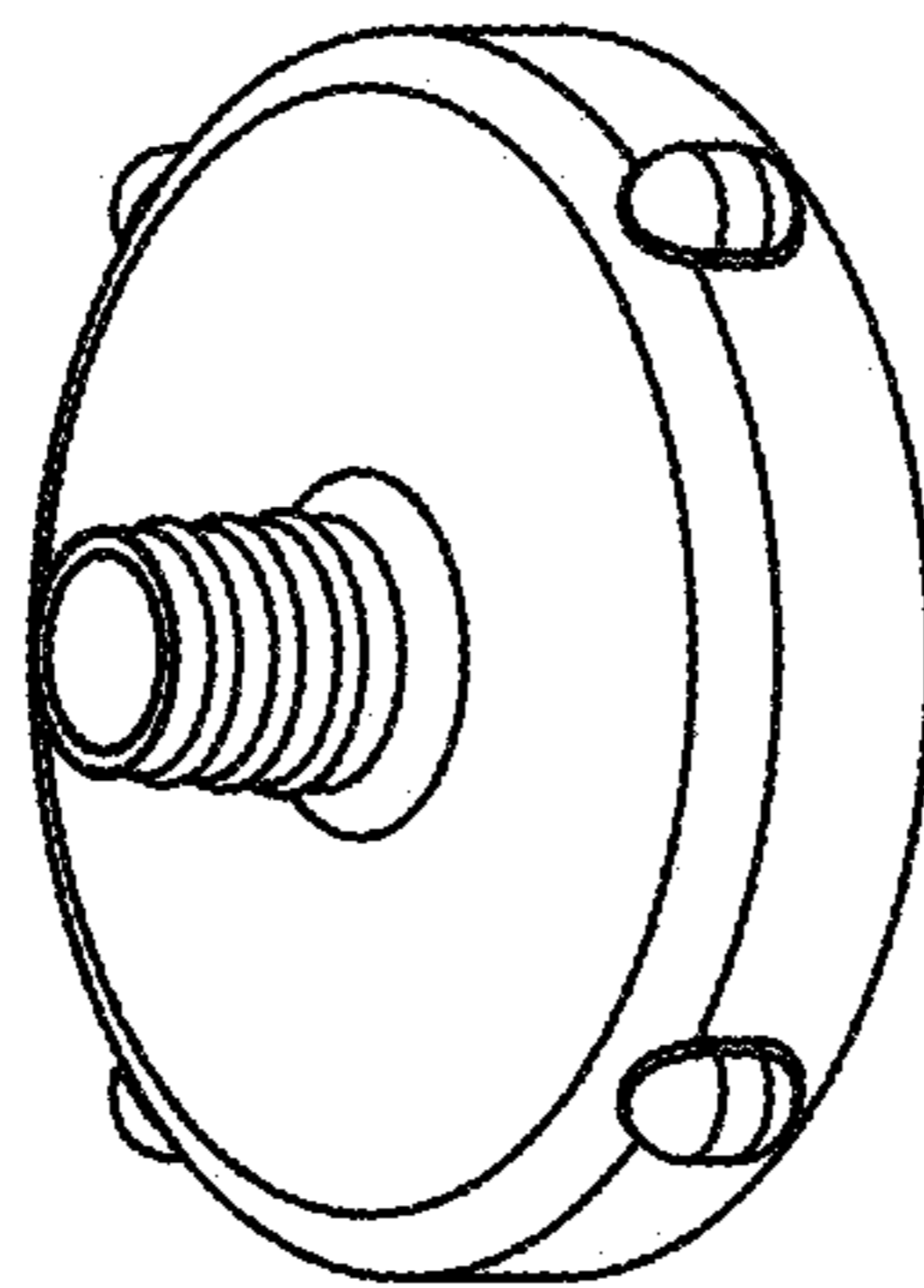


FIG. 13



FIG. 19

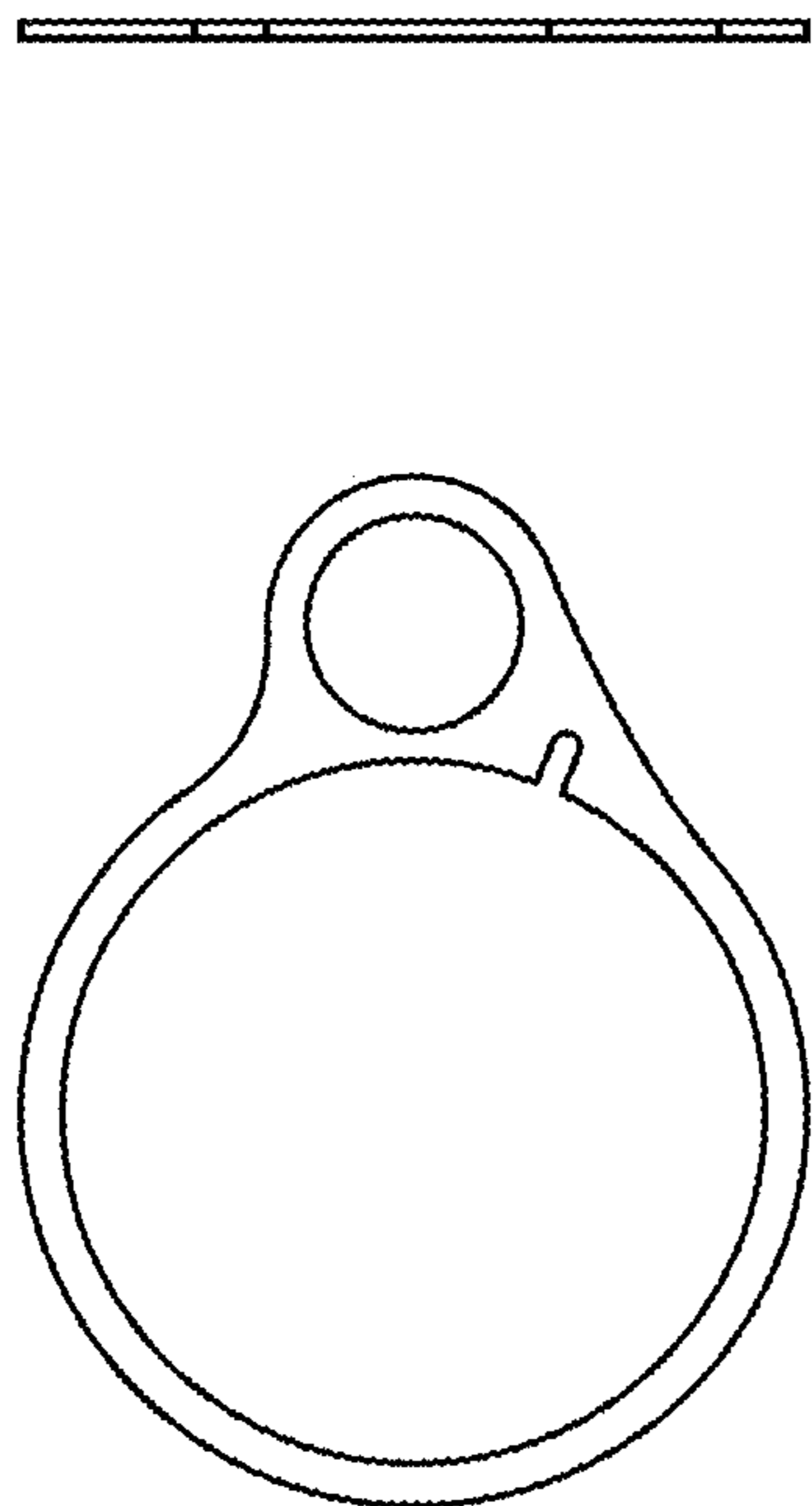


FIG. 17 FIG. 21 FIG. 18 FIG. 22



FIG. 20

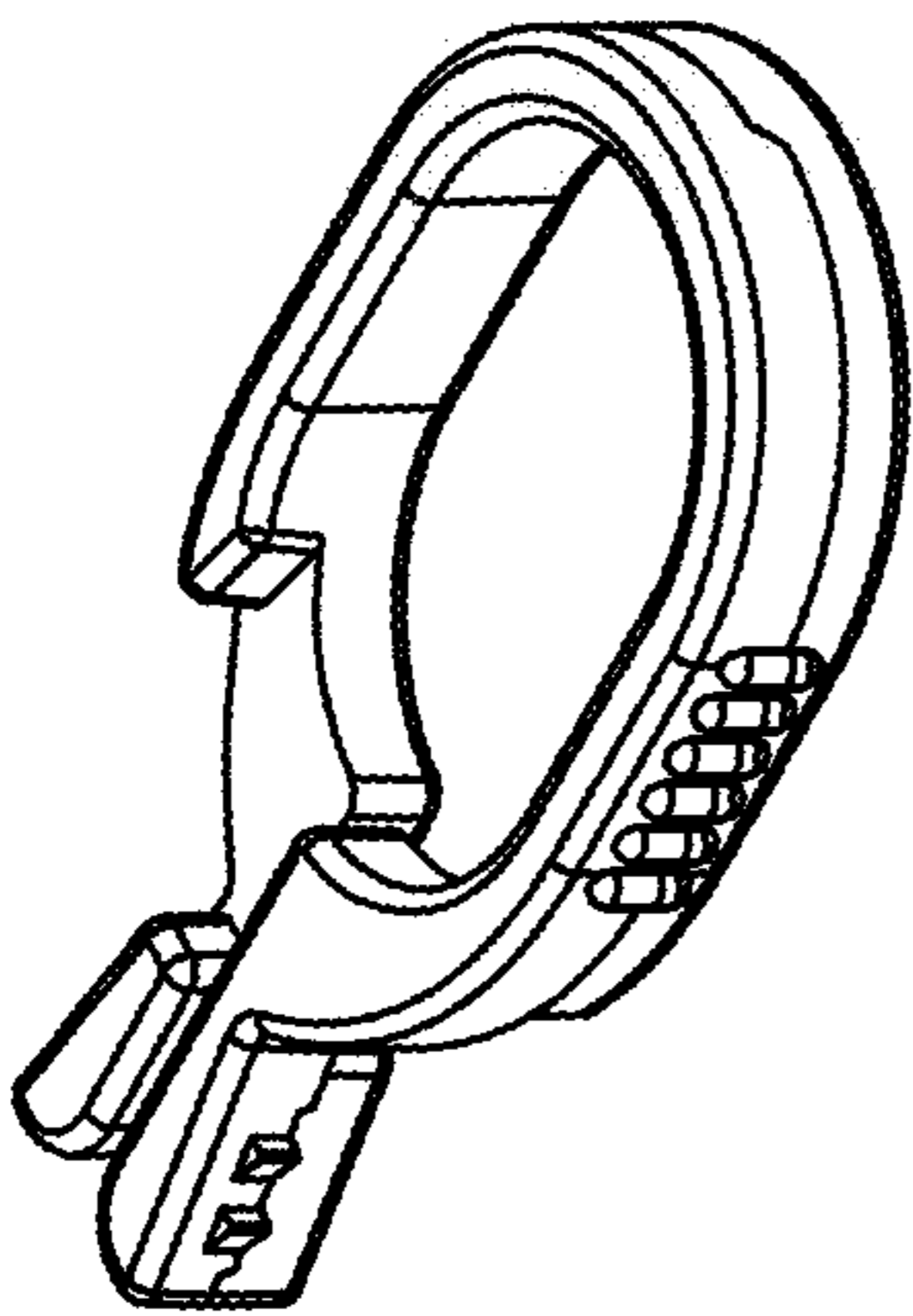


FIG. 23

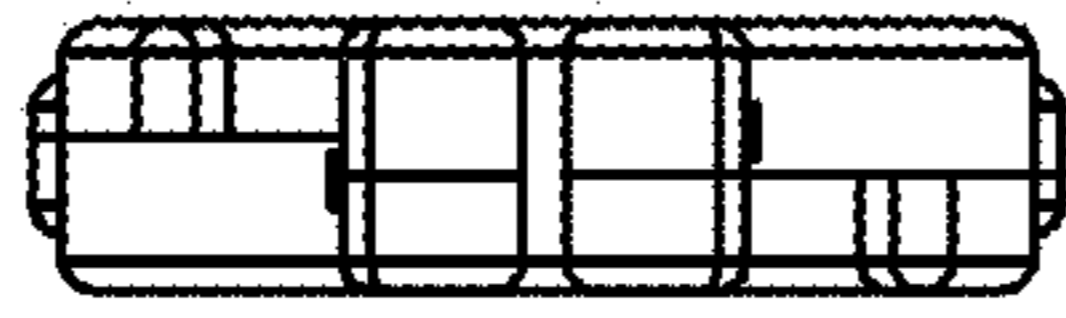


FIG. 28

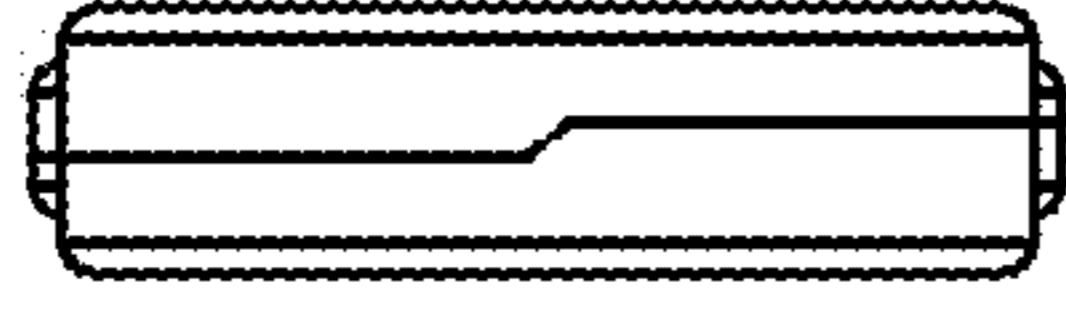


FIG. 29

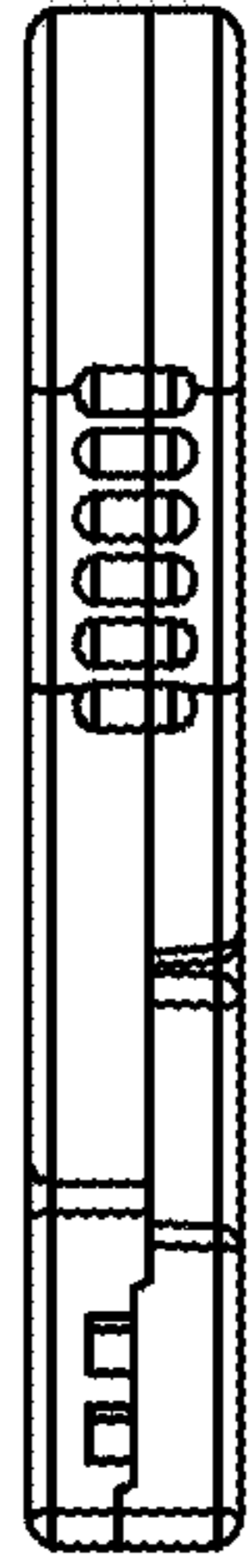


FIG. 27

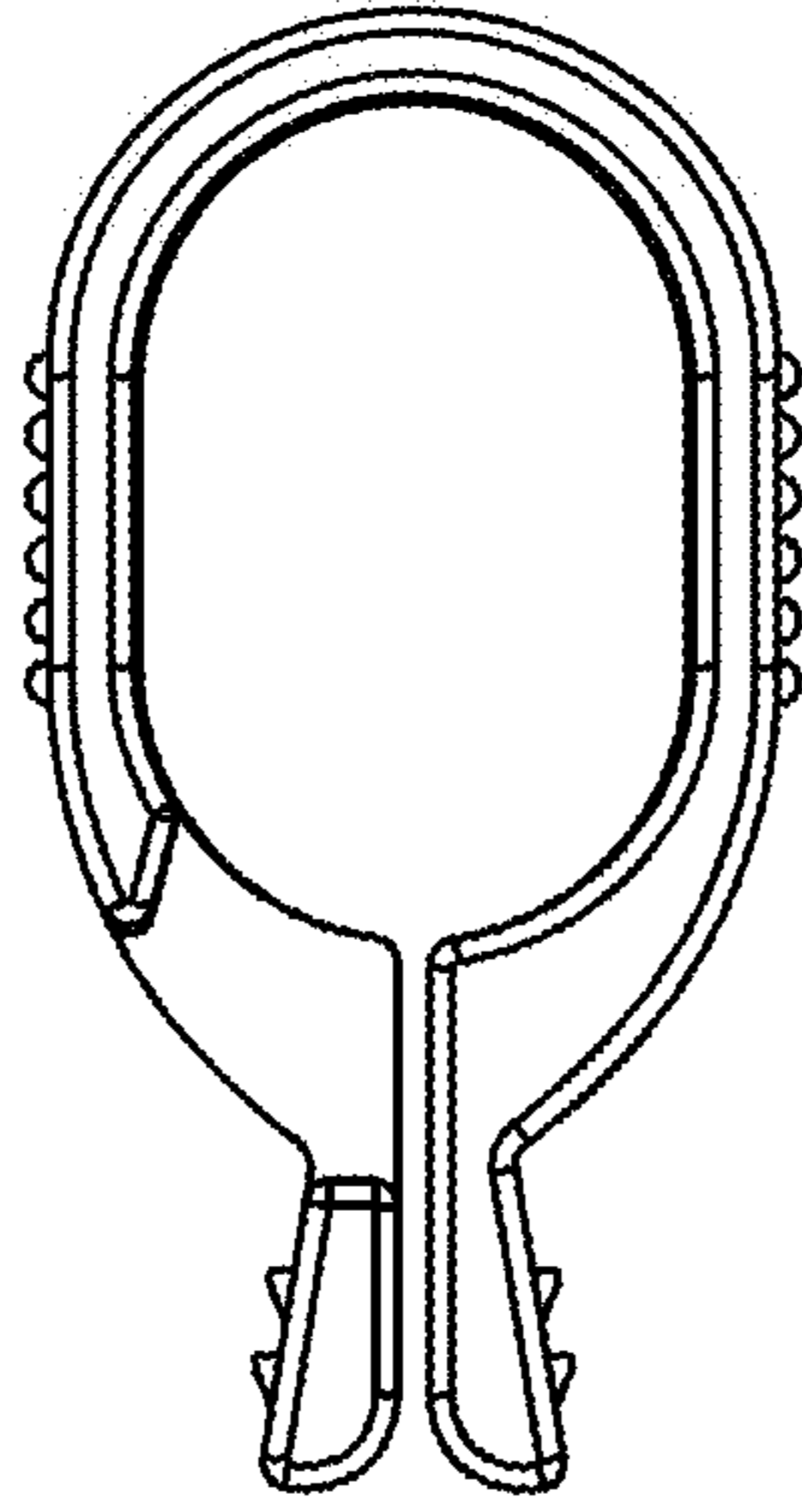


FIG. 26

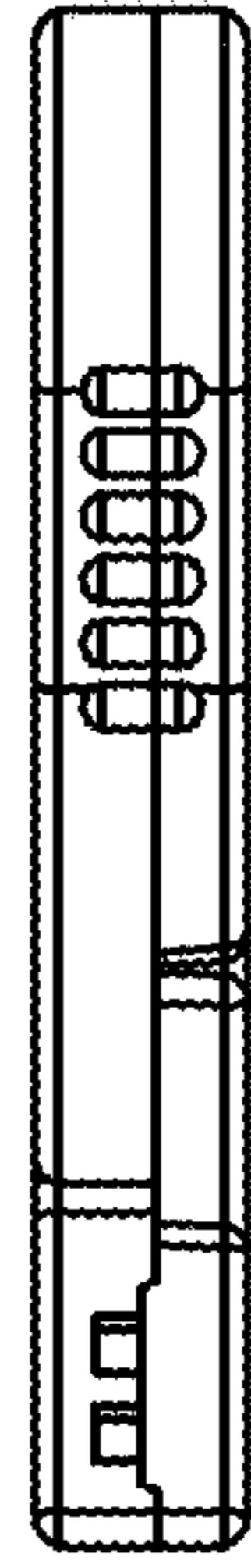


FIG. 25

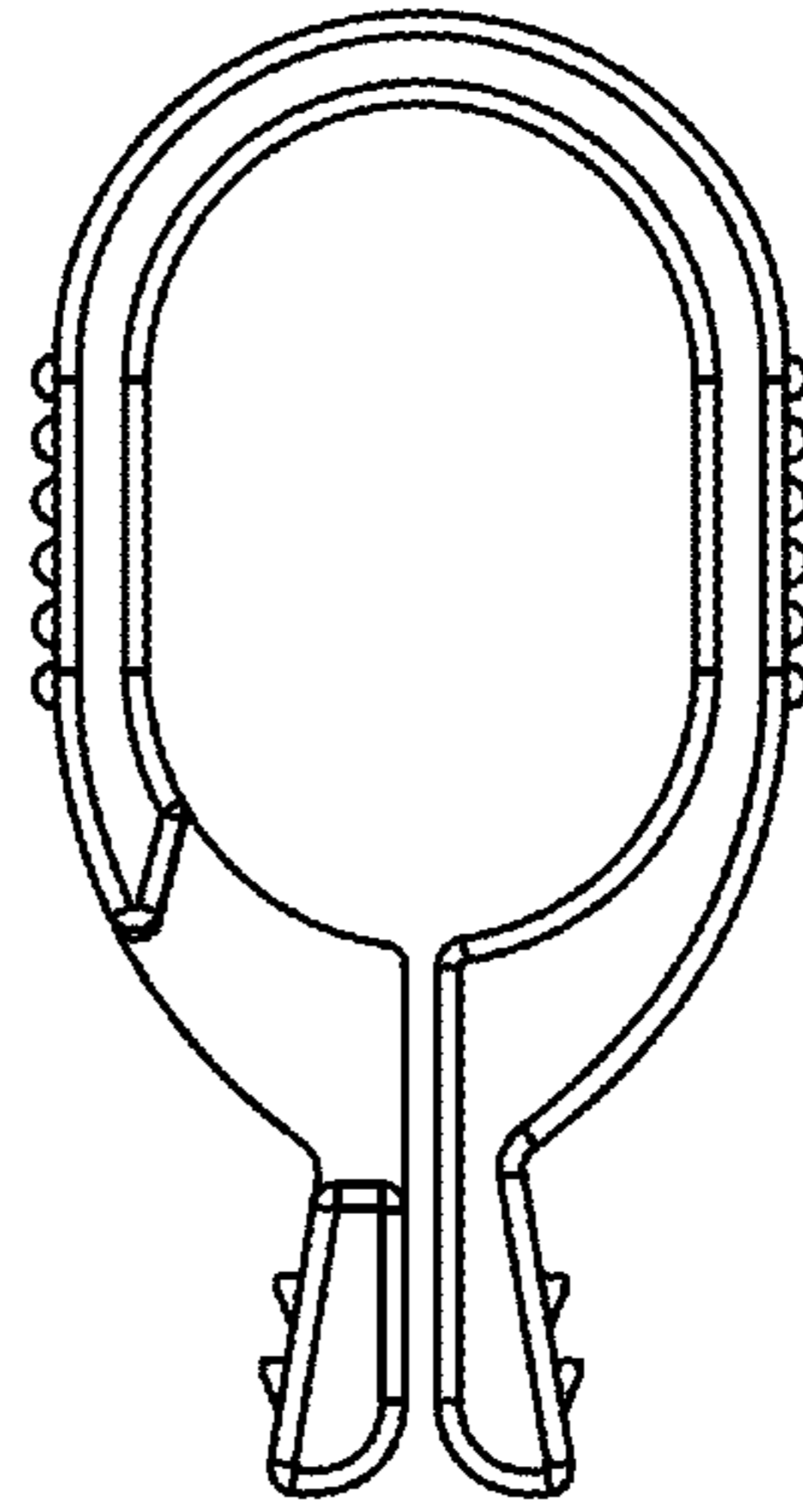


FIG. 24