



US00D954957S

(12) **United States Design Patent**
Esh

(10) **Patent No.:** **US D954,957 S**

(45) **Date of Patent:** **** Jun. 14, 2022**

(54) **BREATH SHIELD FOR A SLIT LAMP MICROSCOPE**

Primary Examiner — Anhdao Doan

(74) *Attorney, Agent, or Firm* — Saxton & Stump, LLC

(71) Applicant: **Christopher Esh**, Lititz, PA (US)

(57) **CLAIM**

(72) Inventor: **Christopher Esh**, Lititz, PA (US)

The ornamental design for a breath shield for a slit lamp microscope, as shown and described.

(**) Term: **15 Years**

DESCRIPTION

(21) Appl. No.: **29/739,761**

(22) Filed: **Jun. 29, 2020**

(51) **LOC (13) Cl.** **24-01**

(52) **U.S. Cl.**
USPC **D24/158**; D24/172

(58) **Field of Classification Search**
USPC D24/107, 158–161, 185, 186, 172;
D16/130, 131

CPC A61B 3/135; A61B 90/20; A61B 2560/06
See application file for complete search history.

FIG. 1 is a front perspective view of a breath shield in a first configuration which is a mirror image of the rear perspective view of the breath shield;

FIG. 2 is a front perspective view of the breath shield shown in a second configuration;

FIG. 3 is a plan view of the breath shield;

FIG. 4 is a bottom view of the breath shield;

FIG. 5 is a right side elevation view of the breath shield which is a mirror image of the left side elevation view of the breath shield;

FIG. 6 is a right side elevation environmental view of the breath shield shown installed on an eye examination instrument in the same configuration as shown in FIG. 1;

FIG. 7 is a right side elevation environmental view of the breath shield shown installed on a slit lamp microscope eye examination instrument in the same configuration as shown in FIG. 2;

FIG. 8 is a front elevation view of the breath shield shown in the first configuration, the front elevation being a mirror image of the rear elevation view; and,

FIG. 9 is a front elevation view of the breath shield shown in the first configuration, the front elevation being a mirror image of the rear elevation view.

The broken lines shown in FIGS. 6 and 7 depict environmental subject matter that form no part of the claimed design.

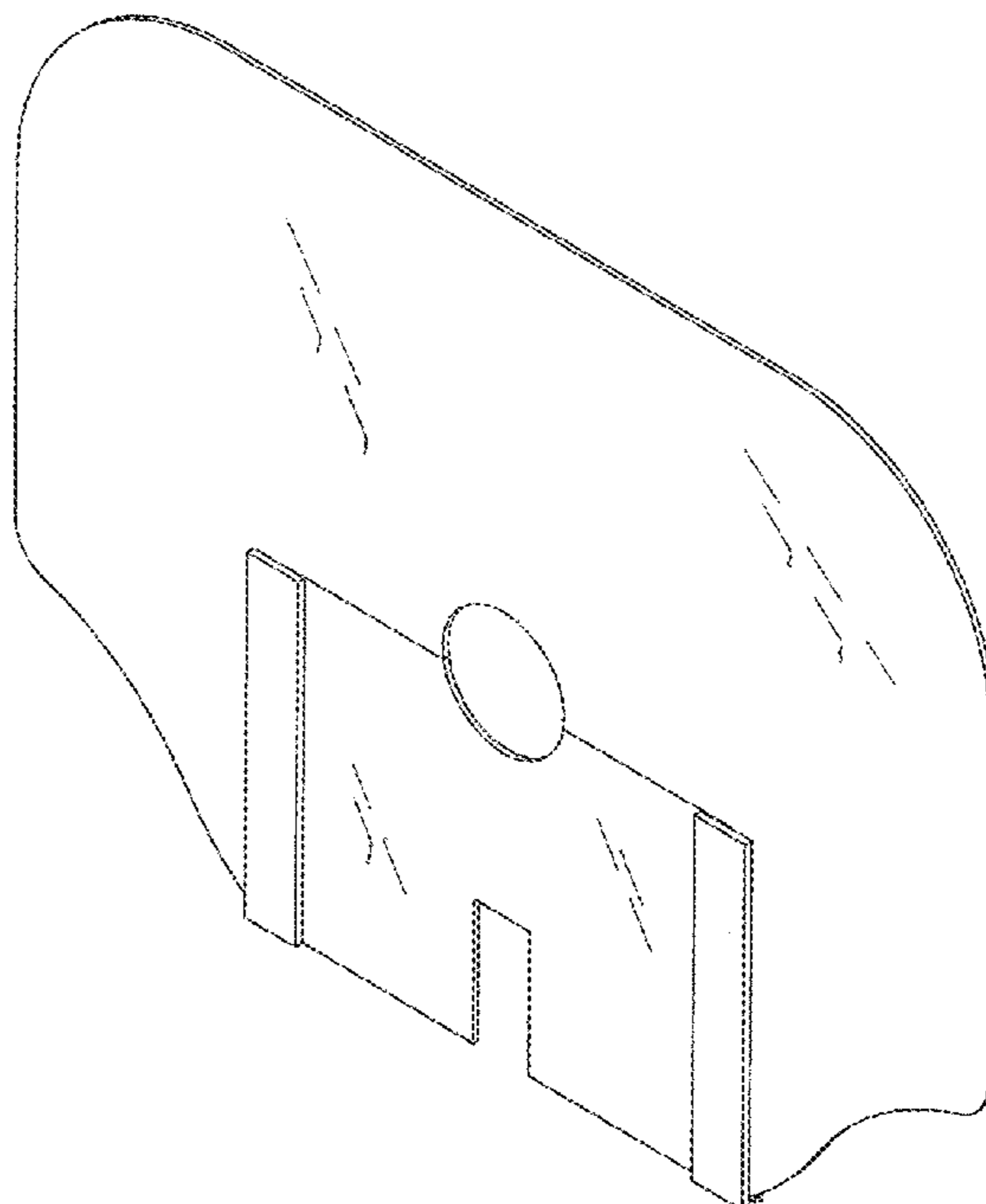
(56) **References Cited**

U.S. PATENT DOCUMENTS

D256,470 S *	8/1980	Gordon	356/244
4,618,222 A *	10/1986	Eisenberg	H05F 3/02
				359/507
D598,550 S *	8/2009	DeGross	D24/158
D629,109 S *	12/2010	Phillips	D24/158
D734,471 S *	7/2015	Pollanen	D24/172
D772,415 S *	11/2016	Ballsieper	D24/158
D775,340 S *	12/2016	Ballsieper	D24/158
D830,554 S *	10/2018	Ballsieper	D24/158
D922,583 S *	6/2021	Kobayashi	D24/172
D935,616 S *	11/2021	Dawson	D24/231
D940,874 S *	1/2022	Edwards	D24/172
2021/0356727 A1 *	11/2021	Abdenour	A61B 46/40
2022/0061954 A1 *	3/2022	Madow	A61B 3/13

* cited by examiner

1 Claim, 4 Drawing Sheets



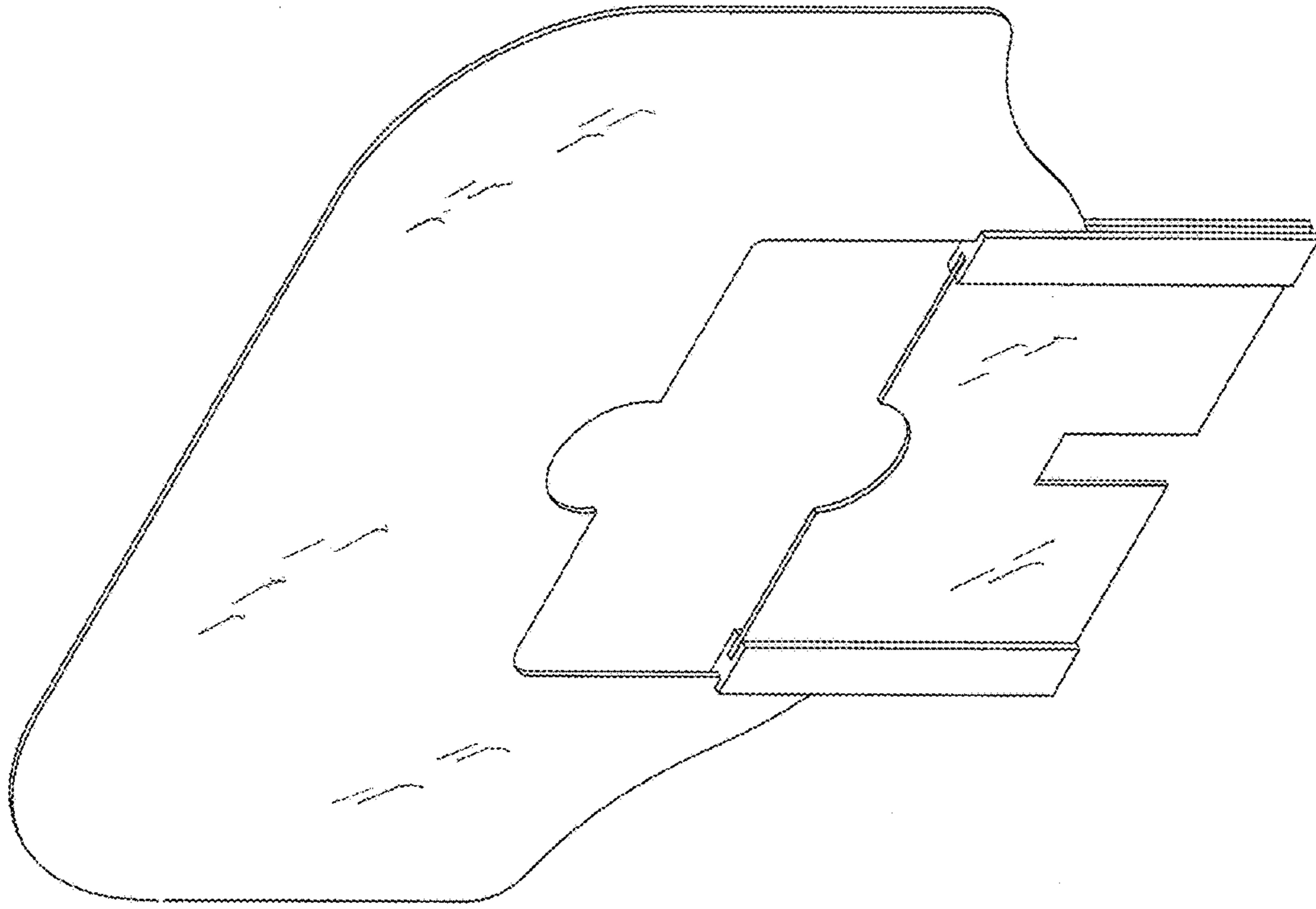


FIG. 1

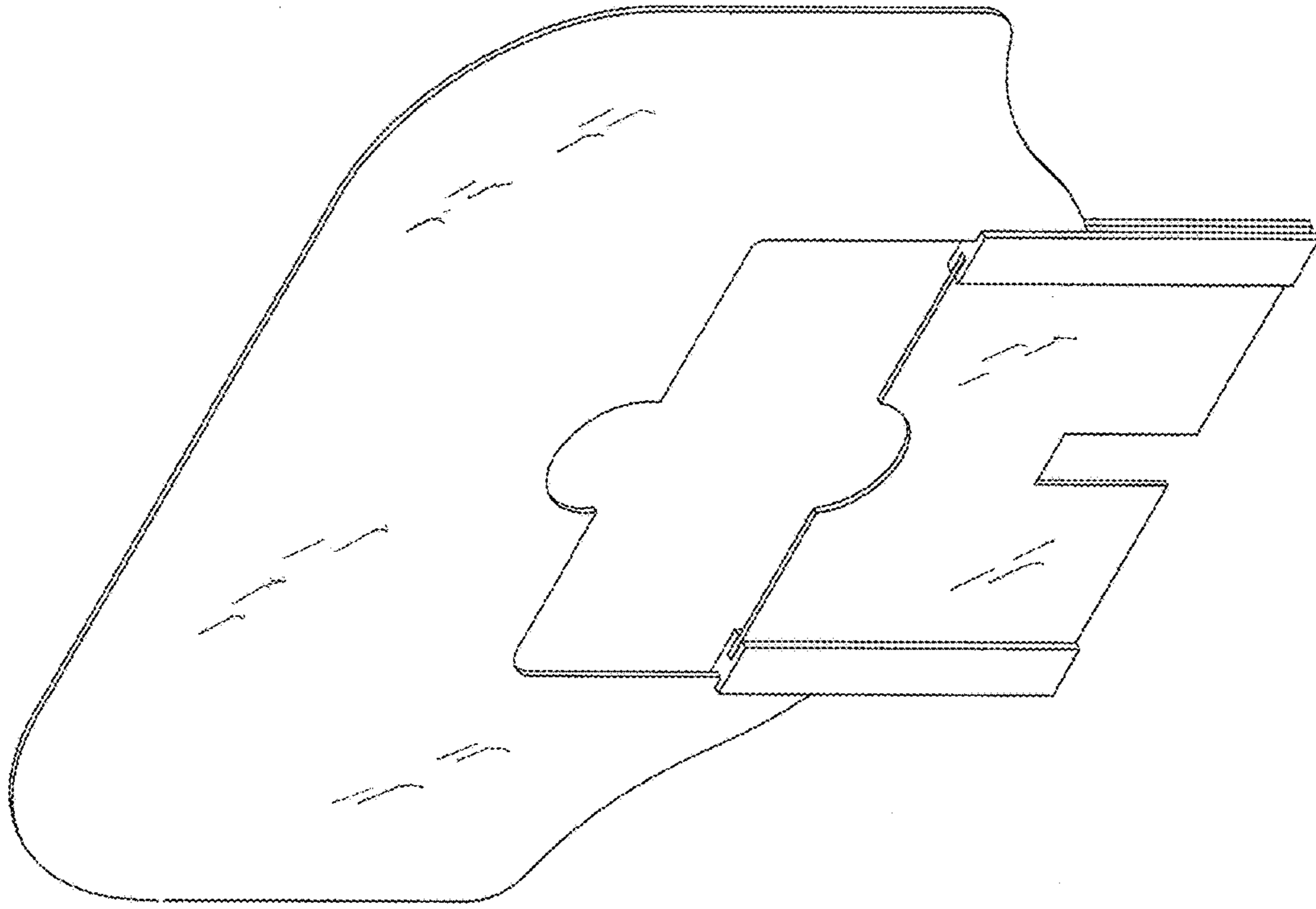


FIG. 2

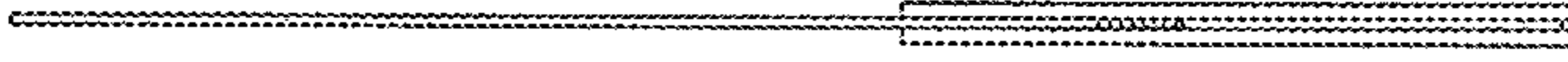


FIG. 5

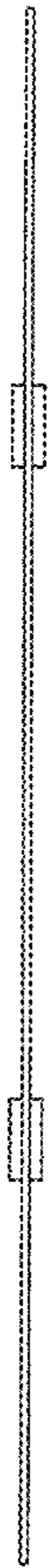


FIG. 3



FIG. 4

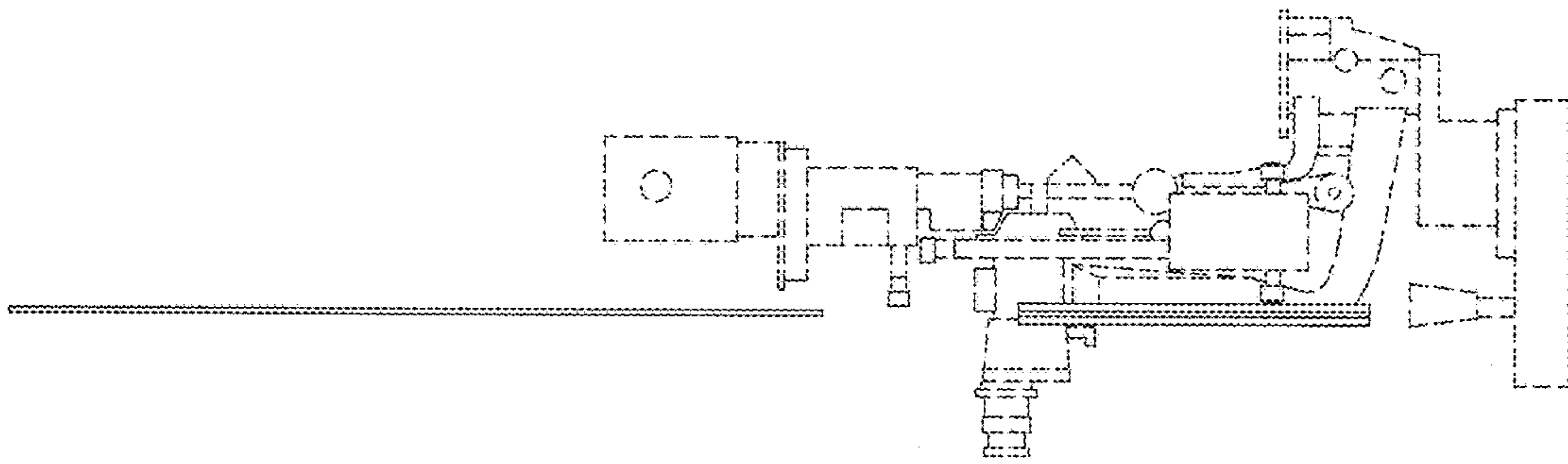


FIG. 7

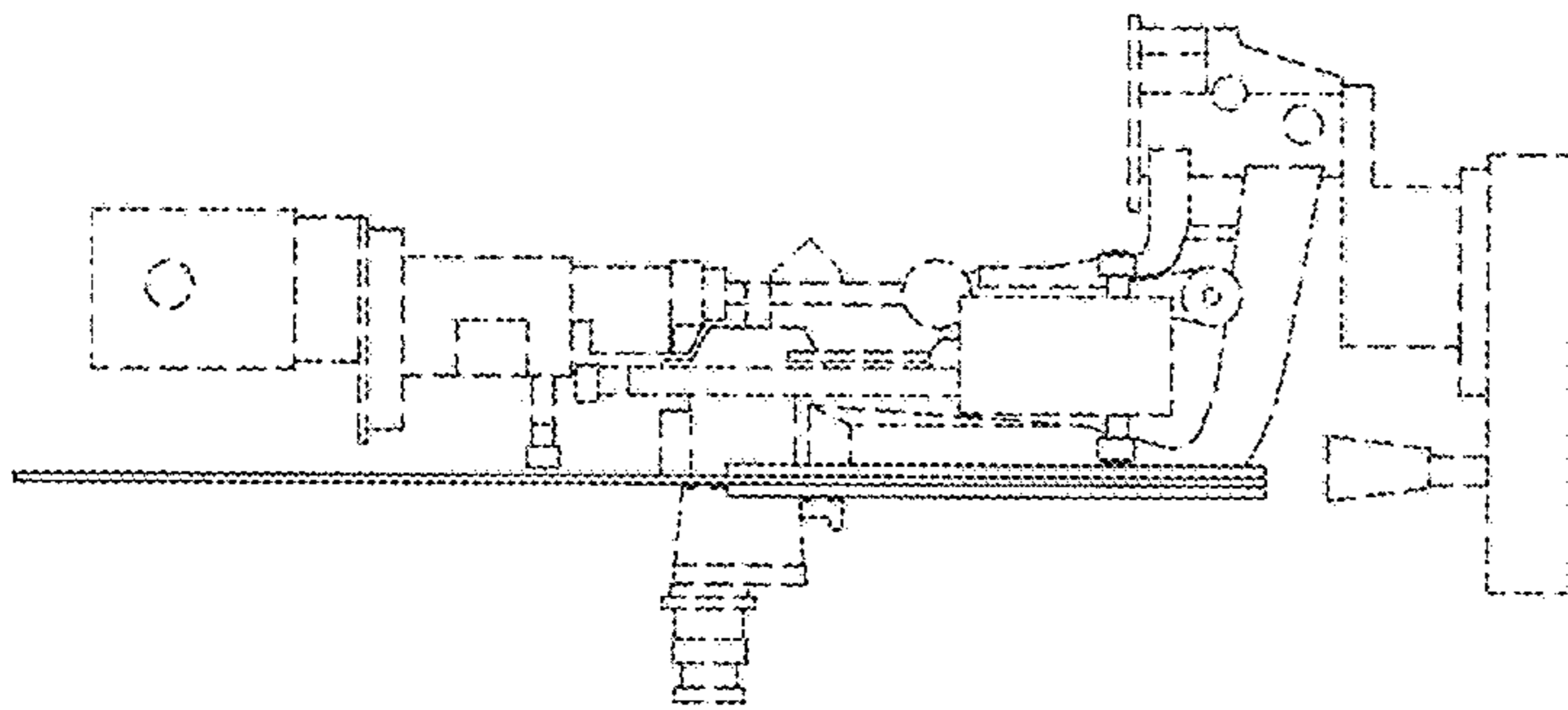


FIG. 6

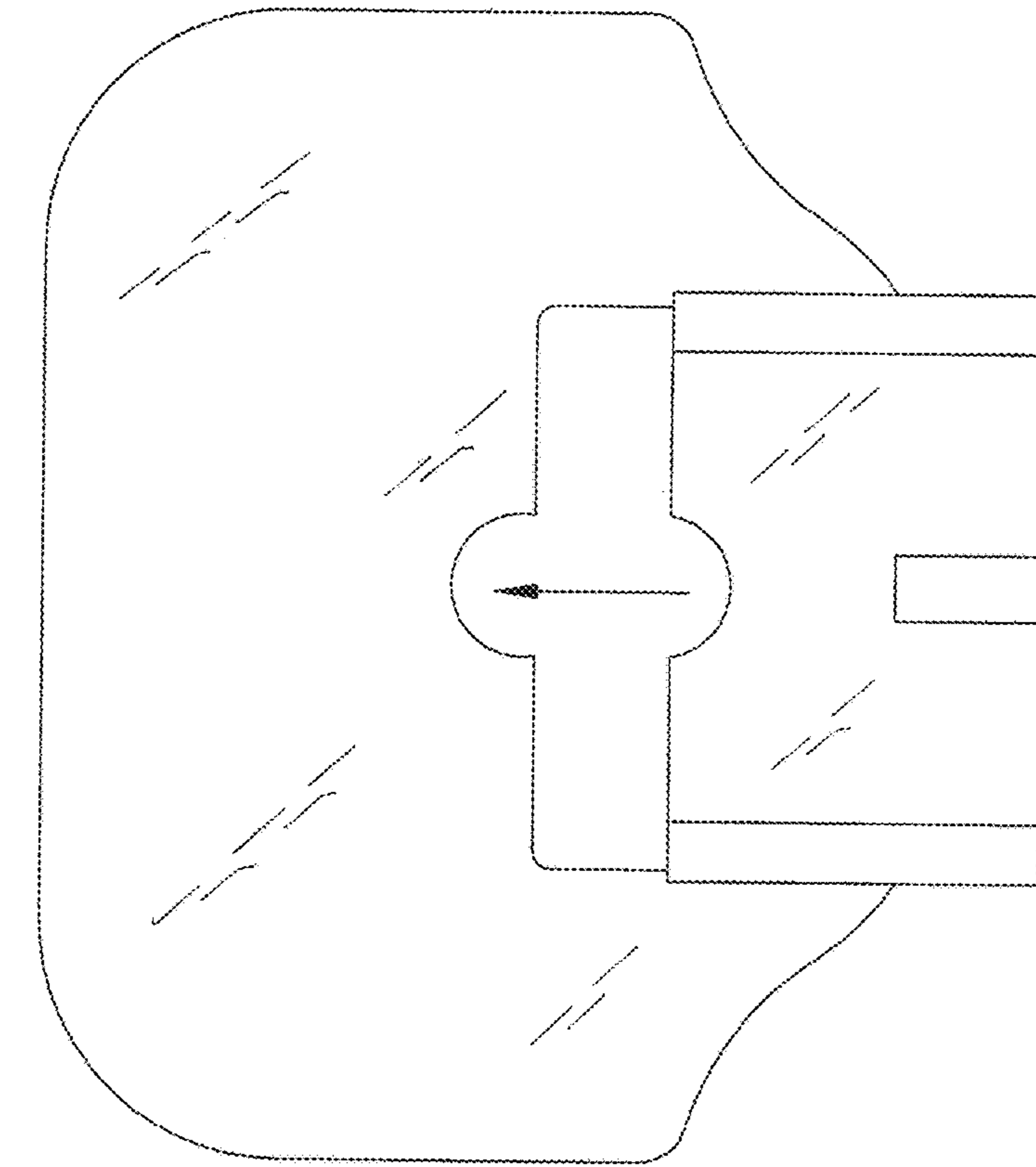


FIG. 8

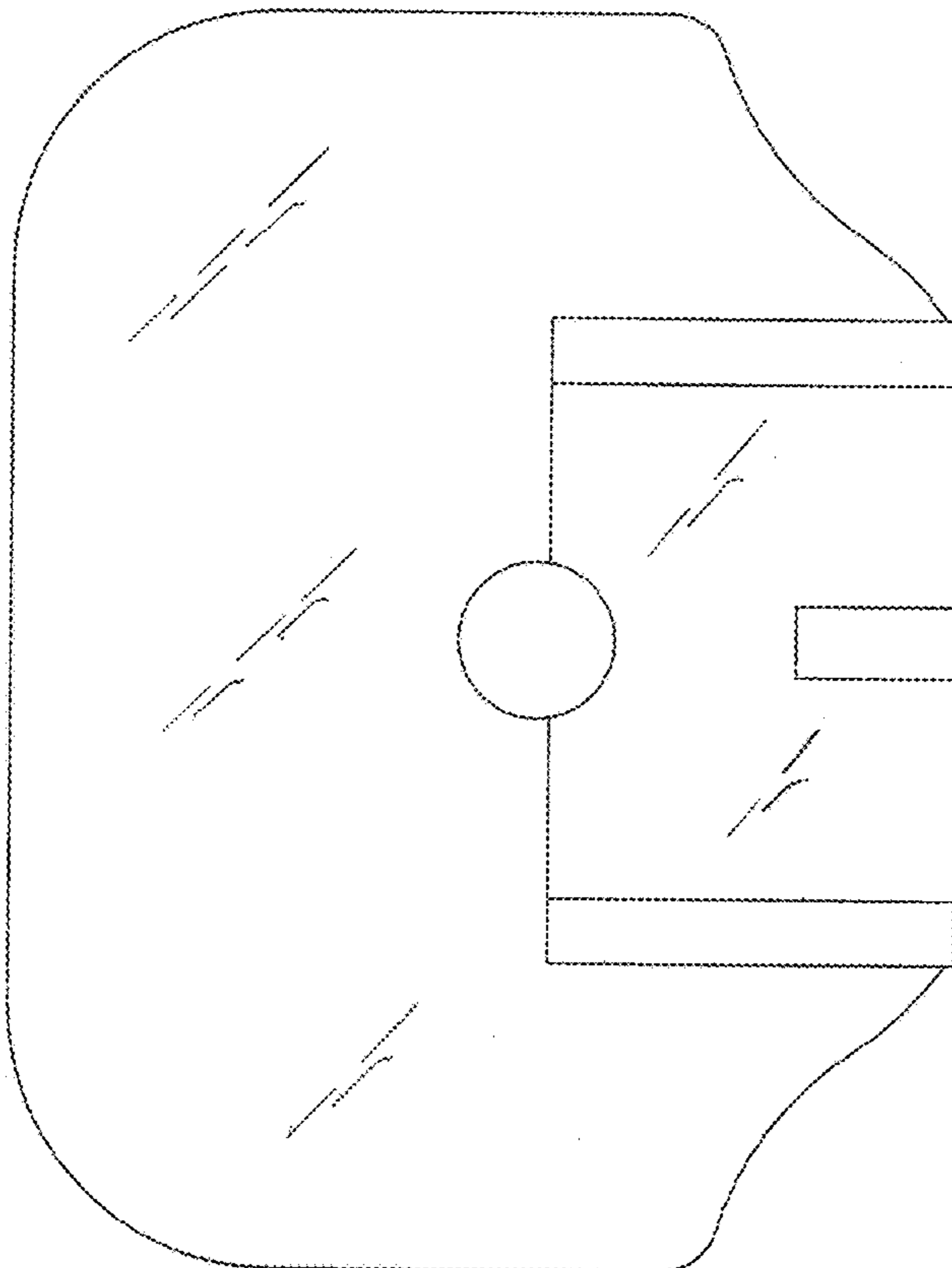


FIG. 9