



US00D954955S

(12) **United States Design Patent**
Gatenholm et al.

(10) **Patent No.: US D954,955 S**
(45) **Date of Patent: ** Jun. 14, 2022**

(54) **LIVE-CELL IMAGING DEVICE**
(71) Applicant: **Cellink AB**, Gothenburg (SE)
(72) Inventors: **Erik Gatenholm**, Boston, MA (US);
Héctor Martínez, Gothenburg (SE);
Niclas Johansson, Gothenburg (SE);
Sebastian Persson, Gothenburg (SE);
Adam Micha, Gråbo (SE)

D834,724 S * 11/2018 Mathers D24/232
D849,816 S * 5/2019 Klein D16/131
D861,747 S * 10/2019 Grip D15/122
D895,841 S * 9/2020 Mathers D24/232
D907,087 S * 1/2021 Apotheloz D16/131
D907,244 S * 1/2021 Sydlowski D24/232
2005/0196857 A1* 9/2005 Lee G02B 21/34
435/292.1

(73) Assignee: **Cellink AB**, Gothenburg (SE)
(**) Term: **15 Years**

(21) Appl. No.: **29/699,646**

(22) Filed: **Jul. 26, 2019**

(30) **Foreign Application Priority Data**

Jan. 28, 2019 (EM) 006096533

(51) **LOC (13) Cl.** **24-01**

(52) **U.S. Cl.**
USPC **D24/158**; D24/216; D16/131

(58) **Field of Classification Search**
USPC D24/107, 158–161, 185, 186, 187, 216,
D24/224, 226–229, 231, 232; D16/221,
D16/225, 229, 235, 131
CPC A61B 6/03; A61L 27/20; G01R 33/4812;
G02B 21/34
See application file for complete search history.

(56) **References Cited**

U.S. PATENT DOCUMENTS

D695,801 S * 12/2013 Hagmann D16/131
D737,452 S * 8/2015 Park D24/185
D786,438 S * 5/2017 Sul D24/158
D787,086 S * 5/2017 Ohsaka D24/224
D787,679 S * 5/2017 Sul D24/158
D818,127 S * 5/2018 Nishimura D24/158
D818,591 S * 5/2018 Asai D24/158

OTHER PUBLICATIONS

Celloger Mini. Online, published date unknown. Retrieved on Sep. 12, 2020 from URL: <https://www.biotronhealthcare.com/celloger-mini/>.*

The leading bioprinting company, Revolutionizing cell cultivation systems. Online, published date unknown. Retrieved on Sep. 12, 2020 from URL: <https://www.cellink.com/>.*

(Continued)

Primary Examiner — Omeed Agilee

(74) *Attorney, Agent, or Firm* — Knobbe Martens Olson & Bear LLP

(57) **CLAIM**

The ornamental design for a live-cell imaging device, as shown and described.

DESCRIPTION

FIG. 1 is a front perspective view of a live-cell imaging device showing our new design.

FIG. 2 is a front elevational view thereof.

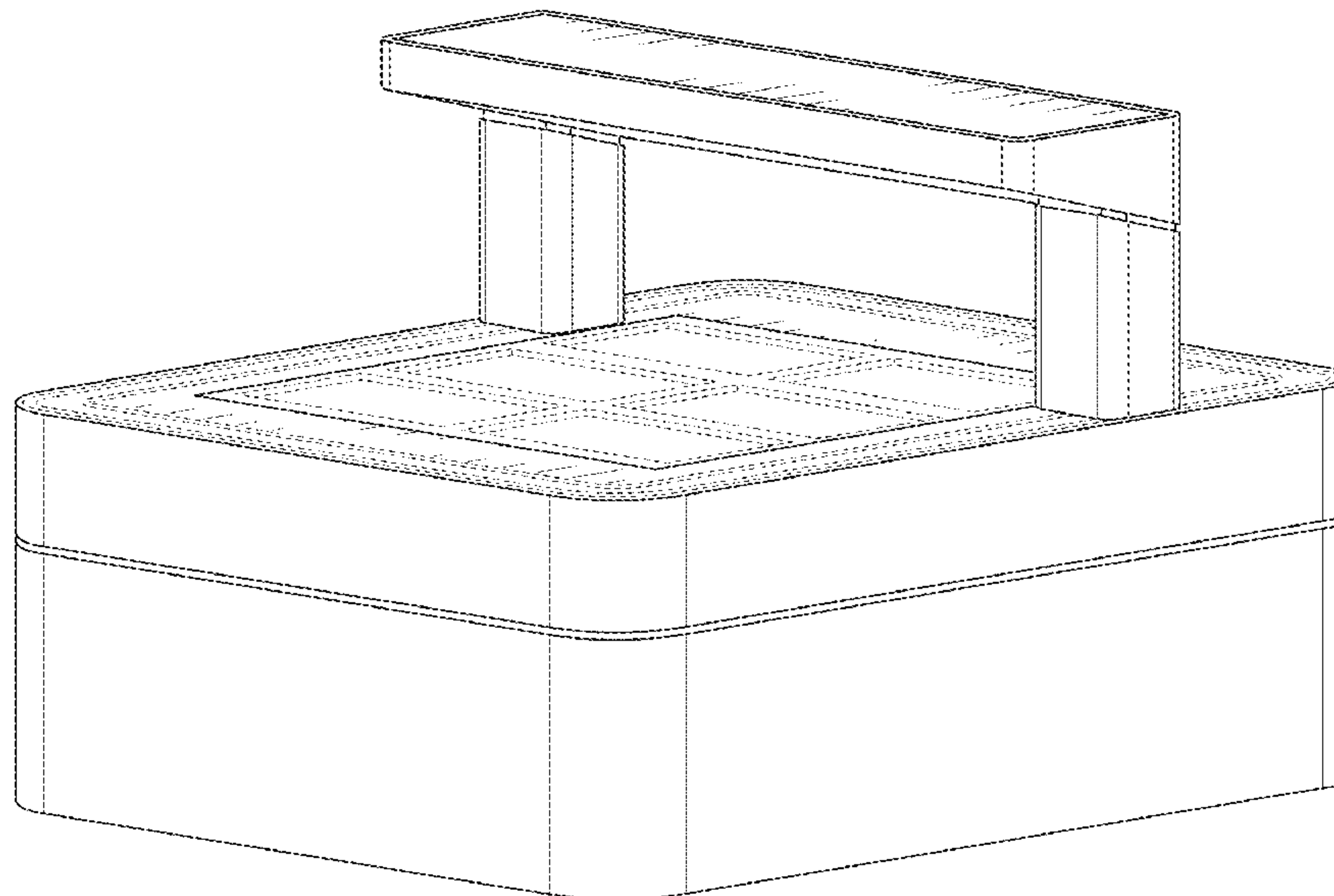
FIG. 3 is right side elevational view thereof; a left side elevational view is a mirror image of the right side elevational view.

FIG. 4 is a rear elevational view thereof; and,

FIG. 5 is a top plan view thereof.

The evenly dashed broken lines in the views depict portions of the live-cell imaging device that form no part of the claimed design.

1 Claim, 5 Drawing Sheets



(56)

References Cited

OTHER PUBLICATIONS

Introducing Cellink Cellcyte X. Online, published date Feb. 4, 2019.

Retrieved on Aug. 10, 2021 from URL: <https://www.youtube.com/watch?v=anSOT6MLviM&t=6s>.*

Celloger Mini, Automated Live Cell Imaging System From Curiosis. Online, published date Feb. 4, 2021 from URL: <https://www.youtube.com/watch?v=-kO6tPJI2E>.*

* cited by examiner

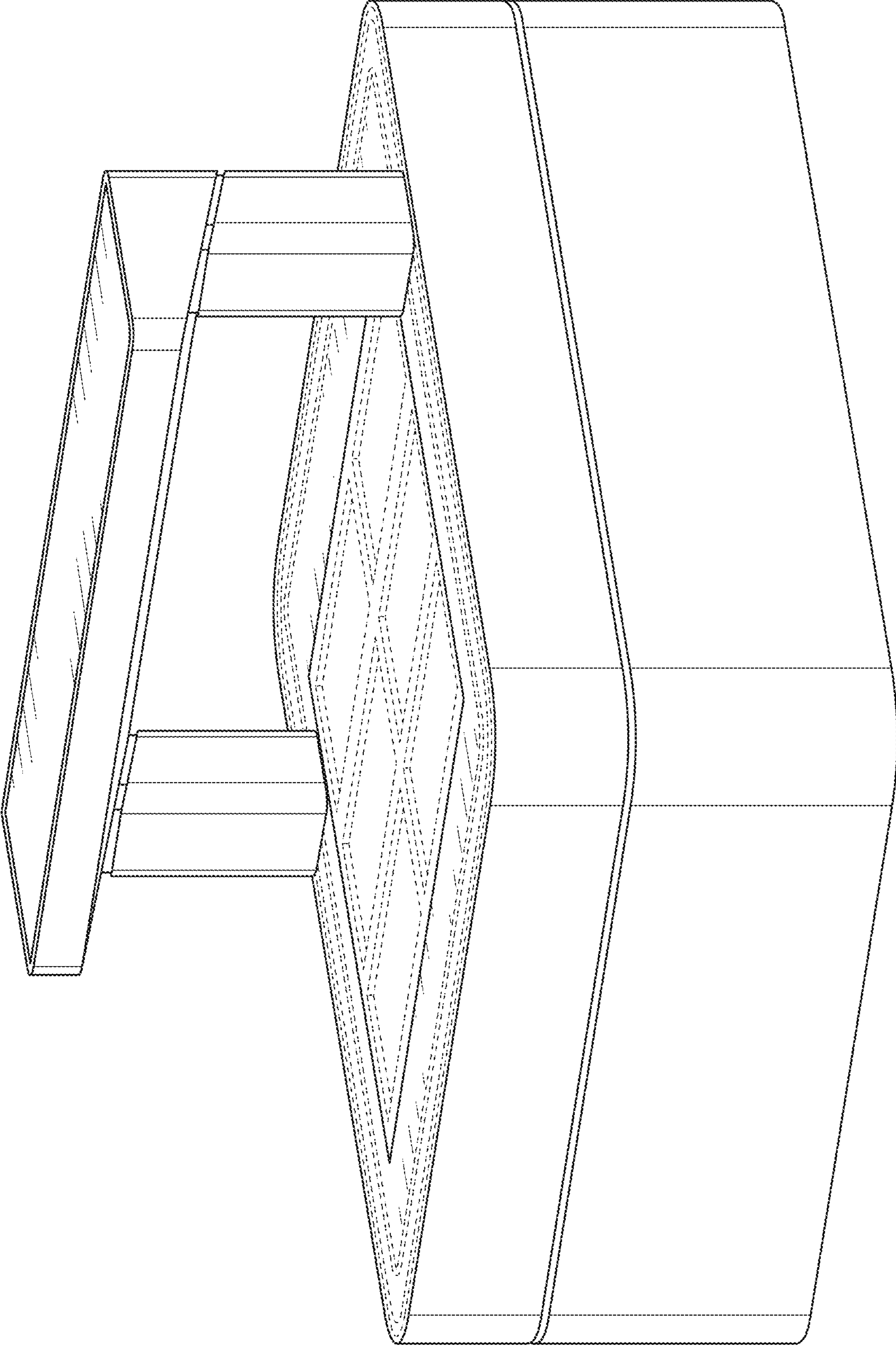


FIG. 1

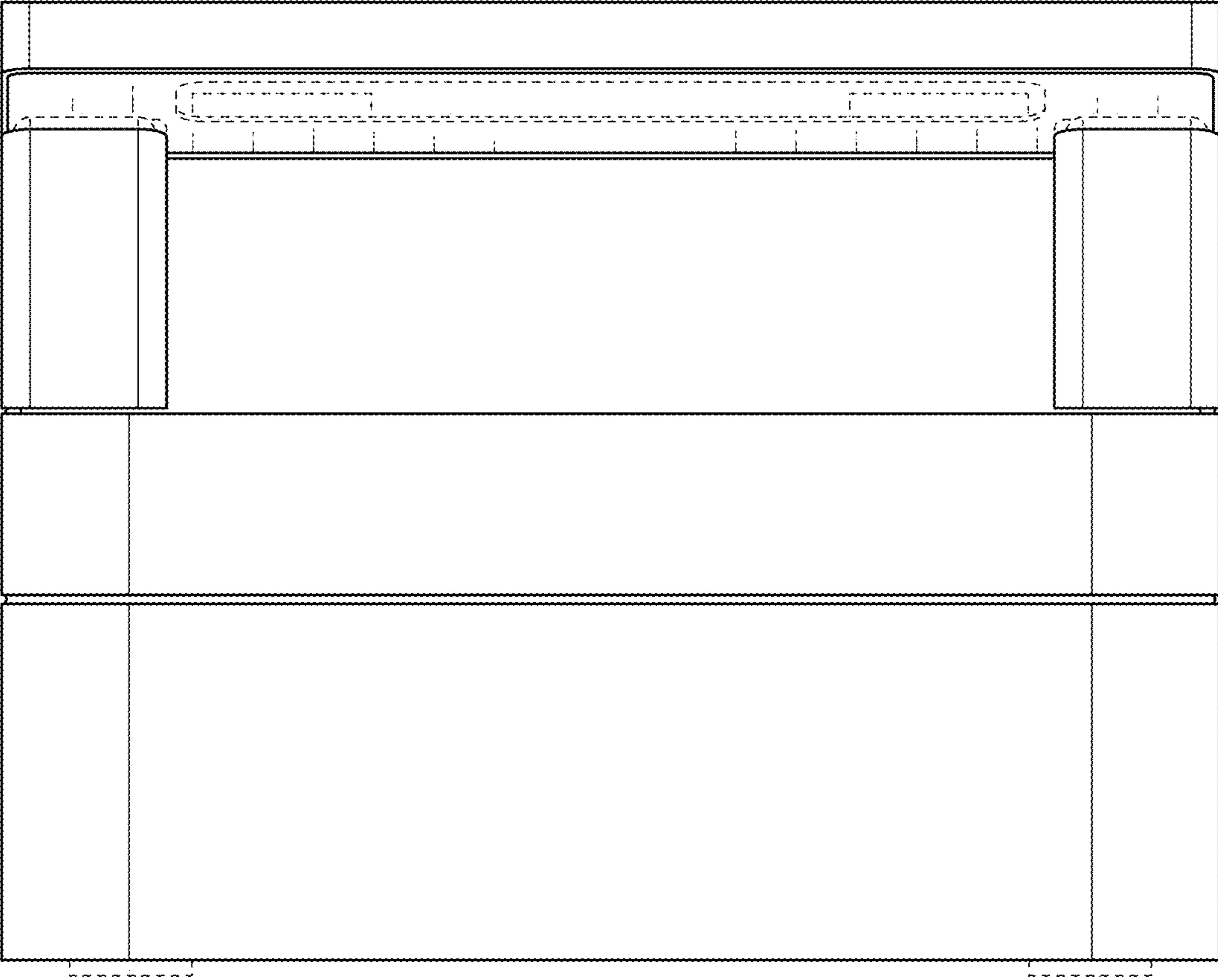


FIG. 2

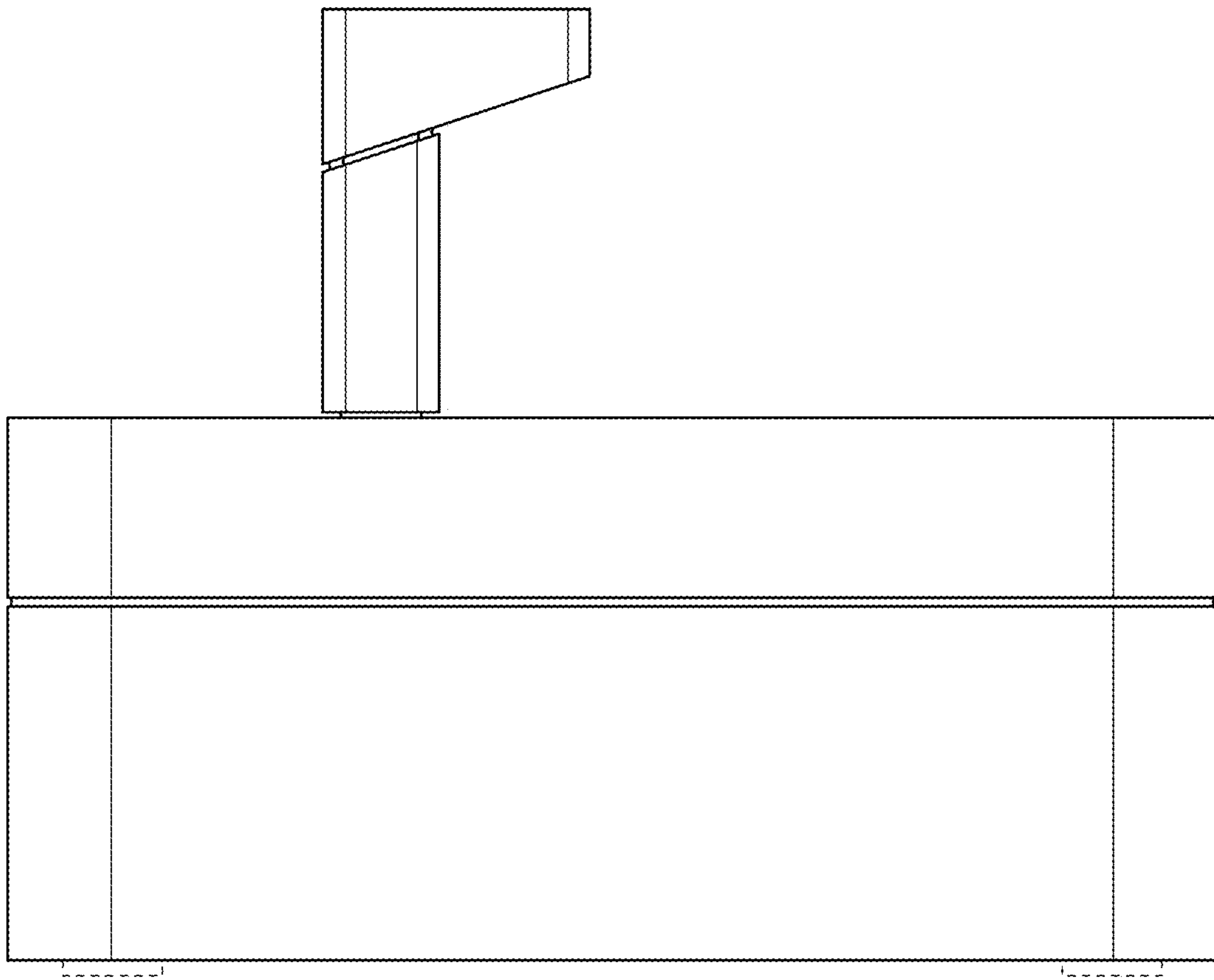


FIG. 3

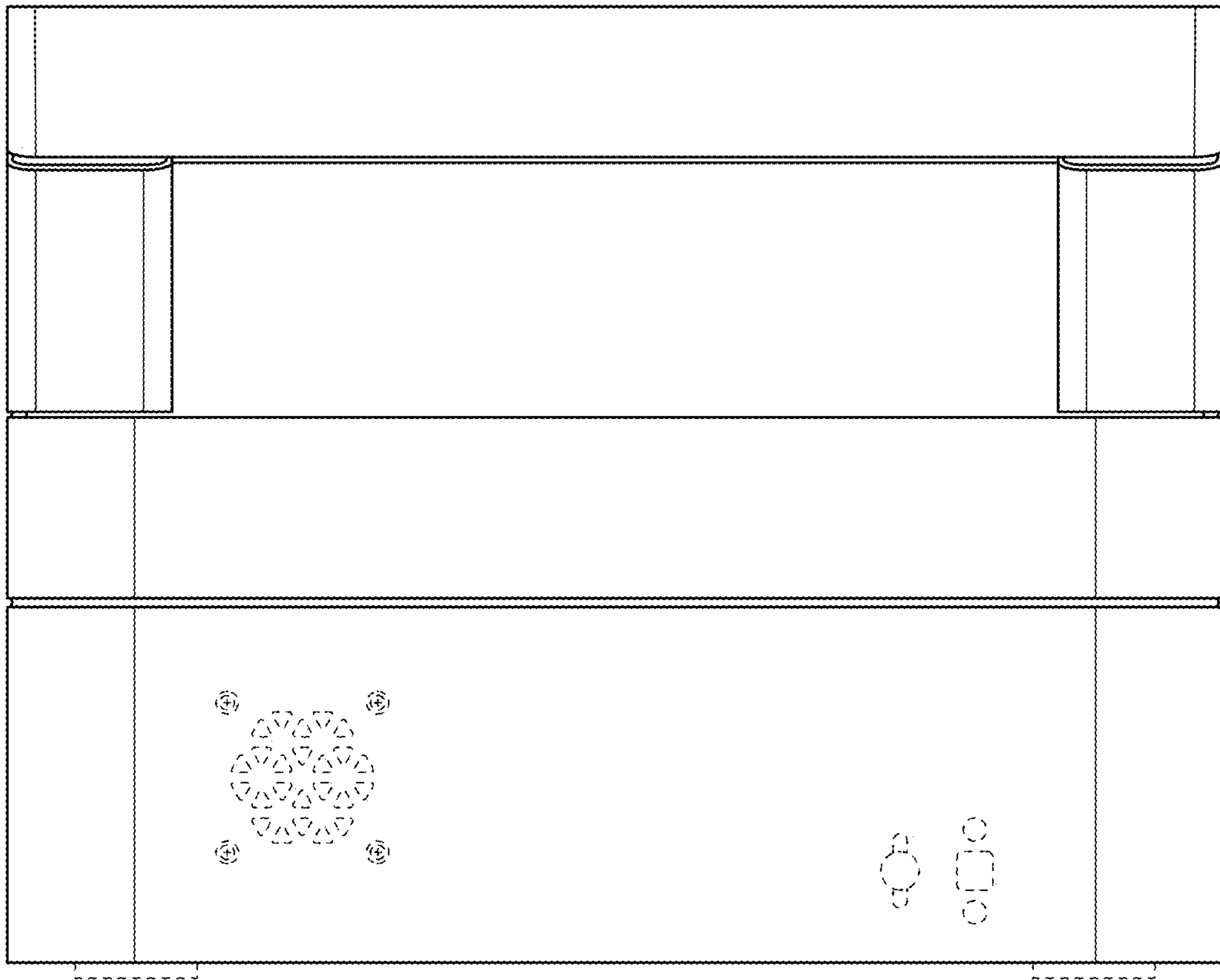


FIG. 4

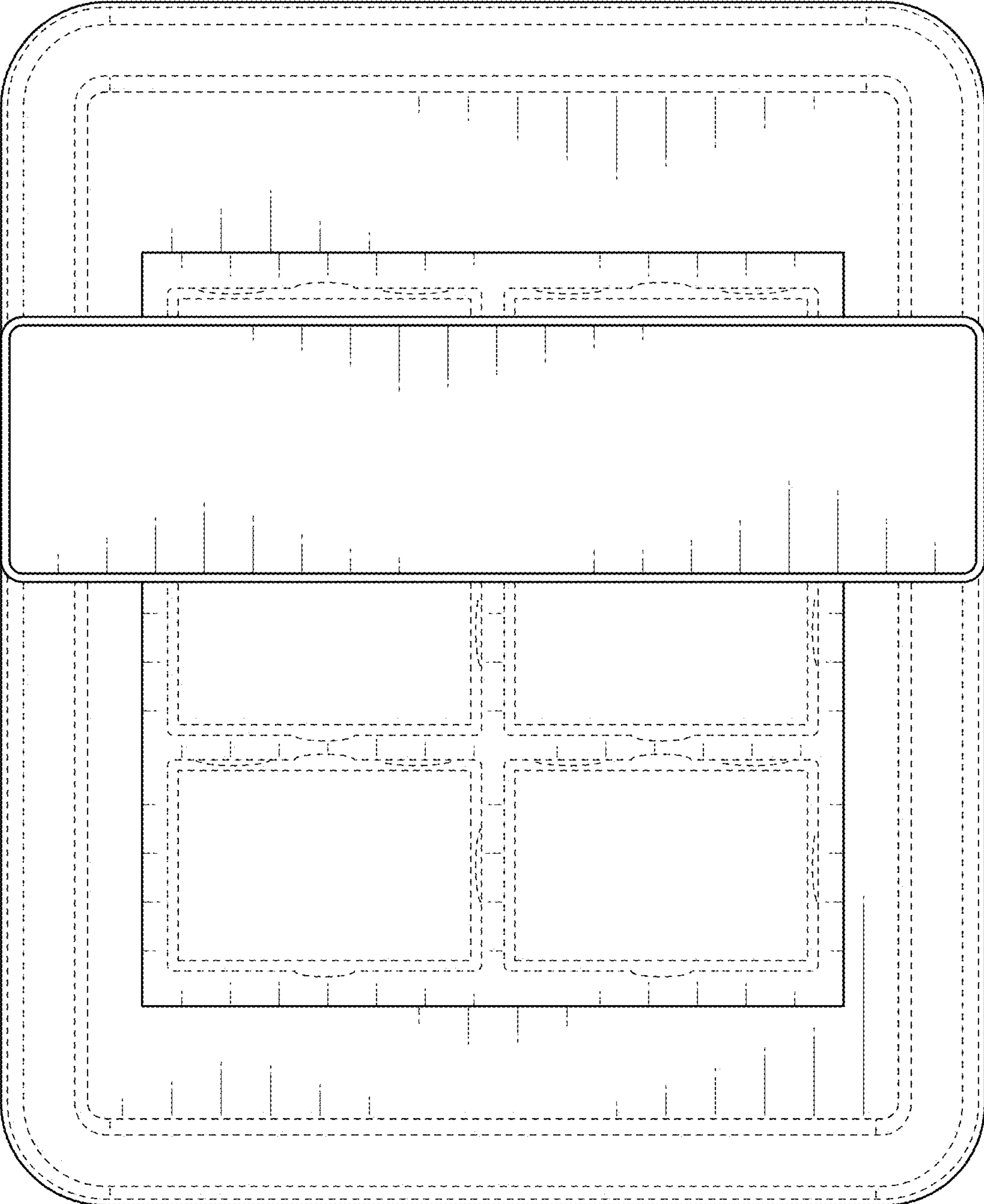


FIG. 5