



US00D954954S

(12) **United States Design Patent**
Rynerson

(10) **Patent No.:** **US D954,954 S**
(45) **Date of Patent:** **** Jun. 14, 2022**

(54) **ELECTROLYTIC EYEPIECE**

(71) Applicant: **James M. Rynerson**, Franklin, TN
(US)

(72) Inventor: **James M. Rynerson**, Franklin, TN
(US)

(**) Term: **15 Years**

(21) Appl. No.: **29/682,693**

(22) Filed: **Mar. 7, 2019**

(51) **LOC (13) Cl.** **24-04**

(52) **U.S. Cl.**
USPC **D24/157**

(58) **Field of Classification Search**
USPC D24/120
CPC A61H 35/00; A61H 35/02
See application file for complete search history.

(56) **References Cited**

U.S. PATENT DOCUMENTS

2,847,010	A *	8/1958	Knight	A61H 35/02 604/301
D293,474	S *	12/1987	Jermyn	D24/115
D330,418	S *	10/1992	Carter	D24/120
D370,257	S *	5/1996	Christopher	604/294
5,980,928	A *	11/1999	Terry	A61F 9/0017 424/423
6,132,421	A *	10/2000	Clapham	A61F 9/008 606/17
D502,771	S *	3/2005	Al Amri	D24/120
7,850,637	B2 *	12/2010	Lynch	A61F 9/00781 604/8
8,925,135	B1 *	1/2015	Makar	A46B 15/0097 15/118
D748,247	S *	1/2016	MacRae	D24/120
9,629,953	B2 *	4/2017	Rucinski	A61M 3/0279

(Continued)

Primary Examiner — Charles D Hanson

(74) *Attorney, Agent, or Firm* — Wood Herron & Evans
LLP

(57) **CLAIM**

The ornamental design for an electrolytic eyepiece, as shown and described.

DESCRIPTION

FIG. 1 is a front right perspective view of an electrolytic eyepiece according to the present invention, where at least a portion of the eyepiece is shown positioned underneath an eyelid of a subject. The dash lines are shown to illustrate environmental aspects of the invention and these portions form no part of the claimed invention.

FIG. 2 is an enlarged front right perspective view of an electrolytic eyepiece according to the present invention.

FIG. 3 is rear right perspective view of the eyepiece according to the embodiment of FIG. 1.

FIG. 4 is a front view thereof.

FIG. 5 is a rear view thereof.

FIG. 6 is a left side view.

FIG. 7 is a right side view thereof.

FIG. 8 is a top view thereof.

FIG. 9 is a bottom view thereof.

FIG. 10 is a front right perspective view of an alternative embodiment of the present invention shown in FIG. 1.

FIG. 11 is rear right perspective view of the eyepiece according to the embodiment of FIG. 10.

FIG. 12 is a front view thereof.

FIG. 13 is a rear view thereof.

FIG. 14 is a left side view.

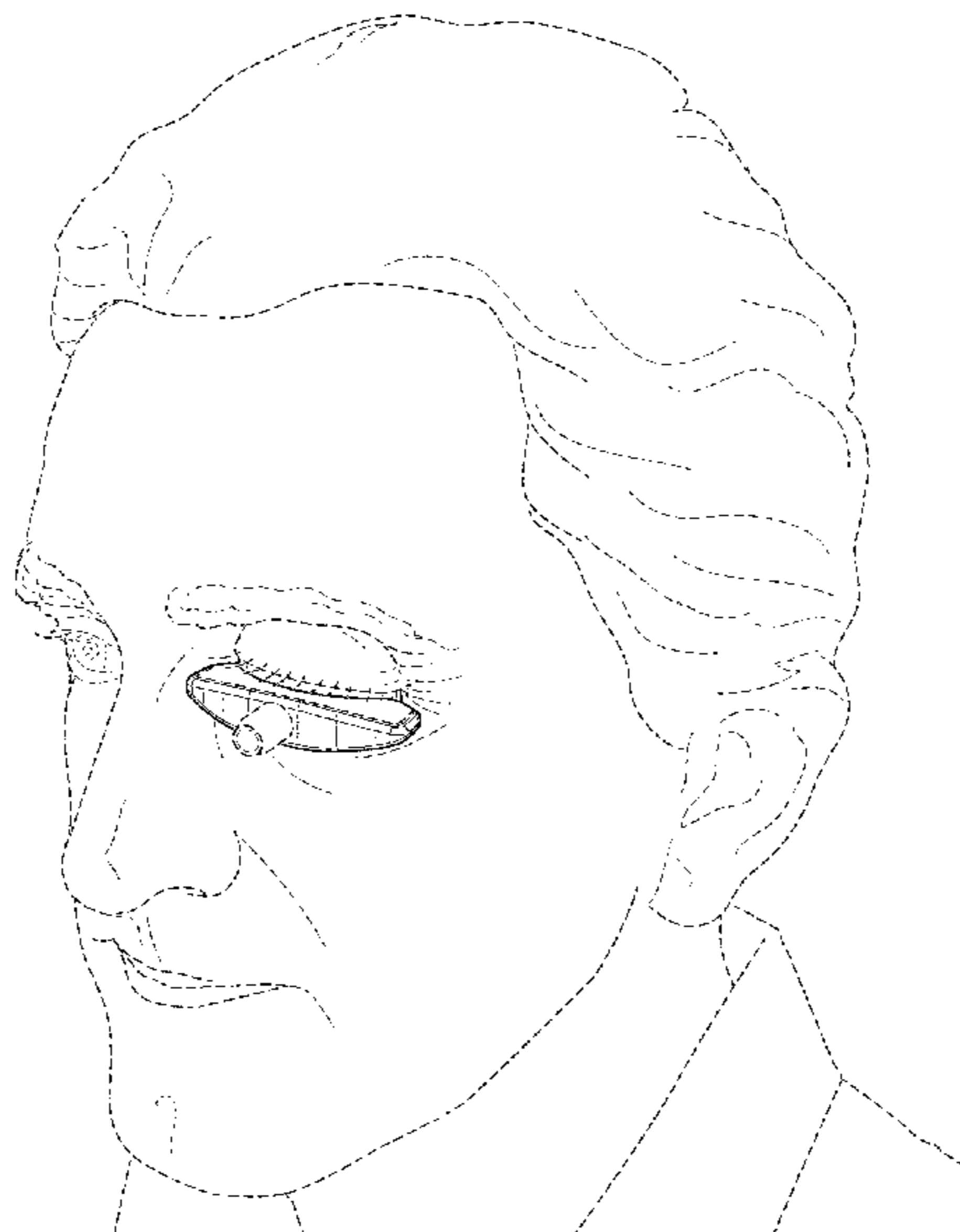
FIG. 15 is a right side view thereof.

FIG. 16 is a top view thereof; and,

FIG. 17 is a bottom view thereof.

The dash lines are shown to illustrate environmental aspects of the invention and these portions form no part of the claimed invention. Also, the broken lines adjacent to the shaded or sectional portions forms and unclaimed boundary of the design.

1 Claim, 9 Drawing Sheets



(56)

References Cited

U.S. PATENT DOCUMENTS

D852,351 S * 6/2019 Alvino D24/120
D928,945 S * 8/2021 Ajaelo D24/120

* cited by examiner

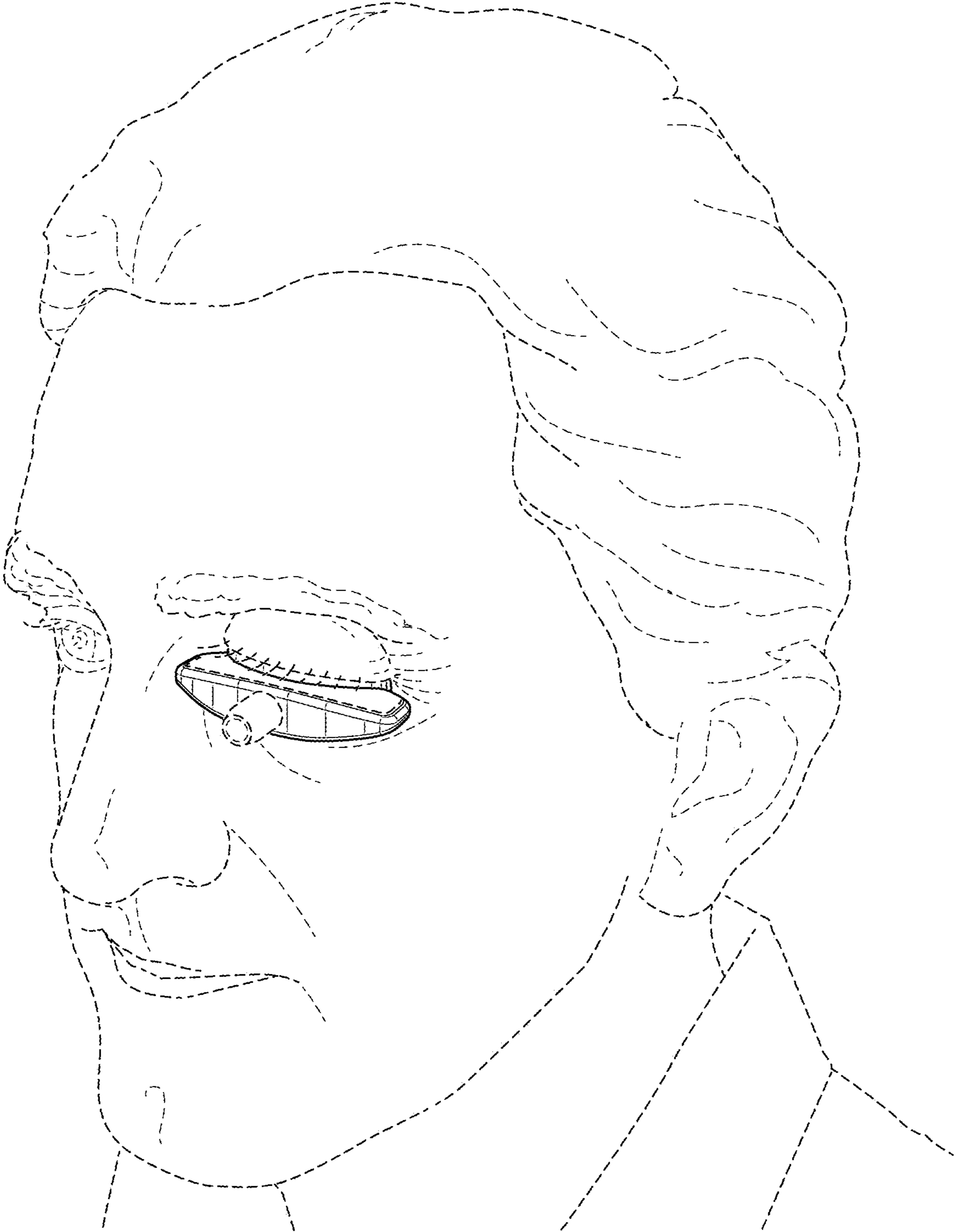


FIG. 1

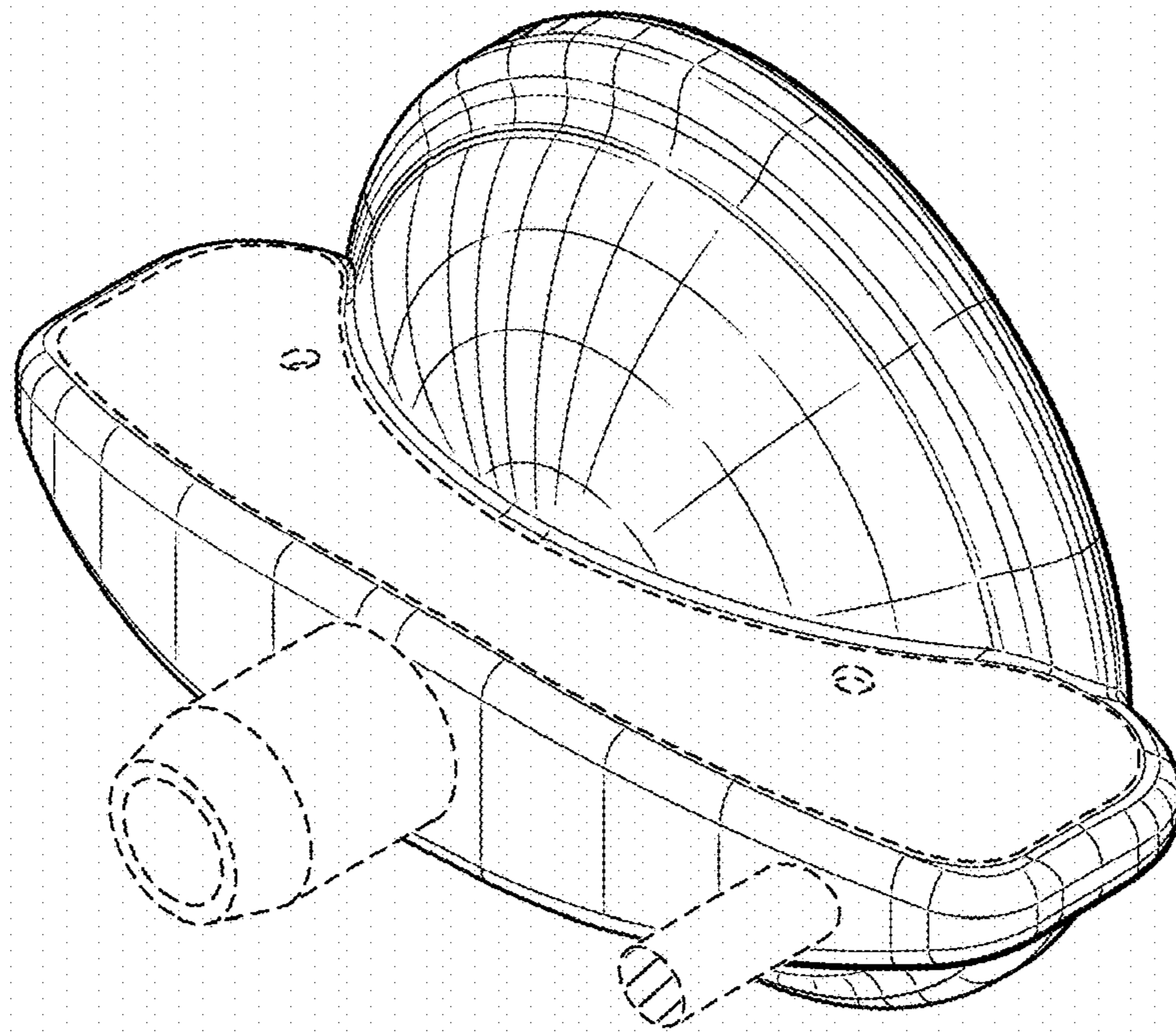


FIG. 2

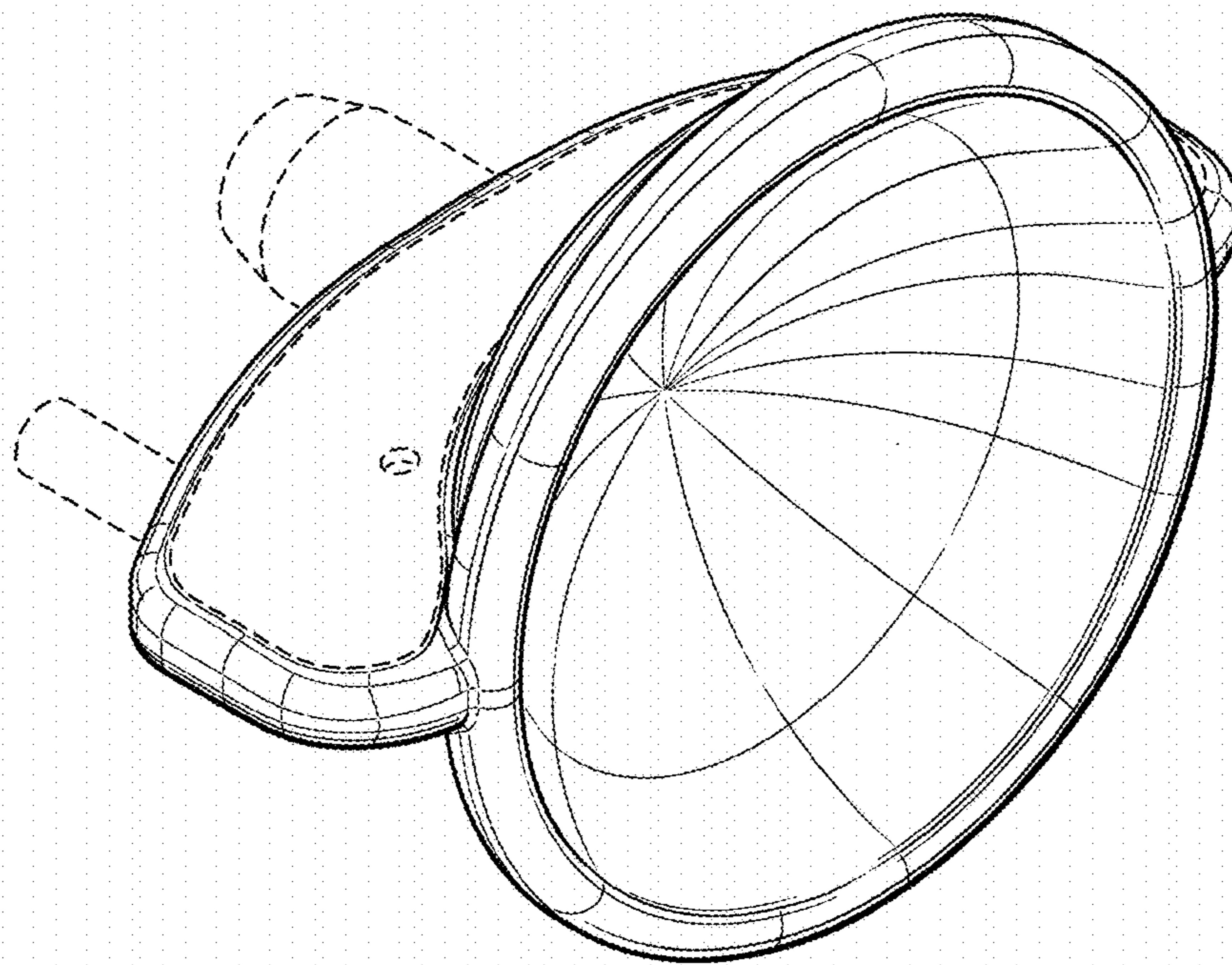


FIG. 3

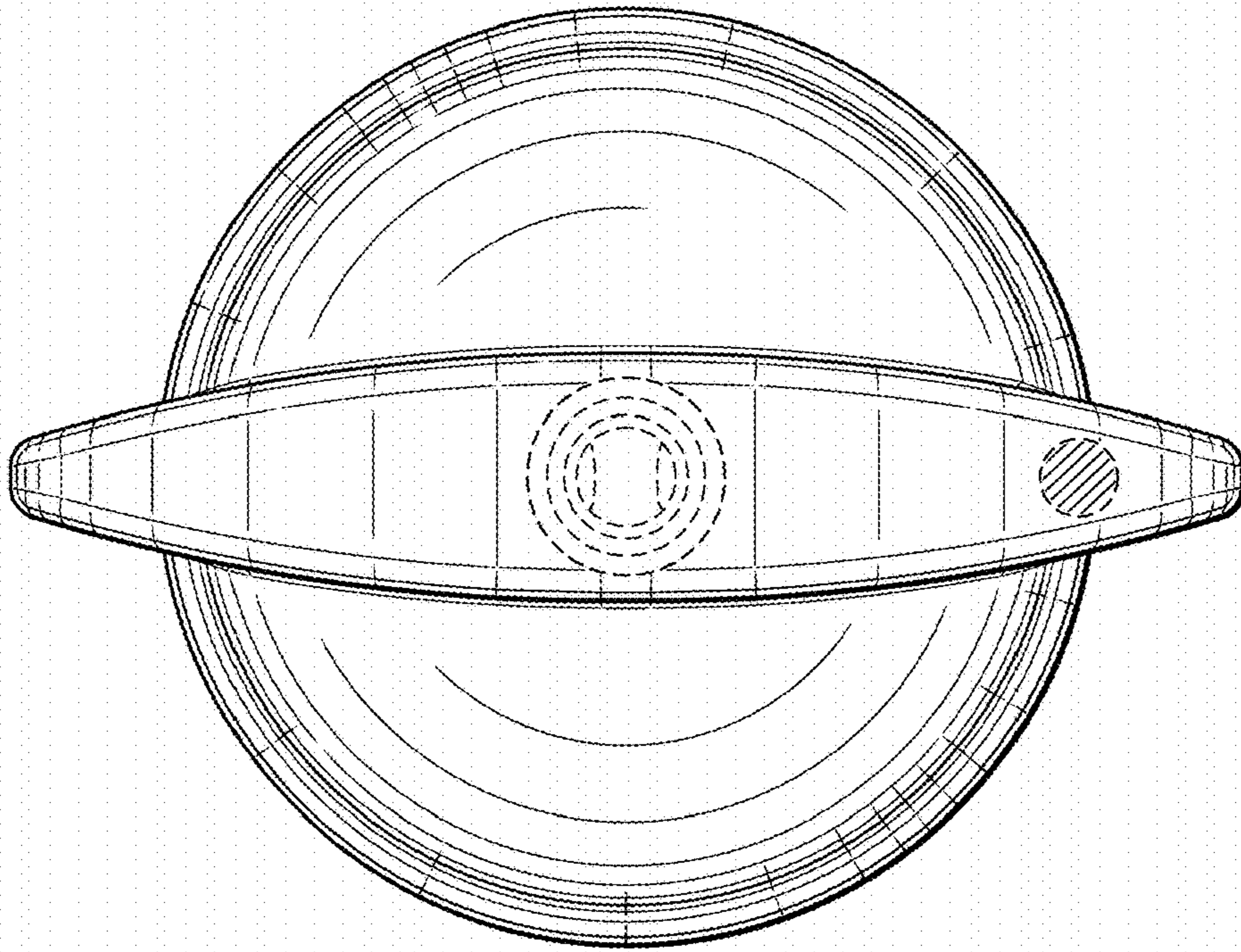


FIG. 4

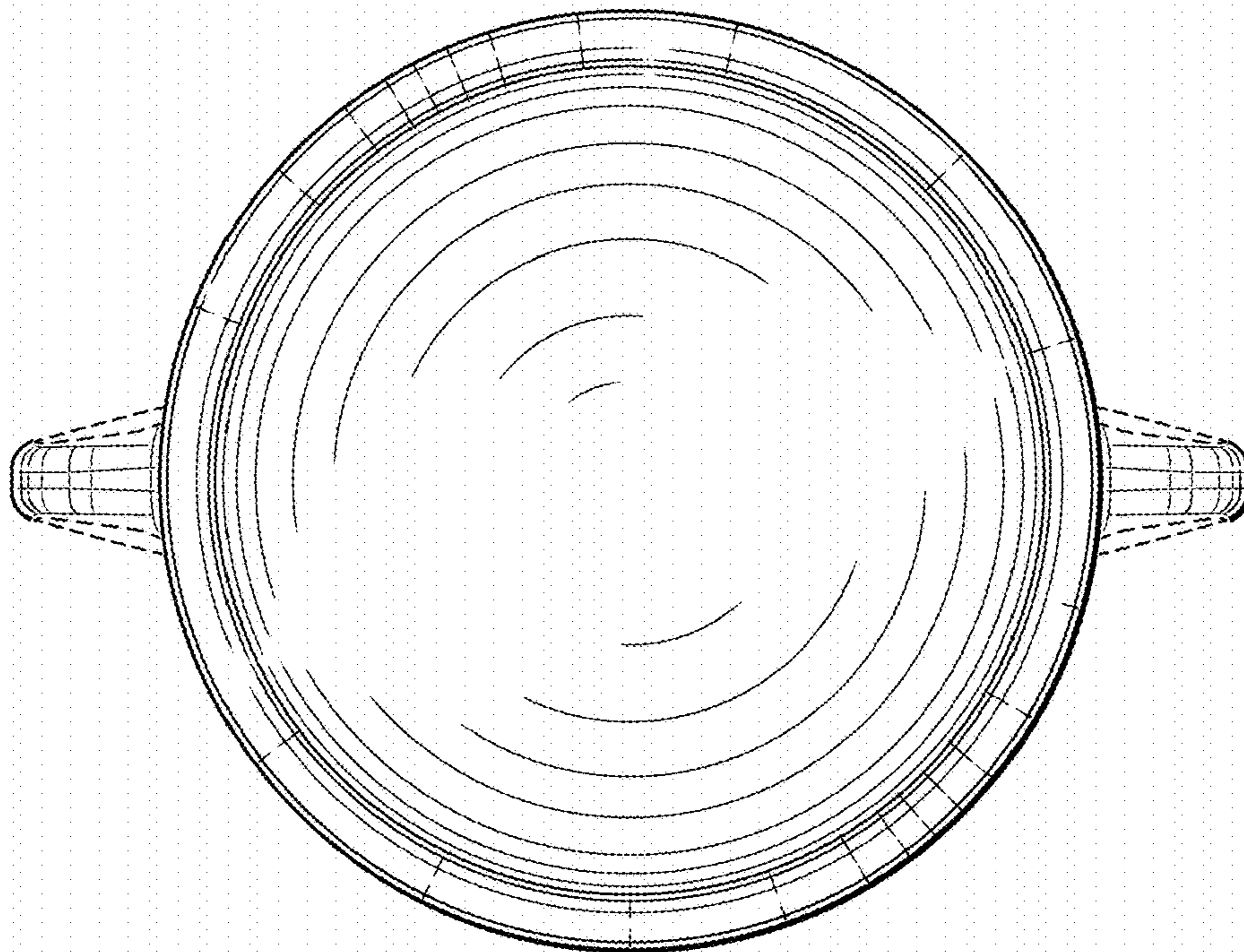


FIG. 5

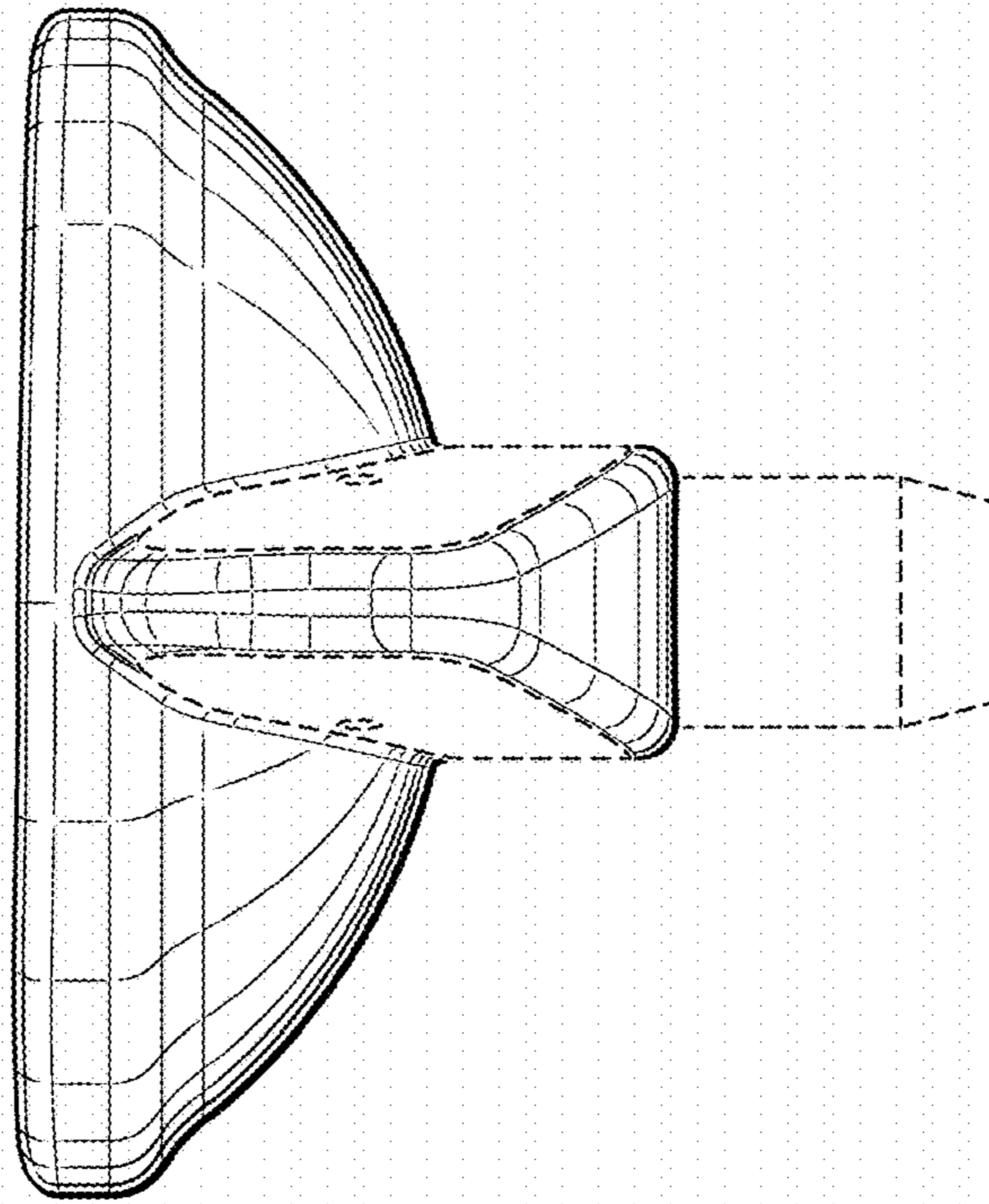


FIG. 6

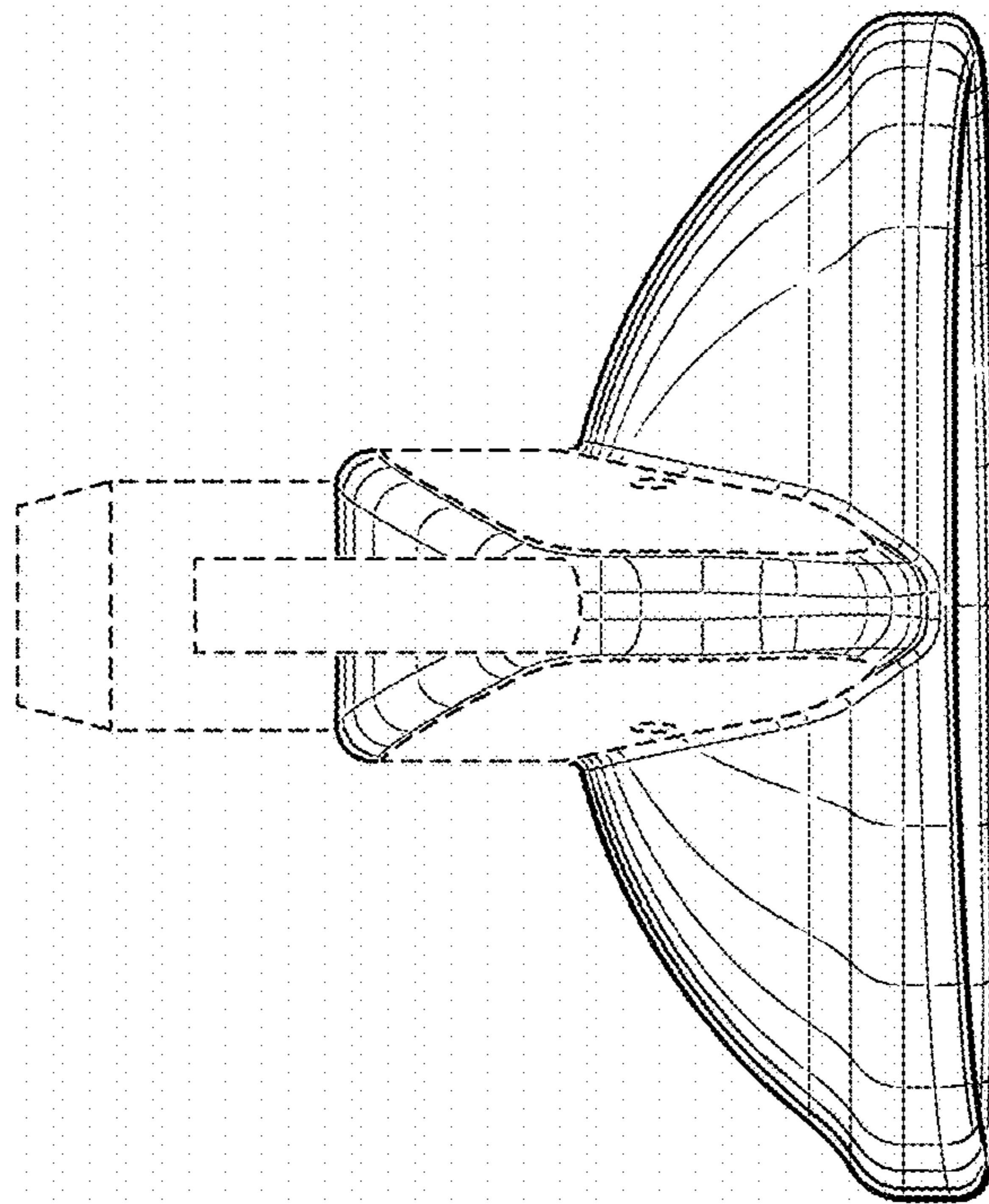


FIG. 7

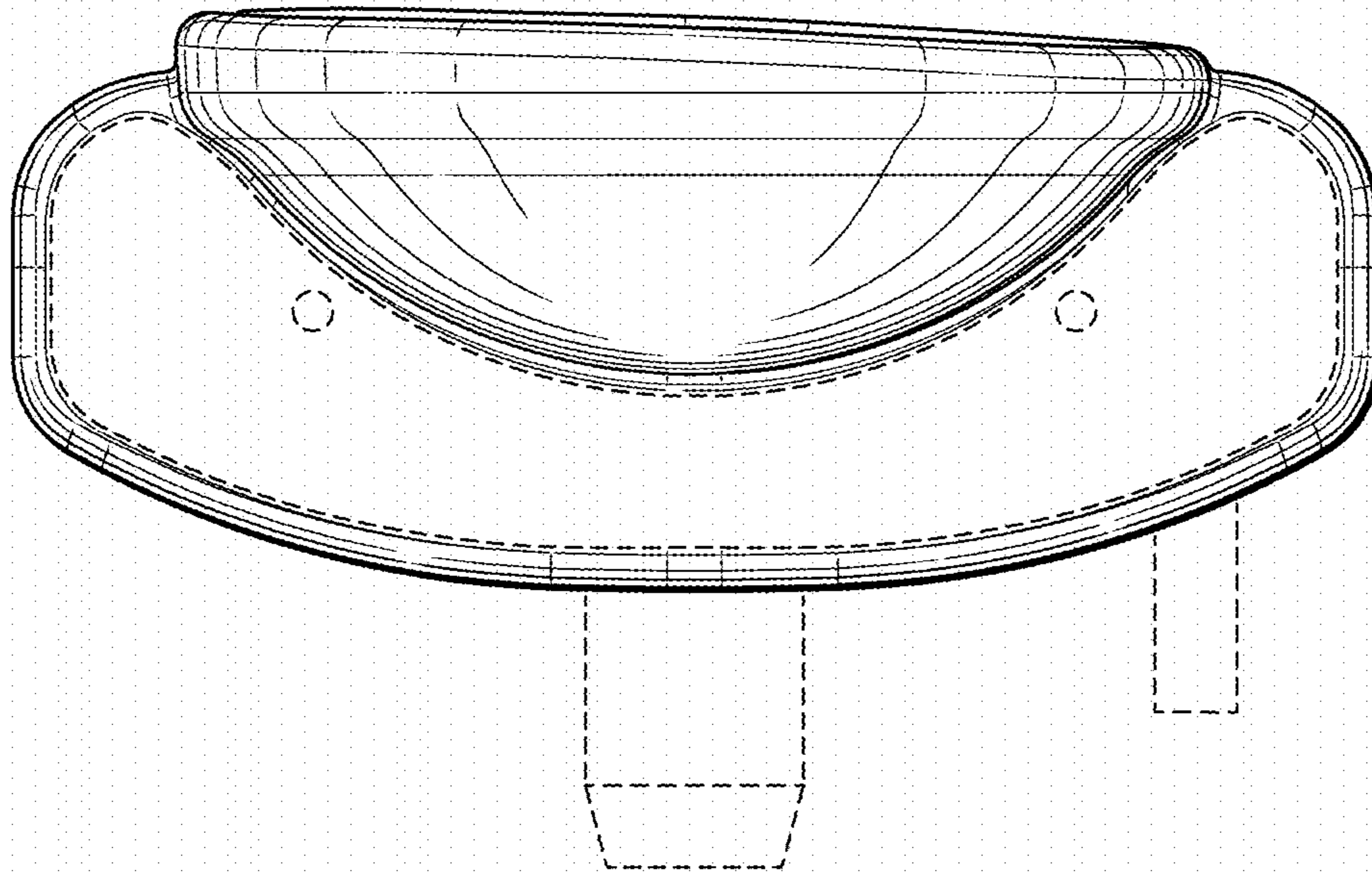


FIG. 8

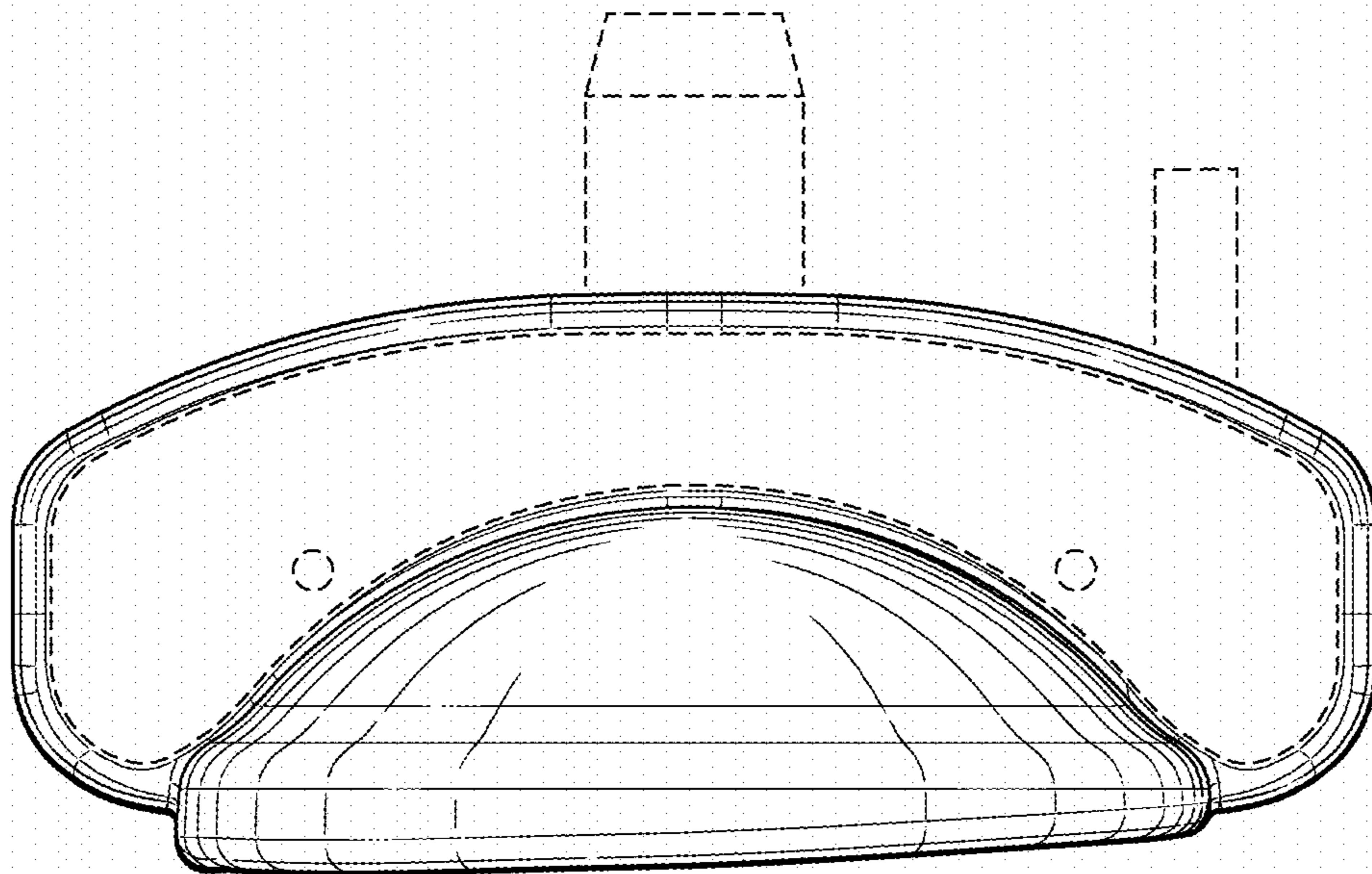


FIG. 9

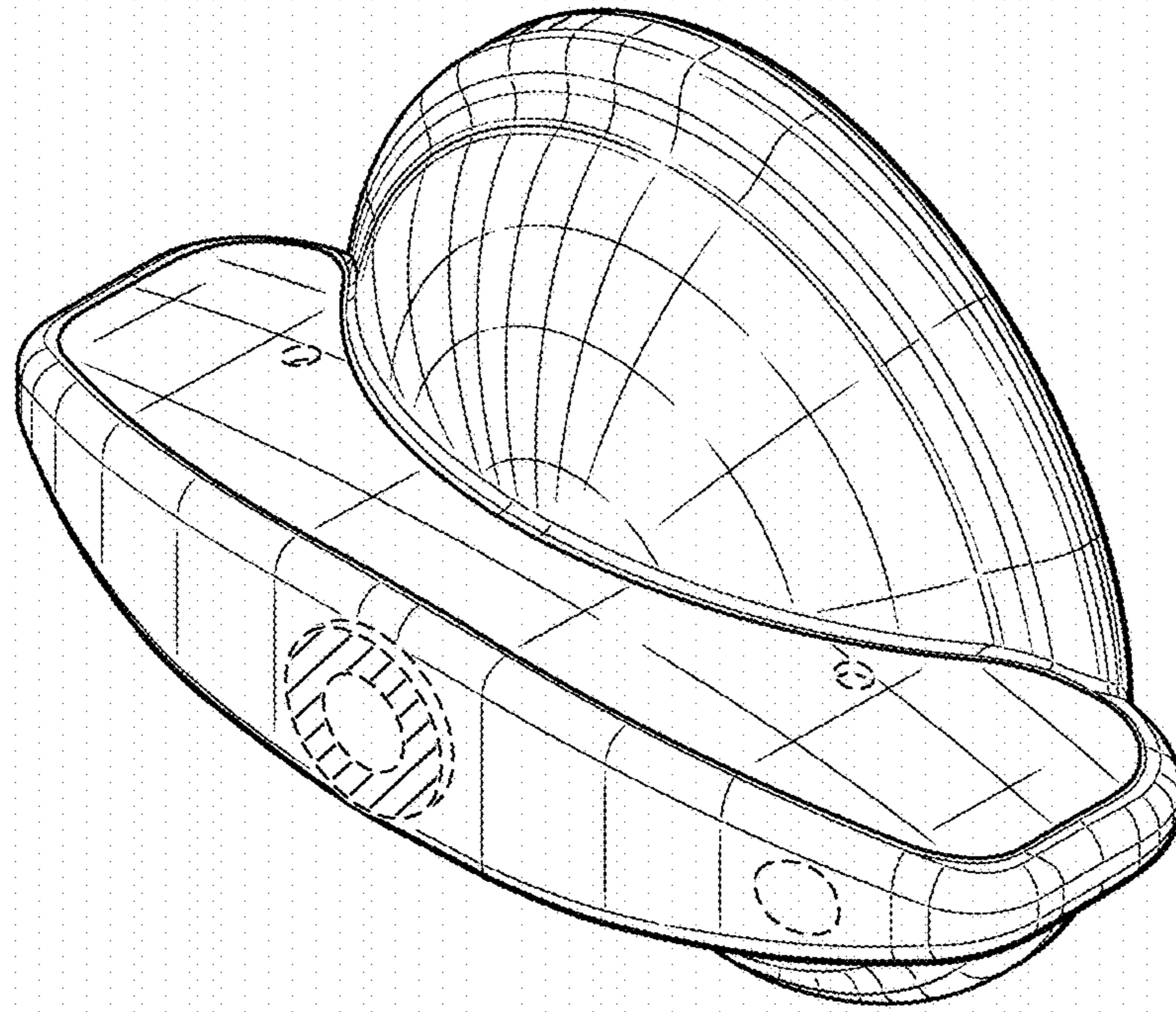


FIG. 10

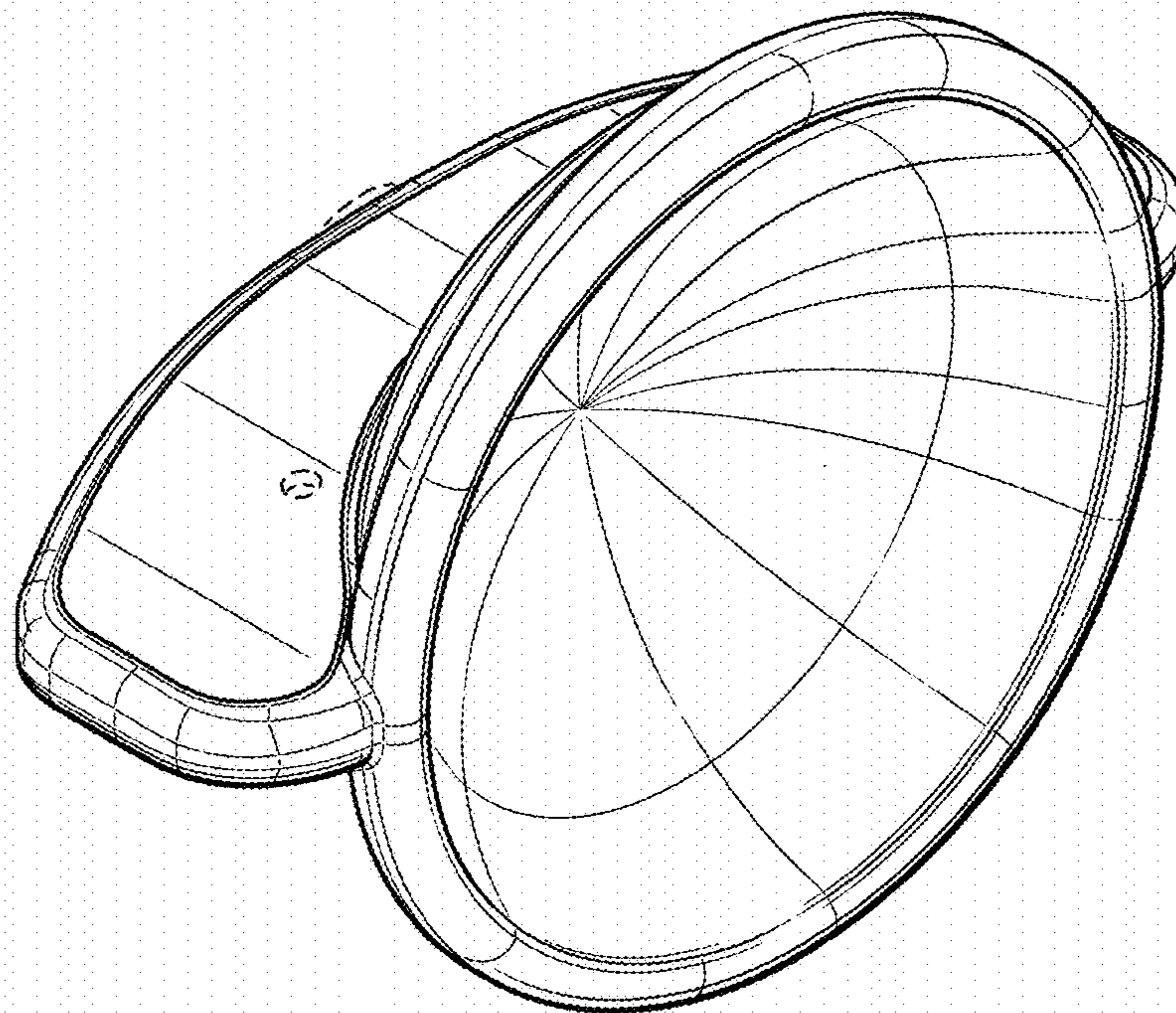


FIG. 11

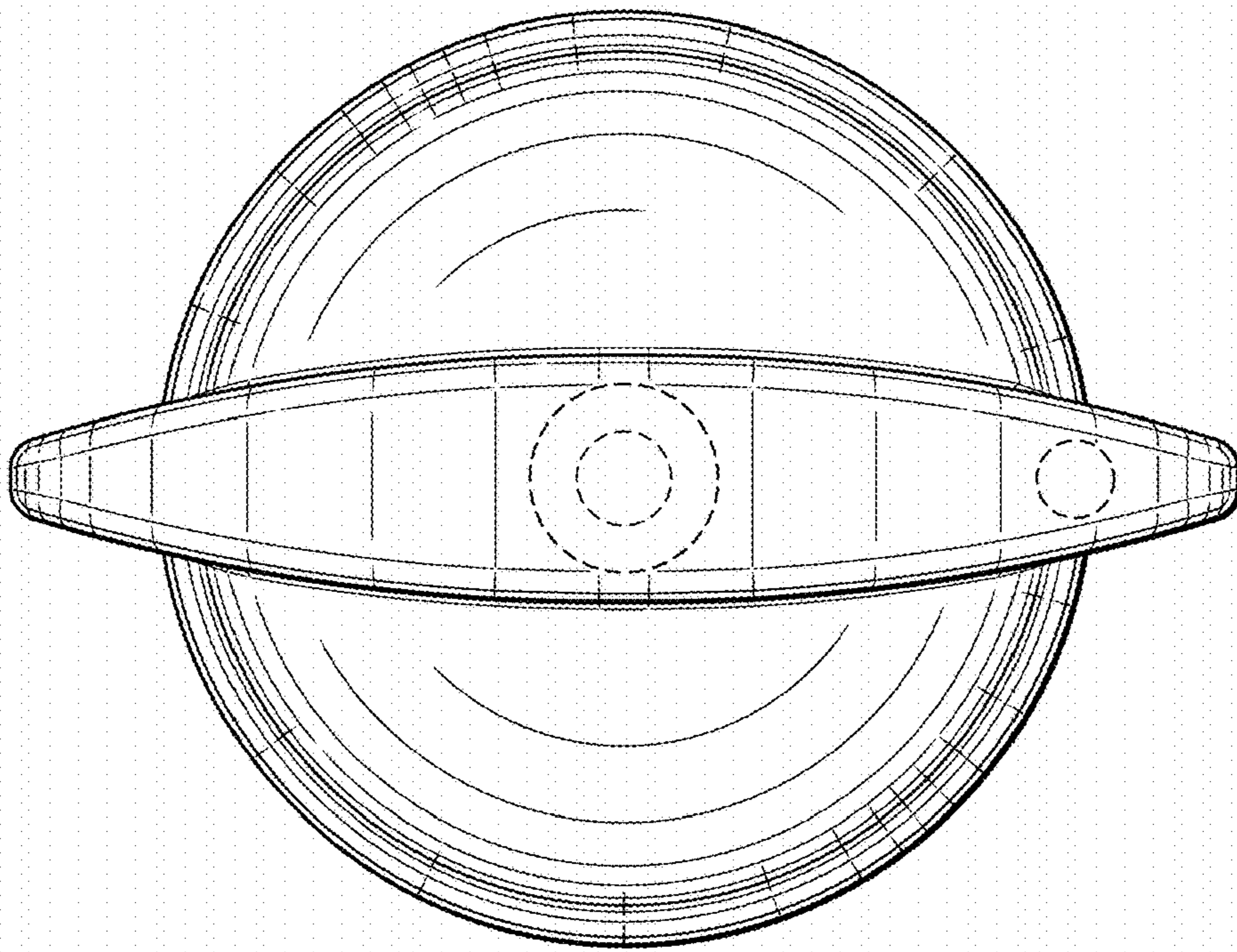


FIG. 12

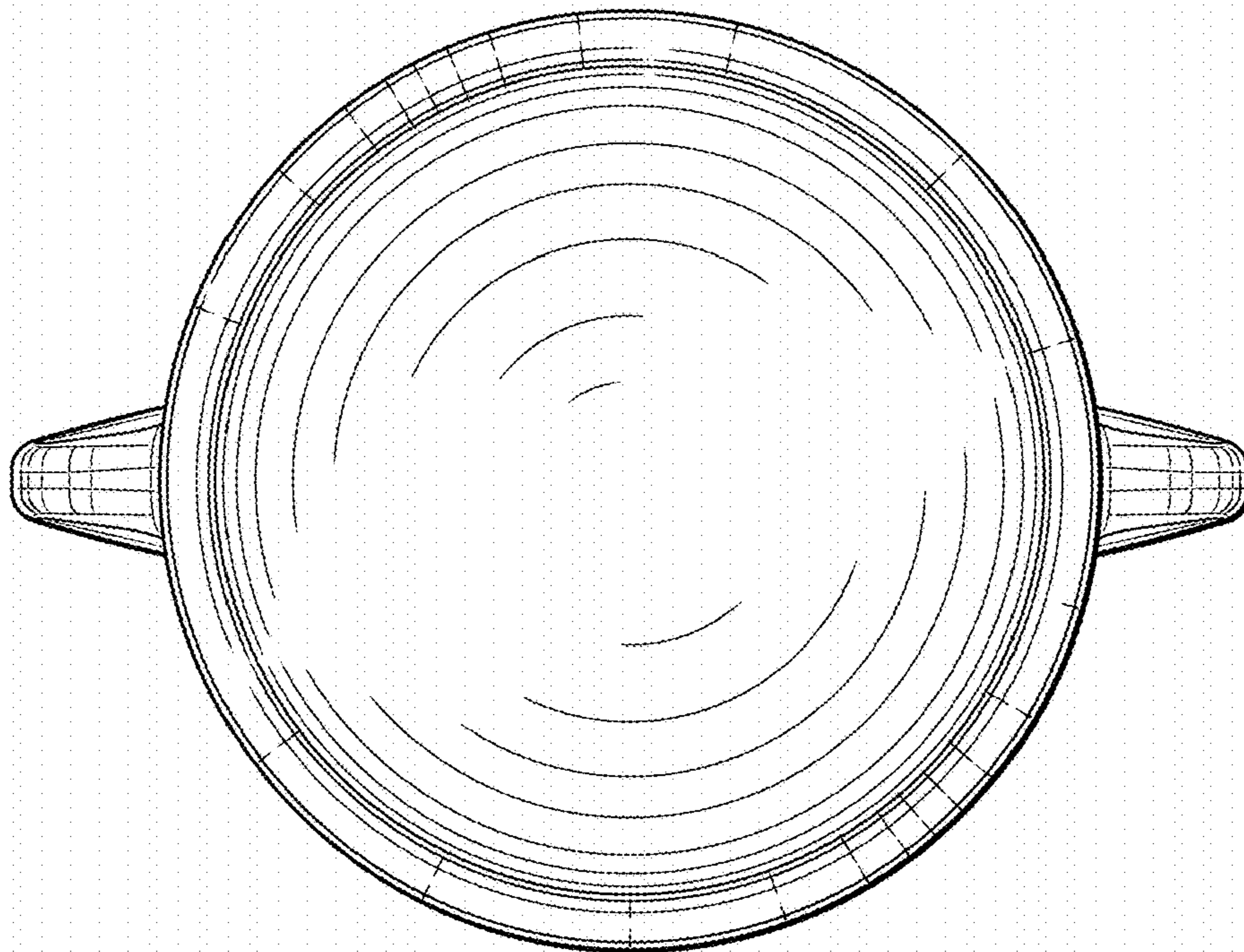


FIG. 13

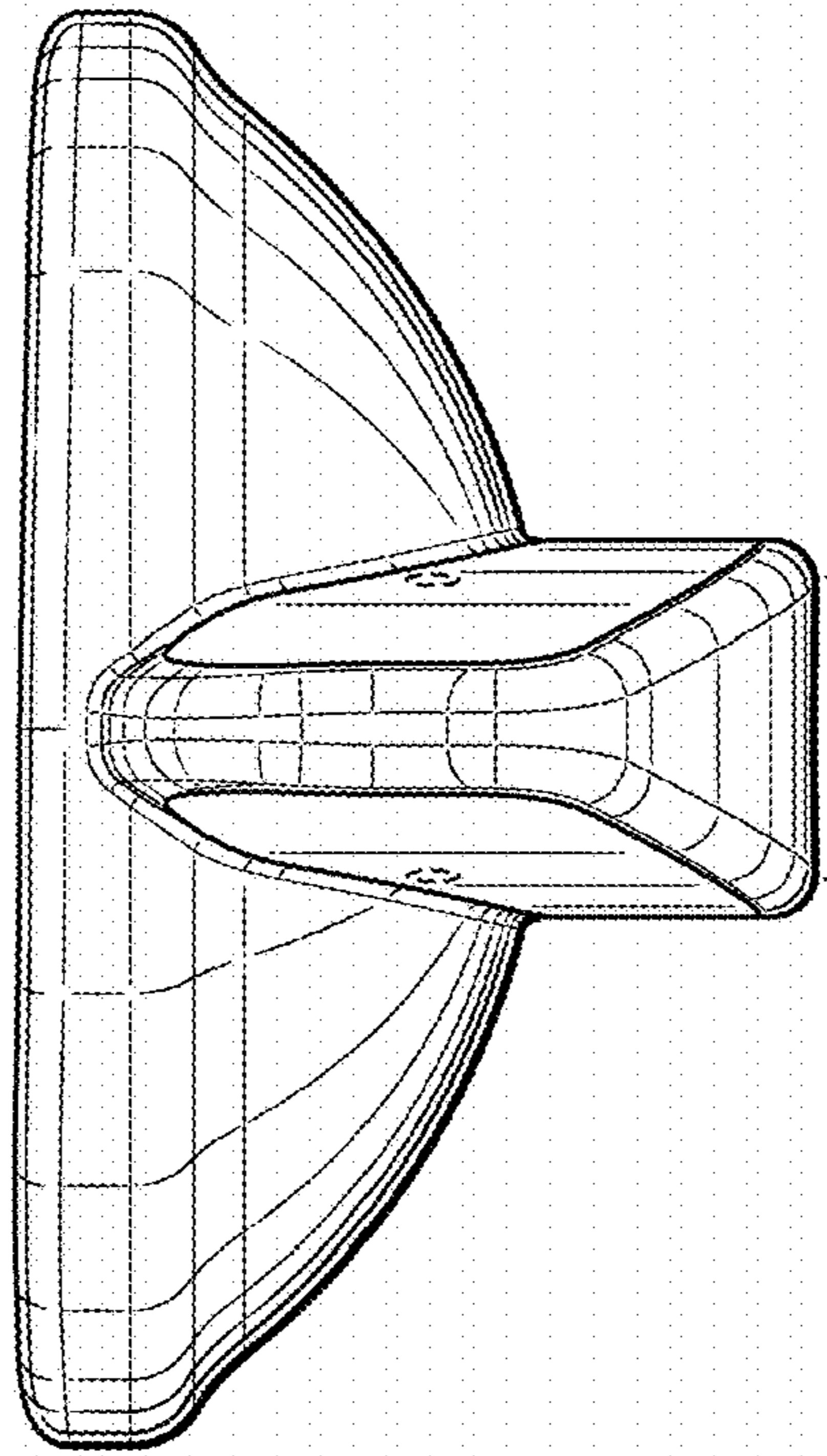


FIG. 14

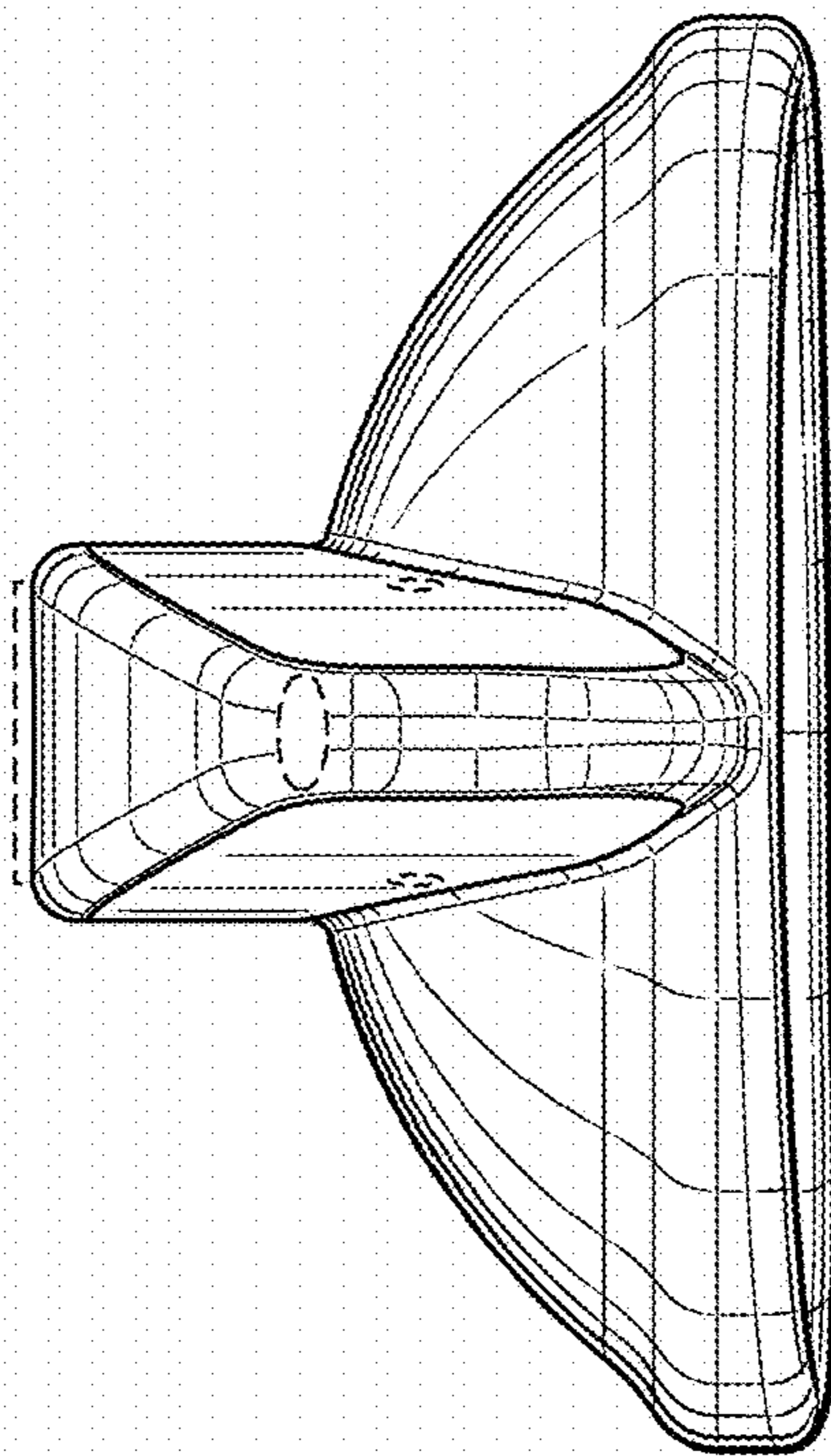


FIG. 15

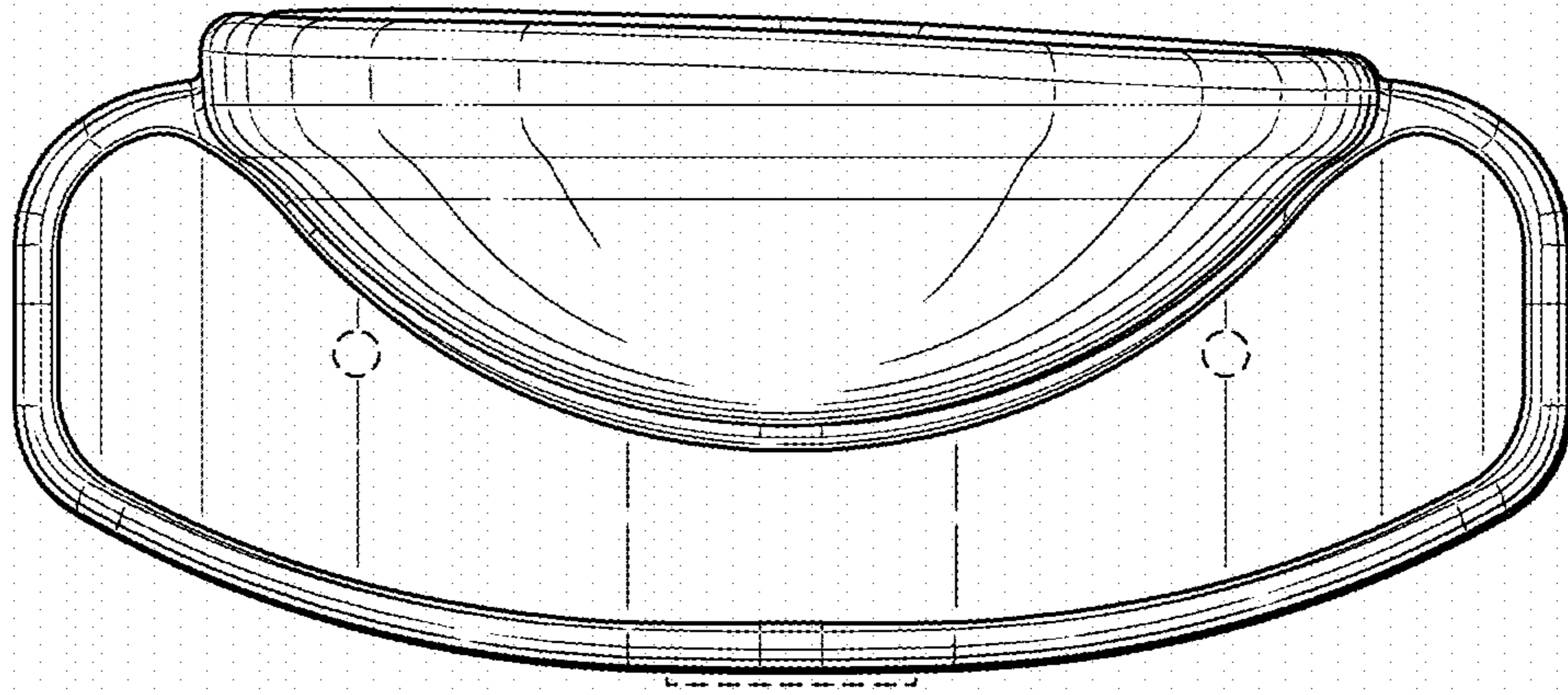


FIG. 16

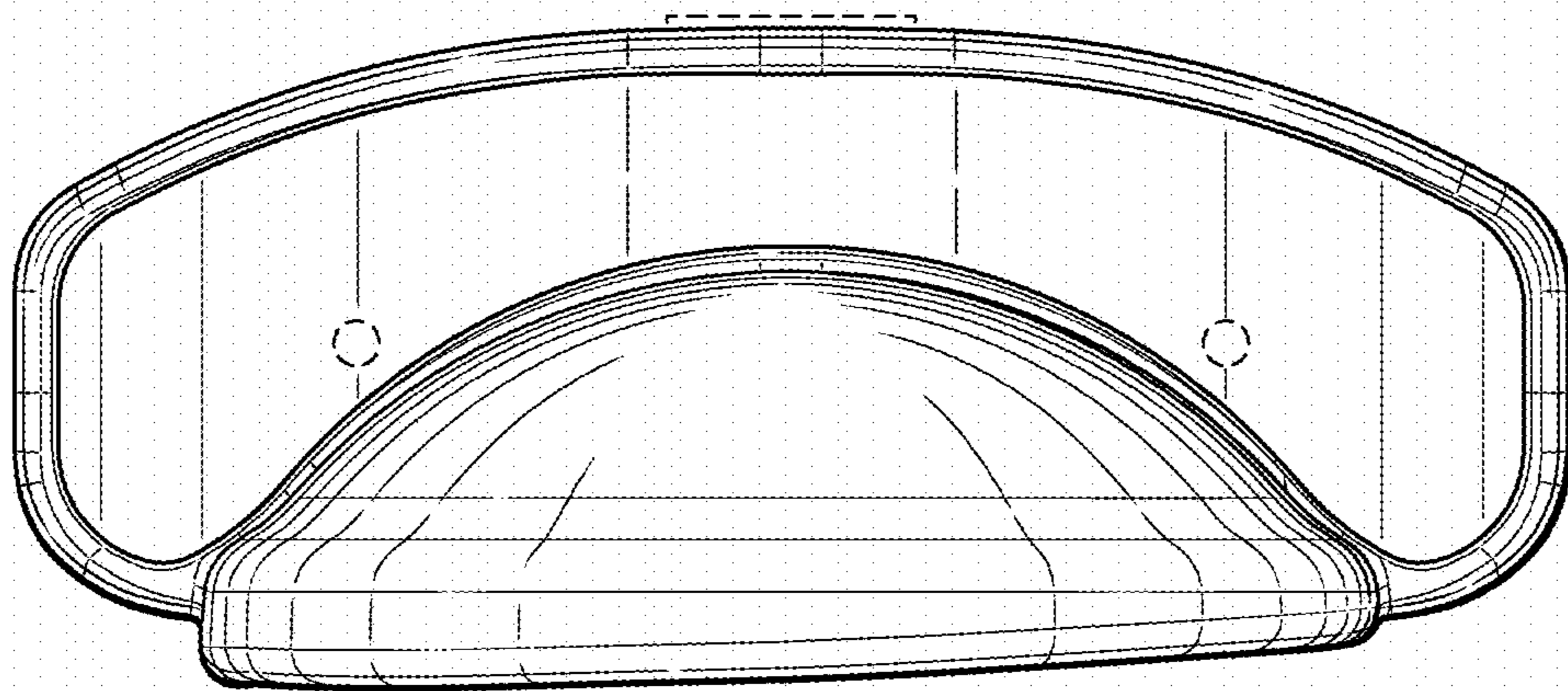


FIG. 17