



US00D954949S

(12) **United States Design Patent**
White et al.

(10) **Patent No.:** **US D954,949 S**
(45) **Date of Patent:** **** Jun. 14, 2022**

(54) **RETAINER FOR SURGICAL STAPLE
CARTRIDGE**

(71) Applicant: **Ethicon LLC**, Guaynabo, PR (US)

(72) Inventors: **William J. White**, West Chester, OH (US); **Caleb P. McGowen**, Hamilton, OH (US); **Carol J. Wynn**, Kings Mills, OH (US); **Jason D. Jones**, Cincinnati, OH (US); **Brian D. Schings**, Cincinnati, OH (US)

(73) Assignee: **Cilag GmbH International**, Zug (CH)

(**) Term: **15 Years**

(21) Appl. No.: **29/701,296**

(22) Filed: **Aug. 9, 2019**

(51) **LOC (13) Cl.** **24-02**

(52) **U.S. Cl.**
USPC **D24/145**

(58) **Field of Classification Search**
USPC D24/145
(Continued)

(56) **References Cited**

U.S. PATENT DOCUMENTS

7,055,730 B2 6/2006 Ehrenfels et al.
7,140,527 B2 11/2006 Ehrenfels et al.

(Continued)

FOREIGN PATENT DOCUMENTS

EM 006222592-0001 5/2019
EM 006222592-0002 5/2019

(Continued)

OTHER PUBLICATIONS

Japanese Office Action, Notification, dated Feb. 16, 2021 for Design Application No. JP 2020-002367, 1 pg.

(Continued)

Primary Examiner — Wan Laymon

(74) *Attorney, Agent, or Firm* — Frost Brown Todd LLC

(57) **CLAIM**

The ornamental design for a retainer for surgical staple cartridge, as shown and described.

DESCRIPTION

FIG. 1 is a perspective top view of a retainer for surgical staple cartridge, showing our new design;

FIG. 2 is a perspective bottom view of the retainer of FIG. 1;

FIG. 3 is a front elevational view of the retainer of FIG. 1;

FIG. 4 is a rear elevational view of the retainer of FIG. 1;

FIG. 5 is a first side elevational view of the retainer of FIG. 1;

FIG. 6 is a second side elevational view of the retainer of FIG. 1;

FIG. 7 is a top plan view of the retainer of FIG. 1;

FIG. 8 is a bottom plan view of the retainer of FIG. 1;

FIG. 9 is a top perspective view of another embodiment of a retainer for surgical staple cartridge, showing our new design;

FIG. 10 is a perspective bottom view of the retainer of FIG. 9;

FIG. 11 is a front elevational view of the retainer of FIG. 9;

FIG. 12 is a rear elevational view of the retainer of FIG. 9;

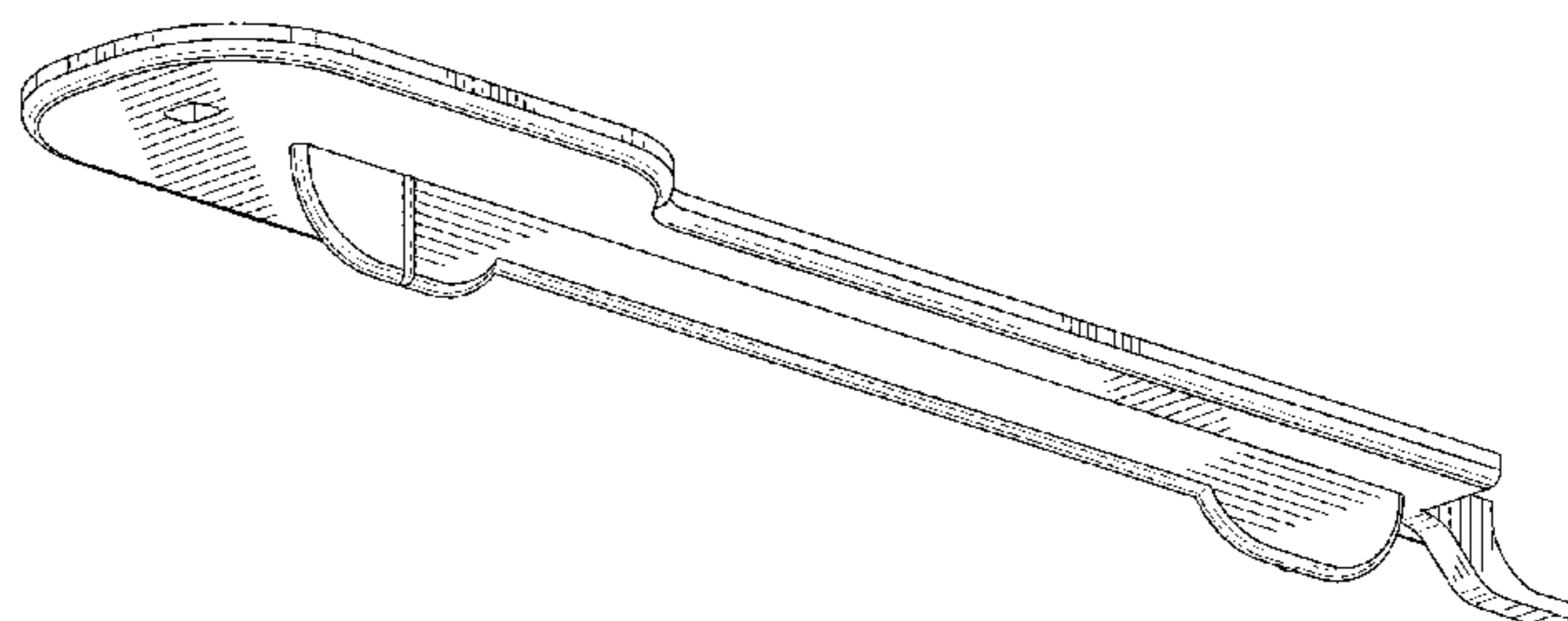
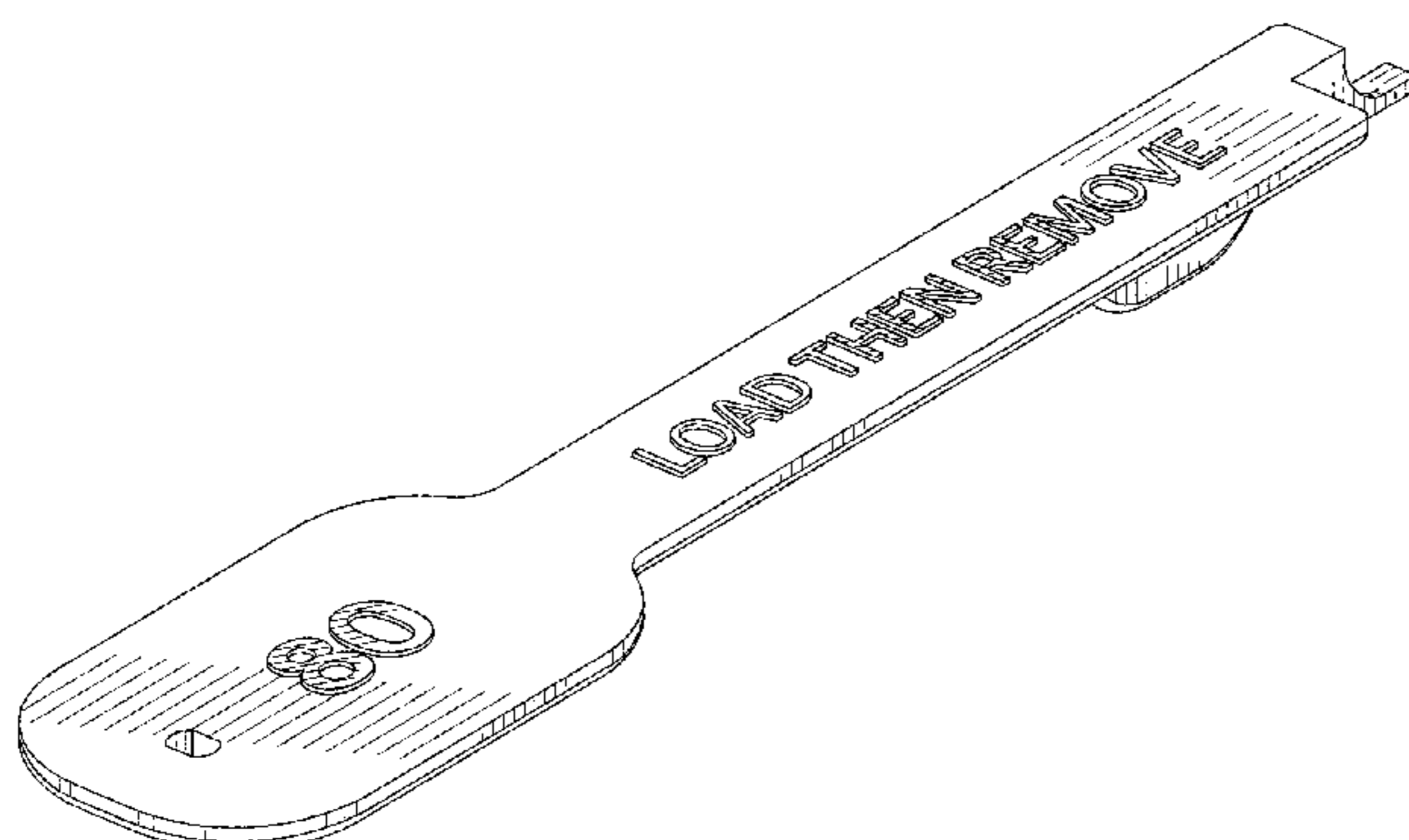
FIG. 13 is a first side elevational view of the retainer of FIG. 9;

FIG. 14 is a second side elevational view of the retainer of FIG. 9;

FIG. 15 is a top plan view of the retainer of FIG. 9; and,

FIG. 16 is a bottom plan view of the retainer of FIG. 9.

1 Claim, 10 Drawing Sheets



(58) **Field of Classification Search**

CPC A61B 17/07207; A61B 17/068; A61B 17/072; A61B 2017/07278; A61B 2017/07228; A61B 2017/07242

See application file for complete search history.

10,842,485 B2* 11/2020 Hodgkinson A61B 17/07207
 D904,612 S 12/2020 Wynn et al.
 D904,613 S 12/2020 Wynn et al.
 10,959,729 B2* 3/2021 Ehrenfels A61B 17/07207
 2006/0151569 A1* 7/2006 Ehrenfels A61B 17/07207
 227/180.1

(56)

References Cited

U.S. PATENT DOCUMENTS

7,293,685 B2 11/2007 Ehrenfels et al.
 7,334,717 B2* 2/2008 Rethy A61B 17/07207
 227/175.1
 7,419,081 B2 9/2008 Ehrenfels et al.
 7,568,604 B2 8/2009 Ehrenfels et al.
 D605,762 S 12/2009 Nalagatla et al.
 7,631,793 B2 12/2009 Rethy et al.
 7,631,794 B2 12/2009 Rethy et al.
 7,721,933 B2 5/2010 Ehrenfels et al.
 7,942,300 B2 5/2011 Rethy et al.
 8,074,861 B2 12/2011 Ehrenfels et al.
 8,091,754 B2 1/2012 Ehrenfels et al.
 8,371,492 B2* 2/2013 Aranyi A61B 17/07207
 227/176.1
 8,387,848 B2 3/2013 Johnson et al.
 8,561,873 B2* 10/2013 Ingmanson A61B 17/072
 227/176.1
 8,631,989 B2* 1/2014 Aranyi A61B 17/07207
 227/175.1
 8,820,606 B2* 9/2014 Hodgkinson A61B 17/07207
 227/176.1
 8,939,344 B2 1/2015 Olson et al.
 9,010,606 B2 4/2015 Aranyi et al.
 9,192,378 B2 11/2015 Aranyi et al.
 9,192,379 B2 11/2015 Aranyi et al.
 9,572,576 B2* 2/2017 Hodgkinson A61B 17/07207
 9,610,080 B2 4/2017 Whitfield et al.
 9,622,745 B2 4/2017 Ingmanson et al.
 D831,209 S 10/2018 Huitema et al.
 10,293,553 B2 5/2019 Racenet et al.
 10,485,540 B2 11/2019 Hodgkinson et al.
 10,576,298 B2* 3/2020 Racenet A61B 17/068
 10,631,866 B2 4/2020 Laurent et al.
 10,682,140 B2* 6/2020 Ingmanson A61B 17/068
 10,722,234 B2* 7/2020 Hodgkinson A61B 17/07207

2007/0119901 A1 5/2007 Ehrenfels et al.
 2014/0130330 A1* 5/2014 Olson A61B 17/07207
 29/428

2016/0106426 A1 4/2016 Shelton, IV et al.
 2016/0106427 A1 4/2016 Shelton, IV et al.
 2019/0105047 A1 4/2019 Nalagatla et al.
 2019/0239882 A1 8/2019 McLain et al.
 2019/0239883 A1 8/2019 Baxter, III et al.
 2019/0239885 A1 8/2019 Stokes et al.
 2019/0239886 A1 8/2019 Jones et al.
 2020/0046350 A1 2/2020 Deck et al.
 2020/0046351 A1 2/2020 Jones et al.
 2020/0046353 A1 2/2020 Deck et al.
 2020/0113561 A1 4/2020 Schings et al.
 2020/0113562 A1 4/2020 Schings et al.
 2021/0038223 A1 2/2021 Schings et al.

FOREIGN PATENT DOCUMENTS

EM 006222592-0004 5/2019
 EM 006222618-0001 8/2019
 EM 006222618-0002 8/2019
 EM 006222618-0004 8/2019
 EM 006222618-0005 8/2019
 GB 6054266 1/2010
 GB 6054268 1/2019
 GB 6054265 2/2019
 GB 6054270 2/2019
 GB 6054271 2/2019
 GB 6054273 2/2019
 IN 214265-0001 1/2010
 IN 314192-004-0001 6/2020
 JP D 1617164 S 10/2018

OTHER PUBLICATIONS

Japanese Office Action, Notification, dated Feb. 16, 2021 for Design Application No. JP 2020-014315, 1 pg.

* cited by examiner

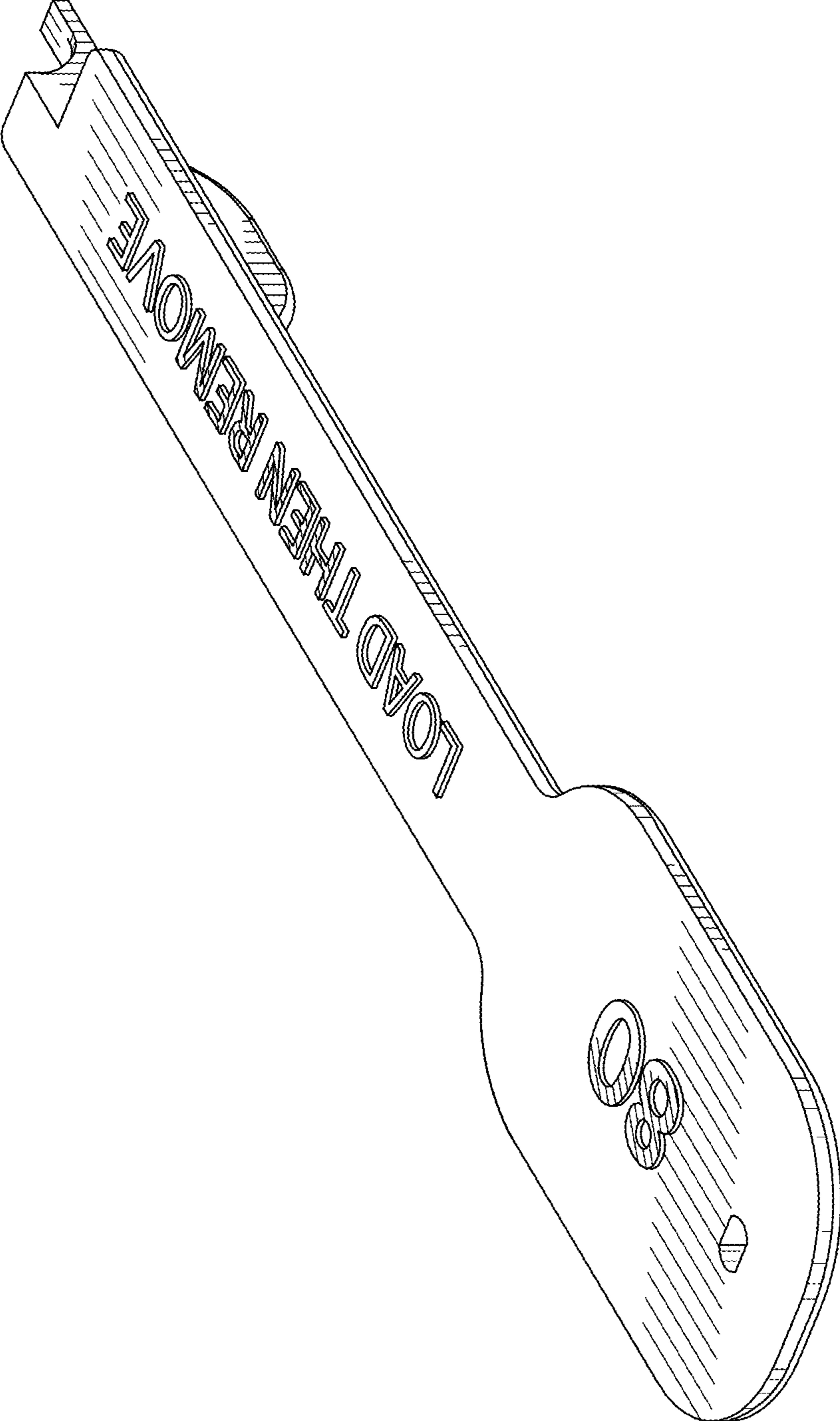


Fig. 1

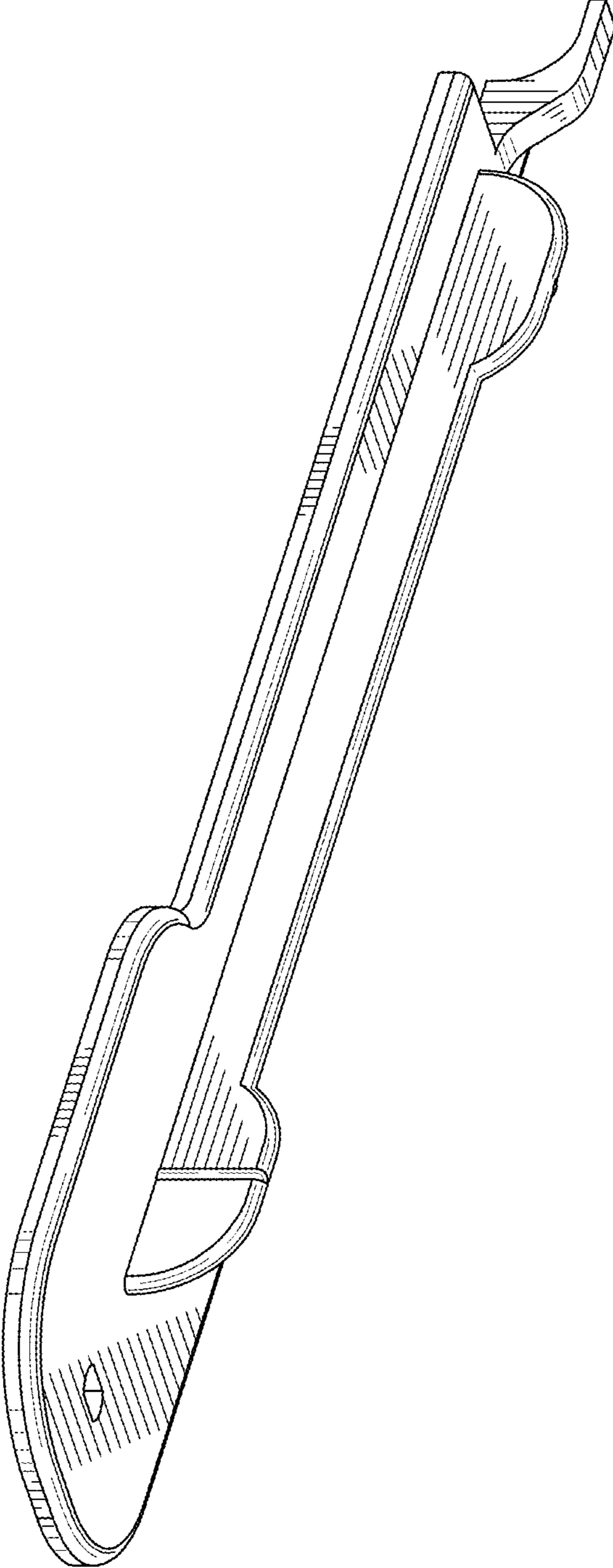


Fig. 2

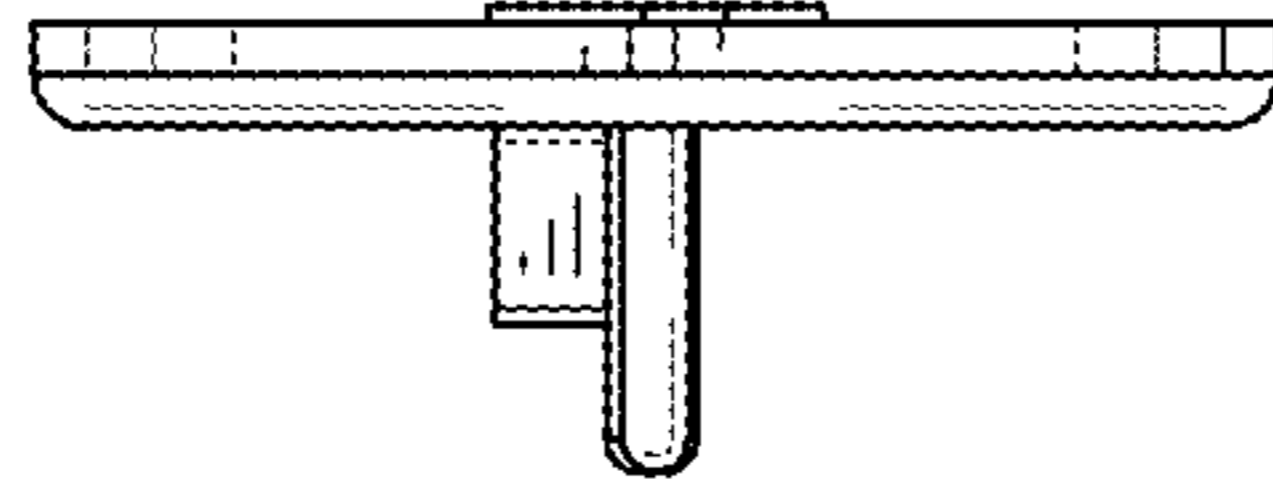


Fig. 3

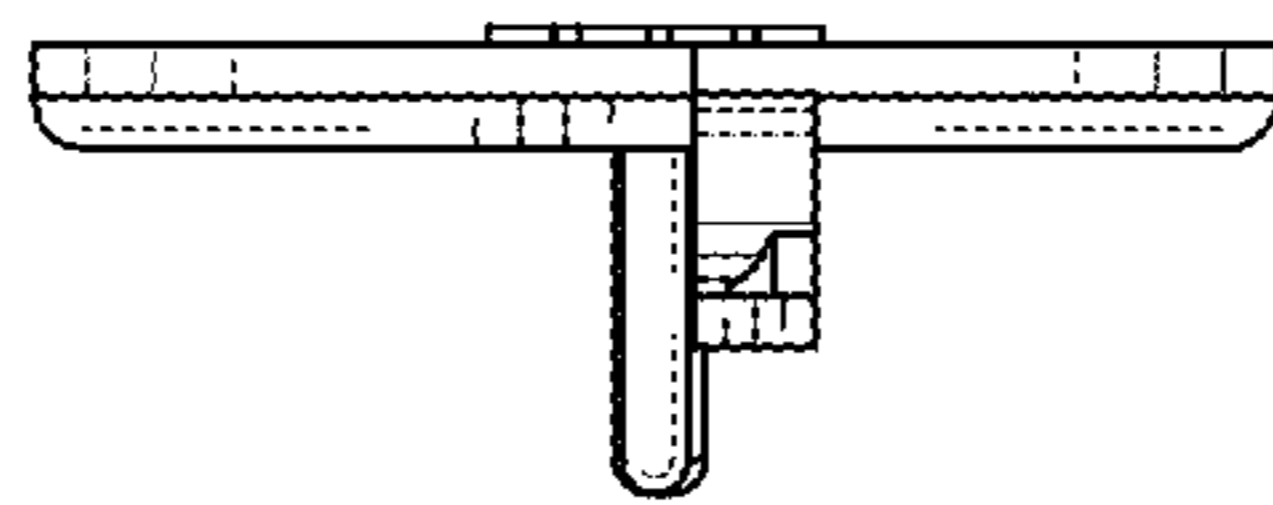


Fig. 4

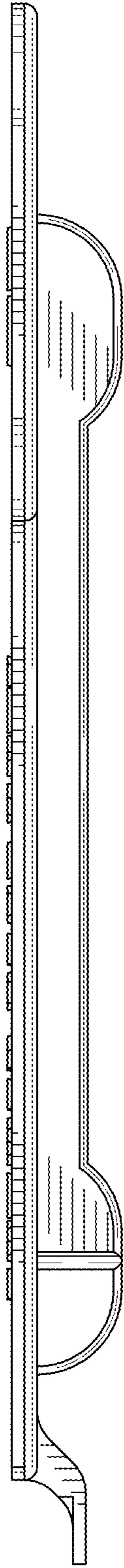


Fig. 5

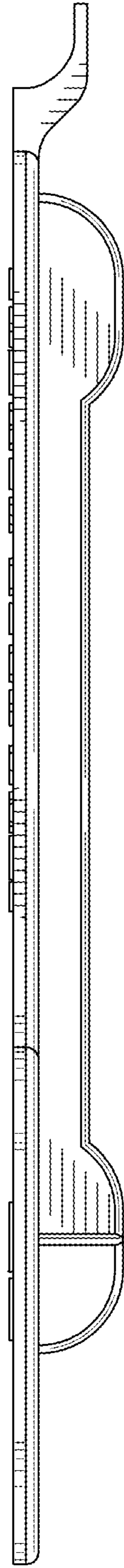


Fig. 6

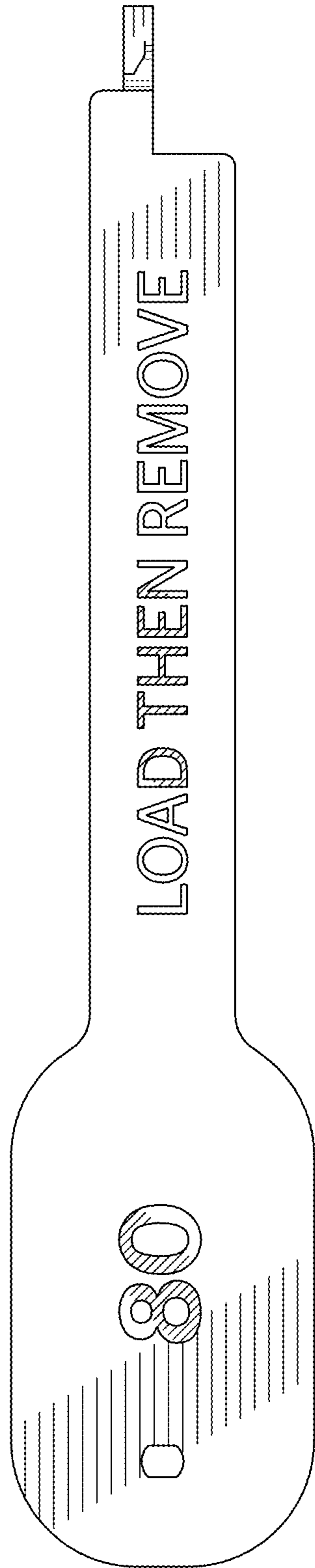


Fig. 7

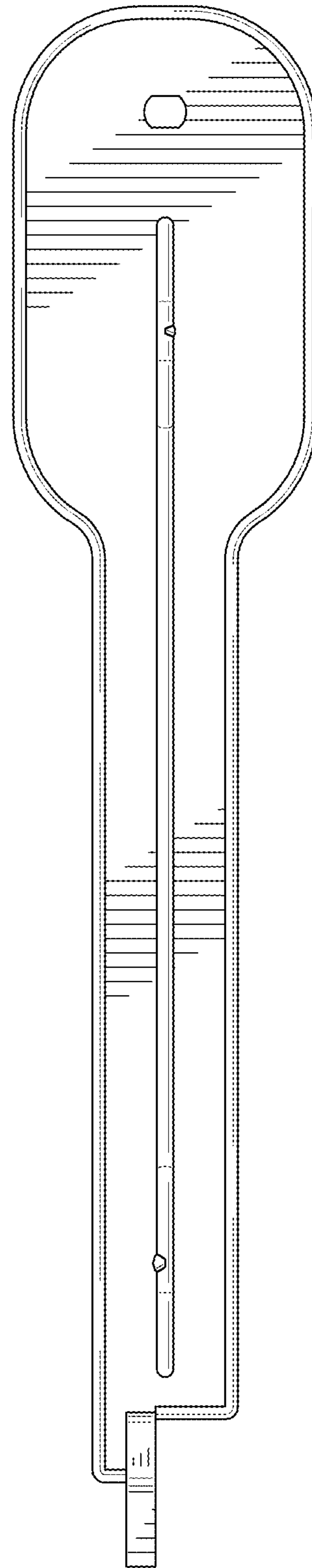


Fig. 8

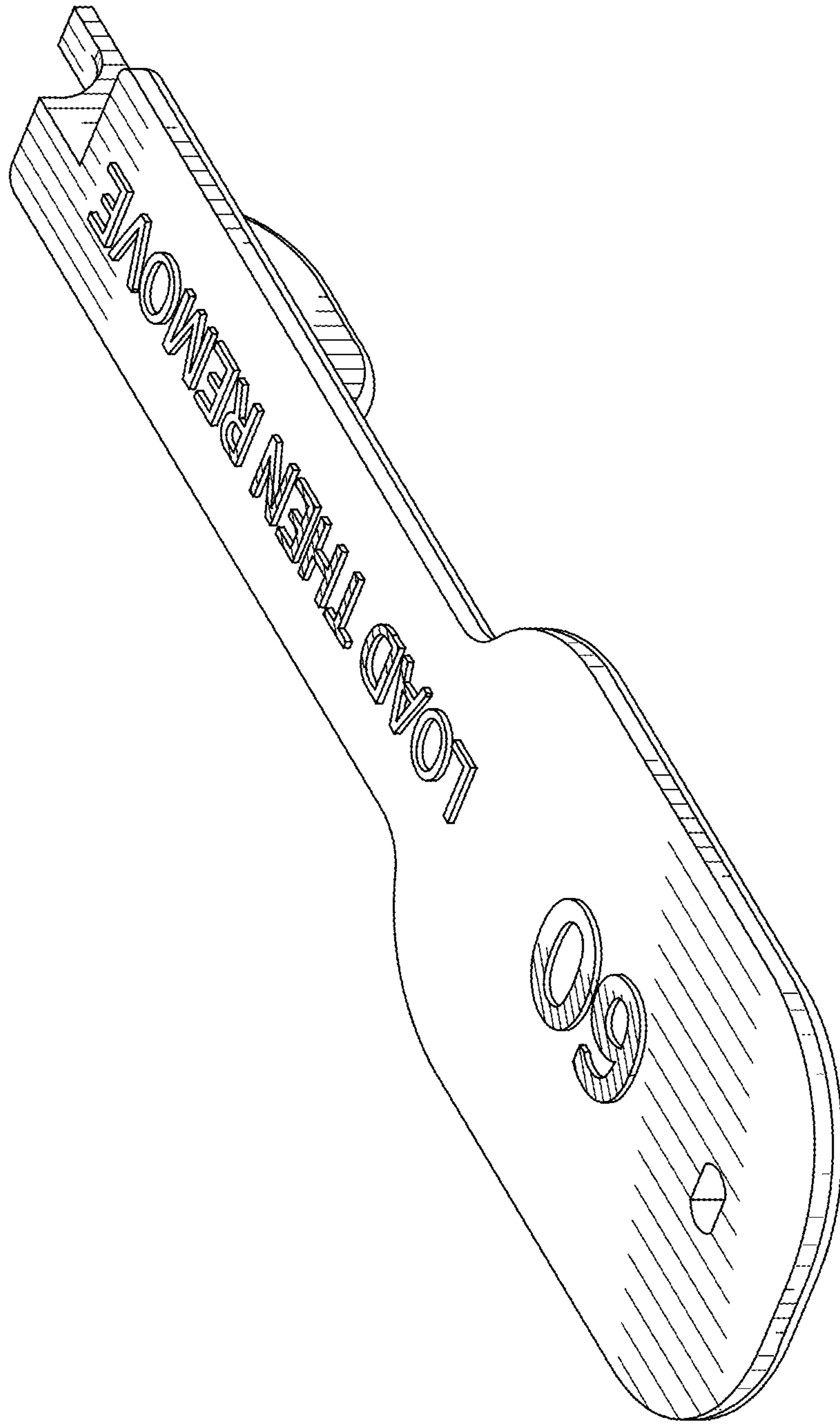


Fig. 9

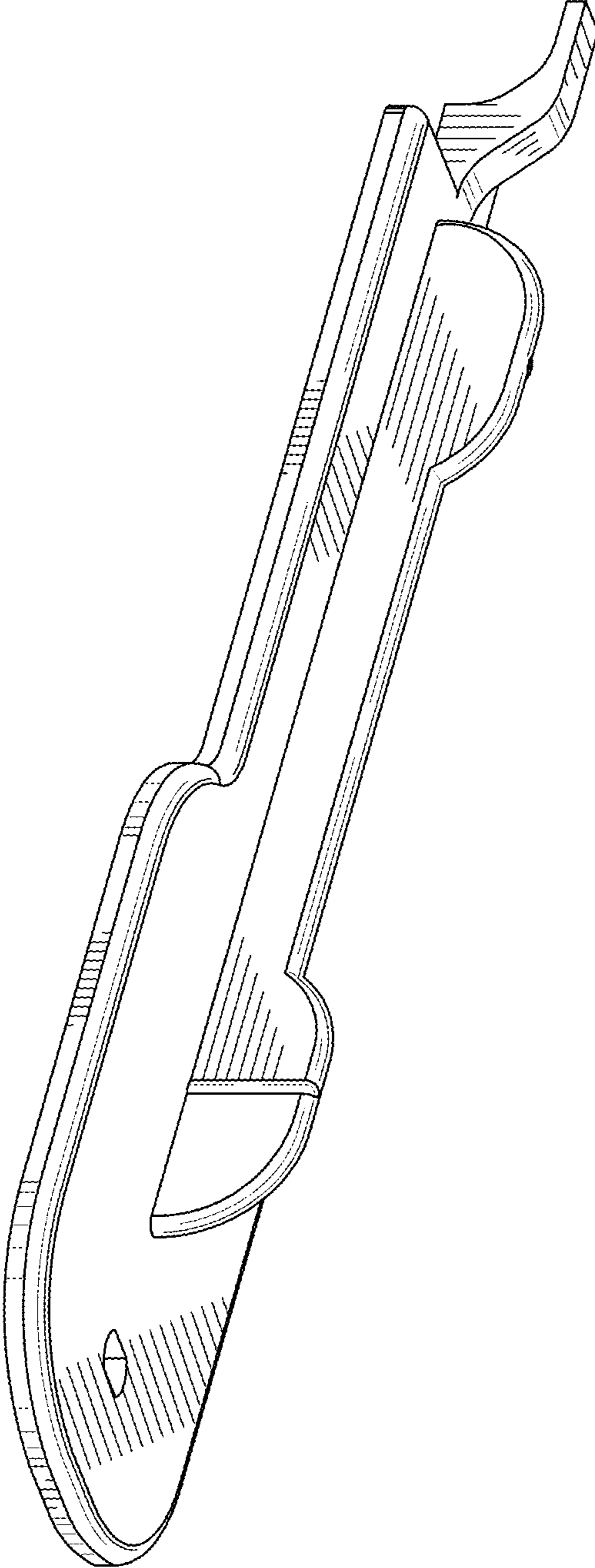


Fig. 10

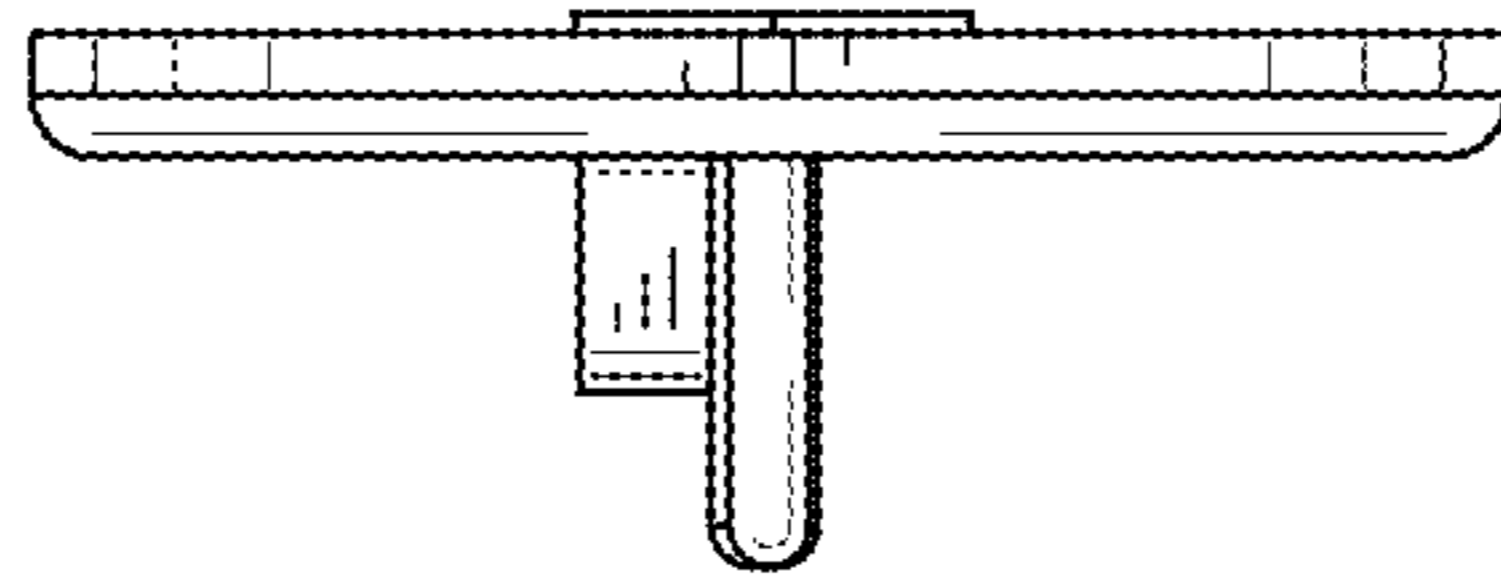


Fig. 11

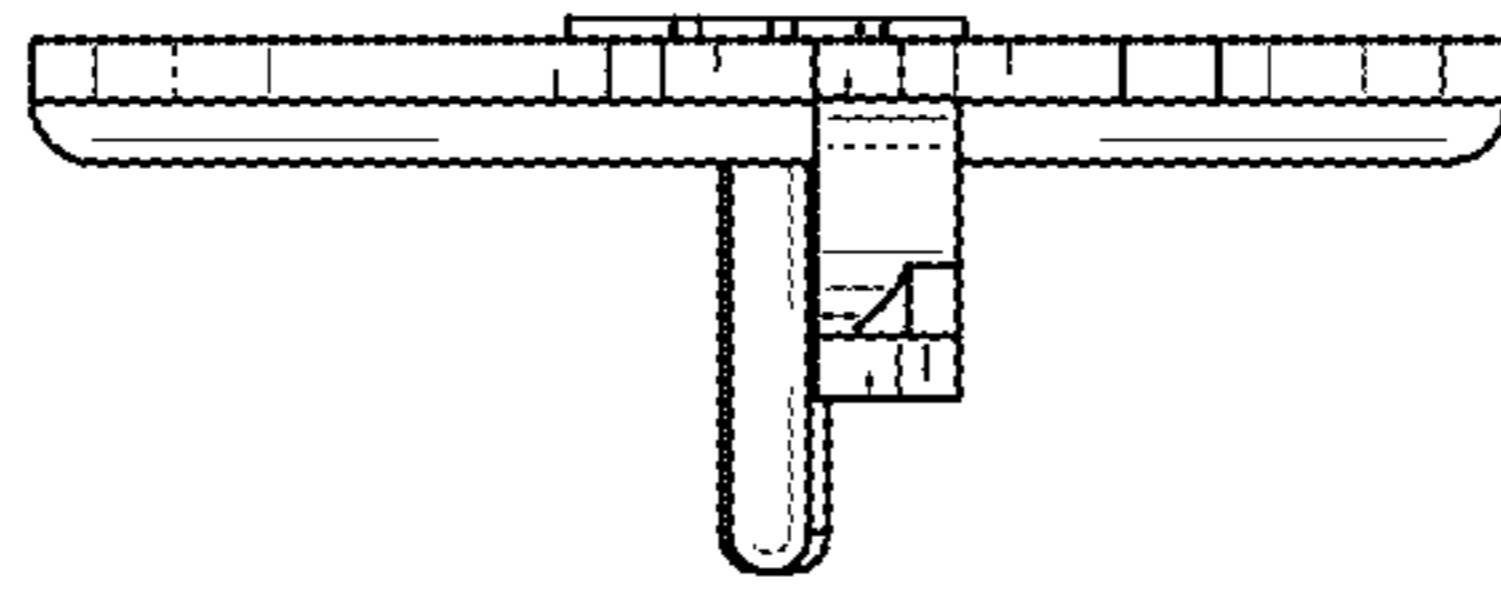


Fig. 12

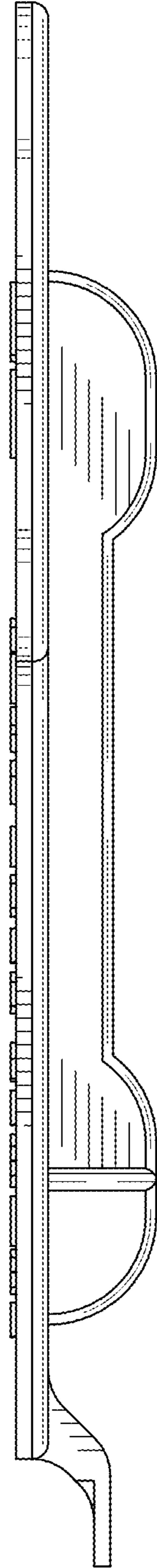


Fig. 13

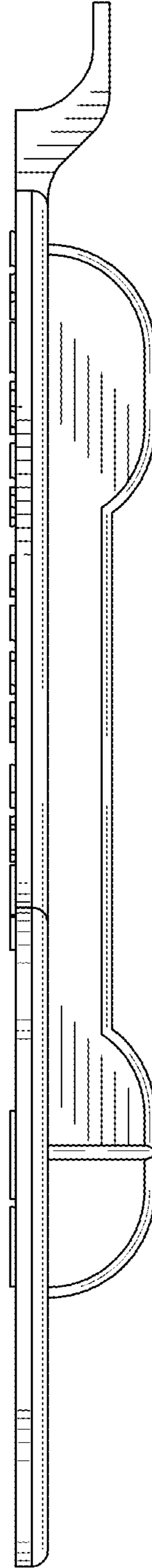


Fig. 14

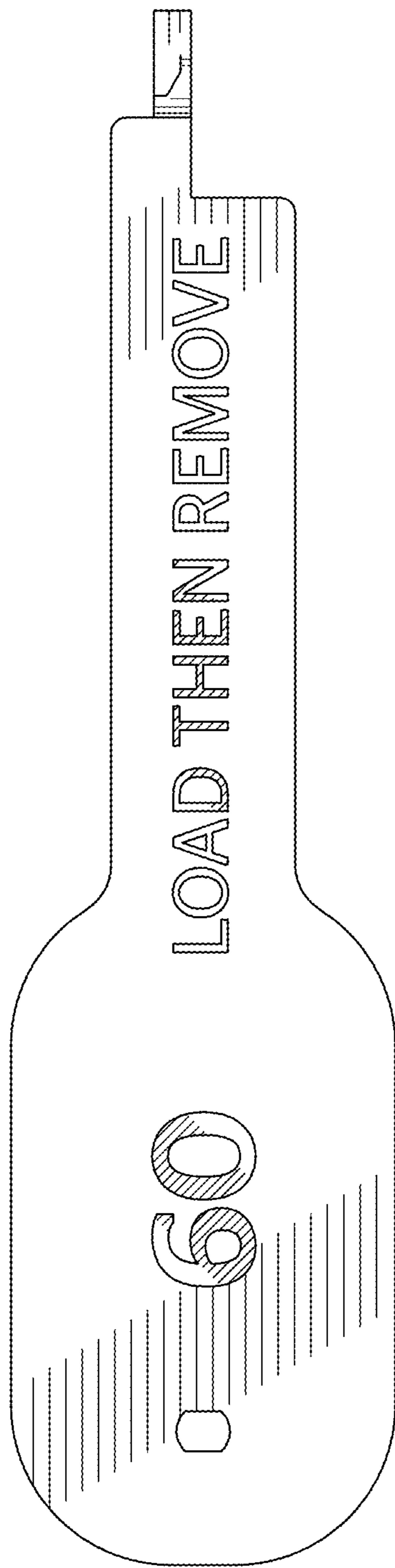


Fig. 15

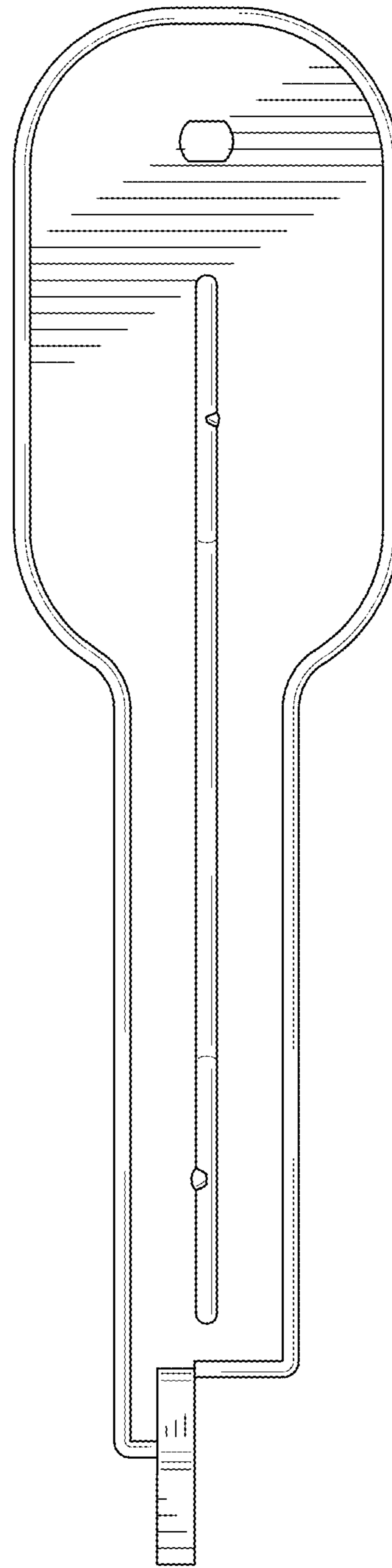


Fig. 16