



US00D954947S

(12) **United States Design Patent**
Ono

(10) **Patent No.:** **US D954,947 S**
(45) **Date of Patent:** **** Jun. 14, 2022**

(54) **OPERATING GRIP FOR ENDOSCOPE**

(71) Applicant: **FUJIFILM Corporation**, Tokyo (JP)

(72) Inventor: **Hirotohi Ono**, Kanagawa (JP)

(73) Assignee: **FUJIFILM Corporation**, Tokyo (JP)

(**) Term: **15 Years**

(21) Appl. No.: **29/764,352**

(22) Filed: **Dec. 29, 2020**

(30) **Foreign Application Priority Data**

Jun. 30, 2020 (JP) 2020-013306 D

(51) **LOC (13) Cl.** **24-02**

(52) **U.S. Cl.**
USPC **D24/138**

(58) **Field of Classification Search**

USPC D24/138, 137, 127, 113, 108, 133

CPC A61M 25/00; A61M 39/00; A61M 27/00;
A61M 25/0043; A61M 25/0067; A61M
25/0097; A61F 2/958; A61B 1/00126

See application file for complete search history.

(56) **References Cited**

U.S. PATENT DOCUMENTS

| | | | | |
|--------------|---------|----------|-------|---------|
| D481,124 S * | 10/2003 | Hayamizu | | D24/138 |
| D535,393 S * | 1/2007 | Pilvisto | | D16/202 |
| D753,298 S * | 4/2016 | Hayamizu | | D24/138 |
| D753,823 S * | 4/2016 | Hayamizu | | D24/138 |
| D871,576 S * | 12/2019 | Lohk | | D24/138 |
| D886,999 S * | 6/2020 | Lohk | | D24/138 |
| D888,237 S * | 6/2020 | Lohk | | D24/138 |
| D898,910 S * | 10/2020 | Hansen | | D24/137 |

* cited by examiner

Primary Examiner — Manpreet S Matharu

Assistant Examiner — Yolanda Robinson

(74) *Attorney, Agent, or Firm* — JCIPRNET

(57) **CLAIM**

The ornamental design for an operating grip for endoscope, as shown and described.

DESCRIPTION

FIG. 1 is a top, front and left side perspective view of an operating grip for endoscope showing my new design;

FIG. 2 is a top, front and right side perspective view thereof;

FIG. 3 is a bottom, front and left side perspective view thereof;

FIG. 4 is a front elevational view thereof;

FIG. 5 is a rear elevational view thereof;

FIG. 6 is a top plan view thereof;

FIG. 7 is a bottom plan view thereof;

FIG. 8 is a left side elevational view thereof;

FIG. 9 is a right side elevational view thereof;

FIG. 10 is a cross-sectional view thereof taken along line C-C of FIG. 6, in which an internal structure thereof is not shown;

FIG. 11 is a cross-sectional view thereof taken along line D-D of FIG. 6, in which an internal structure thereof is not shown;

FIG. 12 is a cross-sectional view thereof taken along line E-E of FIG. 6, in which an internal structure thereof is not shown;

FIG. 13 is a cross-sectional view thereof taken along line F-F of FIG. 6, in which an internal structure thereof is not shown; and,

FIG. 14 is a cross-sectional view thereof taken along line G-G of FIG. 6, in which an internal structure thereof is not shown.

The broken lines shown in the operating grip for endoscope are for portions that form no part of the claimed design.

1 Claim, 14 Drawing Sheets

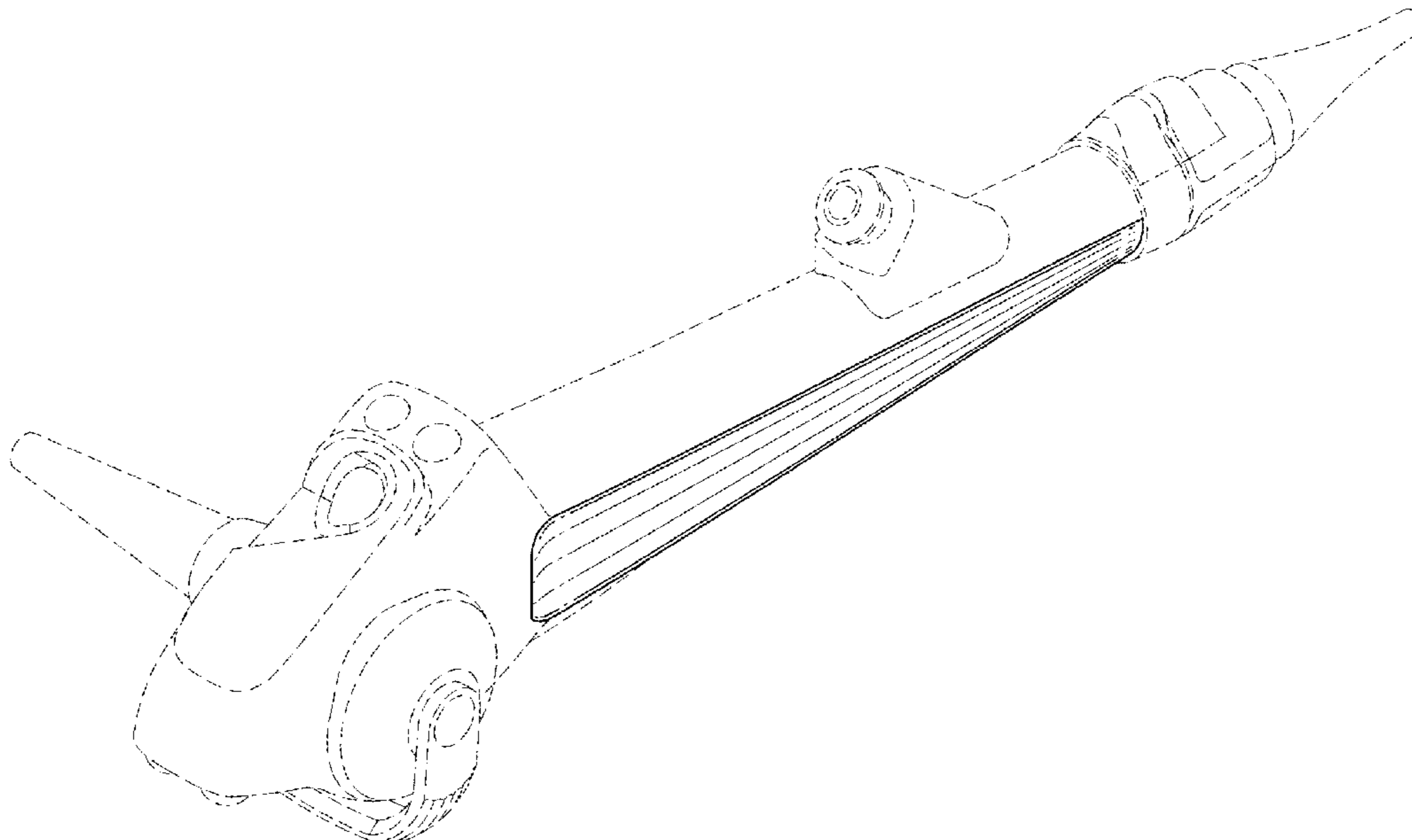


FIG. 1

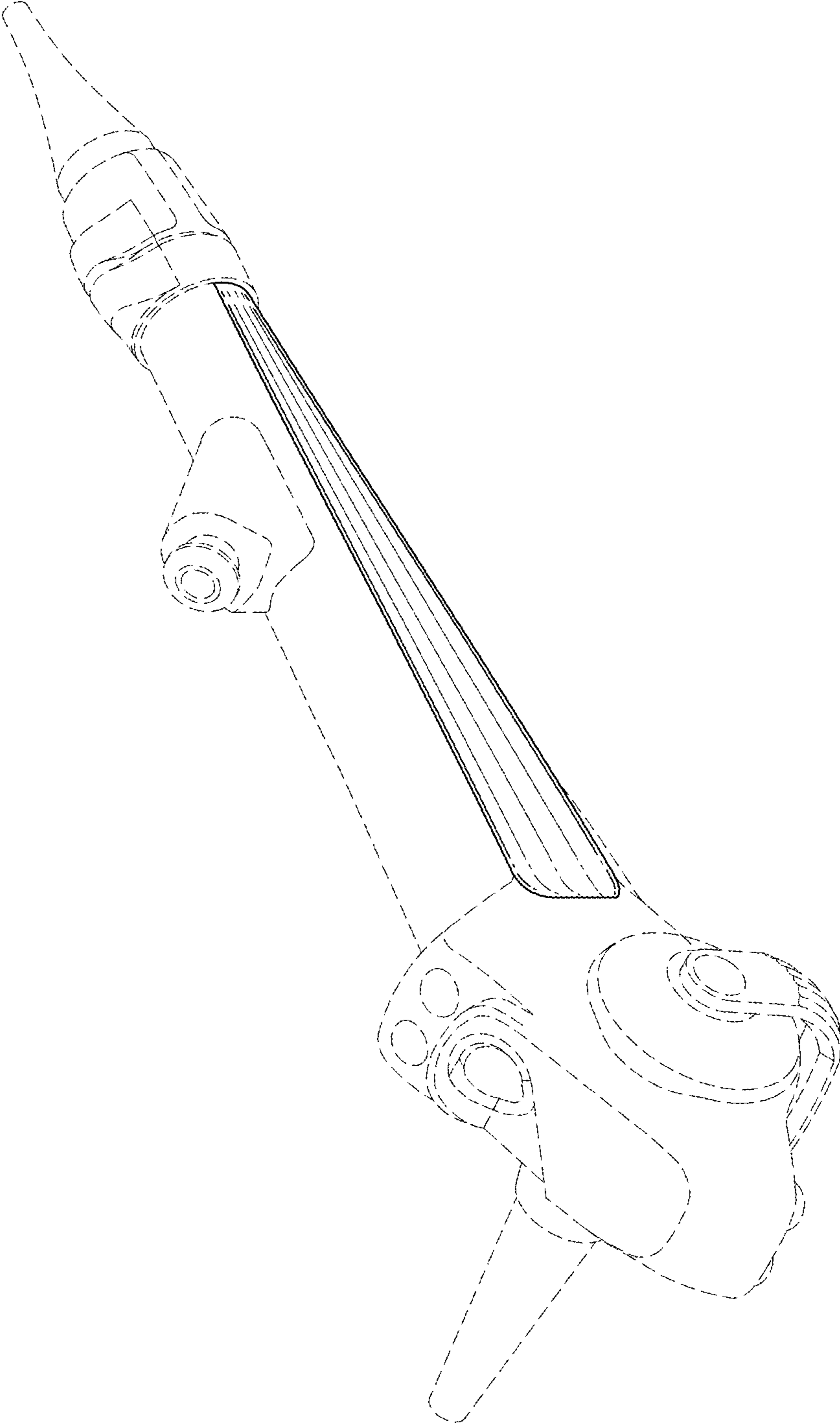


FIG.2

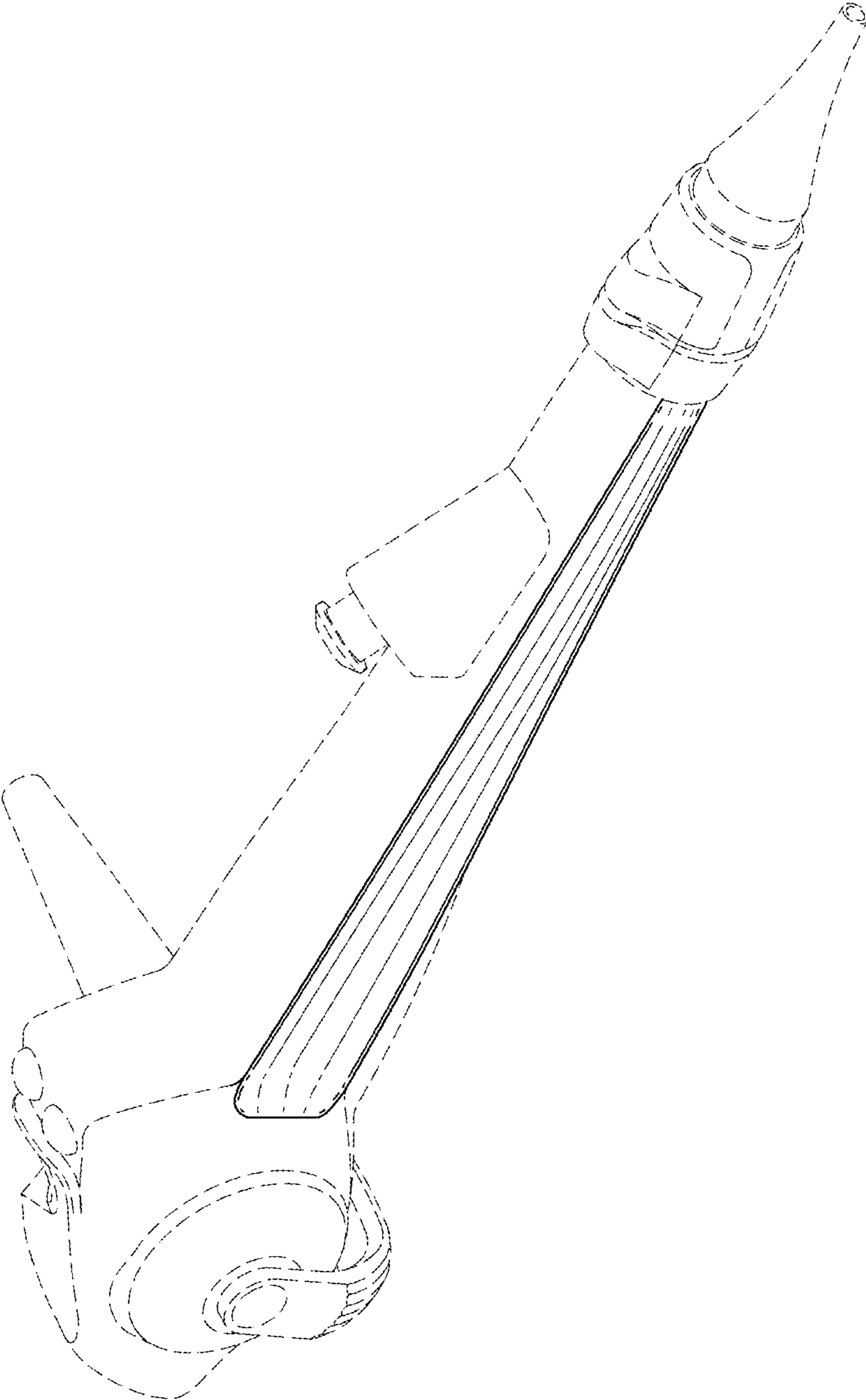


FIG.3

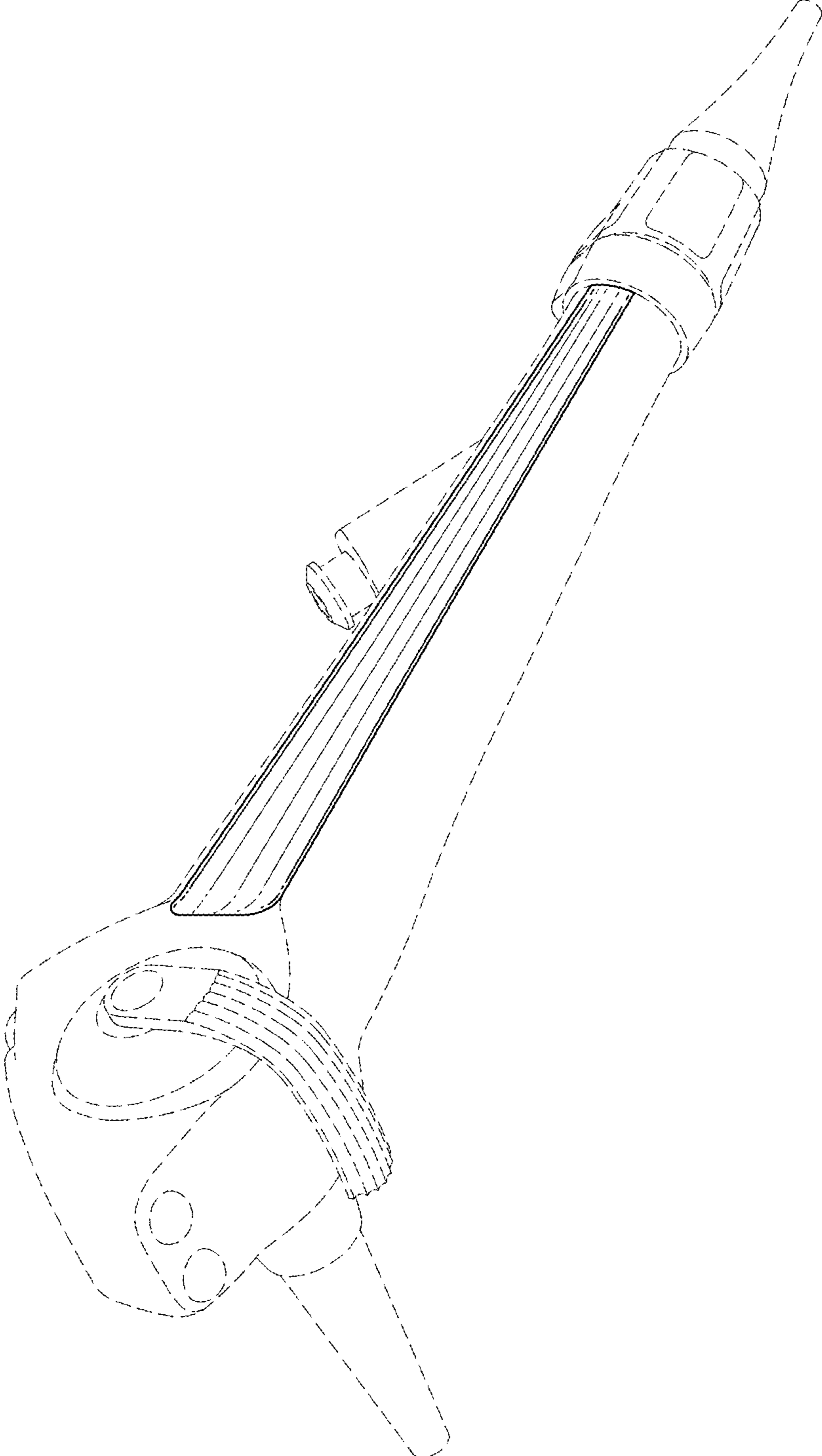


FIG. 4

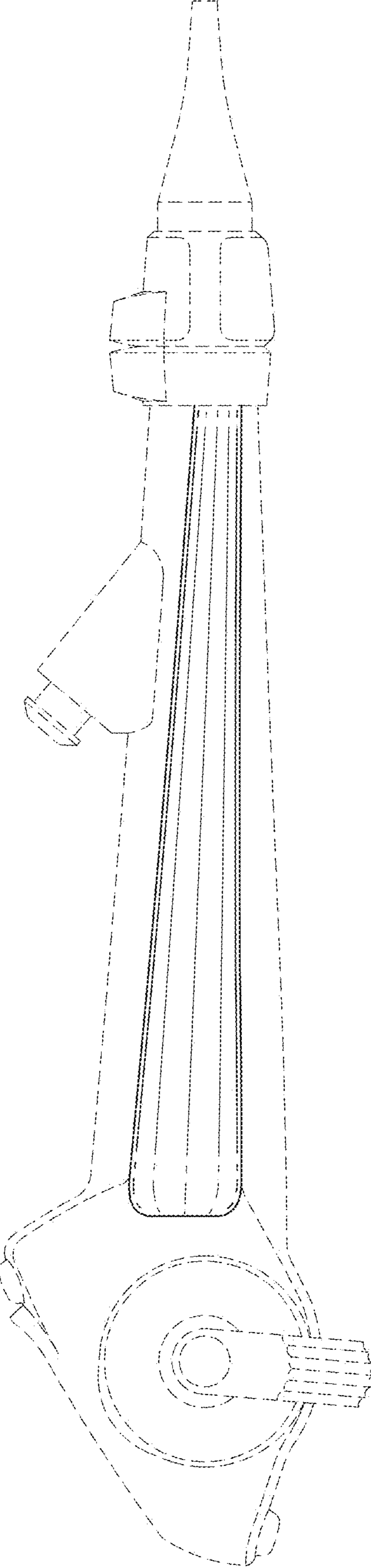


FIG. 5

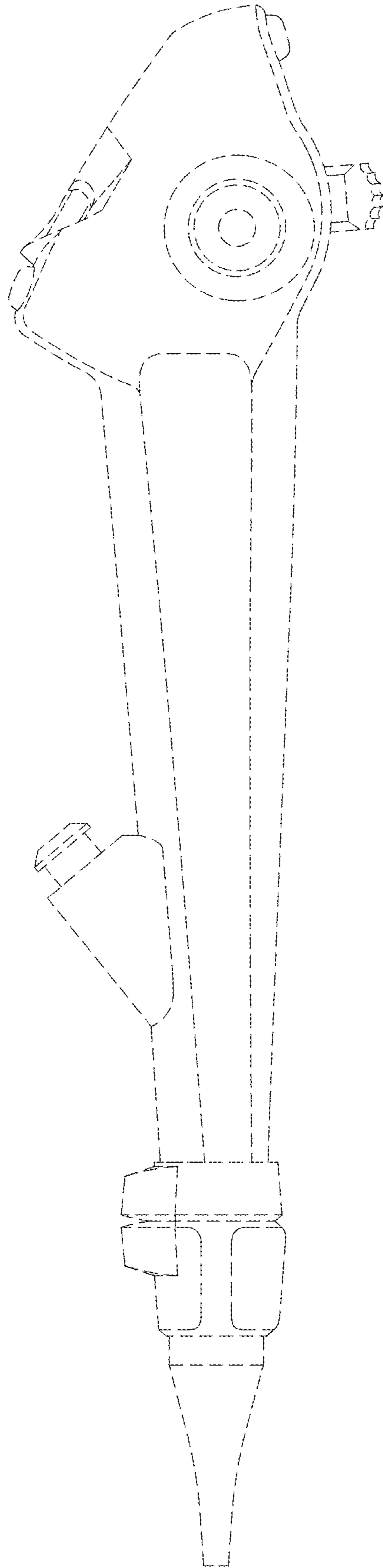


FIG.6

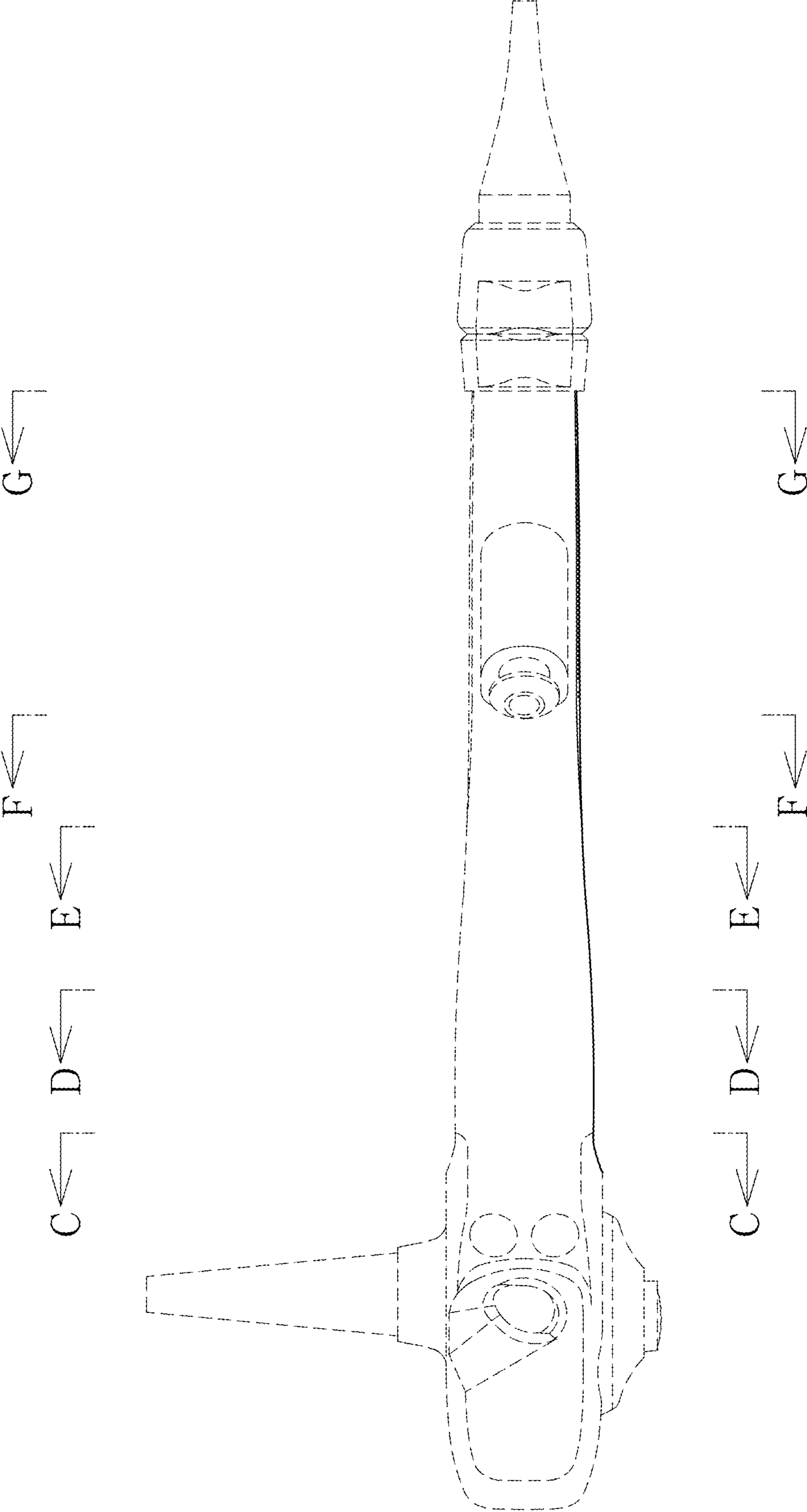


FIG. 7

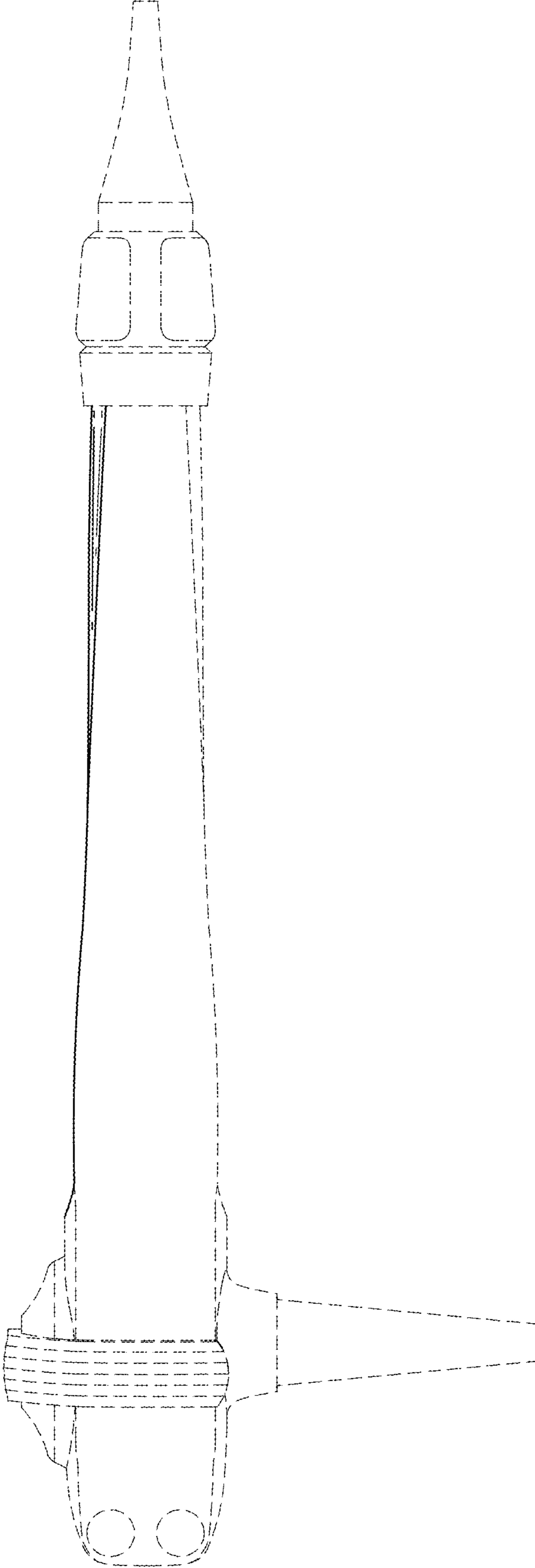


FIG.8

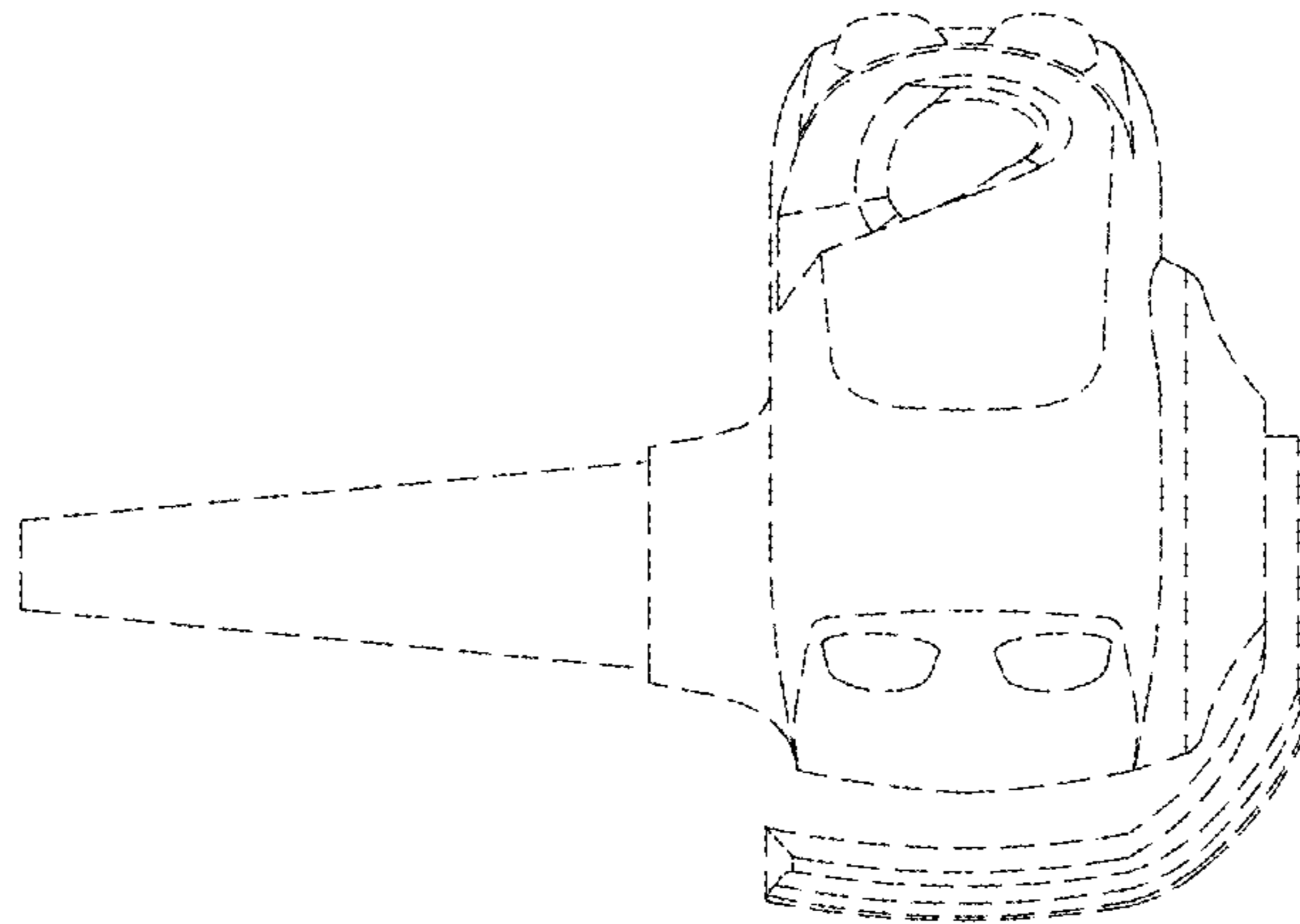


FIG. 9

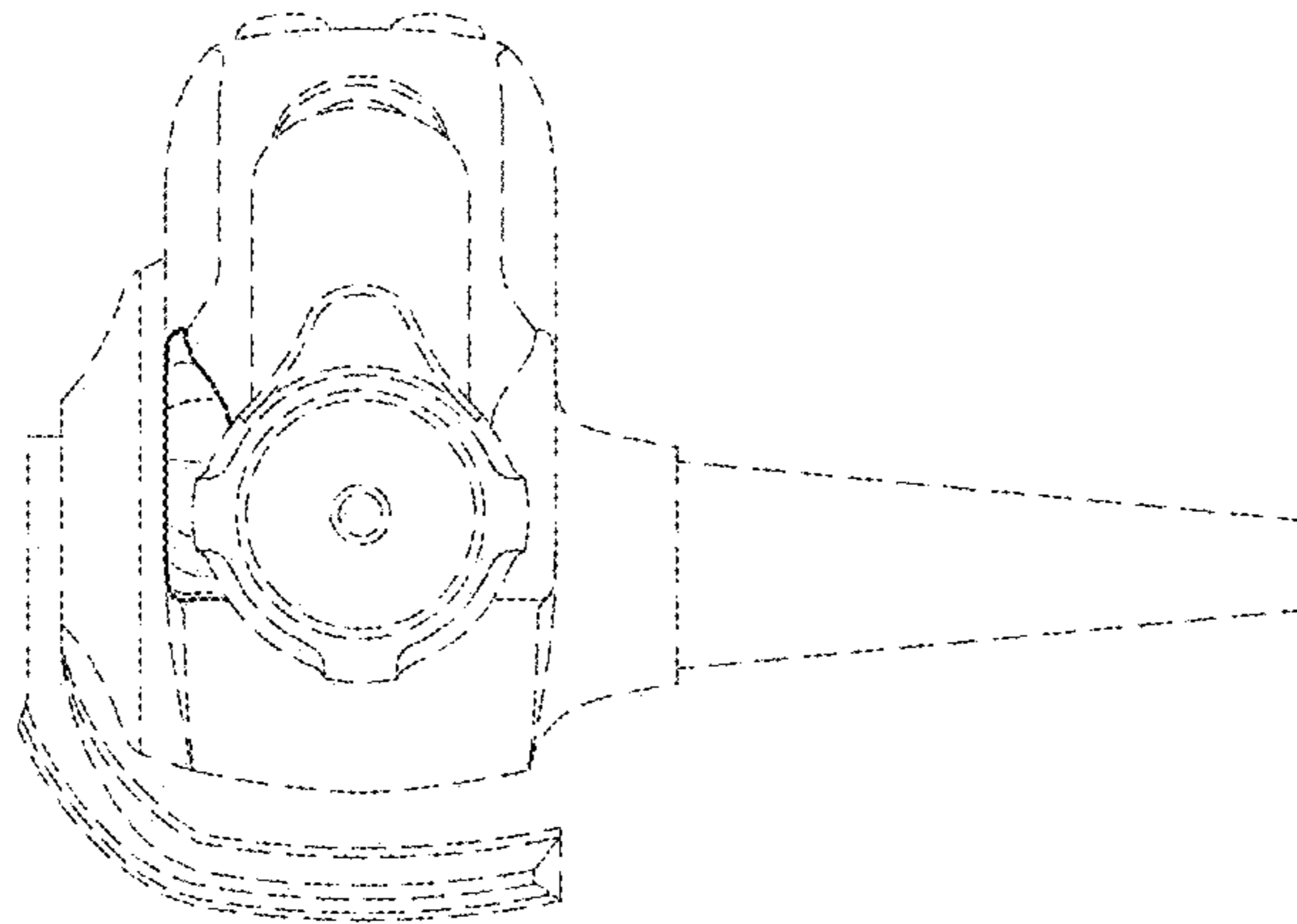


FIG. 10

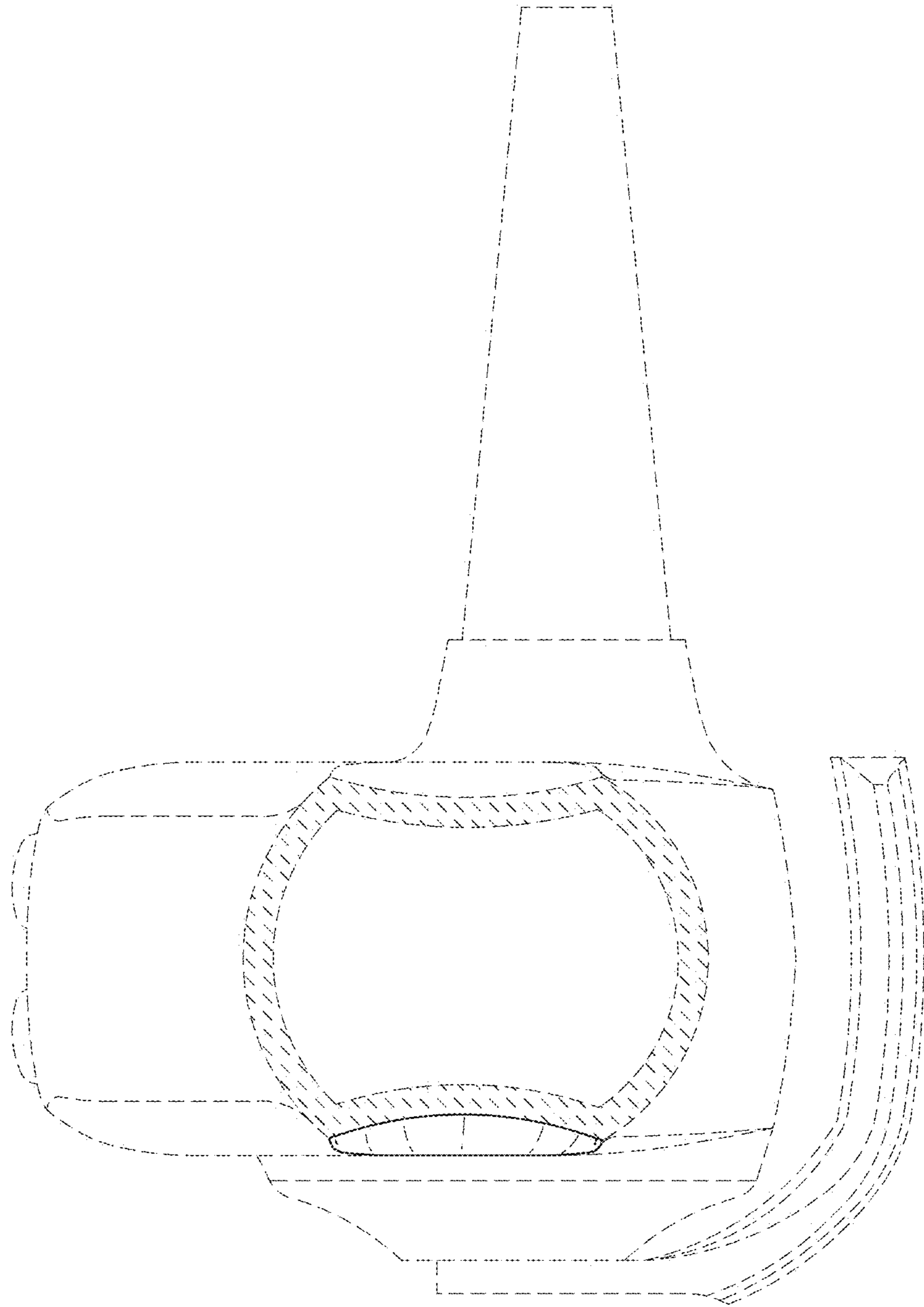


FIG.11

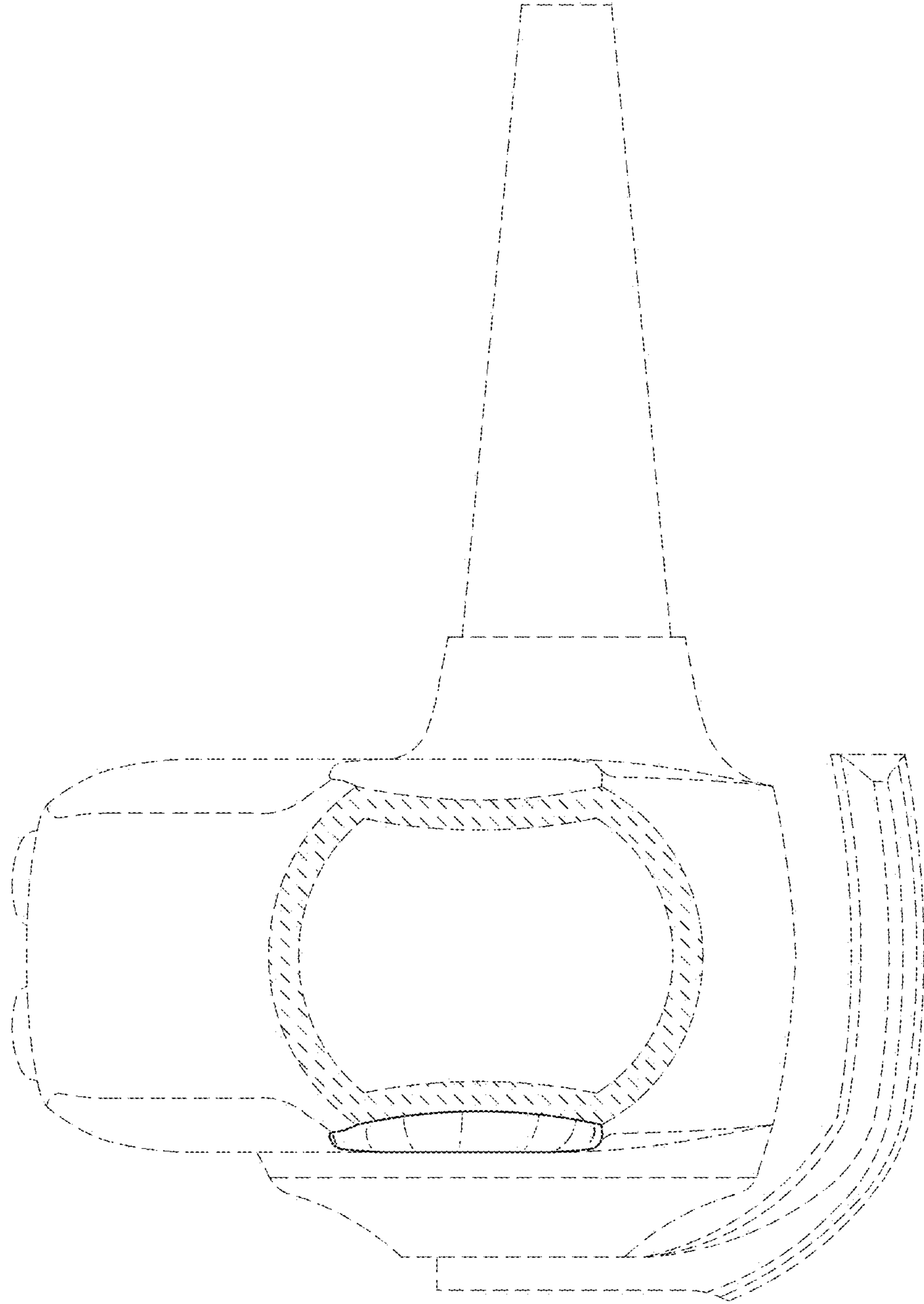


FIG. 12

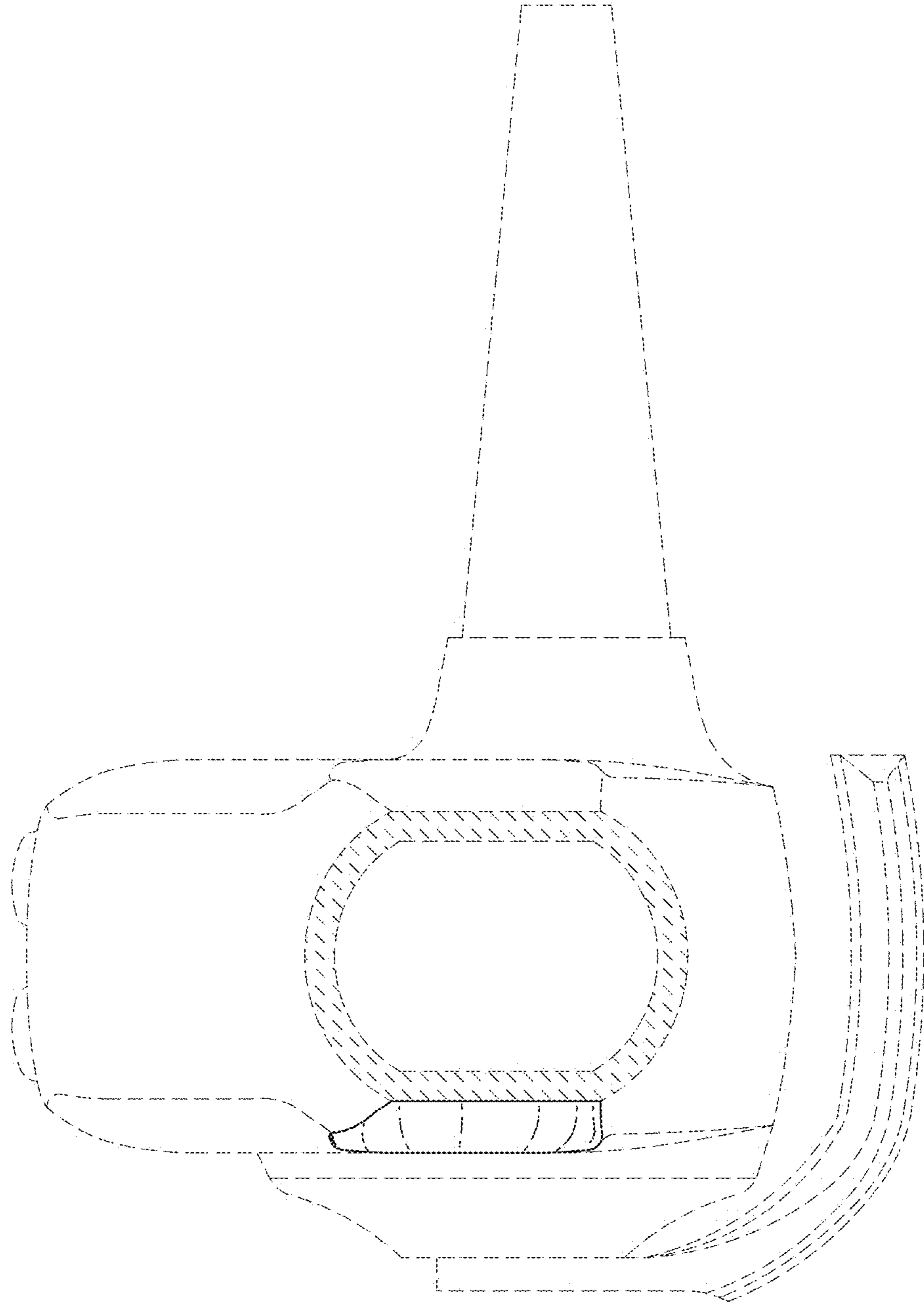


FIG. 13

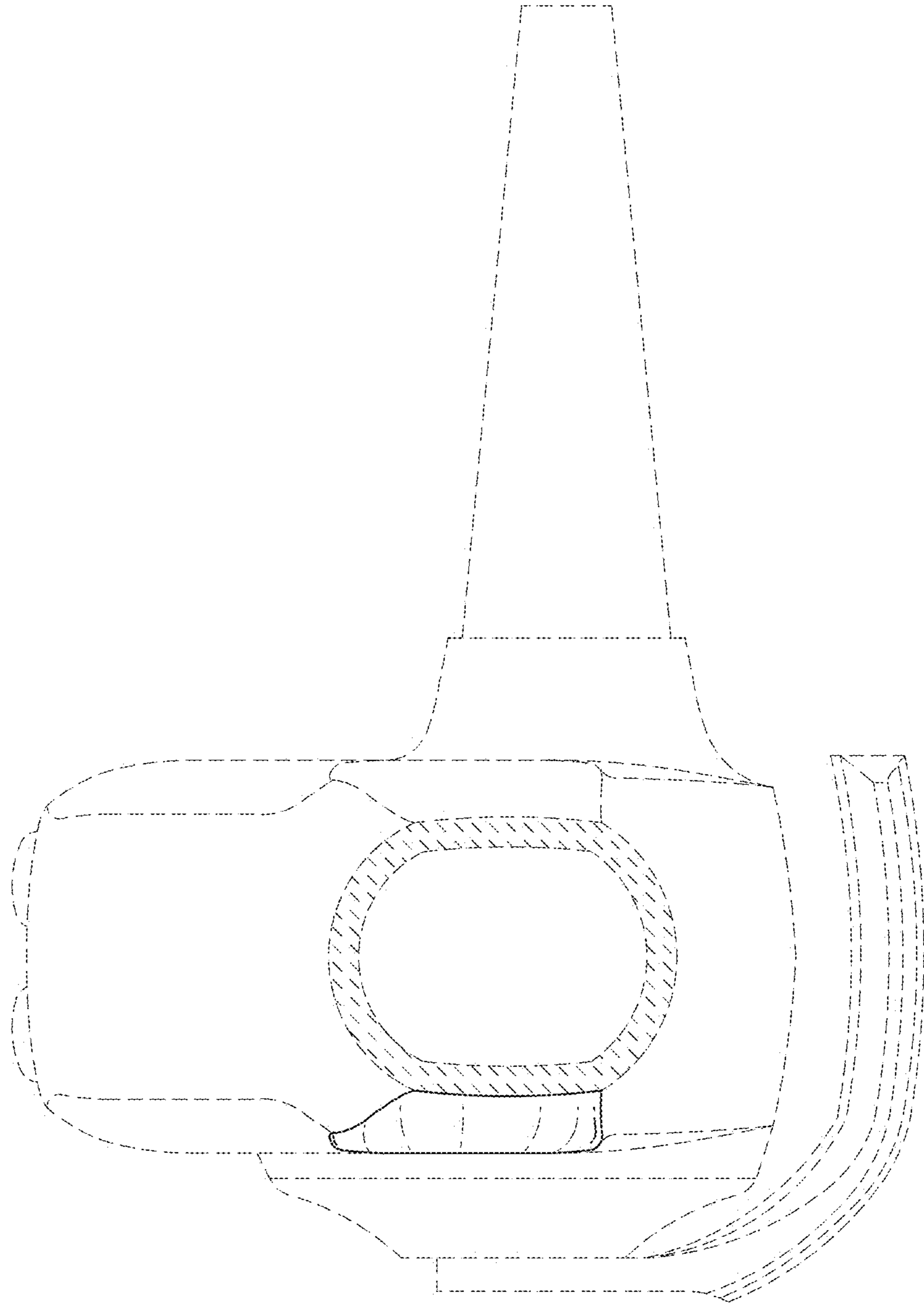


FIG.14

