



US00D954944S

(12) **United States Design Patent**  
**Byron**

(10) **Patent No.:** **US D954,944 S**  
(45) **Date of Patent:** **\*\* Jun. 14, 2022**

- (54) **SET OF RESEALABLE-INTERCONNECTED VIALS**
- (71) Applicant: **Kent Byron**, Lafayette, LA (US)
- (72) Inventor: **Kent Byron**, Lafayette, LA (US)
- (\*\*) Term: **15 Years**
- (21) Appl. No.: **29/757,597**
- (22) Filed: **Nov. 6, 2020**
- (51) **LOC (13) Cl.** ..... **24-02**
- (52) **U.S. Cl.**  
USPC ..... **D24/115; D24/224**
- (58) **Field of Classification Search**  
USPC ..... D24/115, 169, 216, 222–226, 231, 232;  
D9/500, 537, 539, 544, 545, 549, 558,  
D9/574; D3/203.1–203.8  
CPC ..... A61J 1/1425; B65D 51/002; B65D 39/00;  
B65D 1/00; B65D 1/02; B65D 1/023;  
B65D 75/5811; B65D 81/3266; G01N  
21/718; C03C 3/091; B01L 3/5021; B01L  
3/50825; B41F 17/22; B41F 17/08  
See application file for complete search history.

- D518,891 S \* 4/2006 Strong ..... D24/115
- D556,321 S \* 11/2007 Starnes ..... D24/115
- D571,002 S \* 6/2008 Starnes ..... D24/115
- D674,481 S \* 1/2013 DeCoste ..... D24/115
- D684,259 S \* 6/2013 Mehta ..... A61M 3/0208  
D24/115
- D710,993 S \* 8/2014 DeCoste, Jr. .... D24/115
- D870,275 S \* 12/2019 Murray ..... D24/115
- D886,283 S \* 6/2020 Kaye ..... D24/115
- D902,051 S \* 11/2020 Murray ..... D9/696
- D928,342 S \* 8/2021 Murray ..... D24/224
- 2005/0284313 A1\* 12/2005 Louviere ..... B41F 17/22  
101/35
- 2016/0137367 A1\* 5/2016 Fontana ..... B65D 55/165  
206/532

(56) **References Cited**

**U.S. PATENT DOCUMENTS**

- 3,917,120 A 11/1975 Larenz et al.
- 3,993,223 A 11/1976 Welker et al.
- 4,512,475 A 4/1985 Federighi
- D282,348 S 1/1986 Federighi
- 4,790,453 A 12/1988 Fontana et al.
- 4,951,822 A 8/1990 Fontana et al.
- 5,409,125 A 4/1995 Kimber et al.
- D362,390 S \* 9/1995 Weiler ..... D24/115
- D375,352 S \* 11/1996 Bologna ..... D24/115
- 6,234,333 B1 5/2001 Federighi
- 6,241,124 B1 6/2001 Hoyt
- D460,175 S 7/2002 Louviere
- D471,628 S 3/2003 Louviere

**OTHER PUBLICATIONS**

Monodose strips, Eye drop. Online, published date unknown. Retrieved on Oct. 27, 2021 from URL: <https://szbona.en.made-in-china.com/product/bNyfrCwMGFct/China-Monodose-strips-Eye-drop.html>.\*

(Continued)

*Primary Examiner* — Omeed Agilee

(74) *Attorney, Agent, or Firm* — Jones Walker LLP

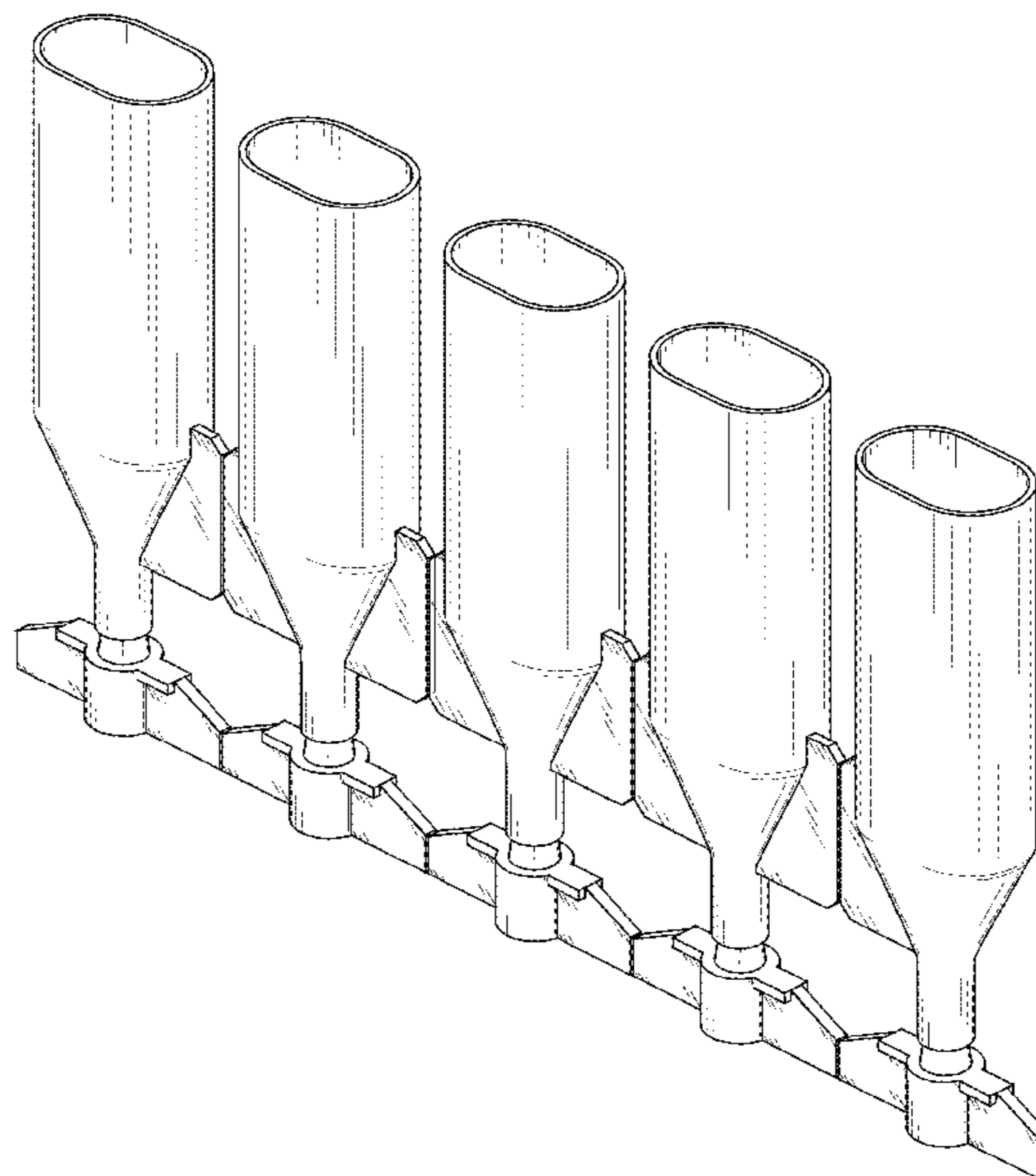
(57) **CLAIM**

The ornamental design for a set of resealable-interconnected vials, as shown and described.

**DESCRIPTION**

FIG. 1 is a perspective view of a set of resealable-interconnected vials showing my new design;  
FIG. 2 is a side view thereof;  
FIG. 3 is a front view thereof;  
FIG. 4 is a bottom view thereof;  
FIG. 5 is a top view thereof; and,  
FIG. 6 is a cross-sectional view thereof taken in the direction of line 6-6 in FIG. 4.

**1 Claim, 3 Drawing Sheets**



(56)

**References Cited**

OTHER PUBLICATIONS

Applicant's co-pending Design U.S. Appl. No. 29/757,591, filed Nov. 6, 2020.

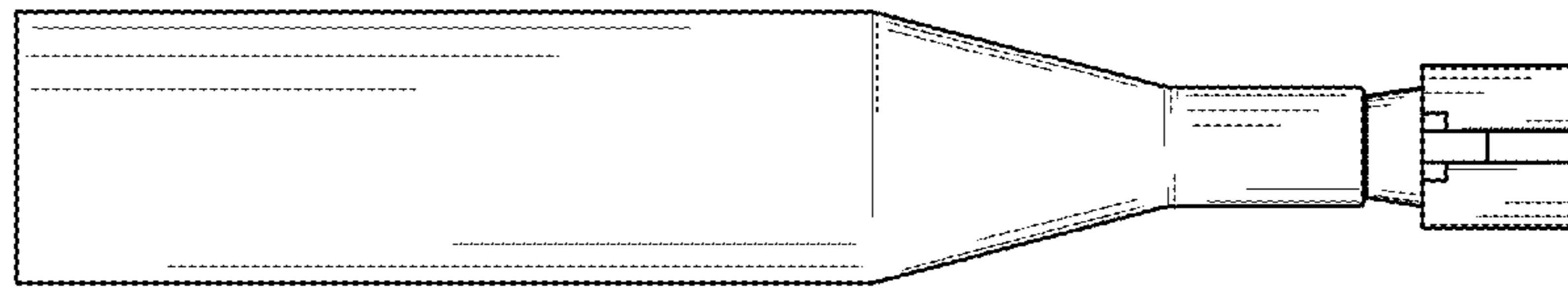
Applicant's co-pending Design U.S. Appl. No. 29/786,958, filed Jun. 3, 2021.

Applicant's co-pending Design U.S. Appl. No. 29/786,971, filed Jun. 3, 2021.

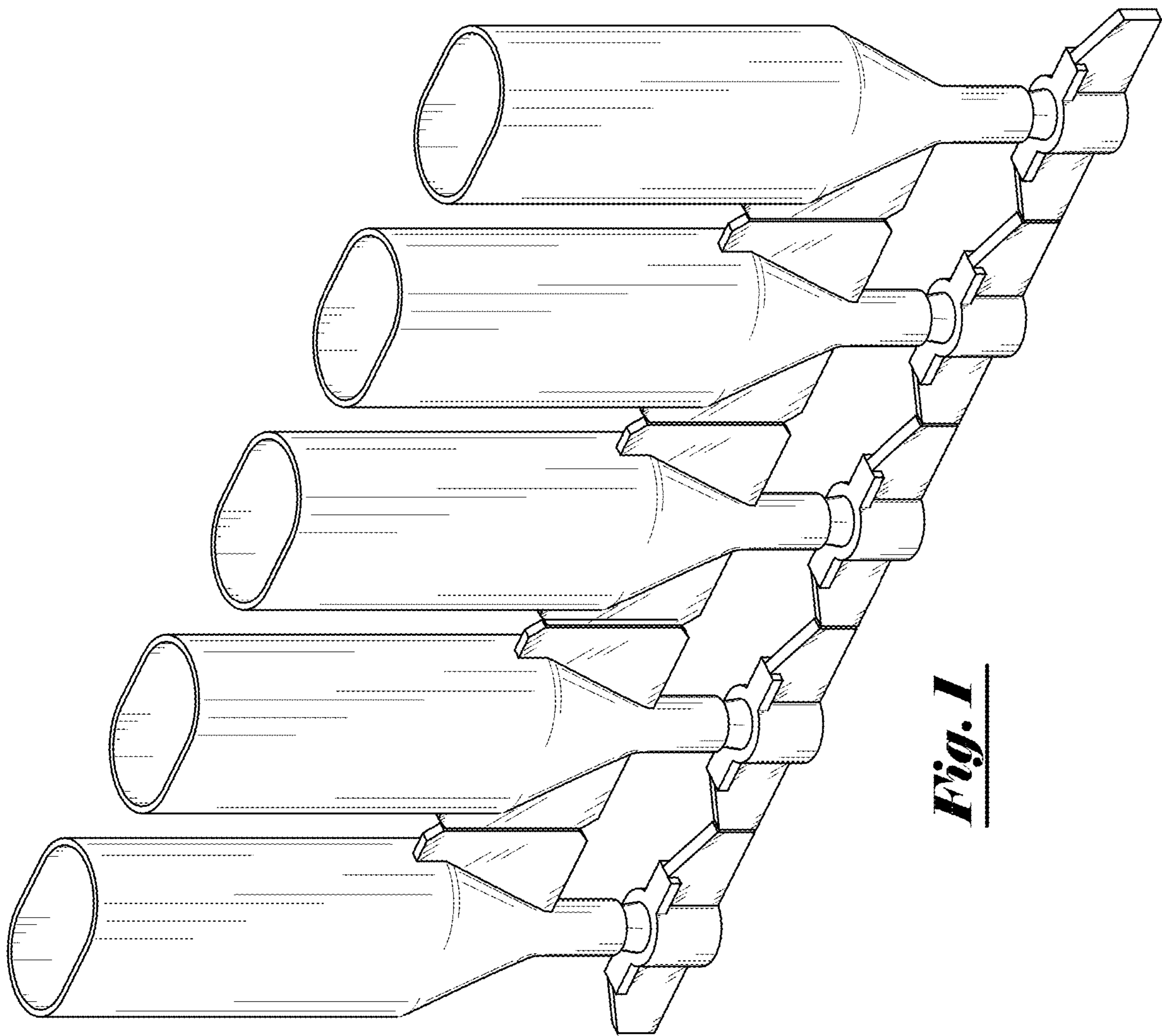
Applicant's co-pending Design U.S. Appl. No. 29/786,982, filed Jun. 3, 2021.

Applicant's co-pending Design U.S. Appl. No. 29/786,996, filed Jun. 3, 2021.

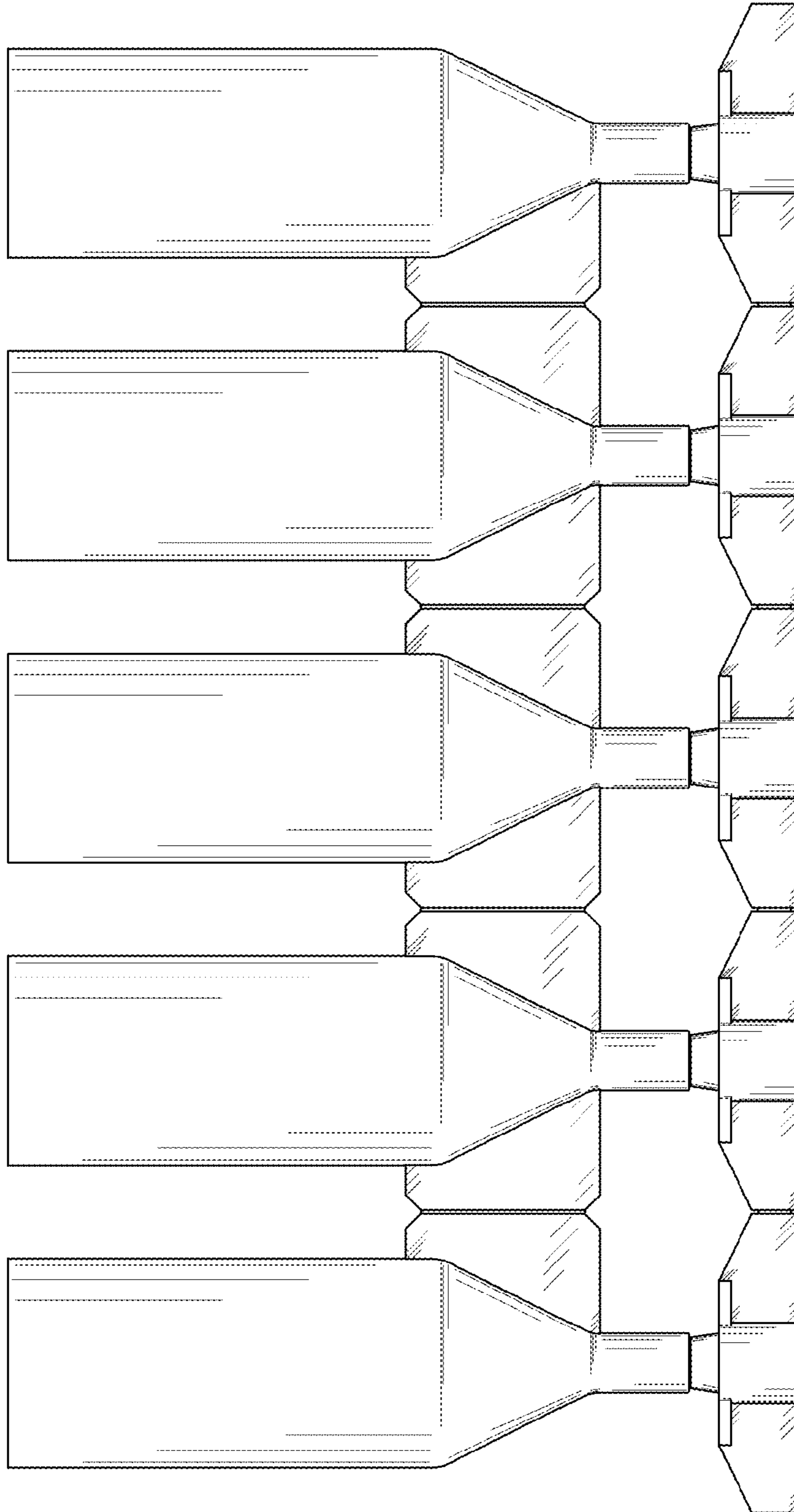
\* cited by examiner



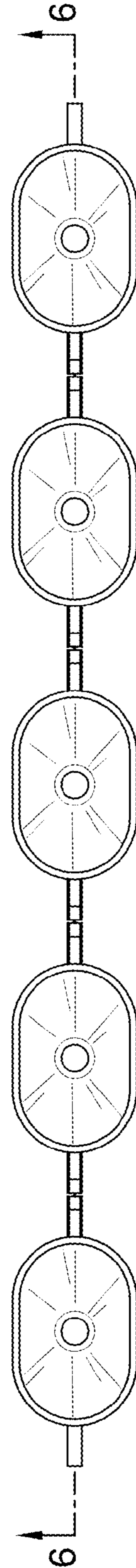
***Fig. 2***



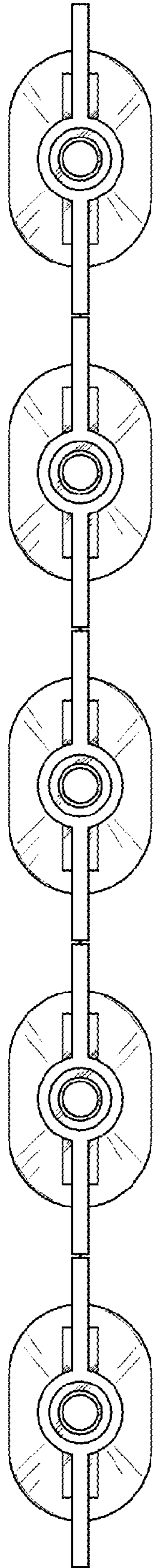
***Fig. 1***



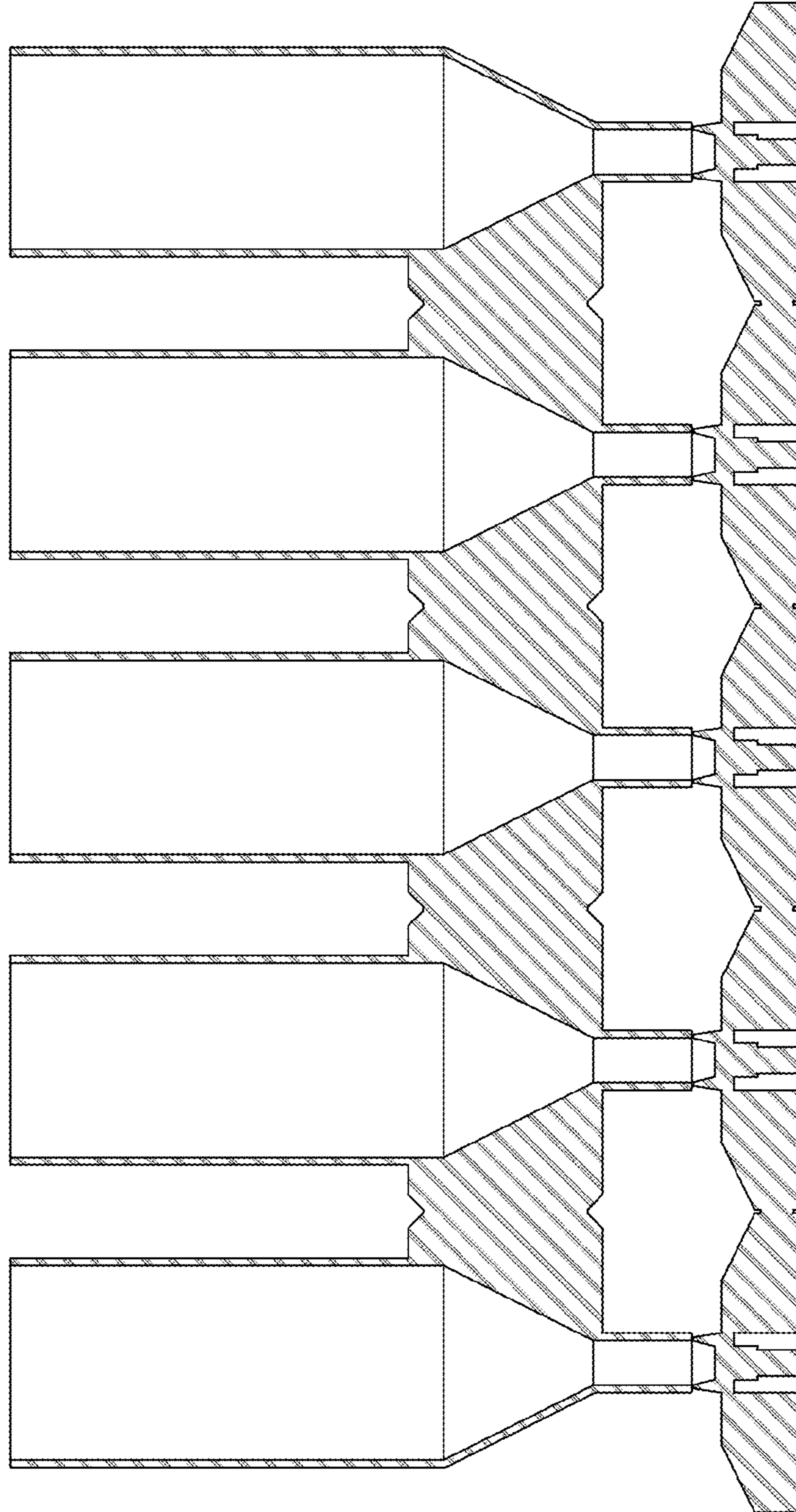
***Fig. 3***



***Fig. 4***



***Fig. 5***



***Fig. 6***