



US00D954943S

(12) **United States Design Patent**
Byron

(10) **Patent No.:** **US D954,943 S**
(45) **Date of Patent:** **** Jun. 14, 2022**

- (54) **RESEALABLE VIAL**
- (71) Applicant: **Kent Byron**, Lafayette, LA (US)
- (72) Inventor: **Kent Byron**, Lafayette, LA (US)
- (**) Term: **15 Years**
- (21) Appl. No.: **29/757,591**
- (22) Filed: **Nov. 6, 2020**
- (51) **LOC (13) Cl.** **24-02**
- (52) **U.S. Cl.**
USPC **D24/115; D24/224**
- (58) **Field of Classification Search**
USPC D24/115, 169, 216, 222–226, 231, 232;
D9/500, 537, 539, 544, 545, 549, 558,
D9/574; D3/203.1–203.8
CPC A61J 1/1425; B65D 51/002; B65D 39/00;
B65D 1/00; B65D 1/02; B65D 1/023;
B65D 75/5811; B65D 81/3266; G01N
21/718; C03C 3/091; B01L 3/5021; B01L
3/50825; B41F 17/22; B41F 17/08
See application file for complete search history.

D518,891 S *	4/2006	Strong	D24/115
D556,321 S *	11/2007	Starnes	D24/115
D571,002 S *	6/2008	Starnes	D24/115
D674,481 S *	1/2013	DeCoste	D24/115
D684,259 S *	6/2013	Mehta	A61M 3/0208 D24/115
D710,993 S *	8/2014	DeCoste, Jr.	D24/115
D870,275 S *	12/2019	Murray	D24/115
D886,283 S *	6/2020	Kaye	D24/115
D902,051 S *	11/2020	Murray	D9/696
D928,342 S *	8/2021	Murray	D24/224
2005/0284313 A1 *	12/2005	Louviere	B41F 17/22 101/35
2016/0137367 A1 *	5/2016	Fontana	B65D 55/165 206/532

(56) **References Cited**
U.S. PATENT DOCUMENTS

3,917,120 A	11/1975	Larenz et al.	
3,993,223 A	11/1976	Welker et al.	
4,512,475 A	4/1985	Federighi	
D282,348 S	1/1986	Federighi	
4,790,453 A	12/1988	Fontana et al.	
4,951,822 A	8/1990	Fontana et al.	
5,409,125 A	4/1995	Kimber et al.	
D362,390 S *	9/1995	Weiler D24/115
D375,352 S *	11/1996	Bologna D24/115
6,234,333 B1	5/2001	Federighi	
6,241,124 B1	6/2001	Hoyt	
D460,175 S	7/2002	Louviere	
D471,628 S	3/2003	Louviere	

OTHER PUBLICATIONS

Monodose strips, Eye drop. Online, published date unknown. Retrieved on Oct. 27, 2021 from URL: <https://szbona.en.made-in-china.com/product/bNyfrCwMGFct/China-Monodose-strips-Eye-drop.html>.*

(Continued)

Primary Examiner — Omeed Agilee
(74) *Attorney, Agent, or Firm* — Jones Walker LLP

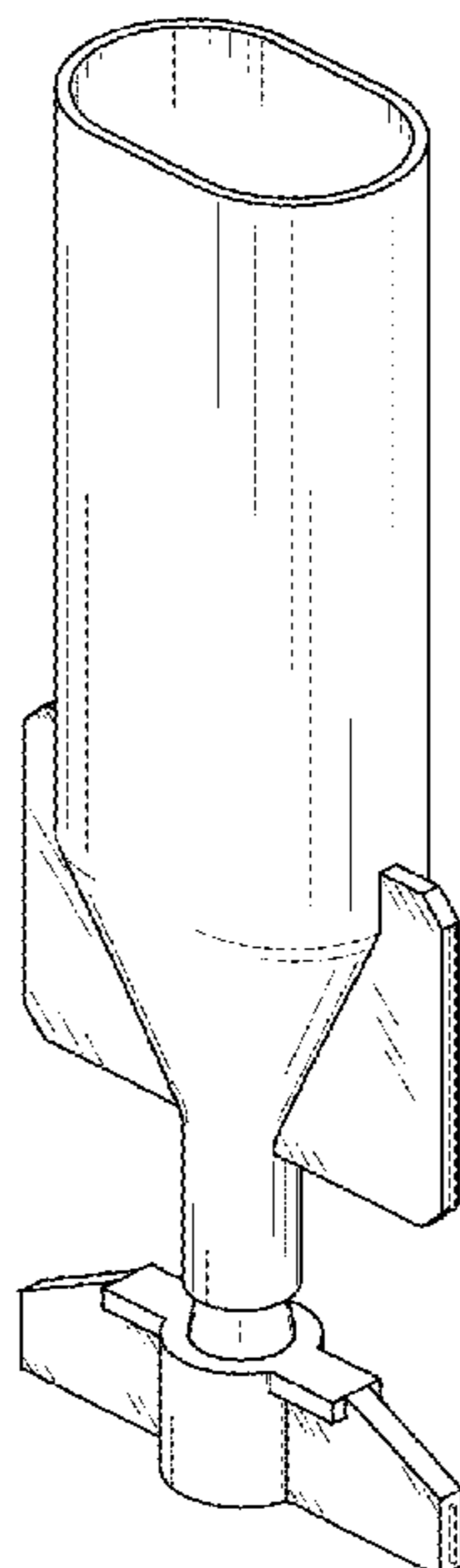
(57) **CLAIM**

I claim the ornamental design for a resealable vial, as shown and described.

DESCRIPTION

FIG. 1 is a perspective view of a resealable vial showing my new design;
FIG. 2 is a front view thereof;
FIG. 3 is a bottom view thereof;
FIG. 4 is a side view thereof;
FIG. 5 is a top view thereof; and,
FIG. 6 is a cross-sectional view thereof taken in the direction of line 6-6 in FIG. 3.

1 Claim, 2 Drawing Sheets



(56)

References Cited

OTHER PUBLICATIONS

Applicant's co-pending Design U.S. Appl. No. 29/757,597, filed Nov. 6, 2020.

Applicant's co-pending Design U.S. Appl. No. 29/786,958, filed Jun. 3, 2021.

Applicant's co-pending Design U.S. Appl. No. 29/786,971, filed Jun. 3, 2021.

Applicant's co-pending Design U.S. Appl. No. 29/786,982, filed Jun. 3, 2021.

Applicant's co-pending Design U.S. Appl. No. 29/786,996, filed Jun. 3, 2021.

* cited by examiner

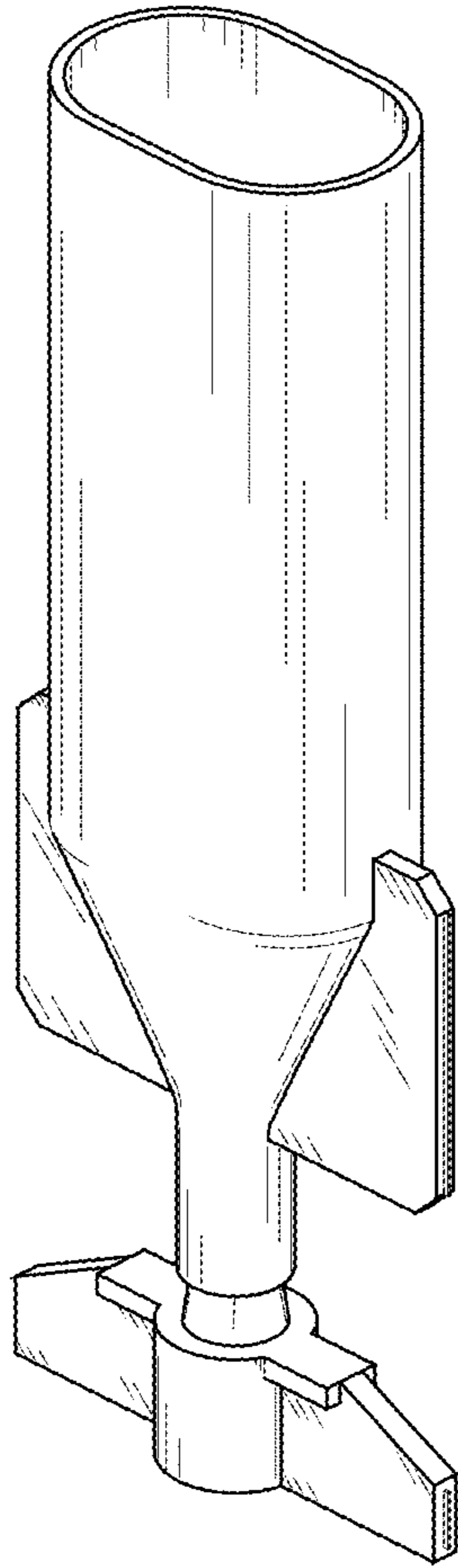


Fig. 1

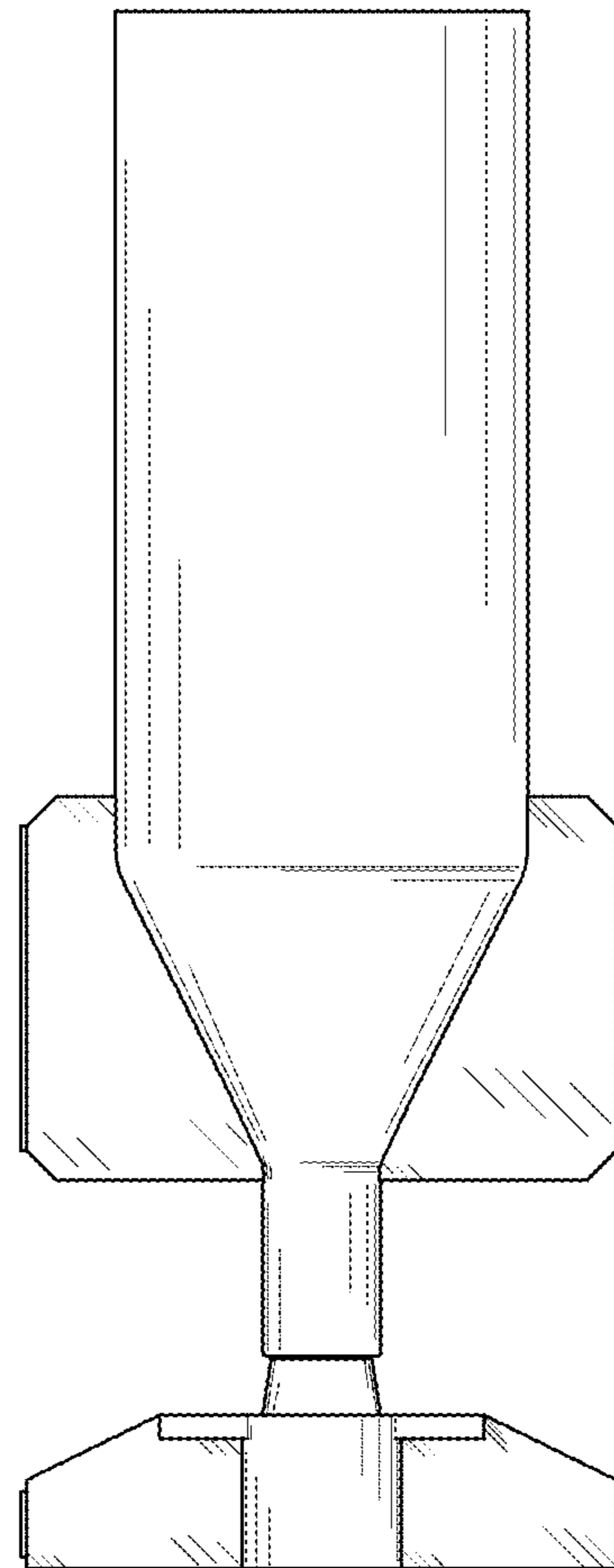


Fig. 2

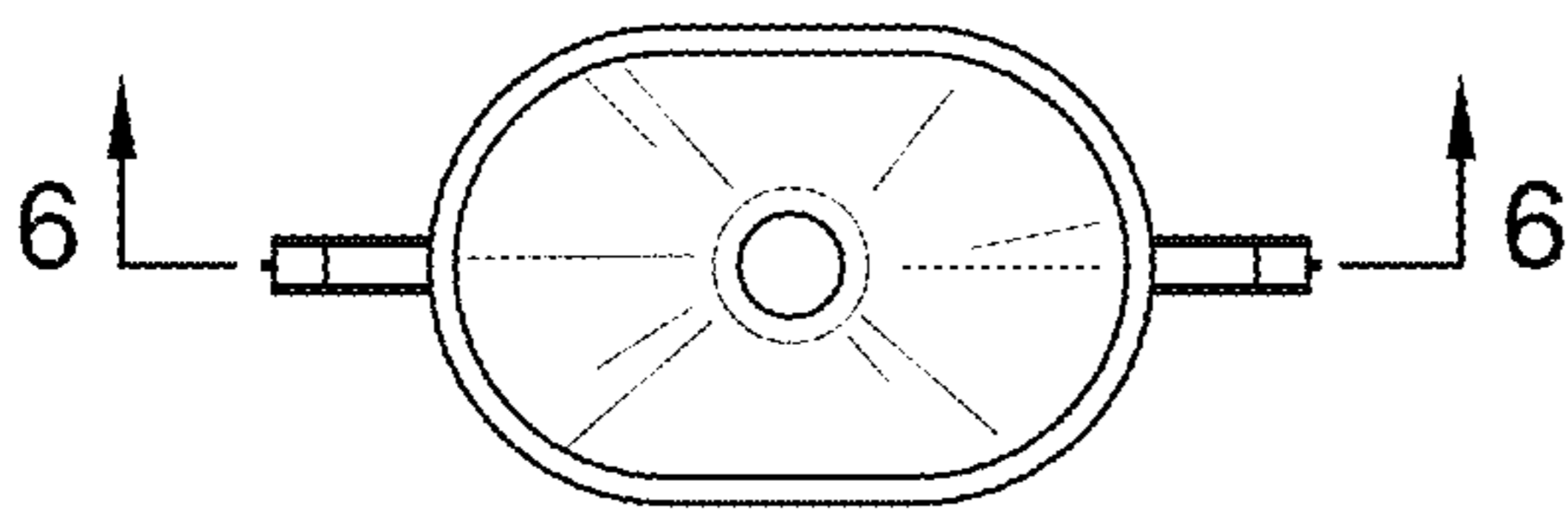


Fig. 3

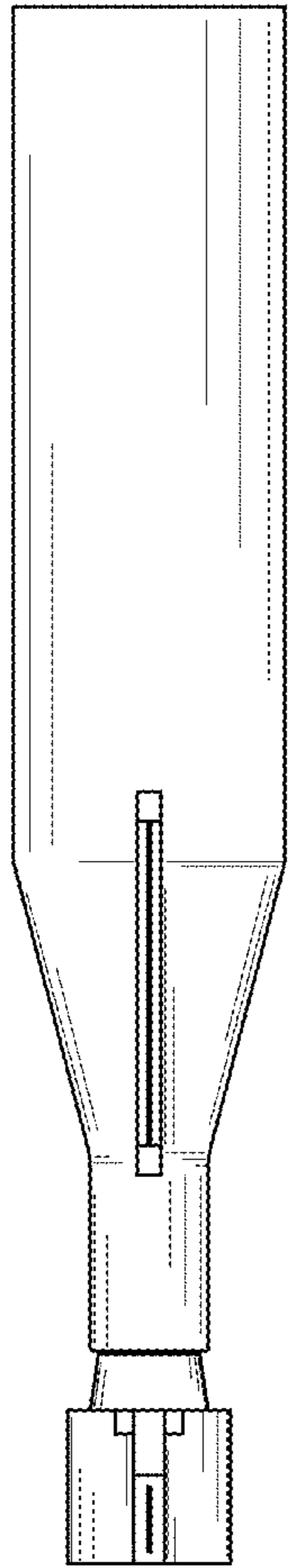


Fig. 4

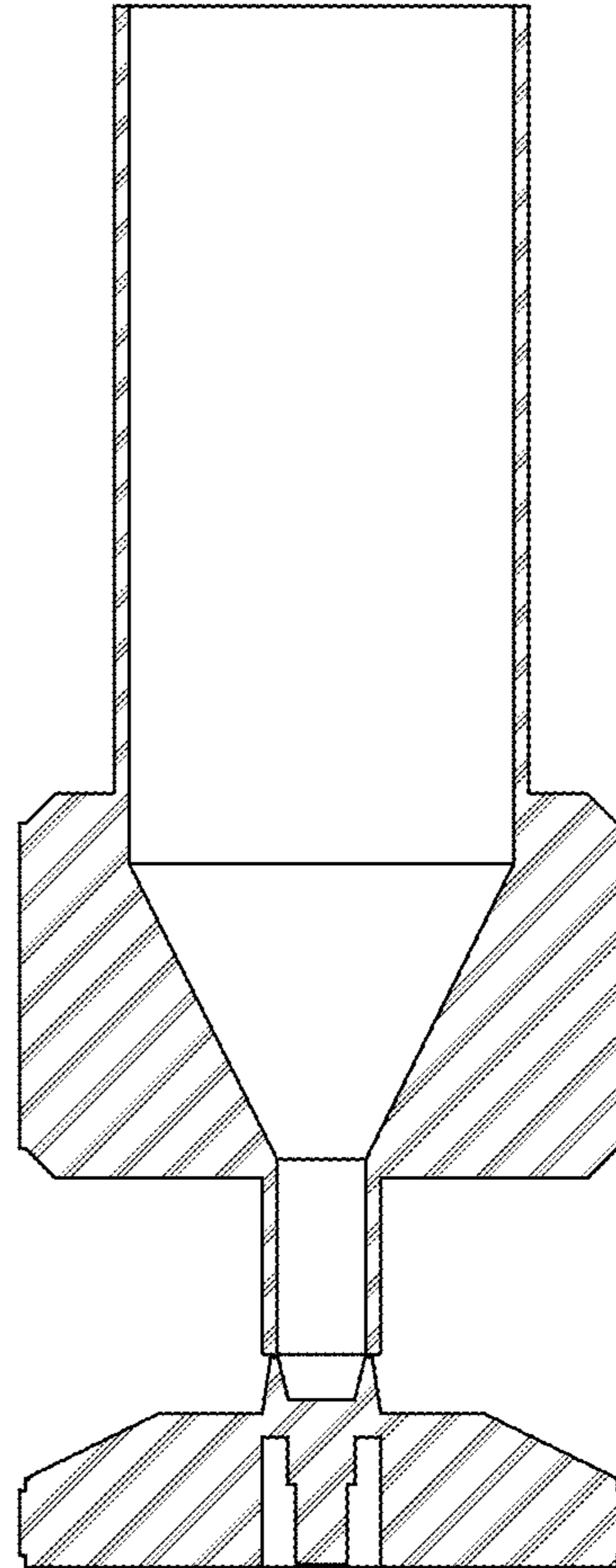


Fig. 6

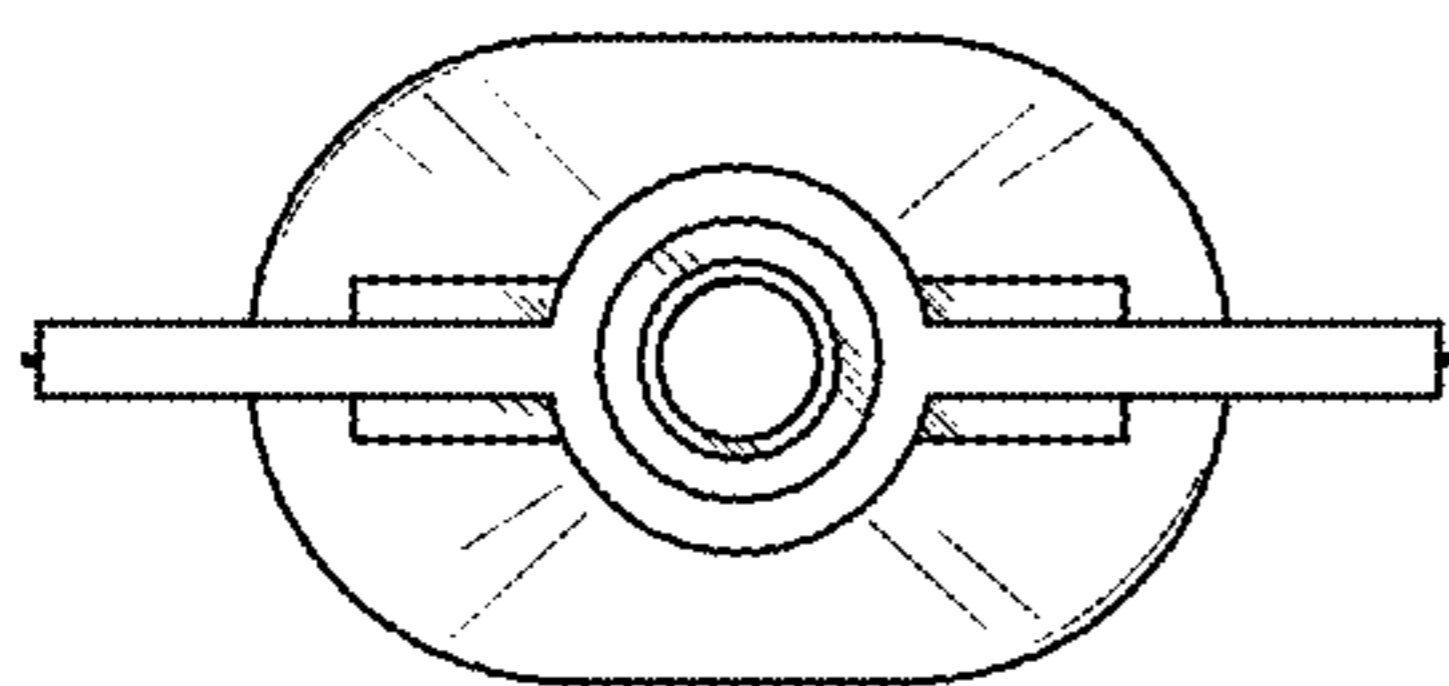


Fig. 5