



US00D954942S

(12) **United States Design Patent** (10) **Patent No.:** **US D954,942 S**
Lee (45) **Date of Patent:** **** Jun. 14, 2022**

(54) **PLUNGER ROD AND FINGER GRIP FOR A SYRINGE**

FOREIGN PATENT DOCUMENTS

(71) Applicant: **LG Chem, Ltd.**, Seoul (KR)

CA 177135 * 3/2017
CA 175995 * 9/2018
RU 00125910 * 6/2021

(72) Inventor: **Hye Won Lee**, Daejeon (KR)

OTHER PUBLICATIONS

(73) Assignee: **LG Chem, Ltd.**

BD UltraSafe Plus™ passive needle guard, BD.com. [Postdate Nov. 12, 2021], [Site seen Dec. 6, 2021], Seen at URL: <https://drugdeliverysystems.bd.com/products/safety-and-shielding-systems/ultrasafe-plus-passive-needle-guard> (Year: 2021).*

(**) Term: **15 Years**

(Continued)

(21) Appl. No.: **29/763,607**

(22) Filed: **Dec. 23, 2020**

Primary Examiner — Natasha Vujcic
Assistant Examiner — Gilbert B Ford
(74) *Attorney, Agent, or Firm* — Lerner, David, Littenberg, Krumholz & Mentlik, LLP

(30) **Foreign Application Priority Data**

Jun. 26, 2020 (KR) 30-2020-0029223

(51) **LOC (13) Cl.** **24-02**

(52) **U.S. Cl.**
USPC **D24/114; D24/130**

(58) **Field of Classification Search**
USPC D24/112–114, 108, 127–131, 133, 186
CPC A61J 1/2096; A61M 5/3257; A61M 5/46;
A61M 5/31501; A61M 2205/273; A61M
5/321
See application file for complete search history.

(57) **CLAIM**

The ornamental design for a plunger rod and finger grip for a syringe, as shown and described.

DESCRIPTION

FIG. 1 is a front perspective view of a plunger rod and finger grip for a syringe according to my design;
FIG. 2 is a front view thereof;
FIG. 3 is a rear view thereof;
FIG. 4 is a left side view thereof;
FIG. 5 is a right side view thereof;
FIG. 6 is a top view thereof;
FIG. 7 is a bottom view thereof;
FIG. 8 is an exploded front perspective view thereof;
FIG. 9 is an enlarged view of portion “9” shown in FIG. 2; and,
FIG. 10 is an enlarged view of portion “10” shown in FIG. 2.
The broken lines shown represent portions of the plunger rod and finger grip for a syringe that form no part of the claimed design.

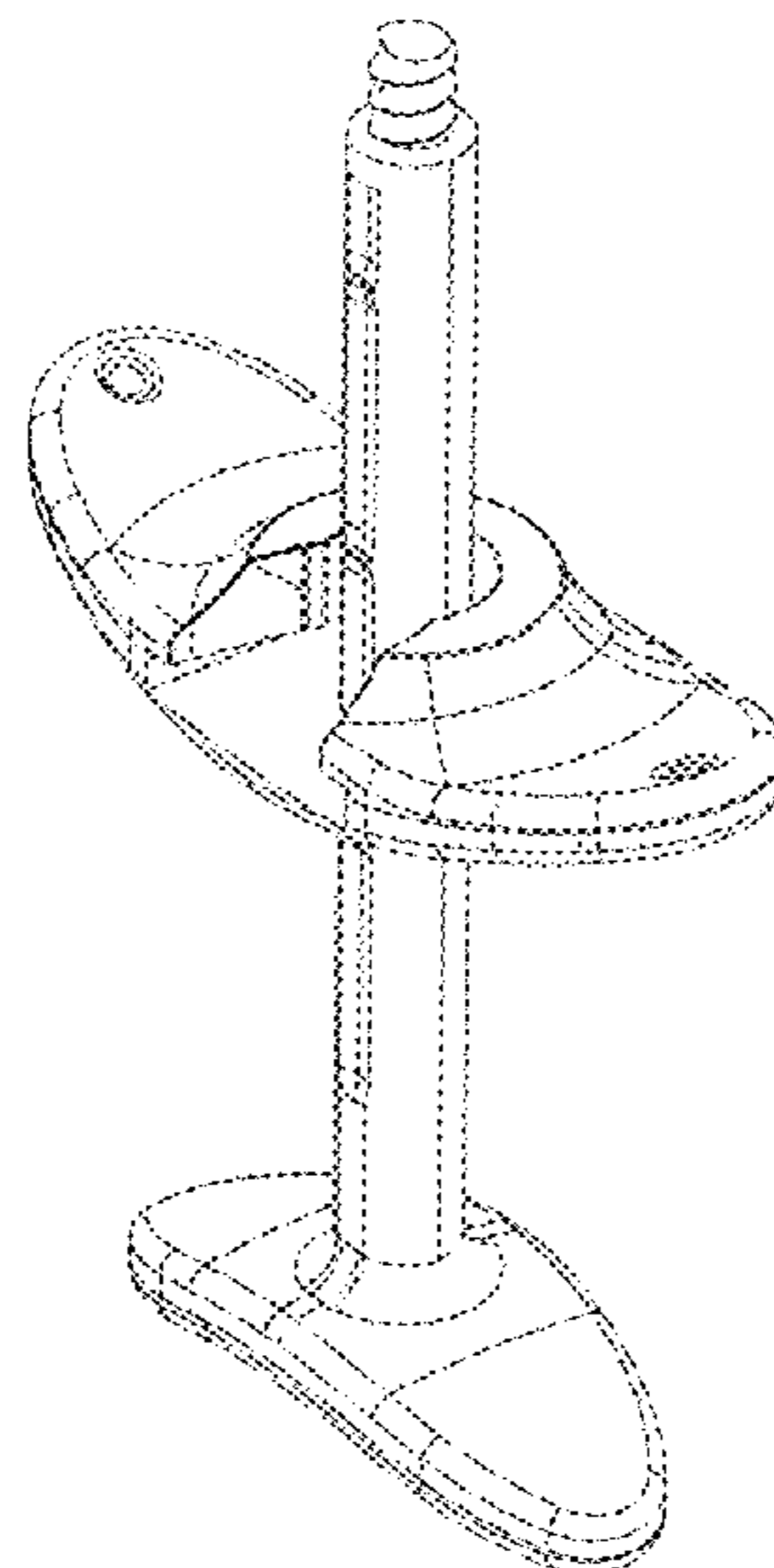
(56) **References Cited**

U.S. PATENT DOCUMENTS

D661,389 S * 6/2012 Morgan D24/130
D668,760 S * 10/2012 Kawamura D24/130
D744,643 S * 12/2015 Eckstein D24/130
D751,705 S * 3/2016 Hitscherich, Jr. D24/130
D794,185 S * 8/2017 Dolk D24/130
D796,670 S * 9/2017 Dolk D24/130
D798,444 S * 9/2017 Darras D24/130
D799,034 S * 10/2017 Nguyen D24/130
D800,900 S * 10/2017 Darras D24/130
D804,663 S * 12/2017 Jenkins D24/130
D814,026 S * 3/2018 Darras D24/130

(Continued)

1 Claim, 4 Drawing Sheets



(56)

References Cited

U.S. PATENT DOCUMENTS

D865,948 S * 11/2019 Mandaroux D24/114
D865,949 S * 11/2019 Mandaroux D24/114
D866,753 S * 11/2019 Mandaroux D24/114
D867,582 S * 11/2019 Mandaroux D24/114
D870,272 S * 12/2019 Goulinet D24/114
D883,480 S * 5/2020 Leibowitz D24/133
D886,296 S * 6/2020 Evans A61M 5/3137
D24/130
D891,611 S * 7/2020 Valentin D24/114
D909,571 S * 2/2021 Futami D24/114
D915,580 S * 4/2021 Uemura D24/114
2017/0290987 A1 * 10/2017 Mandaroux A61M 5/31505
2020/0254184 A1 * 8/2020 Ozawa A61M 5/315

OTHER PUBLICATIONS

Injection Modi ed Sodium Hyaluronate/Hyaluronic Acid Dermal Filler Yvoire, Ecplaza, [Postdate unknow], [Site seen Dec. 6, 2021], Seen at URL: https://www.ecplaza.net/products/injection-modified-sodium-hyaluronatehyaluronic-acid-dermal_4535003 (Year: 2021).*

* cited by examiner

FIG. 1

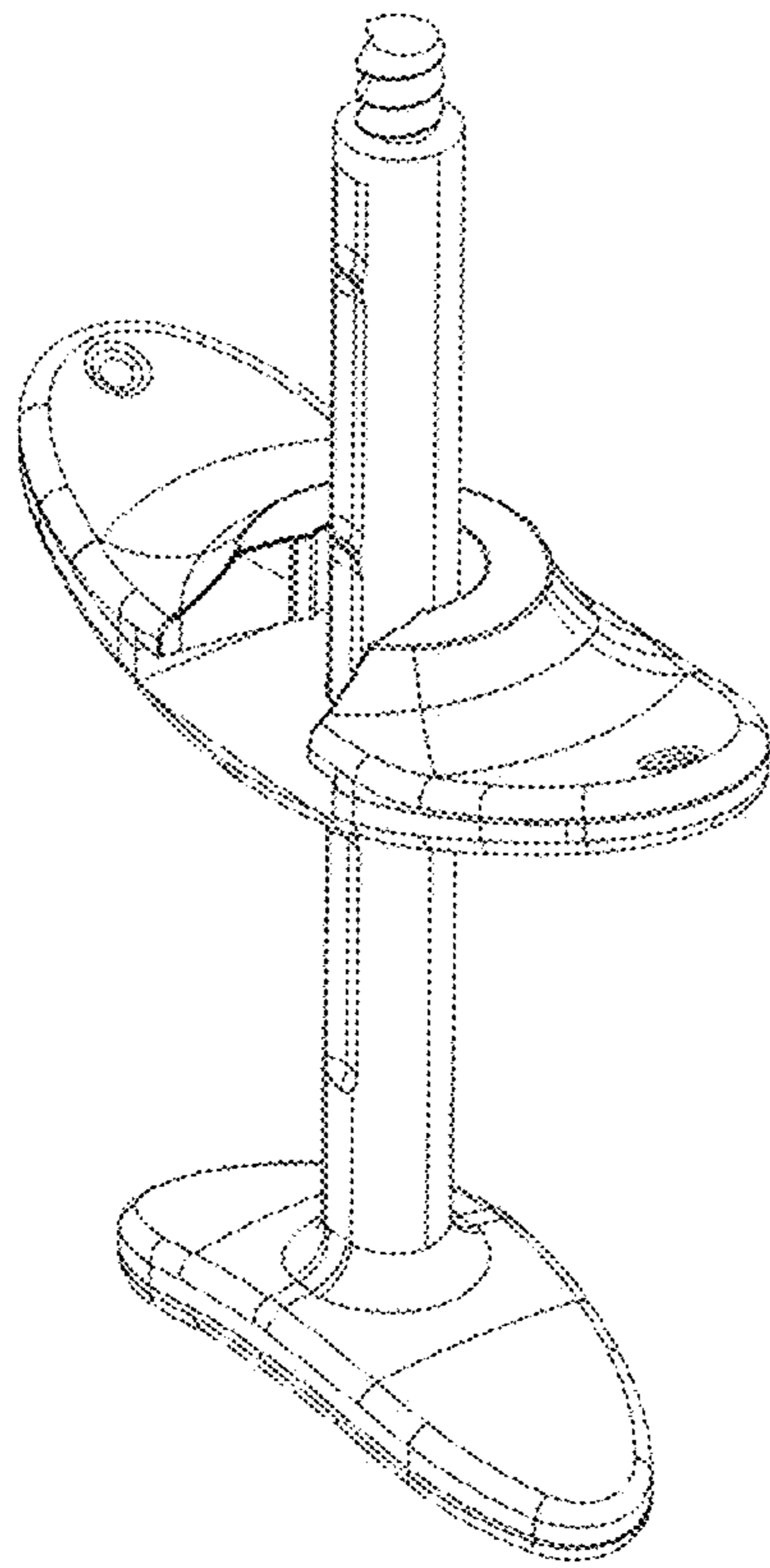


FIG. 2

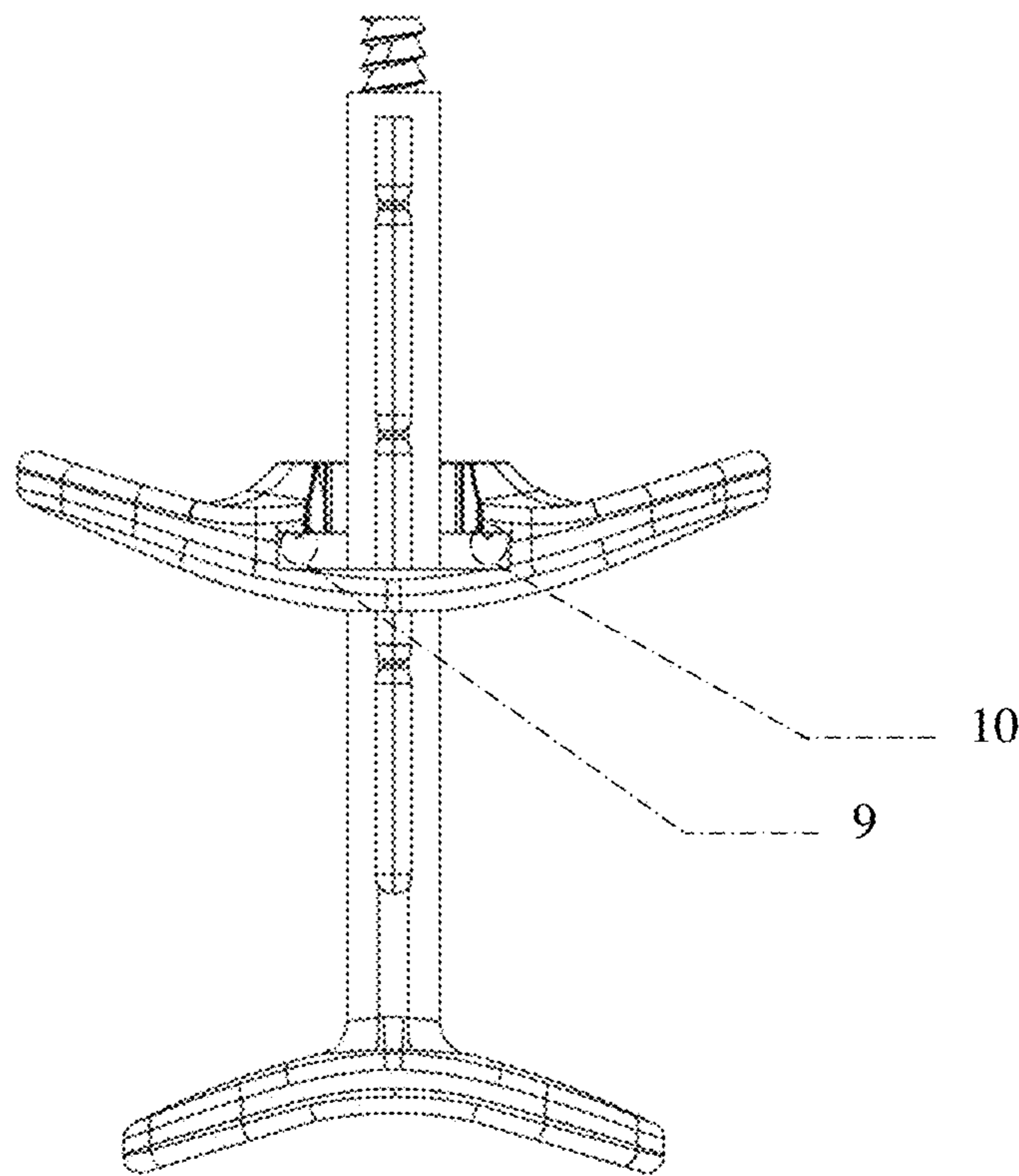


FIG. 3

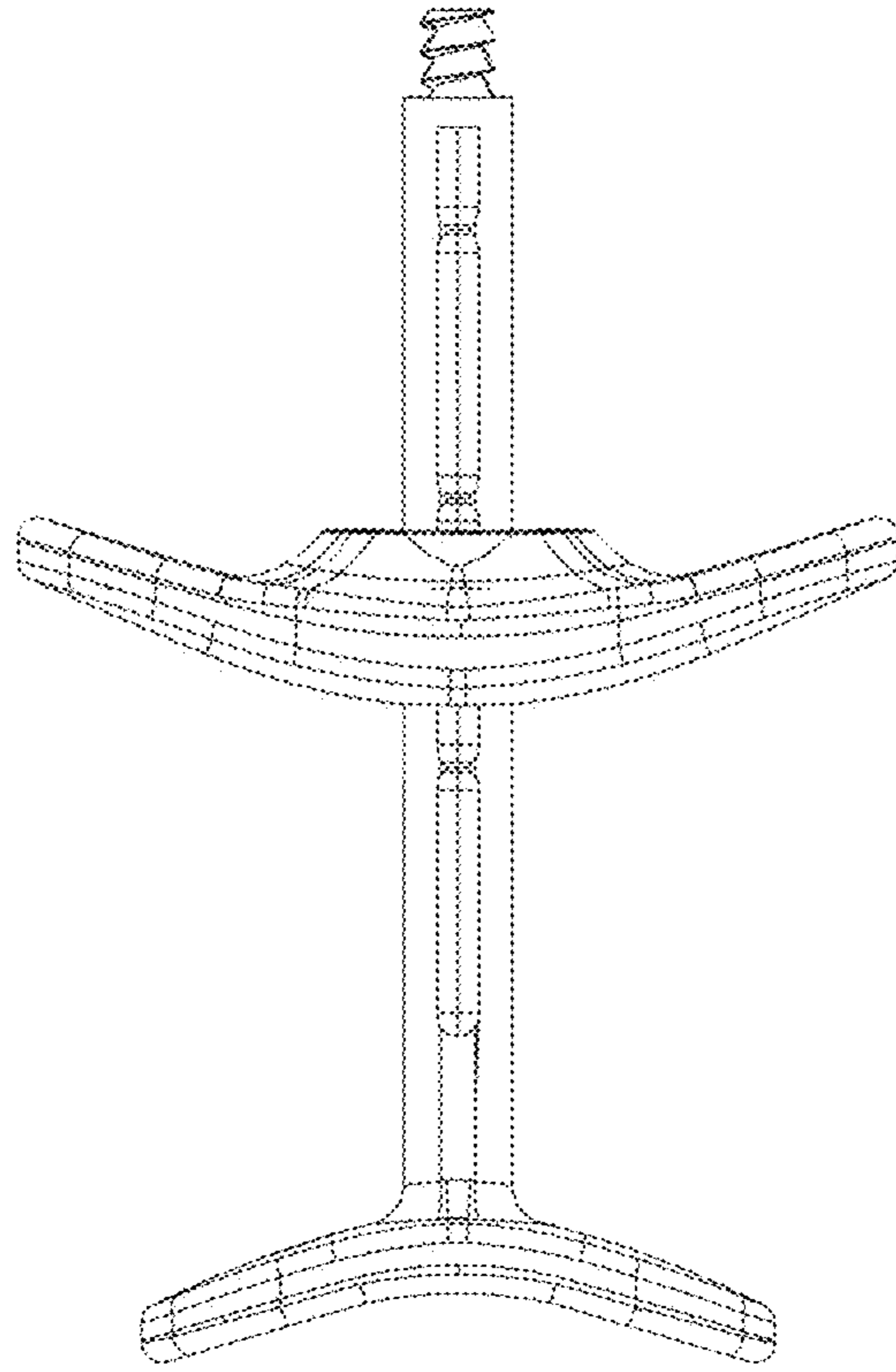


FIG. 4

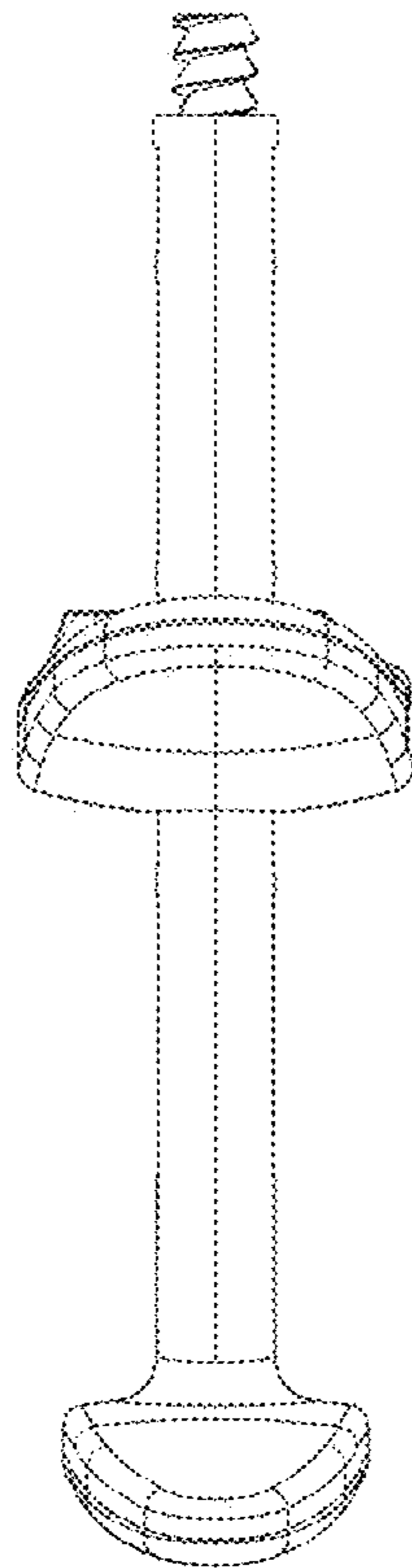


FIG. 5

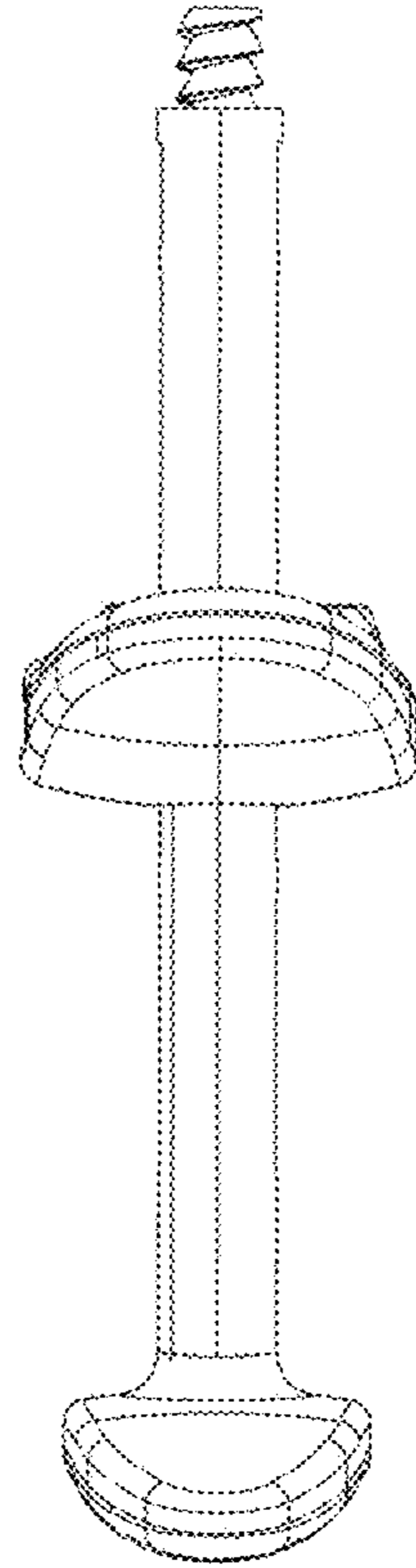


FIG. 6

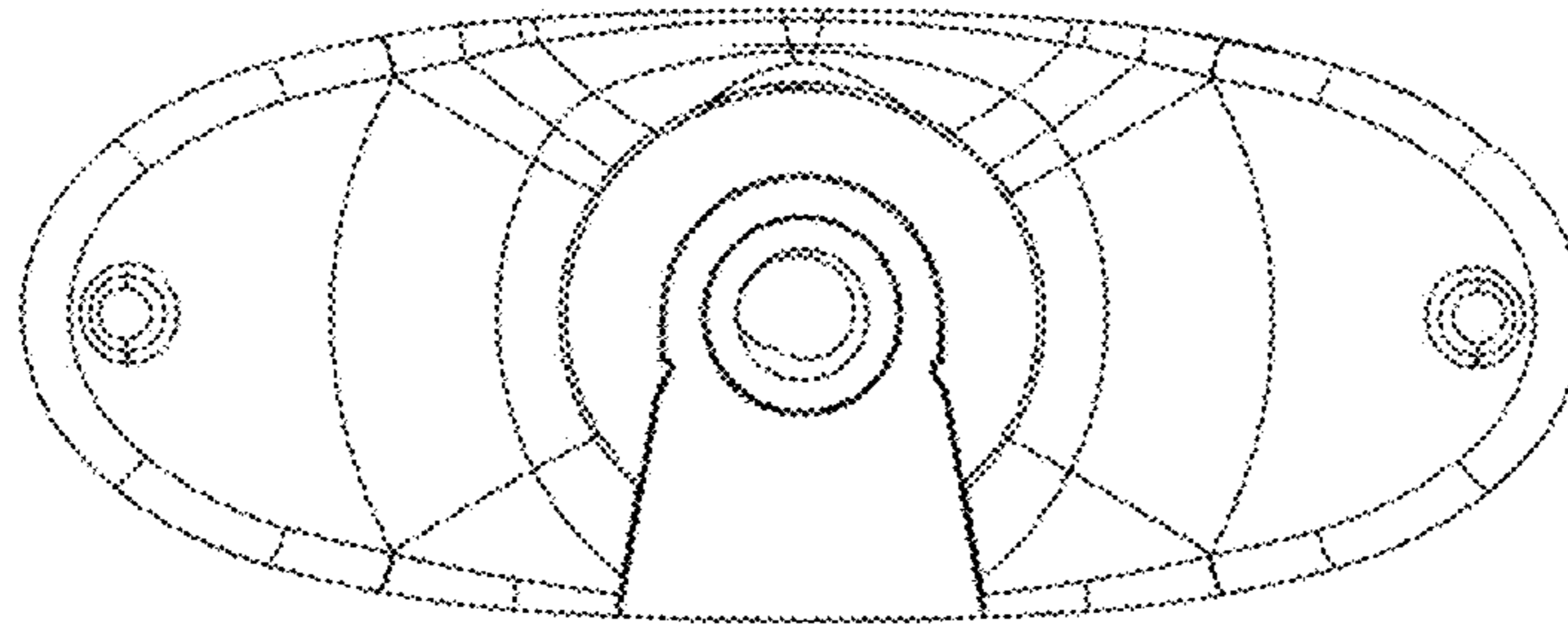


FIG. 7

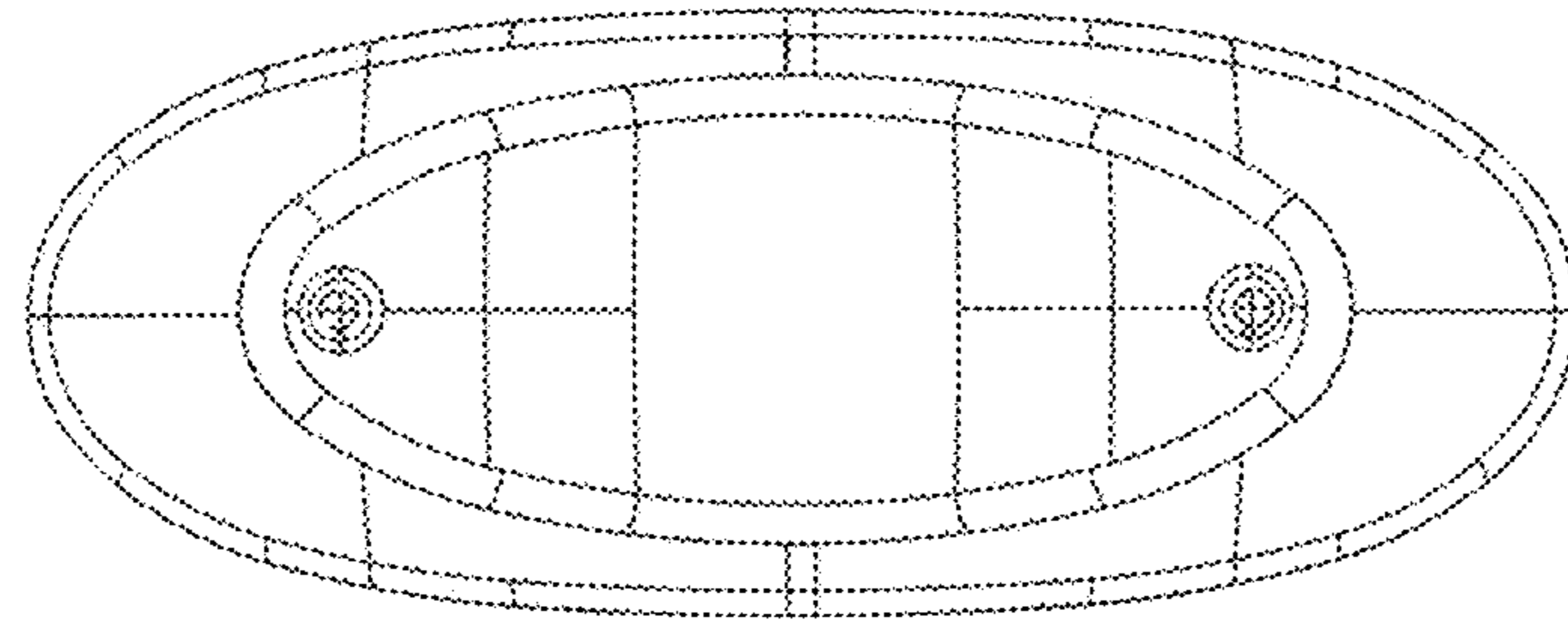


FIG. 8

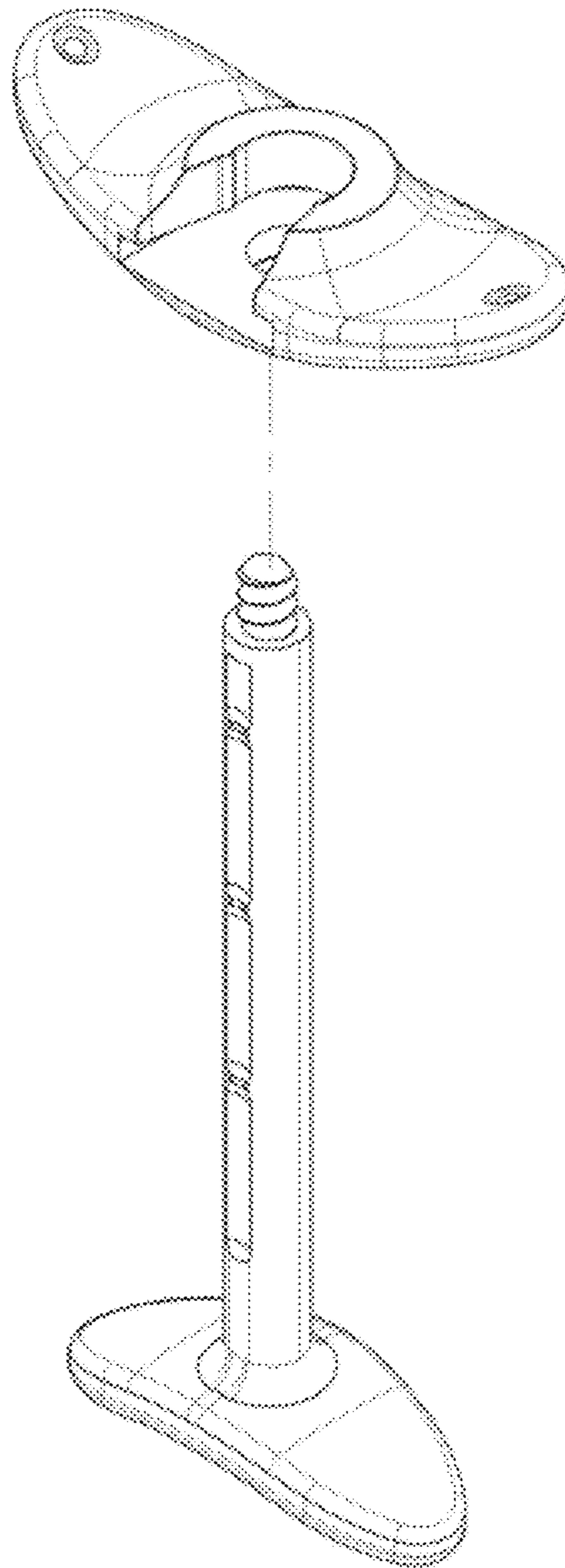


FIG. 9

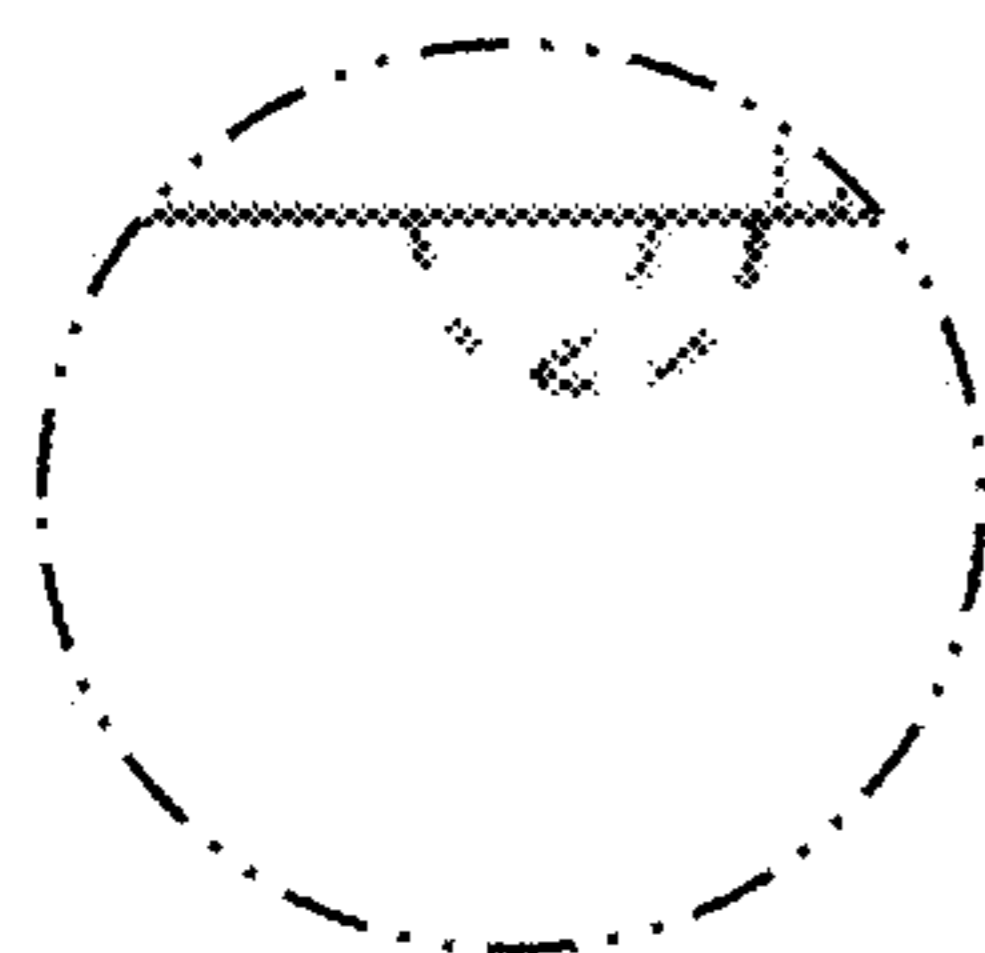


FIG. 10

