



US00D954941S

(12) **United States Design Patent**
Yuan

(10) **Patent No.:** **US D954,941 S**
(45) **Date of Patent:** **** Jun. 14, 2022**

(54) **HYALURONIC ACID PEN**

D921,196 S * 6/2021 Wang D24/133
11,052,194 B2 * 7/2021 Stefanski A61M 5/3202
11,065,392 B1 * 7/2021 Hoffer A61M 5/3202

(71) Applicant: **Mafei Yuan**, Suixi (CN)

(72) Inventor: **Mafei Yuan**, Suixi (CN)

(**) Term: **15 Years**

FOREIGN PATENT DOCUMENTS

EM 007955398-0001 * 5/2020
EM 007955398-0002 * 5/2020

(21) Appl. No.: **29/785,020**

(22) Filed: **May 24, 2021**

OTHER PUBLICATIONS

Medical Hyaluron Pen, HyaluronPen.me, Sharp brows store, [Post-date unknown], [Site seen Feb. 3, 2022], Seen at URL: <https://www.sharpbrows.store/products/medical-hyaluron-pen-1> (Year: 2022).*

(51) **LOC (13) Cl.** **24-02**

(52) **U.S. Cl.**
USPC **D24/113; D24/144**

(58) **Field of Classification Search**
USPC D24/112-114, 133, 144, 186, 127-131;
D19/115-123, 177, 193
CPC A61M 5/3156; A61M 5/31591; A61M
5/3155; A61M 5/3157; A61M 5/24;
A61M 5/31501; A61M 5/31551; A61M
5/31585

See application file for complete search history.

(Continued)

Primary Examiner — Natasha Vujcic

Assistant Examiner — Gilbert B Ford

(74) *Attorney, Agent, or Firm* — Che-Yang Chen; Law Office of Michael Chen

(56) **References Cited**

U.S. PATENT DOCUMENTS

D456,524 S	4/2002	Hehenberger	
D606,190 S *	12/2009	Pruitt	D24/113
D676,957 S *	2/2013	Schneider	D24/113
D696,771 S *	12/2013	Schneider	D24/113
D696,773 S *	12/2013	Schneider	D24/113
D697,205 S *	1/2014	Schneider	D24/113
D717,941 S *	11/2014	Mach	D24/119
D732,161 S *	6/2015	Ohashi	D24/113
10,213,559 B2 *	2/2019	Soerensen	A61M 5/31501
D862,690 S *	10/2019	Jansen	D24/113
D866,762 S *	11/2019	Lee	D24/144
D878,567 S *	3/2020	Jansen	D24/113
D888,942 S *	6/2020	Cannamela	D24/114
D903,866 S *	12/2020	Chen	D24/144
10,881,808 B2 *	1/2021	Säll	A61M 5/31568
D912,892 S *	3/2021	Tegowski	D28/7
D919,082 S *	5/2021	He	D24/112

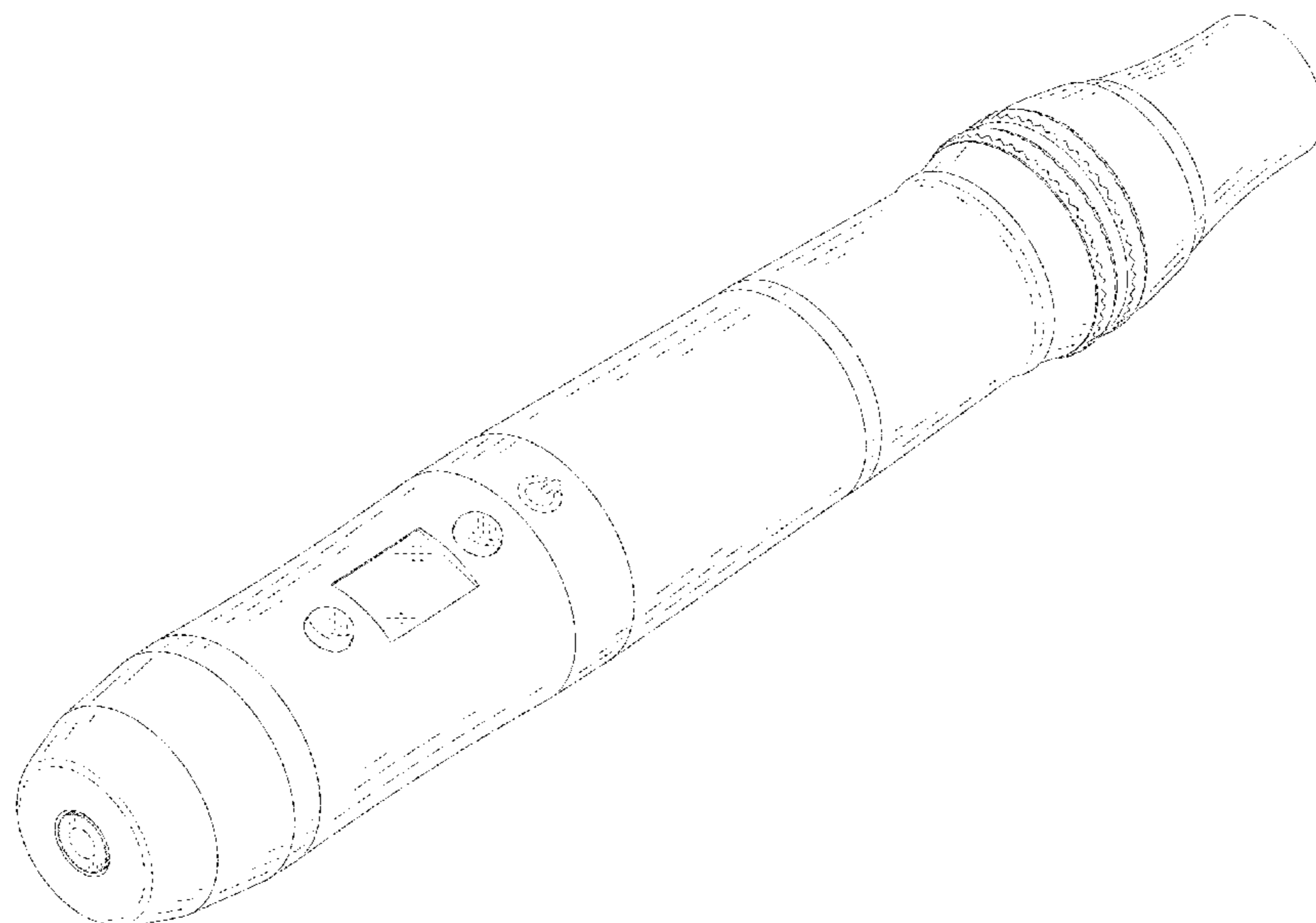
(57) **CLAIM**

I claim, the ornamental design for a hyaluronic acid pen, as shown and described.

DESCRIPTION

FIG. 1 is a perspective view of a hyaluronic acid pen showing my new design;
FIG. 2 is a front elevational view thereof;
FIG. 3 is a rear elevational view thereof;
FIG. 4 is a left side elevational view thereof;
FIG. 5 is a right side elevational view thereof;
FIG. 6 is a top plan view thereof; and,
FIG. 7 is a bottom plan view thereof.
The broken lines in the drawings illustrate the environment of the hyaluronic acid pen which forms no part of the claimed design.

1 Claim, 7 Drawing Sheets



(56)

References Cited

OTHER PUBLICATIONS

Dr.pen A6s electric microneedling derma pen, Dr. Pen, eKai Go, youtube, [Post date Dec. 27, 2020], [Site seen Feb. 3, 2022], Seen at URL: <https://www.youtube.com/watch?v=QVYIU7wMie8> (Year: 2020).*

TBPHP P20 Derma pen Microneedling Pen with LCD Display , TBPHP, Amazon, [Post date: Jul. 7, 2020], [Site seen Feb. 3, 2022], Seen at URL: https://www.amazon.ae/TBPHP-P20-Microneedling-Levels%EF%BC%8C30pcs-Cartridges/dp/B08B4XRBBX/ref=sr_1_1 (Year: 2020).*

* cited by examiner

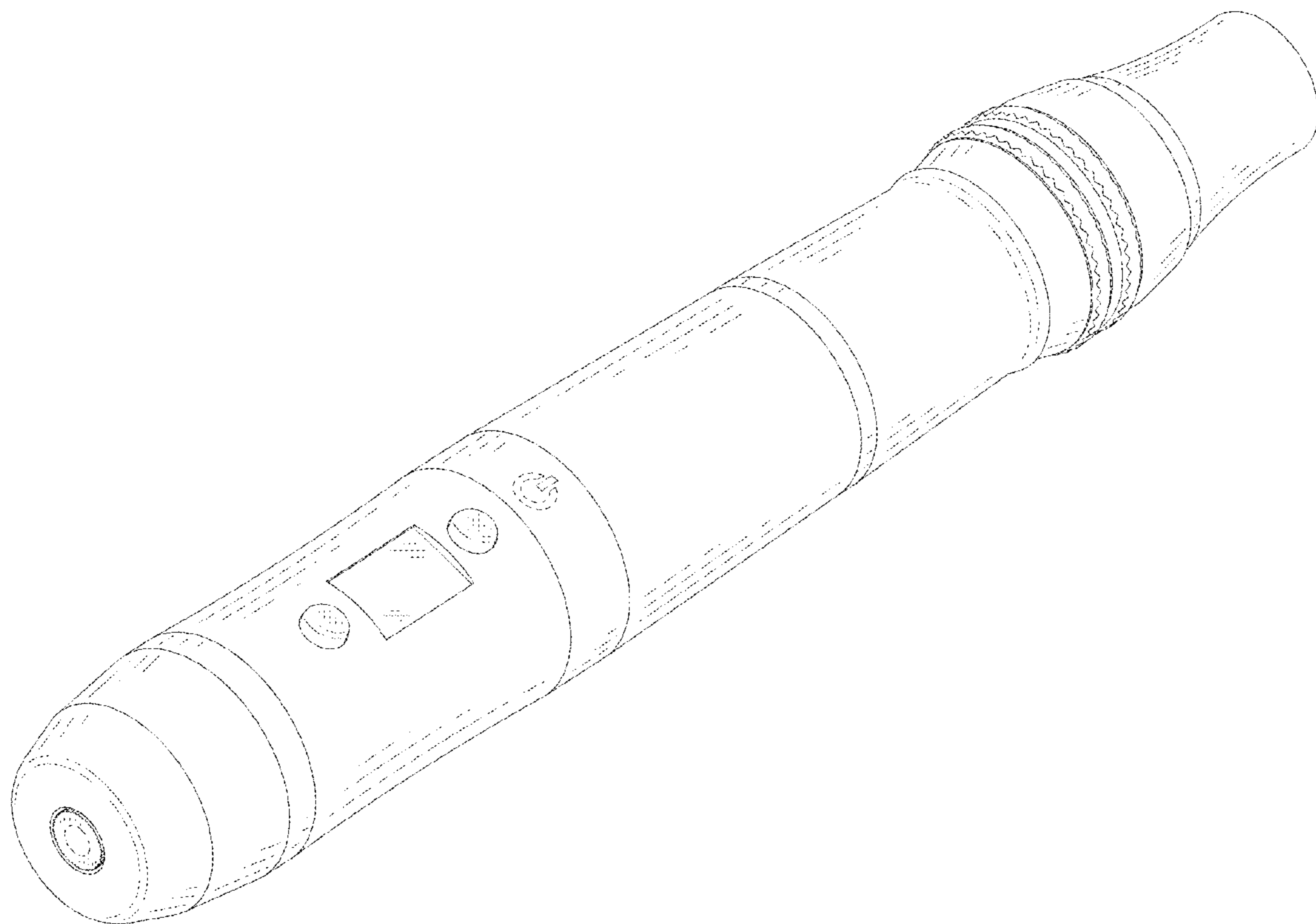


FIG.1

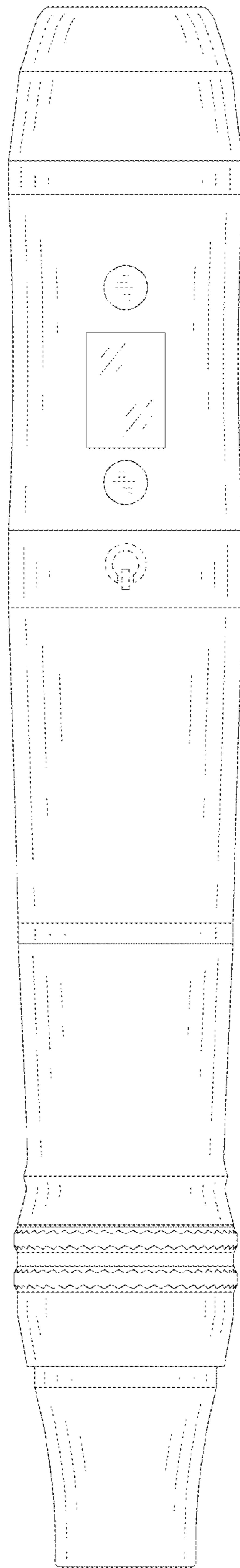


FIG. 2

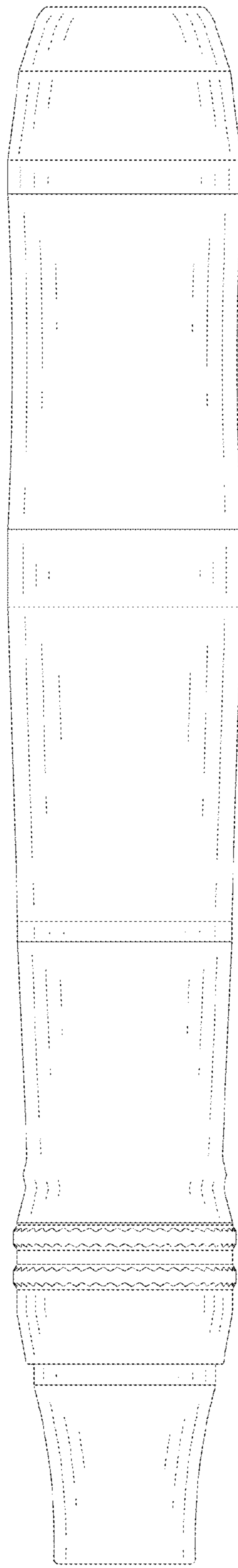


FIG. 3

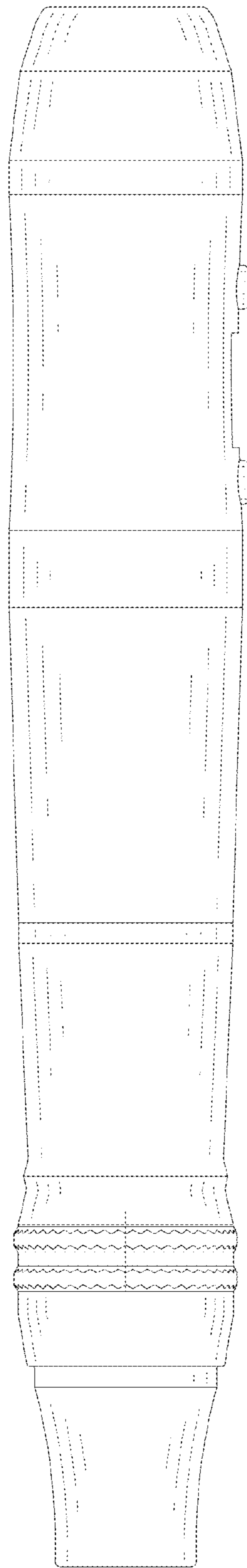


FIG. 4

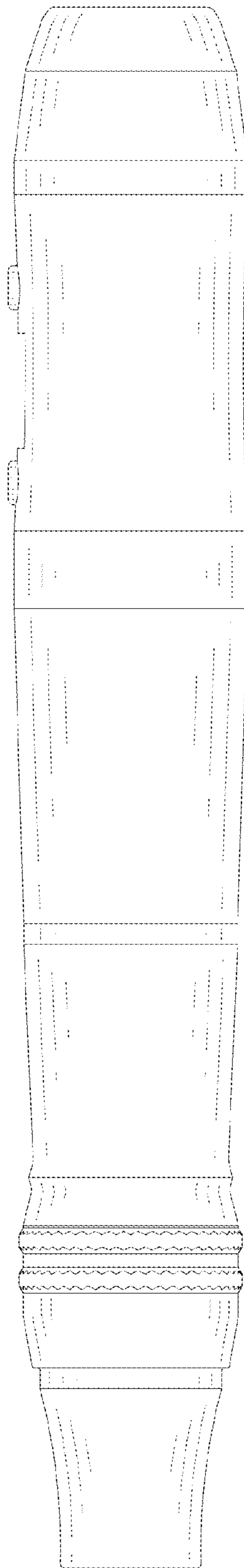


FIG. 5

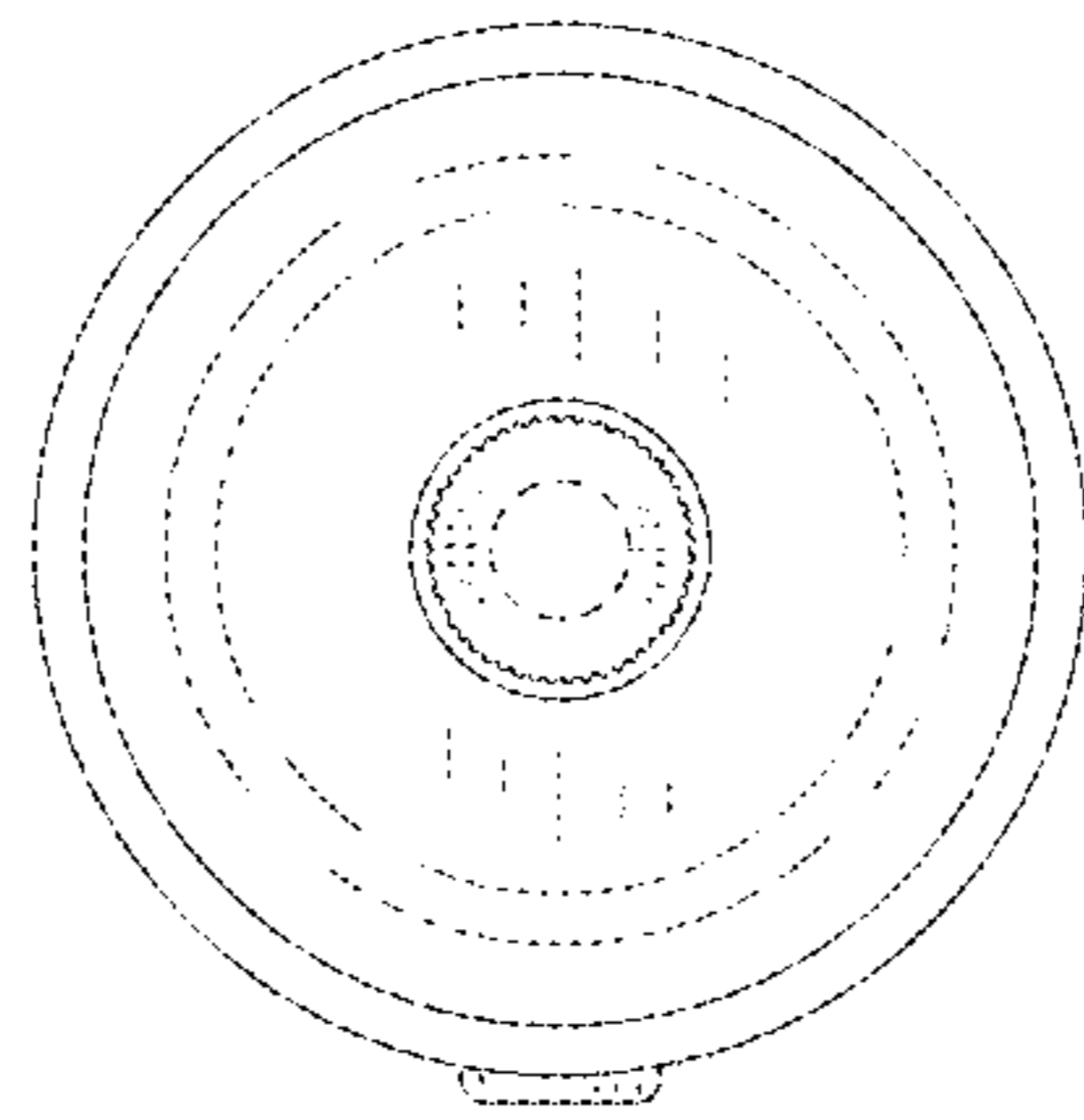


FIG. 6

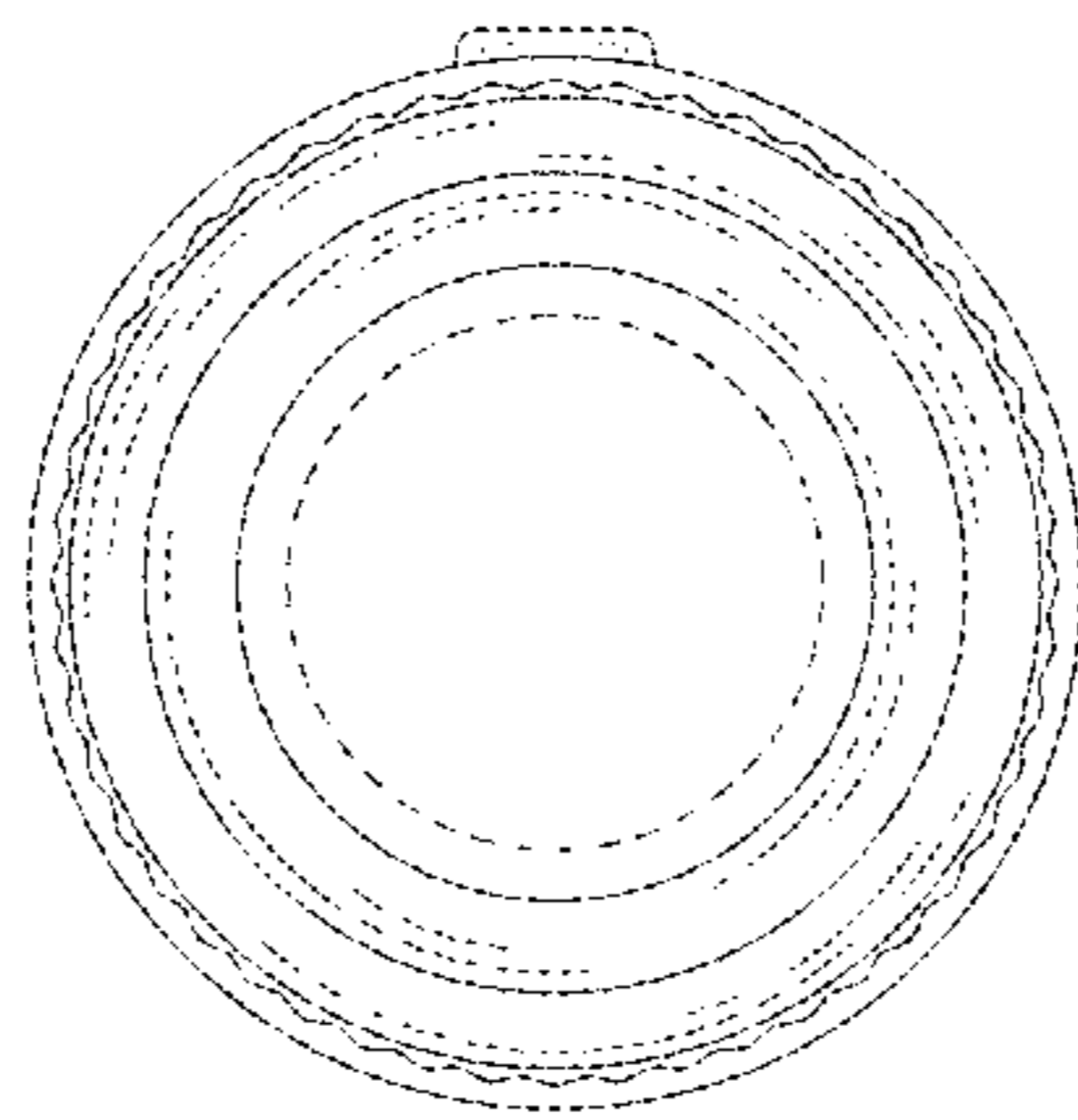


FIG. 7