



US00D954940S

(12) **United States Design Patent**  
**Vijayachandran et al.**

(10) **Patent No.:** **US D954,940 S**  
(45) **Date of Patent:** **\*\* Jun. 14, 2022**

(54) **CANNULA**

(71) Applicant: **ETHICON LLC**, Guaynabo, PR (US)

(72) Inventors: **Sajayesh Vijayachandran**, Kerala (IN);  
**Arunachalam Muthuchidambaram**,  
Tamil Nadu (IN); **Arunkumar**  
**Radhakrishnan**, Namakkal Dt (IN);  
**Rushikesh Shrikant Suryawanshi**,  
Zenda chowk Patan (IN); **Balaji**  
**Srinivasan**, Tamilnadu (IN); **Karthik**  
**Jayaraj**, Chennai (IN); **Haribaskaran**  
**Nagarathinam**, Virudhunagar (IN);  
**Giri Prasanna Kumar Mathivanan**,  
Salem (IN); **Gregory G. Scott**,  
Cincinnati, OH (US)

(73) Assignee: **Cilag GmbH International**, Zug (CH)

(\*\*) Term: **15 Years**

(21) Appl. No.: **29/733,361**

(22) Filed: **May 1, 2020**

(51) **LOC (13) Cl.** ..... **24-02**

(52) **U.S. Cl.**  
USPC ..... **D24/112; D24/146**

(58) **Field of Classification Search**  
USPC ..... D24/112, 122, 138, 146-148, 107;  
D7/649, 700; D8/93, 97, 300, 310, 311,  
D8/313; D13/133; D15/150; D19/110,  
D19/115; D23/200; 600/101, 139, 143;  
604/115, 158, 163, 263, 264, 272  
CPC .. B26B 3/00; B26B 1/10; B26B 5/005; A61B  
17/089; A61B 17/1617; A61B 17/3211;  
A61B 17/3417; A61B 17/3421; A61B  
17/3423; A61B 5/1411; A61B 17/3462;  
A61B 2017/3492; A61M 16/0672

See application file for complete search history.

(56) **References Cited**

U.S. PATENT DOCUMENTS

D173,850 S \* 1/1955 Ohno ..... D8/310  
D209,871 S \* 1/1968 Grebow ..... D9/447

(Continued)

FOREIGN PATENT DOCUMENTS

IN 310297-0001 \* 3/2018

OTHER PUBLICATIONS

[Ethicon Endo-Surgery Trocar Communications Video], YouTube.  
com, Posted Oct. 22, 2014 [online], [Nov. 24, 2021], URL: <https://  
www.youtube.com/watch?v=0V5vDqR\_CYE>. (Year: 2014).\*

*Primary Examiner* — Jonathan J Han

*Assistant Examiner* — Amanda J Berlinski

(57) **CLAIM**

The ornamental design for a cannula, as shown and described.

**DESCRIPTION**

FIG. 1 is a perspective view of a cannula embodying our new design;  
FIG. 2 is a first side view of the cannula of FIG. 1;  
FIG. 3 is a second side view of the cannula of FIG. 1;  
FIG. 4 is a third side view of the cannula of FIG. 1;  
FIG. 5 is a fourth side view of the cannula of FIG. 1;  
FIG. 6 is a top view of the cannula of FIG. 1;  
FIG. 7 is a bottom view of the cannula of FIG. 1;  
FIG. 8 is a view of the cannula of FIG. 1 shown without shading for informational purposes only, and it is understood that it and the following FIG. 9 through 14 views are the same embodiment of the design as that of FIGS. 1 through 7, but rendered without shading or contour lines;  
FIG. 9 is a first side view of the cannula of FIG. 8;

(Continued)

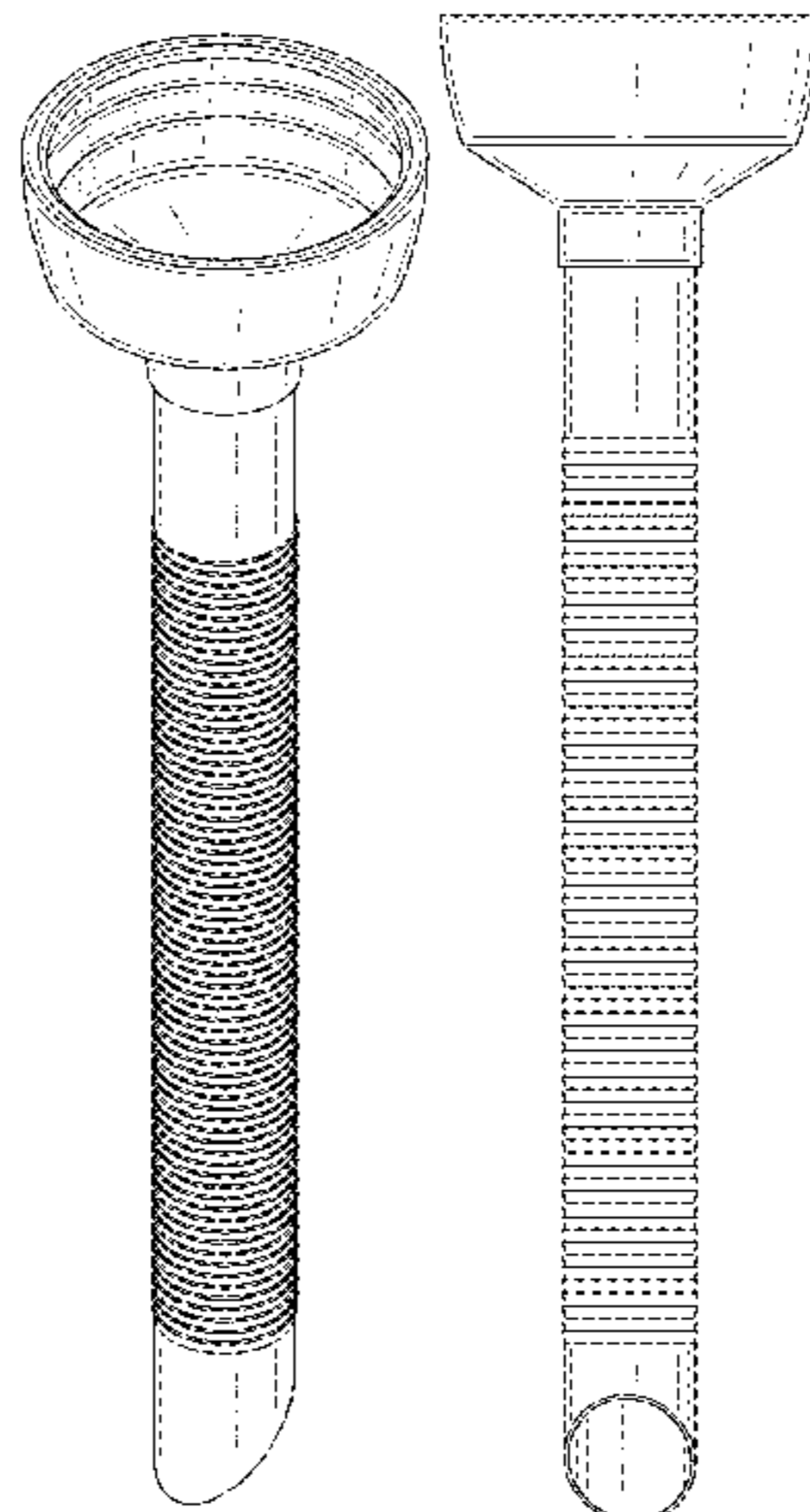


FIG. 10 is a second side view of the cannula of FIG. 8;  
 FIG. 11 is a third side view of the cannula of FIG. 8;  
 FIG. 12 is a fourth side view of the cannula of FIG. 8;  
 FIG. 13 is a top view of the cannula of FIG. 8; and,  
 FIG. 14 is a bottom view of the cannula of FIG. 8.

**1 Claim, 8 Drawing Sheets**

(56)

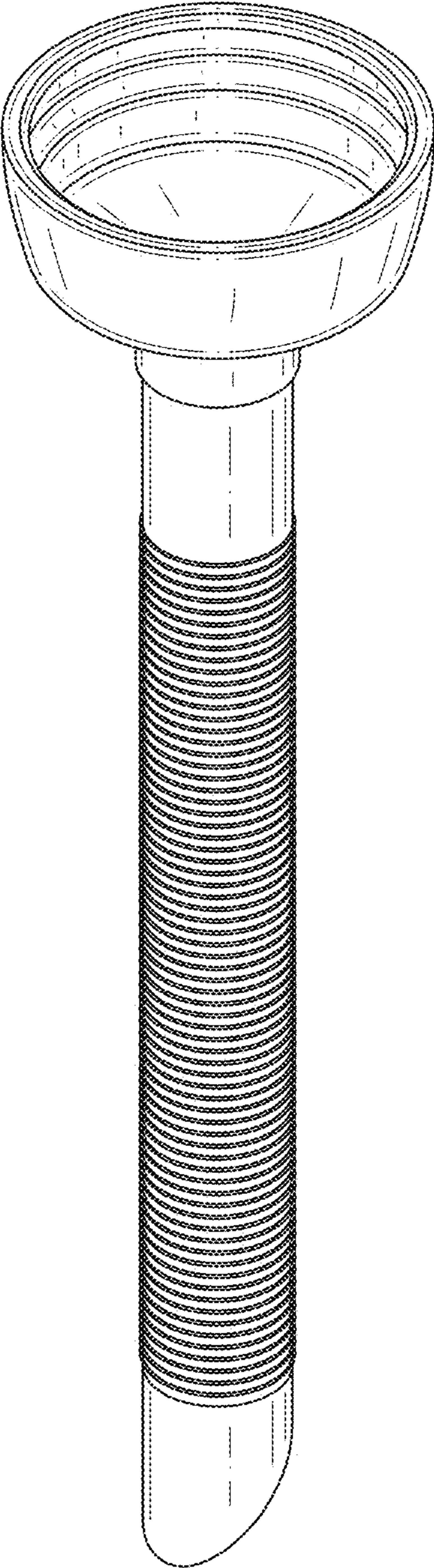
**References Cited**

U.S. PATENT DOCUMENTS

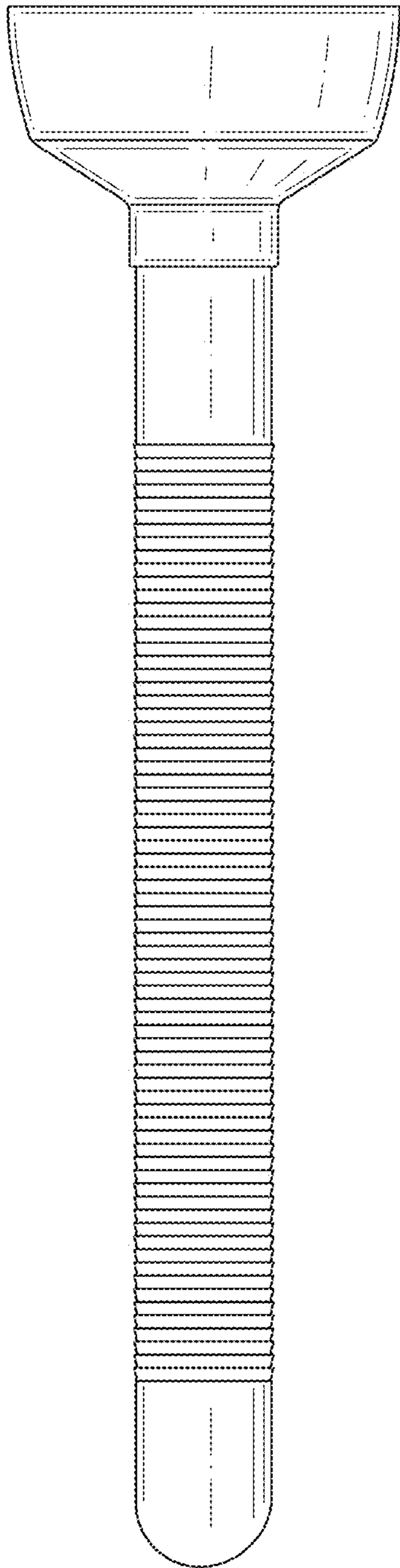
3,626,592 A \* 12/1971 La Cas et al. .... A61B 17/3213  
 30/339  
 D241,597 S \* 9/1976 Confer et al. .... D23/200  
 D271,902 S \* 12/1983 Campton ..... A61B 17/3462  
 D24/112  
 D286,566 S \* 11/1986 Vukovic ..... A61B 17/3423  
 D24/138  
 4,911,173 A \* 3/1990 Terwilliger ..... A61B 8/12  
 600/101  
 4,928,693 A \* 5/1990 Goodin ..... A61B 5/0215  
 600/434  
 D328,405 S \* 8/1992 Heiligenstein ..... D7/400  
 D340,460 S \* 10/1993 Pollak ..... D15/150  
 5,273,545 A \* 12/1993 Hunt ..... A61B 17/3498  
 137/849  
 5,391,153 A \* 2/1995 Haber ..... A61B 17/3462  
 604/167.01  
 5,674,197 A \* 10/1997 van Muiden .... A61M 25/0054  
 604/264

5,820,604 A \* 10/1998 Fox ..... A61B 17/3498  
 604/256  
 D404,462 S \* 1/1999 Otto ..... D23/200  
 5,984,904 A \* 11/1999 Steen ..... A61F 9/00745  
 604/264  
 D426,635 S \* 6/2000 Haberland ..... D24/146  
 6,461,336 B1 \* 10/2002 Larre ..... A61F 2/954  
 604/264  
 D535,748 S \* 1/2007 Wolf ..... D24/133  
 8,206,357 B2 \* 6/2012 Bettuchi ..... A61B 17/3421  
 604/167.01  
 D671,379 S \* 11/2012 Lion ..... D7/700  
 9,017,252 B2 \* 4/2015 Kleyman ..... A61B 17/3423  
 600/208  
 9,402,611 B2 \* 8/2016 Smith ..... A61B 17/0218  
 9,522,017 B2 \* 12/2016 Poll ..... A61M 13/003  
 D921,077 S \* 6/2021 Wanstead ..... D15/150  
 D923,169 S \* 6/2021 McCool ..... D24/110  
 D938,018 S \* 12/2021 Kim ..... D24/112  
 2008/0086074 A1 \* 4/2008 Taylor ..... A61B 1/0008  
 604/26  
 2010/0168684 A1 \* 7/2010 Ryan ..... A61B 17/3403  
 604/272  
 2015/0031958 A1 \* 1/2015 Kleyman ..... A61B 17/3462  
 600/204  
 2015/0123355 A1 \* 5/2015 Castro ..... F16J 15/022  
 277/648  
 2017/0007296 A1 \* 1/2017 Dannaher ..... A61B 17/34  
 2017/0245888 A1 \* 8/2017 Buyda ..... A61B 17/00234  
 2018/0021061 A1 \* 1/2018 Reid ..... A61B 17/3423  
 600/210  
 2018/0228510 A1 \* 8/2018 Holsten ..... A61B 17/3462  
 2021/0100964 A1 \* 4/2021 Geisz ..... A61B 17/3417  
 2021/0338281 A1 \* 11/2021 Mozloom, Jr. .... A61B 17/3494

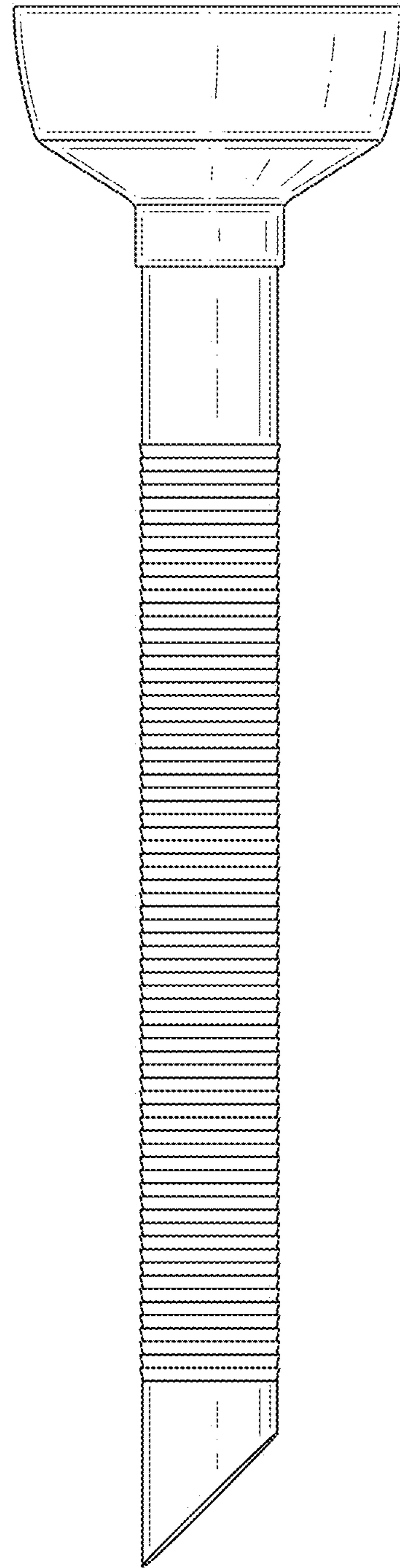
\* cited by examiner



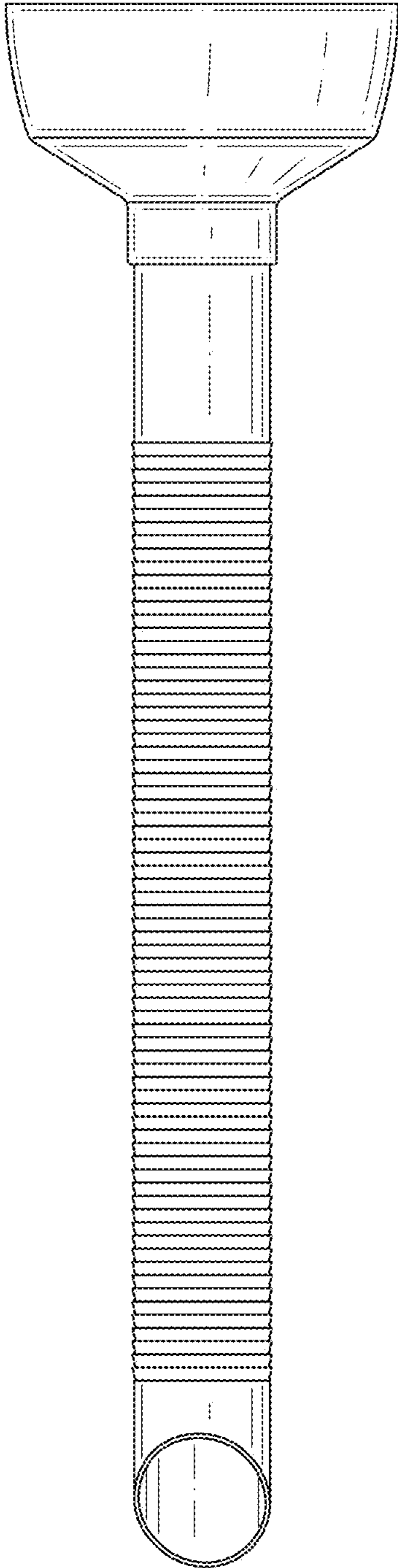
**FIG. 1**



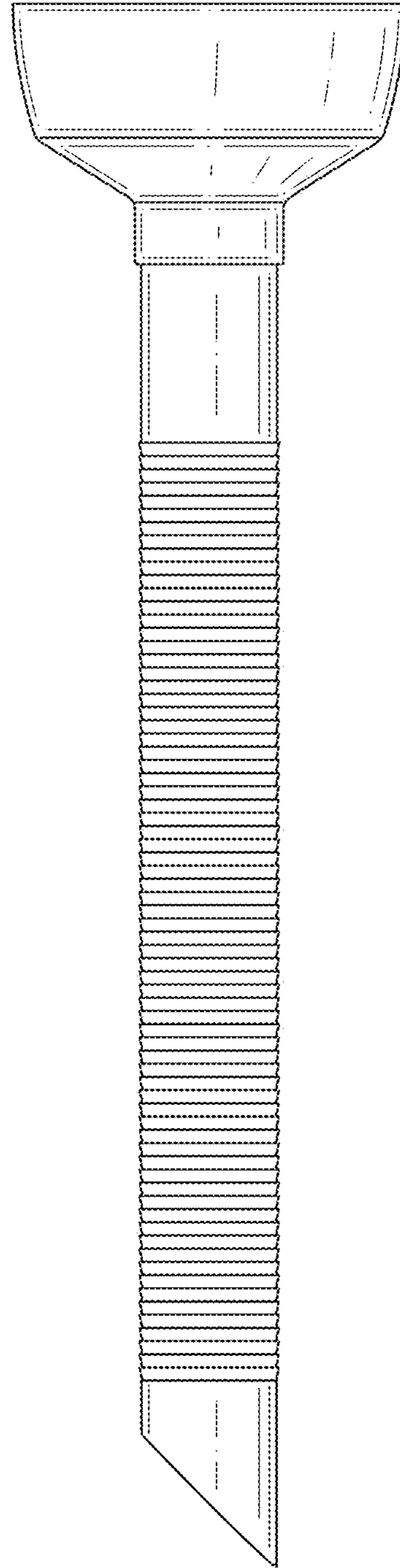
**FIG. 2**



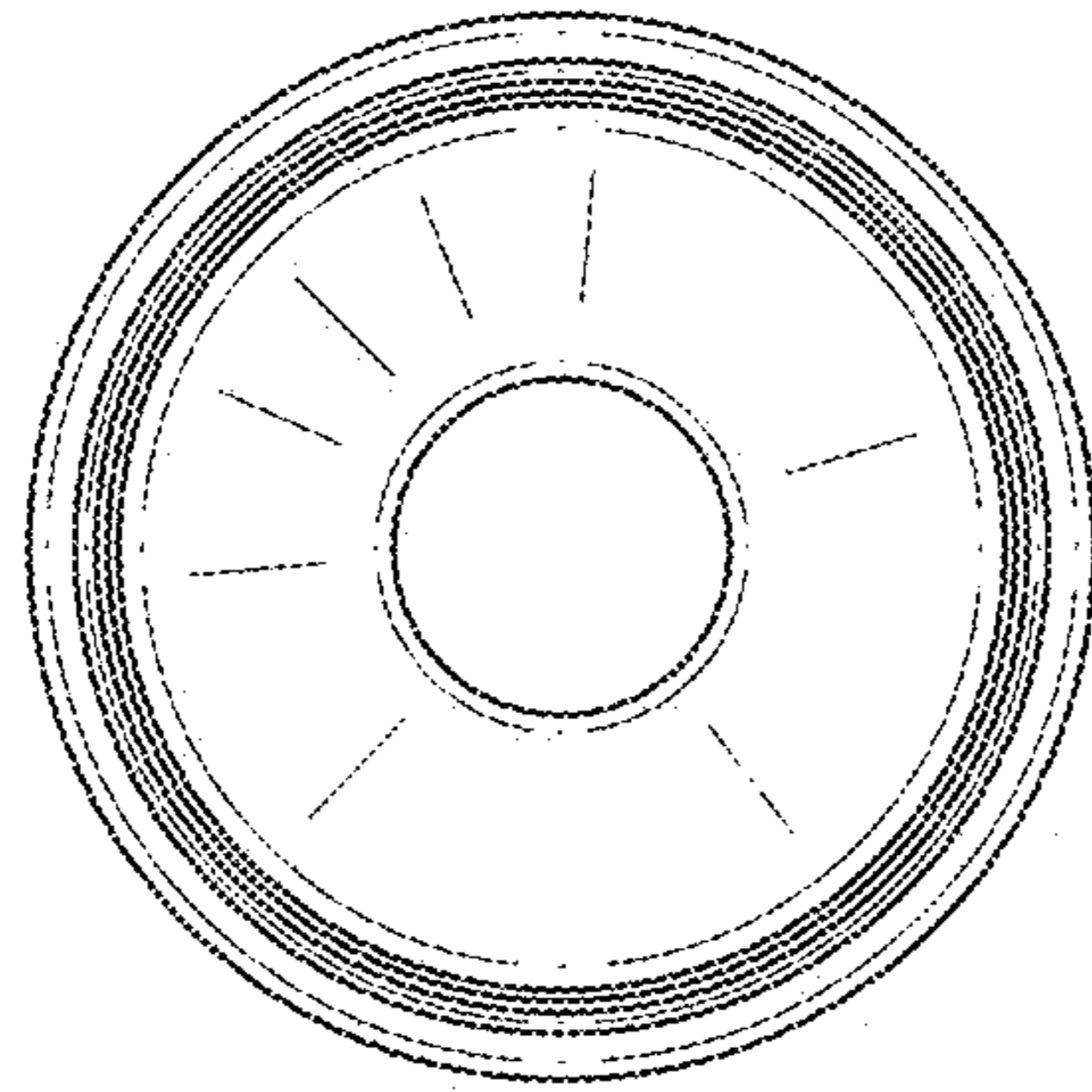
**FIG. 3**



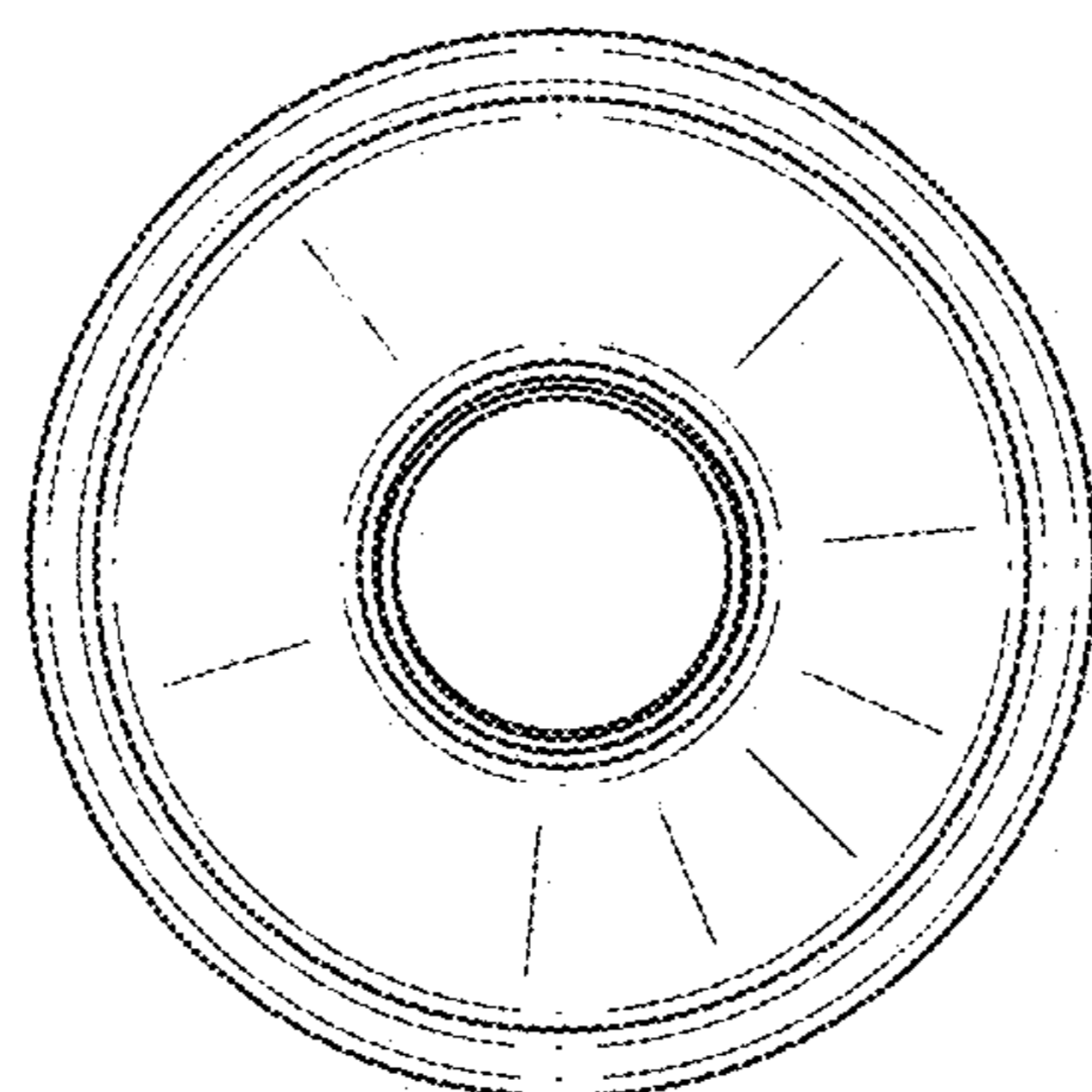
**FIG. 4**



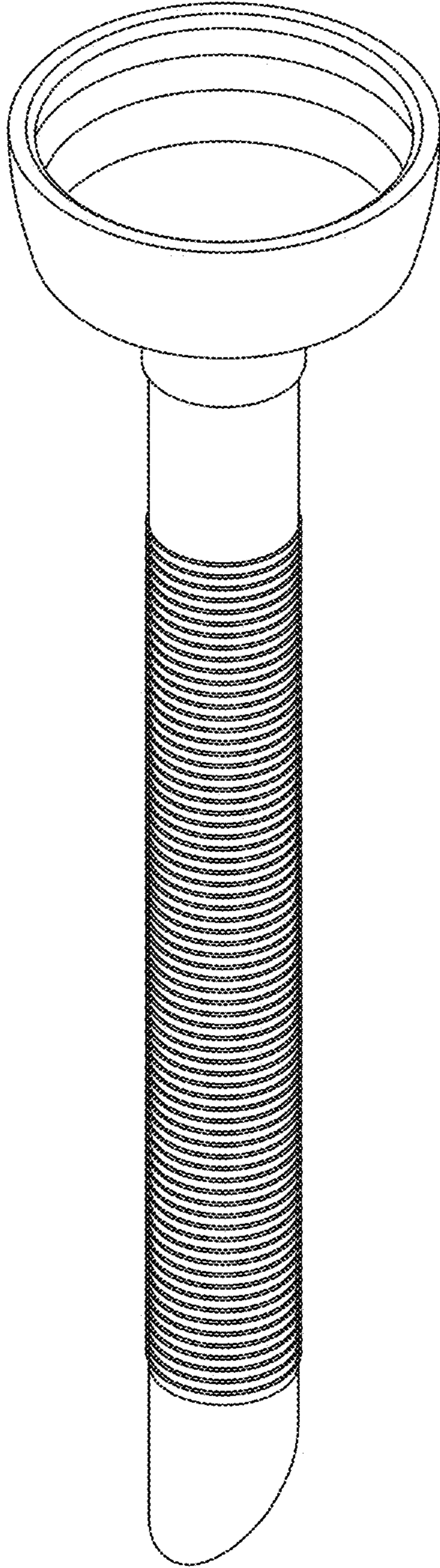
**FIG. 5**



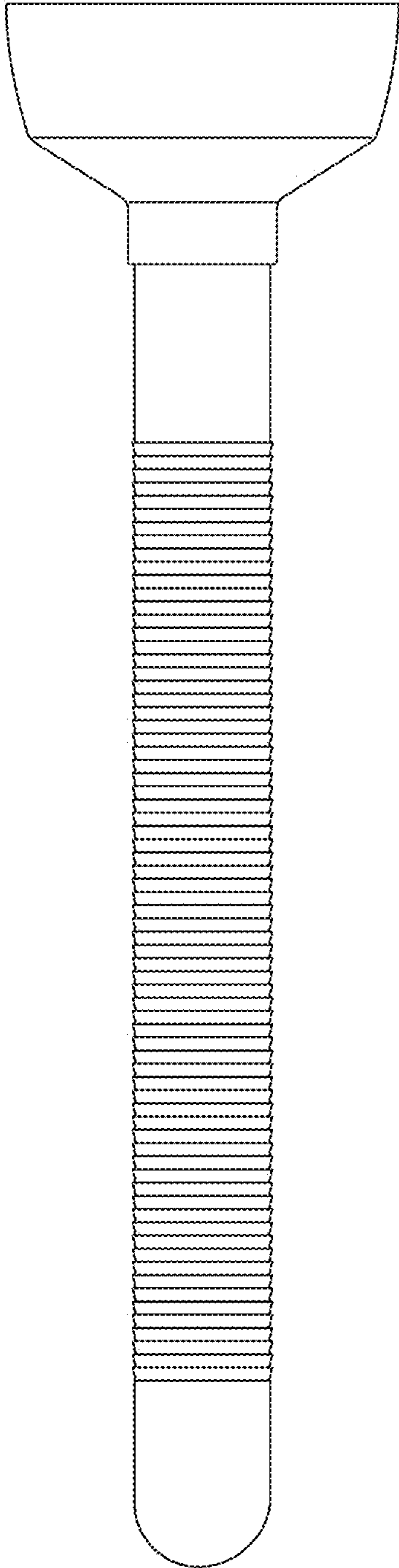
**FIG. 6**



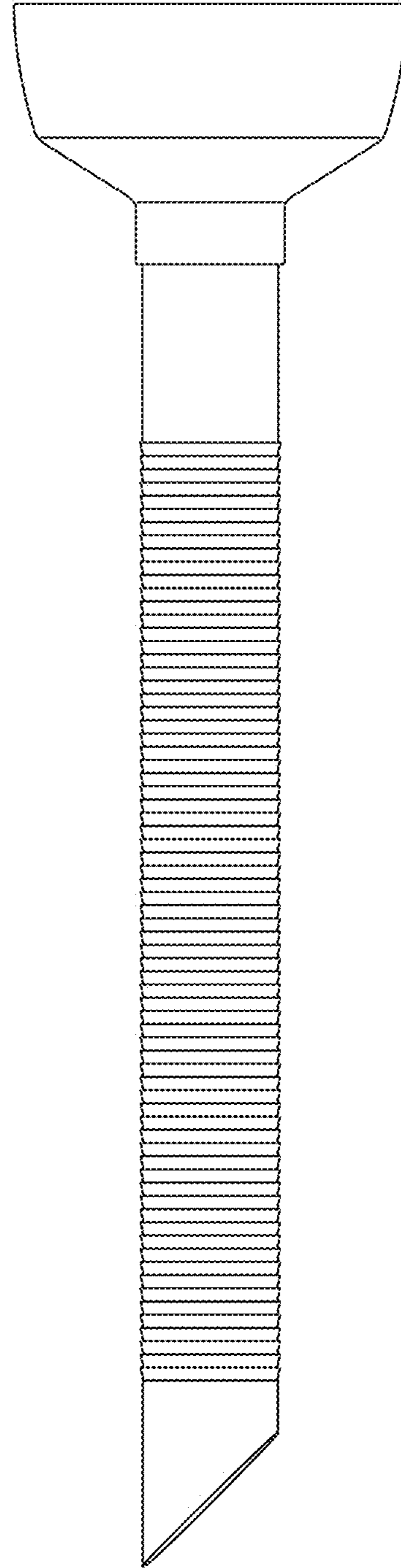
**FIG. 7**



**FIG. 8**

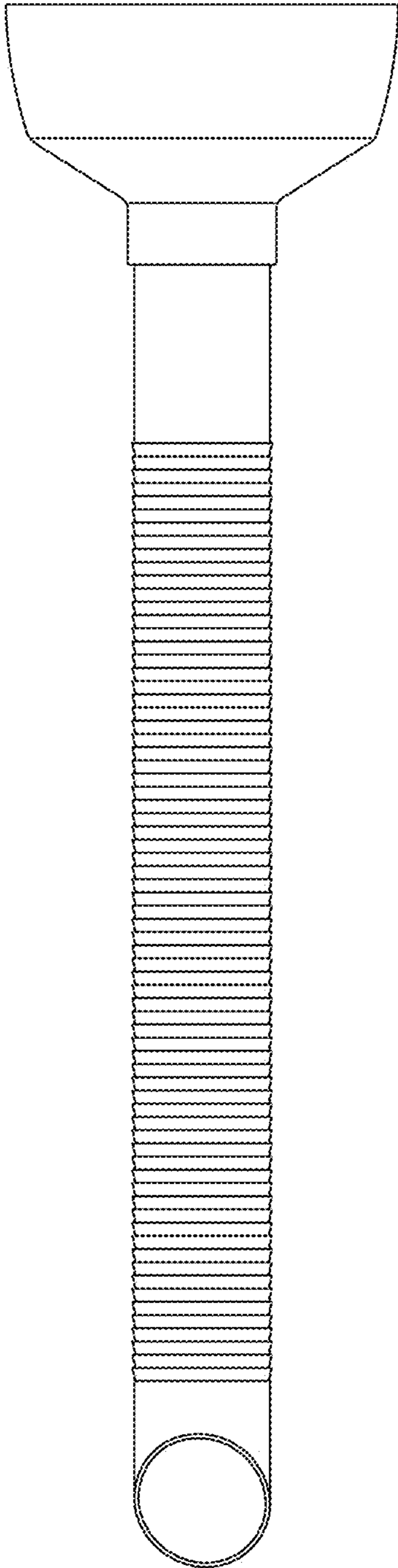


**FIG. 9**

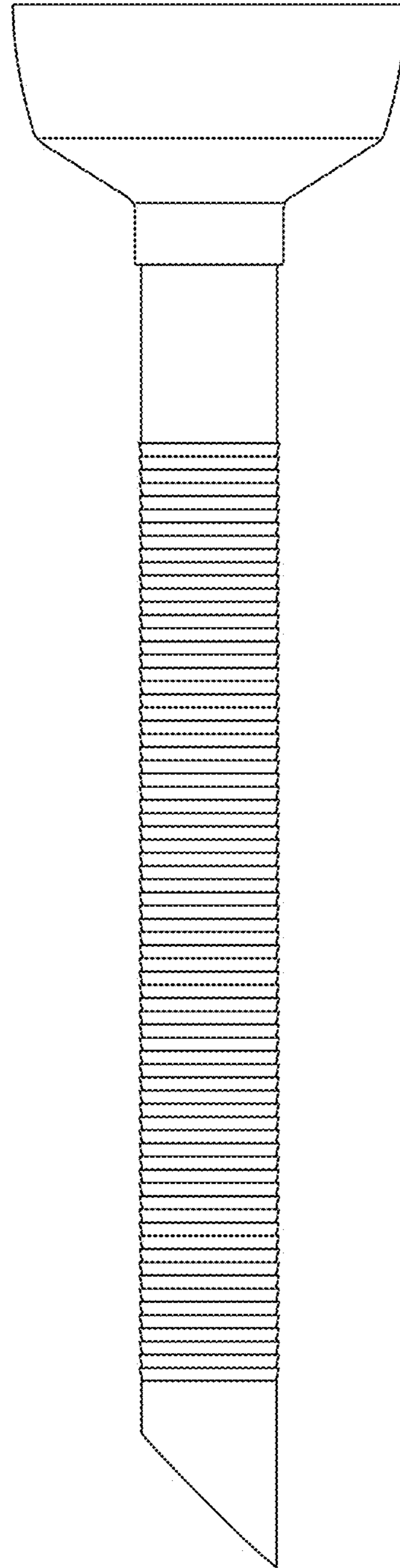


**FIG. 10**

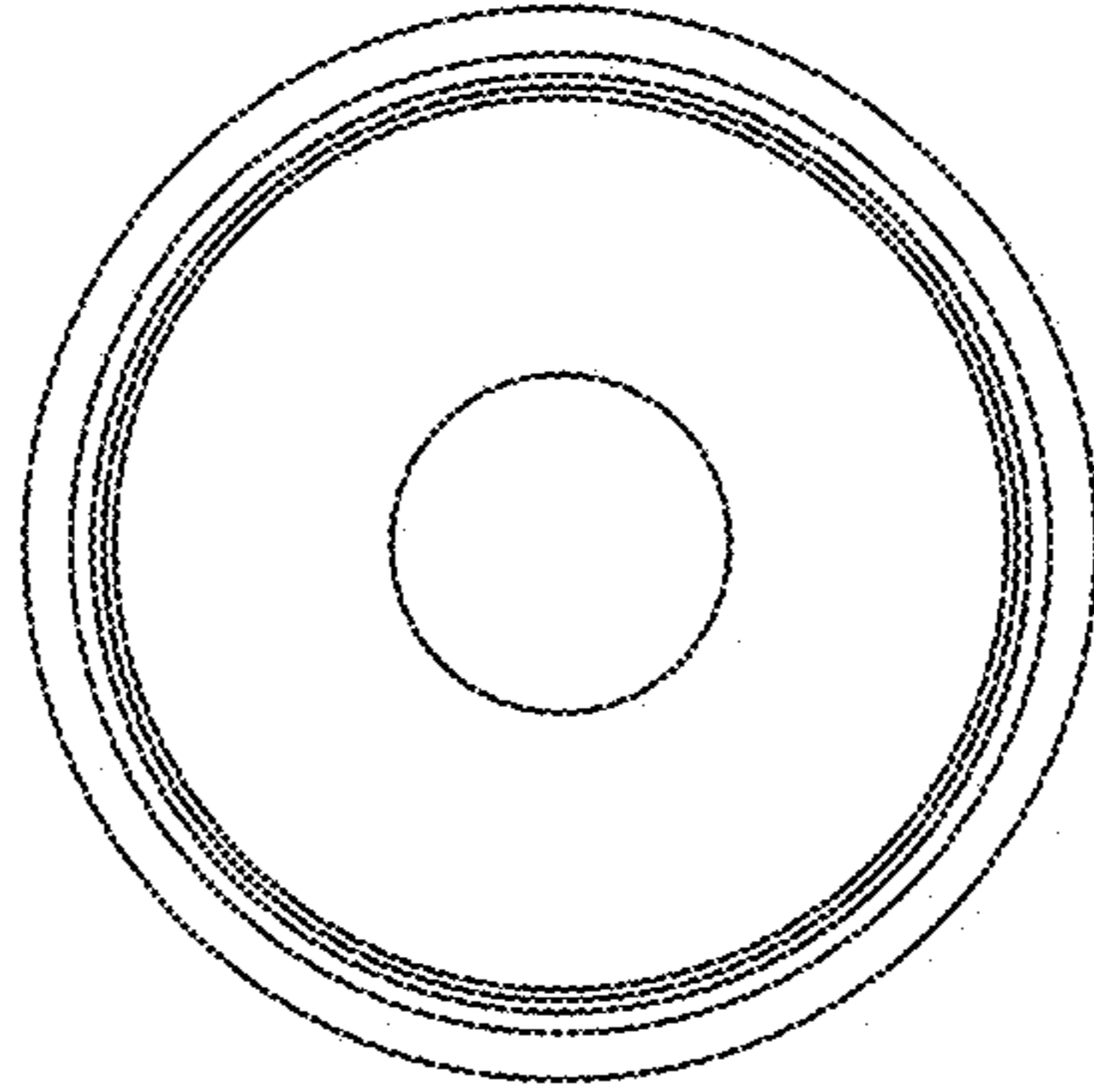




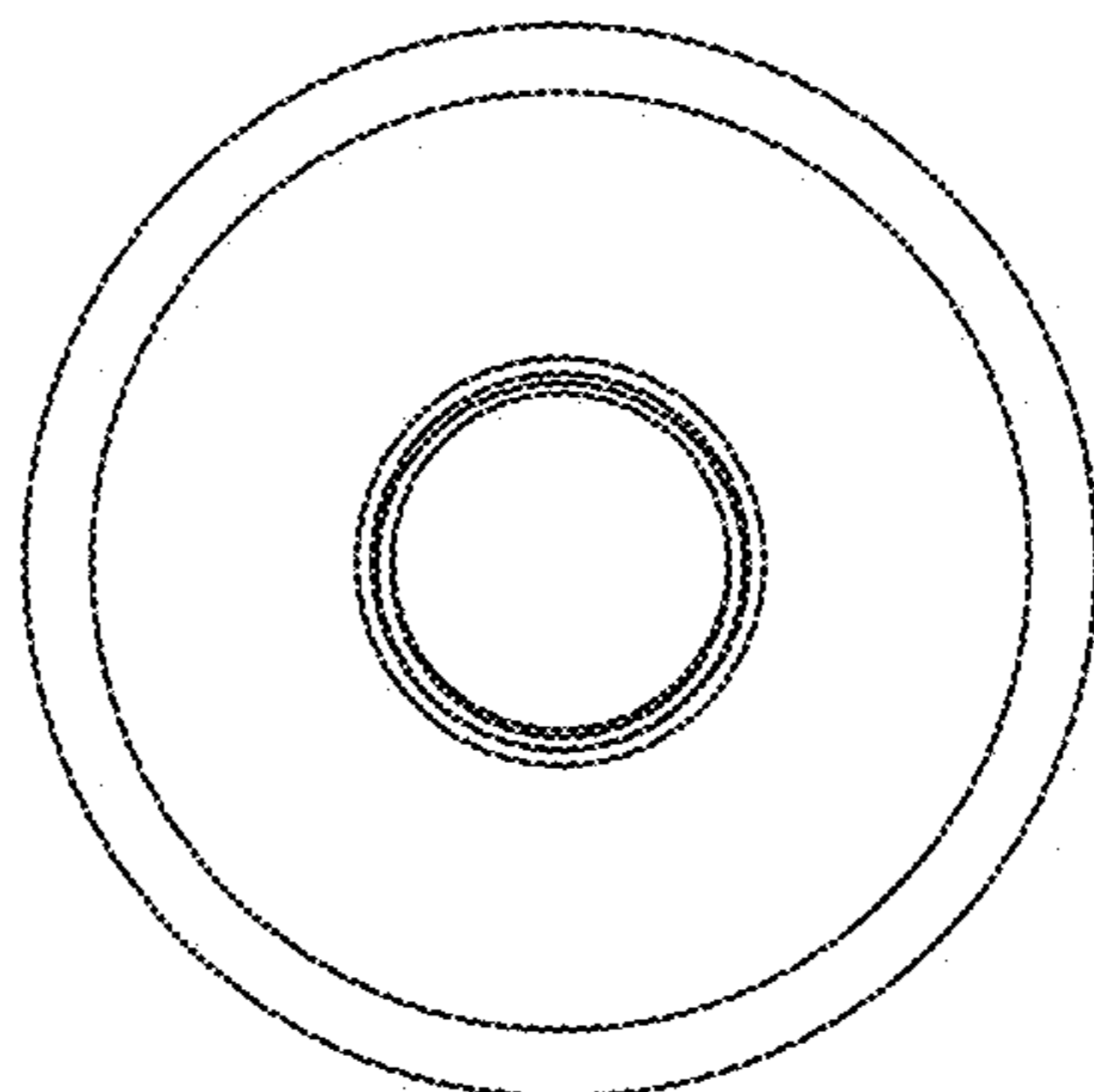
**FIG. 11**



**FIG. 12**



**FIG. 13**



**FIG. 14**