



US00D954939S

(12) **United States Design Patent**
Liang

(10) **Patent No.:** **US D954,939 S**

(45) **Date of Patent:** **** Jun. 14, 2022**

(54) **ORAL IRRIGATOR AND CHARGING BASE ASSEMBLY**

(71) Applicant: **Shenzhen Luokeluo Trading Co., Ltd., Shenzhen (CN)**

(72) Inventor: **Bodai Liang, Guangdong (CN)**

(**) Term: **15 Years**

(21) Appl. No.: **29/783,892**

(22) Filed: **May 17, 2021**

(30) **Foreign Application Priority Data**

Jan. 30, 2021 (CN) 202130084876.X

(51) **LOC (13) Cl.** **28-03**

(52) **U.S. Cl.**
USPC **D24/111**

(58) **Field of Classification Search**
USPC D24/107, 108, 111, 152, 176;
D4/100-102, 110, 111, 114, 138;
D13/108; 433/80; 601/162
CPC A61C 17/0202; A61C 17/028; A61C
17/0205; A61C 17/0092; A61C 17/02
See application file for complete search history.

(56) **References Cited**

U.S. PATENT DOCUMENTS

D197,763 S *	3/1964	Aymar	D4/101
D454,695 S *	3/2002	Greene	D13/108
D509,585 S *	9/2005	Kling	D24/111
D761,567 S *	7/2016	Uchida	D4/101
D771,951 S *	11/2016	Reishus	D4/100
D778,433 S *	2/2017	Li	D24/111
D806,229 S *	12/2017	Uchida	D24/111
D855,567 S *	8/2019	Cai	D13/108
D865,180 S *	10/2019	Bauer	D24/176
D873,031 S *	1/2020	Martensson	D4/138
D889,637 S *	7/2020	Yuan	D24/111

D895,981 S *	9/2020	Rennette	D4/138
D896,366 S *	9/2020	Yuan	D24/111
D907,195 S *	1/2021	Li	D24/111
D908,208 S	1/2021	He	
D911,713 S *	3/2021	Okai	D4/101
D913,484 S *	3/2021	Li	D24/111
D922,565 S *	6/2021	Wang	A61C 1/088
				D24/111
D933,201 S *	10/2021	Zhou	A61C 15/00
				D24/111
D936,211 S *	11/2021	Yu	A61C 17/28
				D24/111
D939,438 S *	12/2021	Hu	D13/108
D941,461 S *	1/2022	Song	D24/111
2016/0081779 A1 *	3/2016	Lin	A61C 17/28
				433/82

(Continued)

Primary Examiner — Jonathan J Han
Assistant Examiner — Amanda J Berlinski

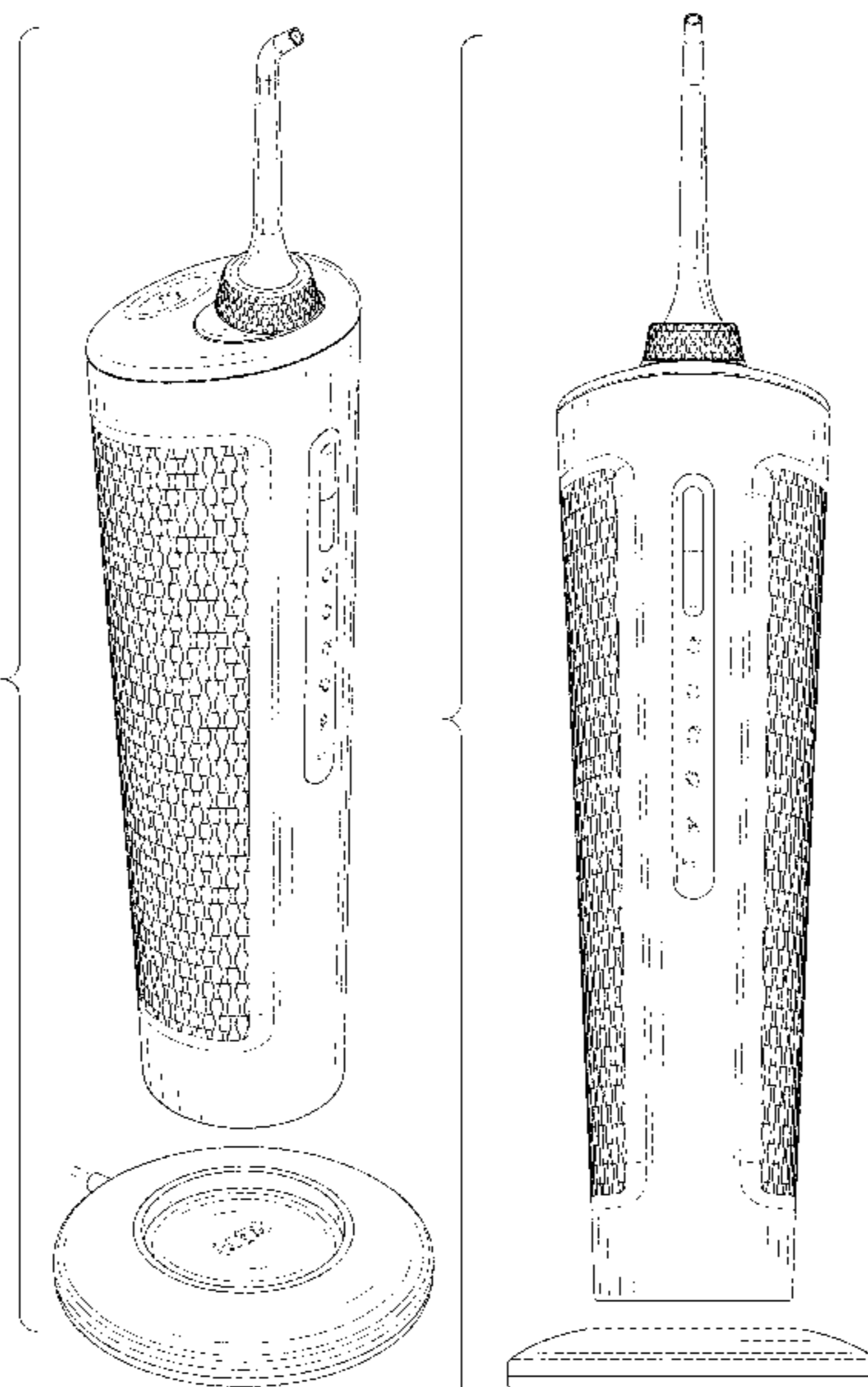
(57) **CLAIM**

The ornamental design for an oral irrigator and charging base assembly, as shown and described.

DESCRIPTION

FIG. 1 is an exploded front and top perspective view of an oral irrigator and charging base assembly, showing my new design;
FIG. 2 is an exploded rear and bottom perspective view thereof;
FIG. 3 is an exploded front elevation view thereof;
FIG. 4 is an exploded rear elevation view thereof;
FIG. 5 is an exploded left side elevation view thereof;
FIG. 6 is an exploded right side elevation view thereof;
FIG. 7 is a top plan view thereof; and,
FIG. 8 is a bottom plan view thereof.
The broken lines in the figures illustrate portions of the oral irrigator and charging base assembly that form no part of the claimed design.

1 Claim, 8 Drawing Sheets



(56)

References Cited

U.S. PATENT DOCUMENTS

2020/0214814 A1* 7/2020 Yuan A61C 15/00
2021/0059785 A1* 3/2021 Yu A61C 1/088

* cited by examiner

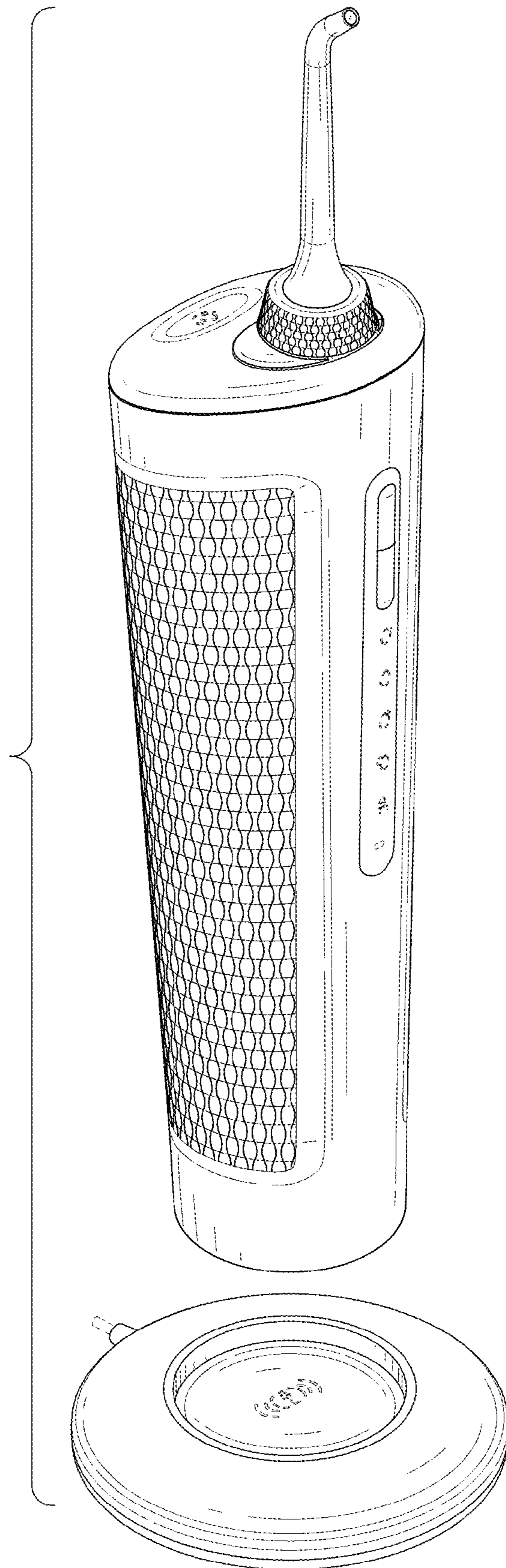


FIG. 1

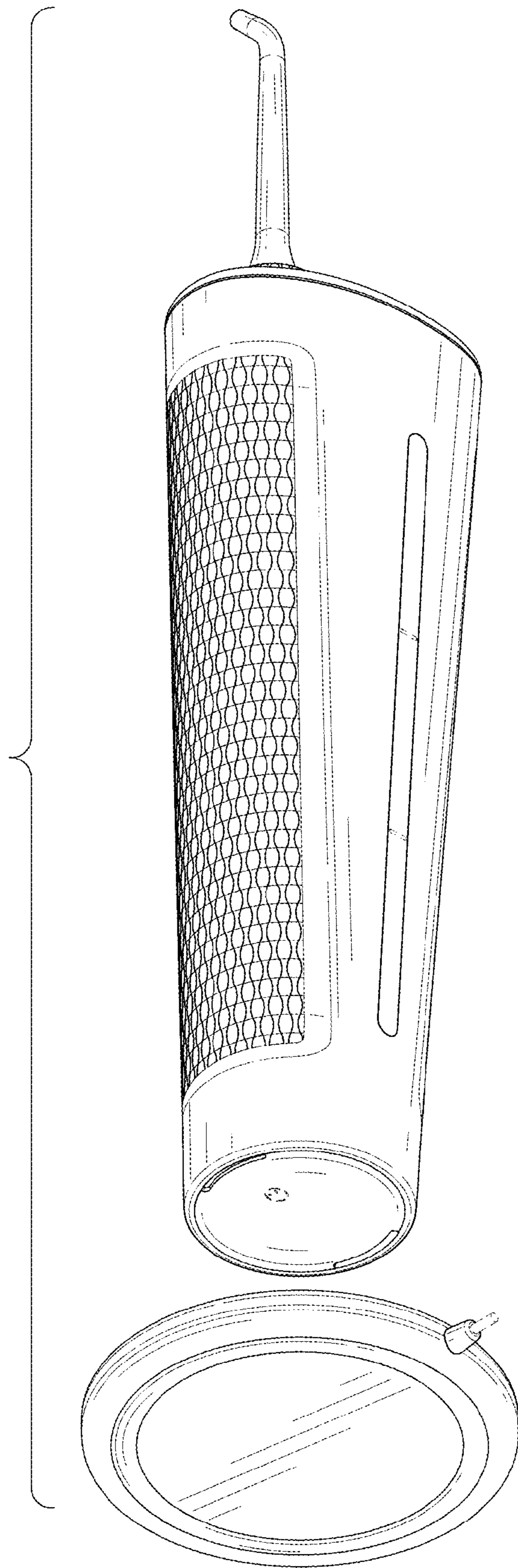


FIG. 2

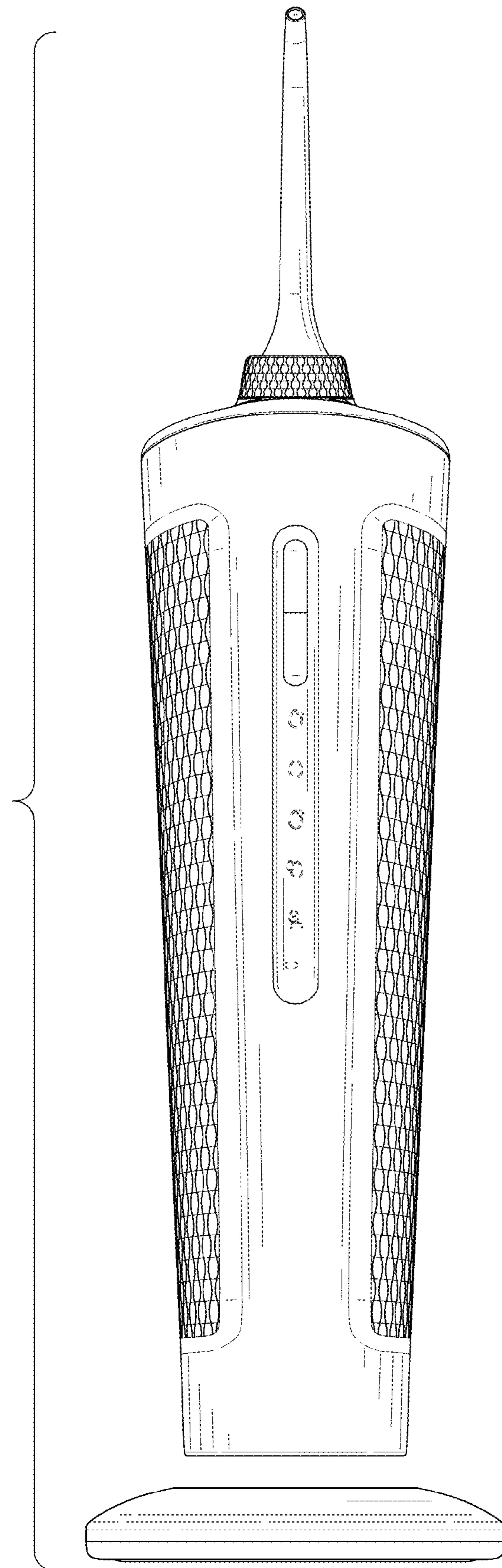


FIG. 3

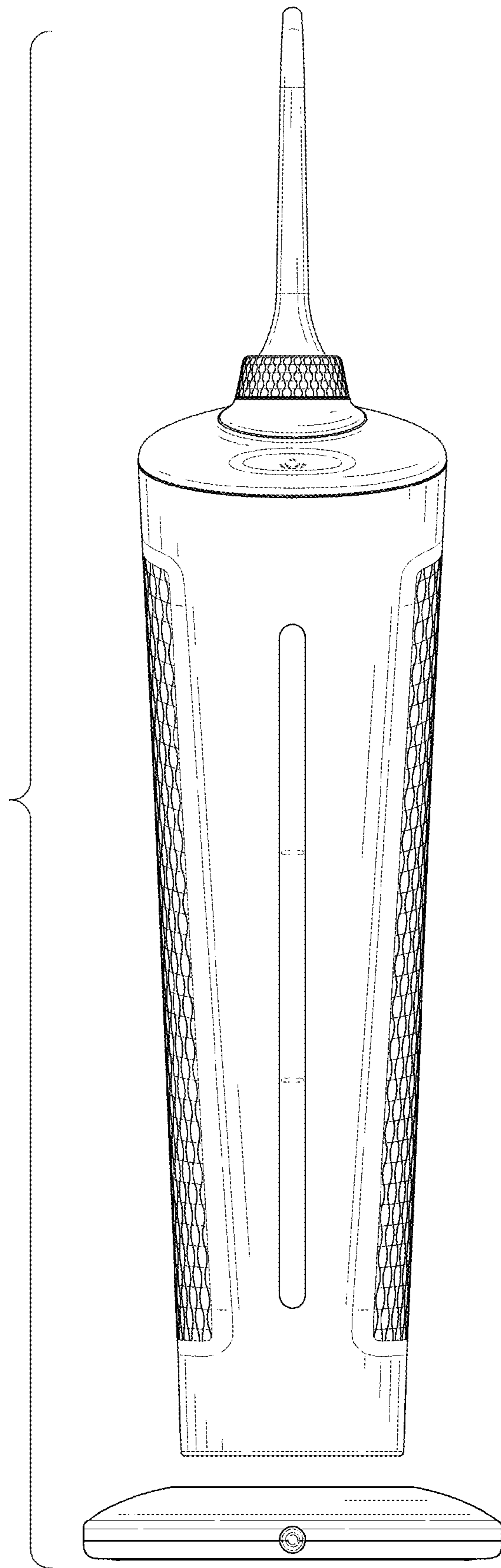


FIG. 4

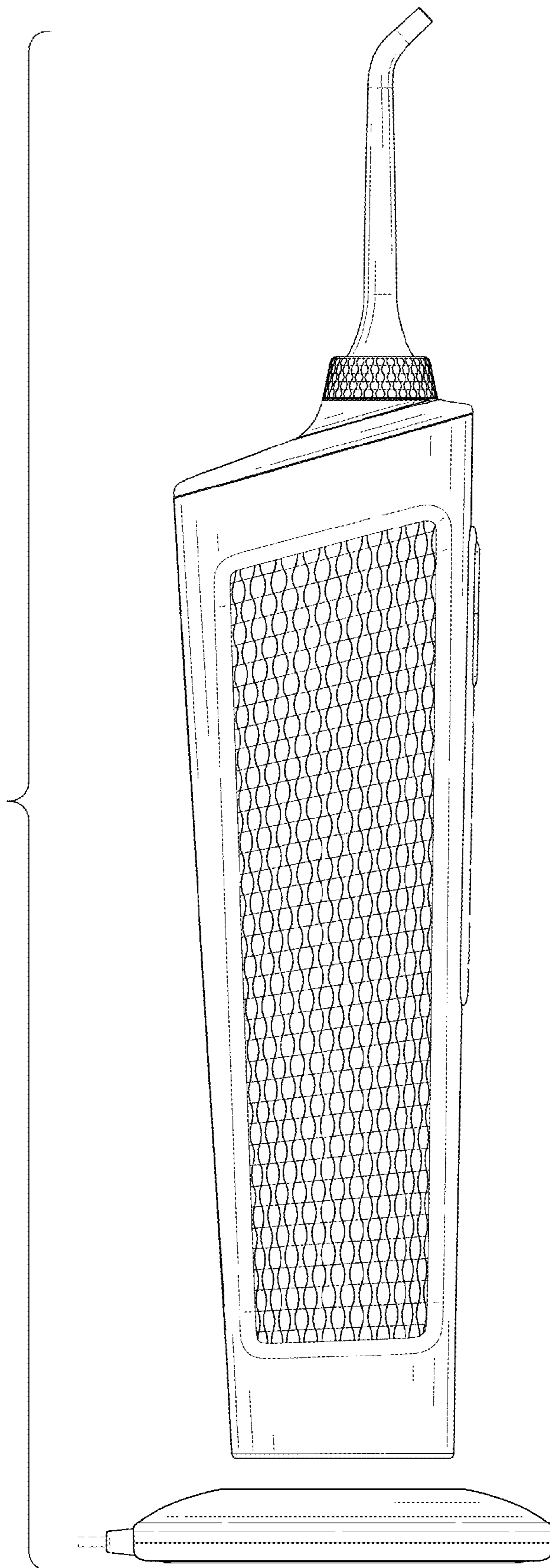


FIG. 5

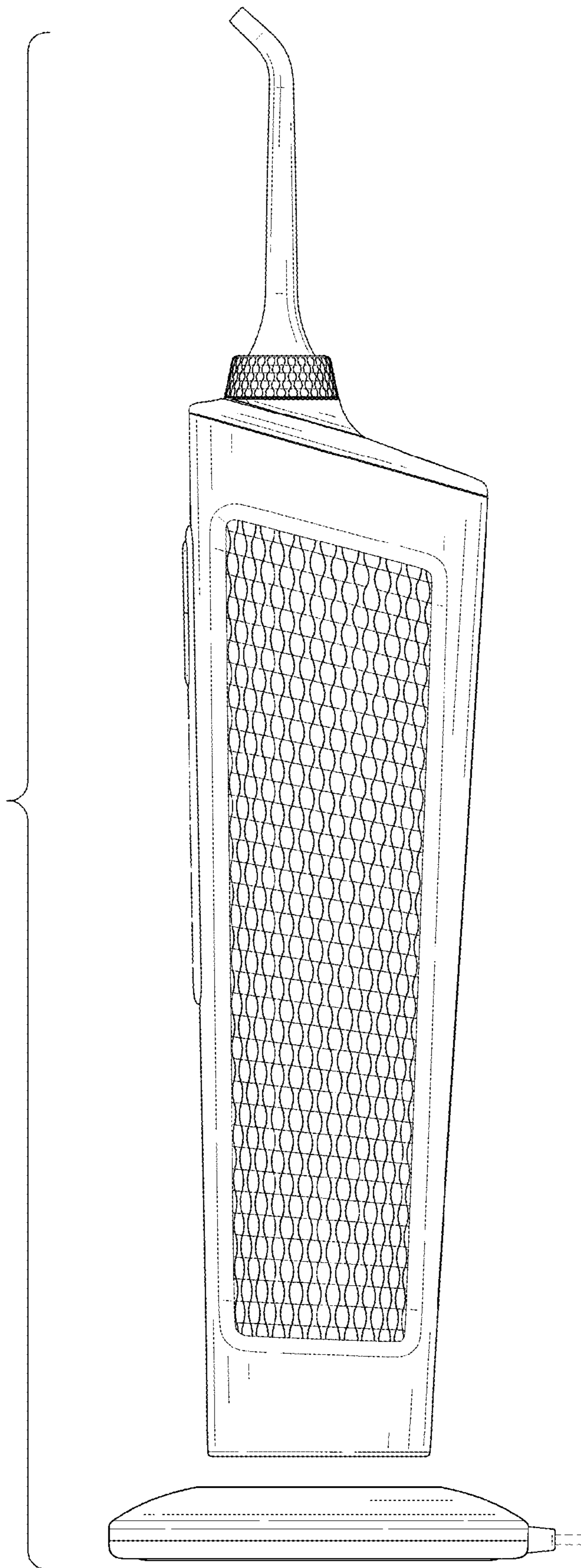


FIG. 6

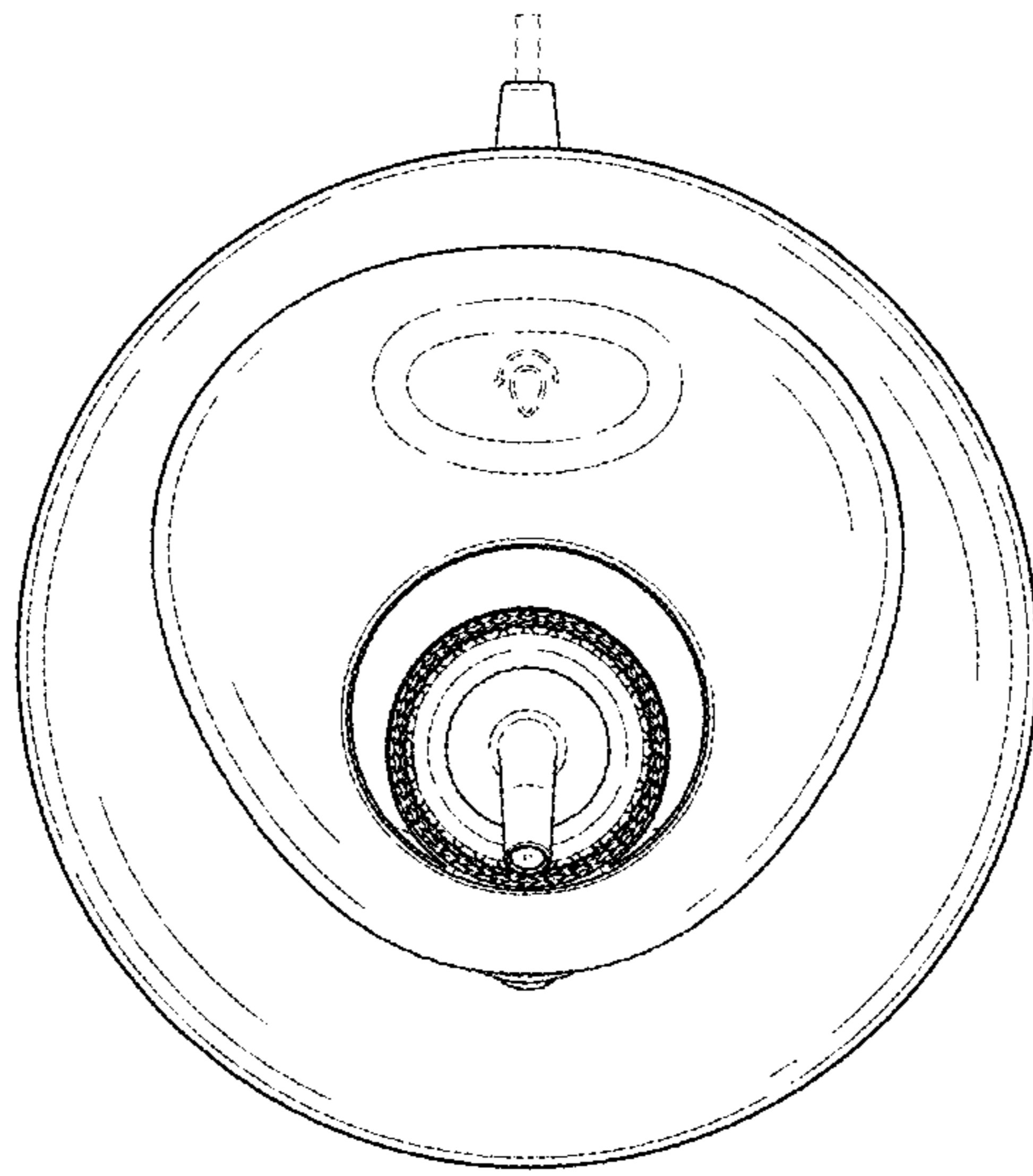


FIG. 7

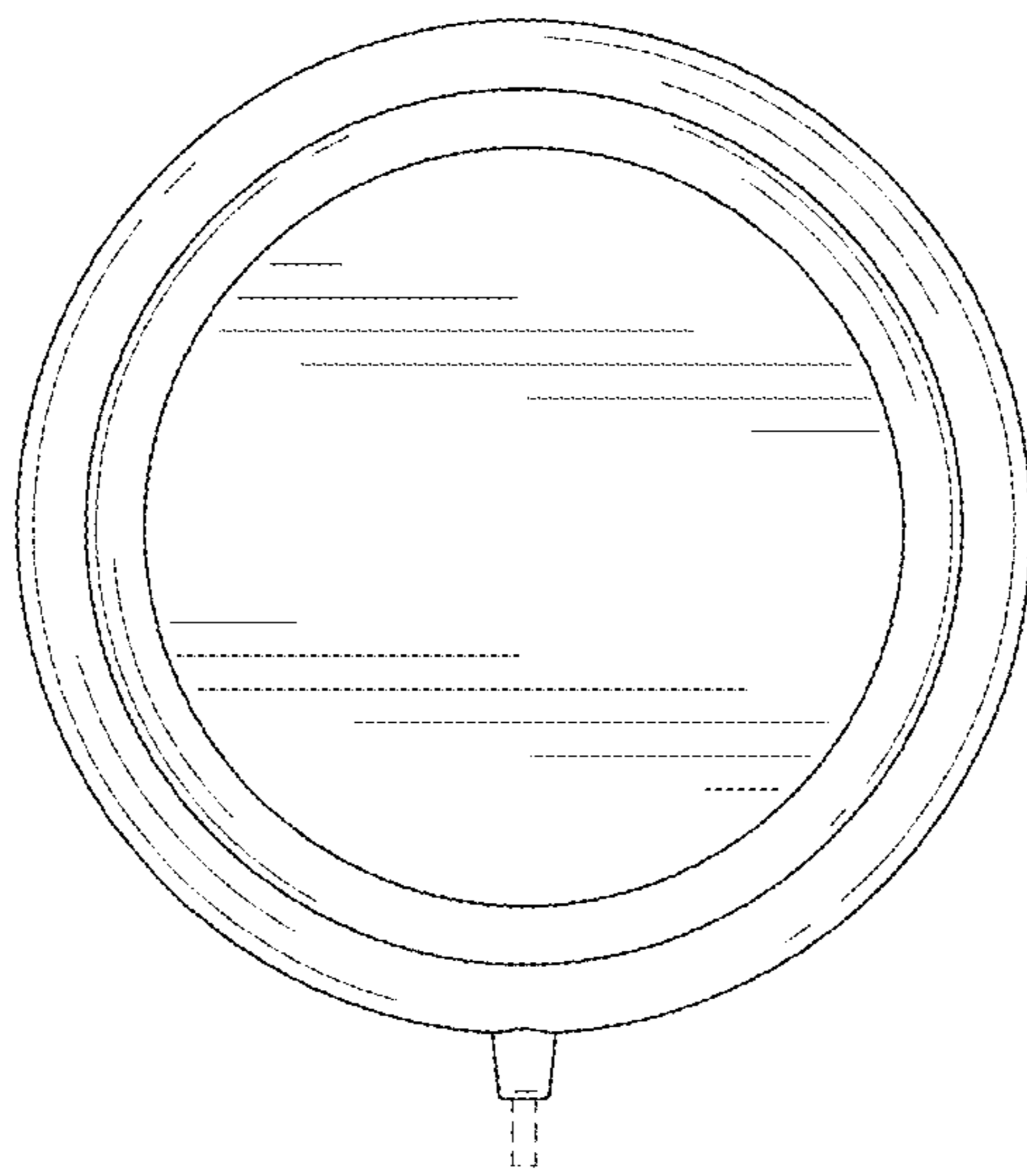


FIG. 8