



US00D954938S

(12) **United States Design Patent** (10) **Patent No.:** **US D954,938 S**
Rothermel et al. (45) **Date of Patent:** **** Jun. 14, 2022**

(54) **CUSHION FOR MEDICAL DEVICE**

(71) Applicant: **KONINKLIJKE PHILIPS N.V.**,
Eindhoven (NL)
(72) Inventors: **Justin Rothermel**, Monroeville, PA
(US); **Joshua Greenberg**, Aspinwall,
PA (US); **Robert O’Grady**, Pittsburgh,
PA (US)

(73) Assignee: **KONINKLINKE PHILPS N.V.**,
Eindhoven (NL)

(**) Term: **15 Years**

(21) Appl. No.: **29/682,047**

(22) Filed: **Mar. 1, 2019**

(51) **LOC (13) Cl.** **24-02**

(52) **U.S. Cl.**
USPC **D24/110.4**

(58) **Field of Classification Search**
USPC D24/110, 110.1–110.4, 110.6, 127;
D29/108, 122; D32/21–24, 31–33
CPC A61M 16/06; A61M 16/0605; A61M
16/0616; A61M 16/0622; A61M 16/0633;
A61M 16/0644; A61M 16/0666; A61M
16/0672; A61M 16/0683

See application file for complete search history.

(56) **References Cited**

U.S. PATENT DOCUMENTS

D588,689 S * 3/2009 Guney D24/110.1
D717,945 S * 11/2014 Neff D24/127
D779,652 S * 2/2017 Nga D24/110.4
D782,032 S * 3/2017 Eves D24/110.4
D787,659 S * 5/2017 Mittelstadt D24/110.1
D823,455 S * 7/2018 Bornholdt D24/110.4
D849,931 S * 5/2019 Prentice D24/110.1
D892,307 S * 8/2020 Wang D24/110.4
D893,014 S * 8/2020 Wang D24/110.4
D906,514 S * 12/2020 Law D24/110.4

D909,564 S * 2/2021 Bogan D24/110.1
D935,602 S * 11/2021 Eves D24/110.4
2007/0044804 A1 * 3/2007 Matula, Jr. A61M 16/0638
128/206.21
2008/0302366 A1 * 12/2008 McGinnis A61M 16/0633
128/206.24
2014/0326246 A1 * 11/2014 Chodkowski A61M 16/06
128/206.24

(Continued)

FOREIGN PATENT DOCUMENTS

WO WO D203125-002 * 8/2019

OTHER PUBLICATIONS

“Philips Respiroics DreamWisp Nasal CPAP Mask” posted by user
The CPAP Shop. Youtube. Date posted: Mar. 19, 2019. Date
retrieved: Jan. 26, 2022. Retrieved from internet: <https://www.youtube.com/watch?v=xp8686rD17Y> (Year: 2019).*

Primary Examiner — Lilyana Bekic
Assistant Examiner — Lee D. Starr

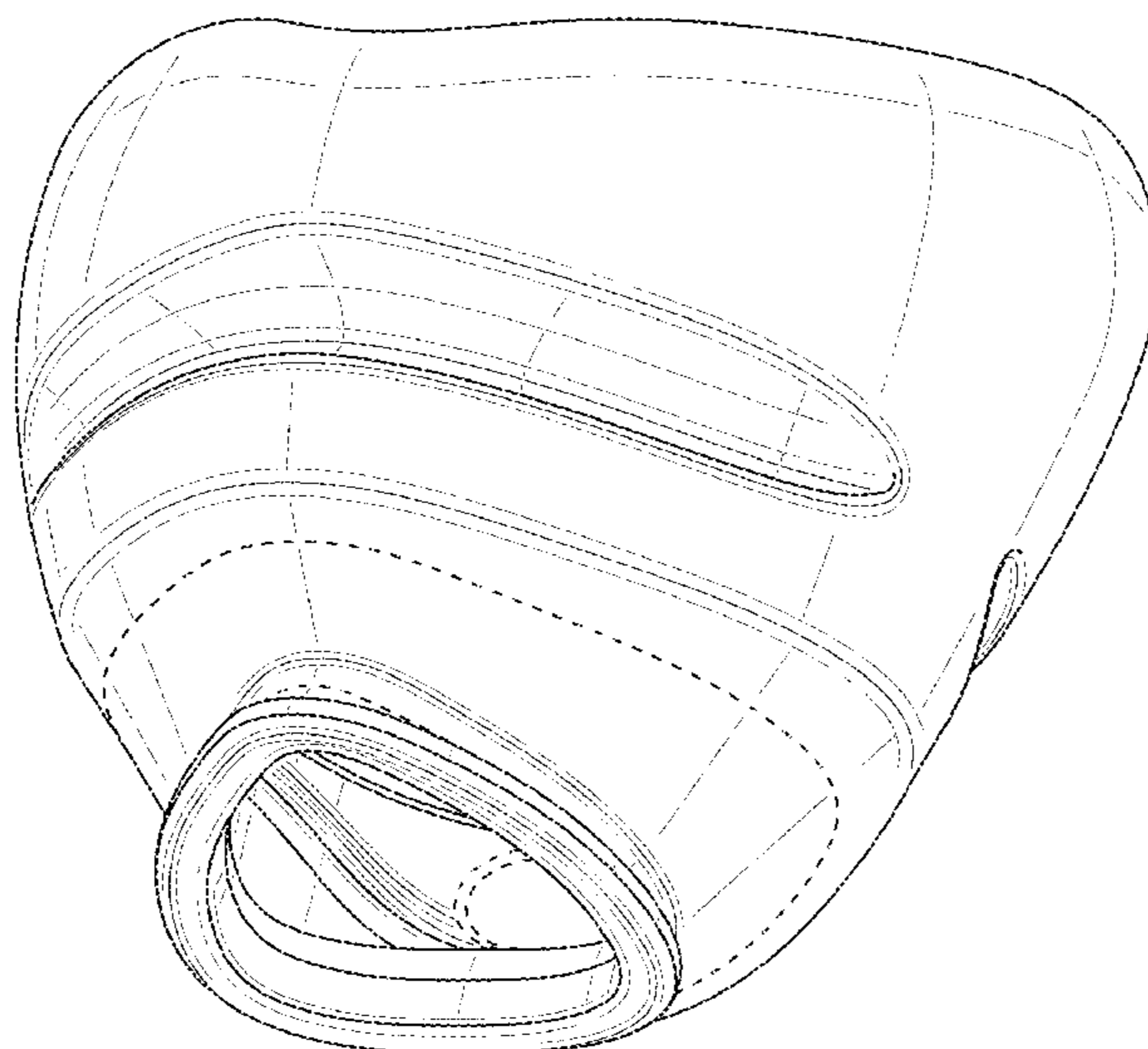
(57) **CLAIM**

The ornamental design for a cushion for medical device, as
shown and described.

DESCRIPTION

FIG. 1 is a top, front, right perspective view of a cushion for
medical device, showing our new design;
FIG. 2 is a bottom, rear, left perspective view thereof;
FIG. 3 is a front elevation view thereof;
FIG. 4 is a rear elevation view thereof;
FIG. 5 is a right side view thereof;
FIG. 6 is a left side view thereof;
FIG. 7 is a top plan view thereof; and,
FIG. 8 is a bottom plan view thereof.
The broken lines of even length illustrate portions of the
cushion for medical device that form no part of the claimed
design.

1 Claim, 8 Drawing Sheets



(56)

References Cited

U.S. PATENT DOCUMENTS

2015/0246200 A1* 9/2015 Neff, Jr. A61M 16/0816
128/202.27
2018/0207384 A1* 7/2018 Zhou A61M 16/0616
2019/0070379 A1* 3/2019 Lockhart A61M 16/06

* cited by examiner

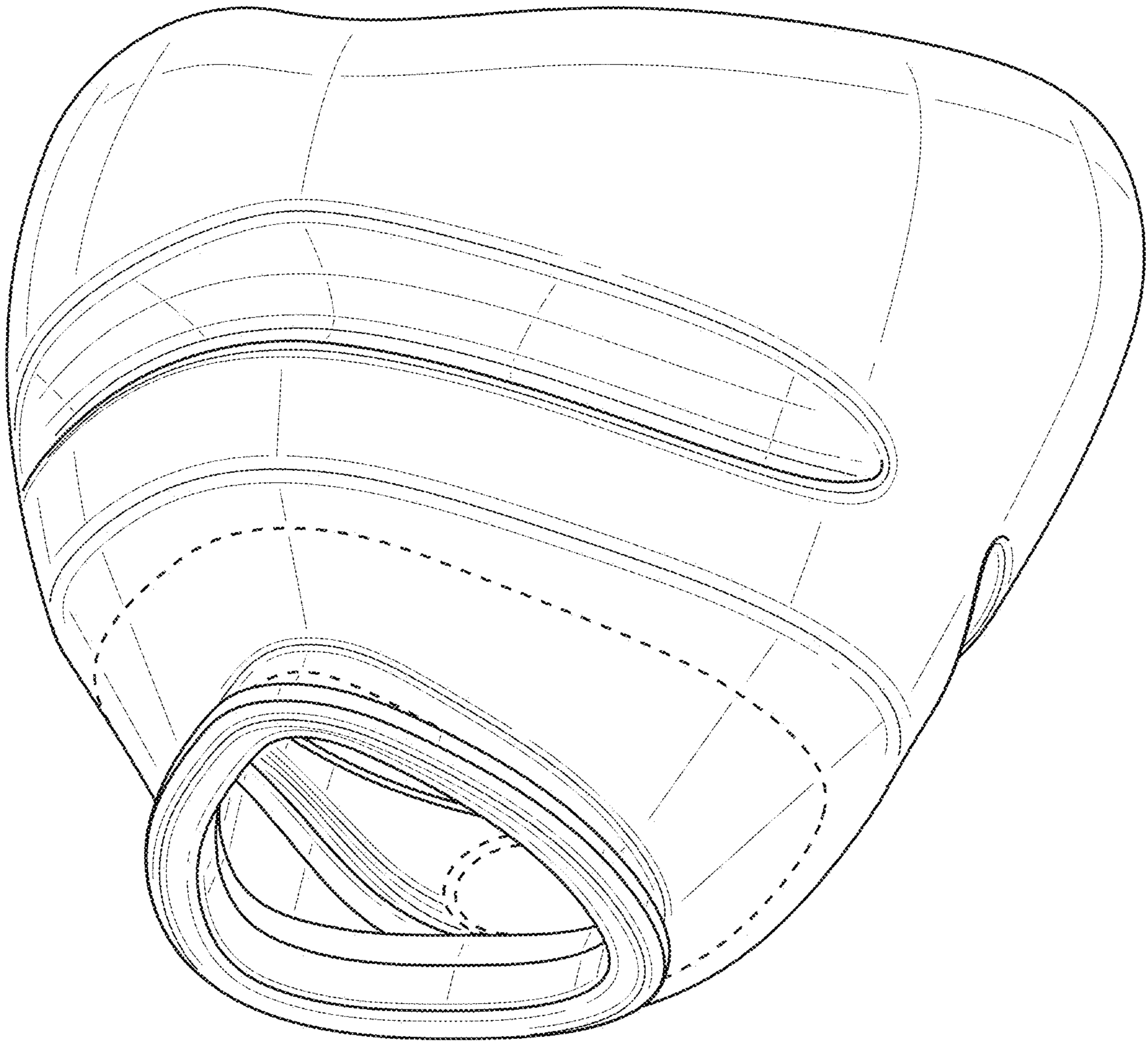


FIG. 1

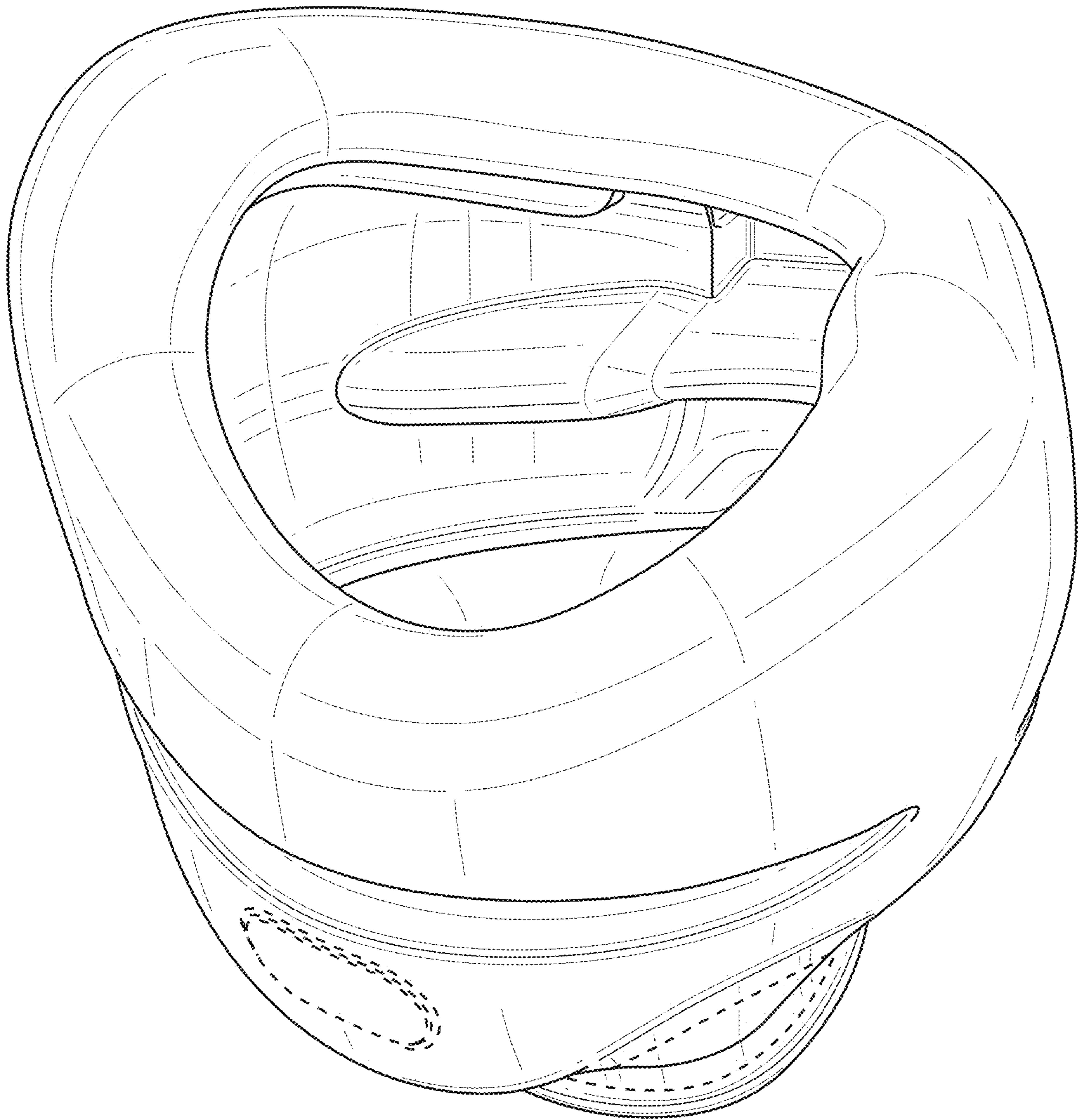


FIG. 2

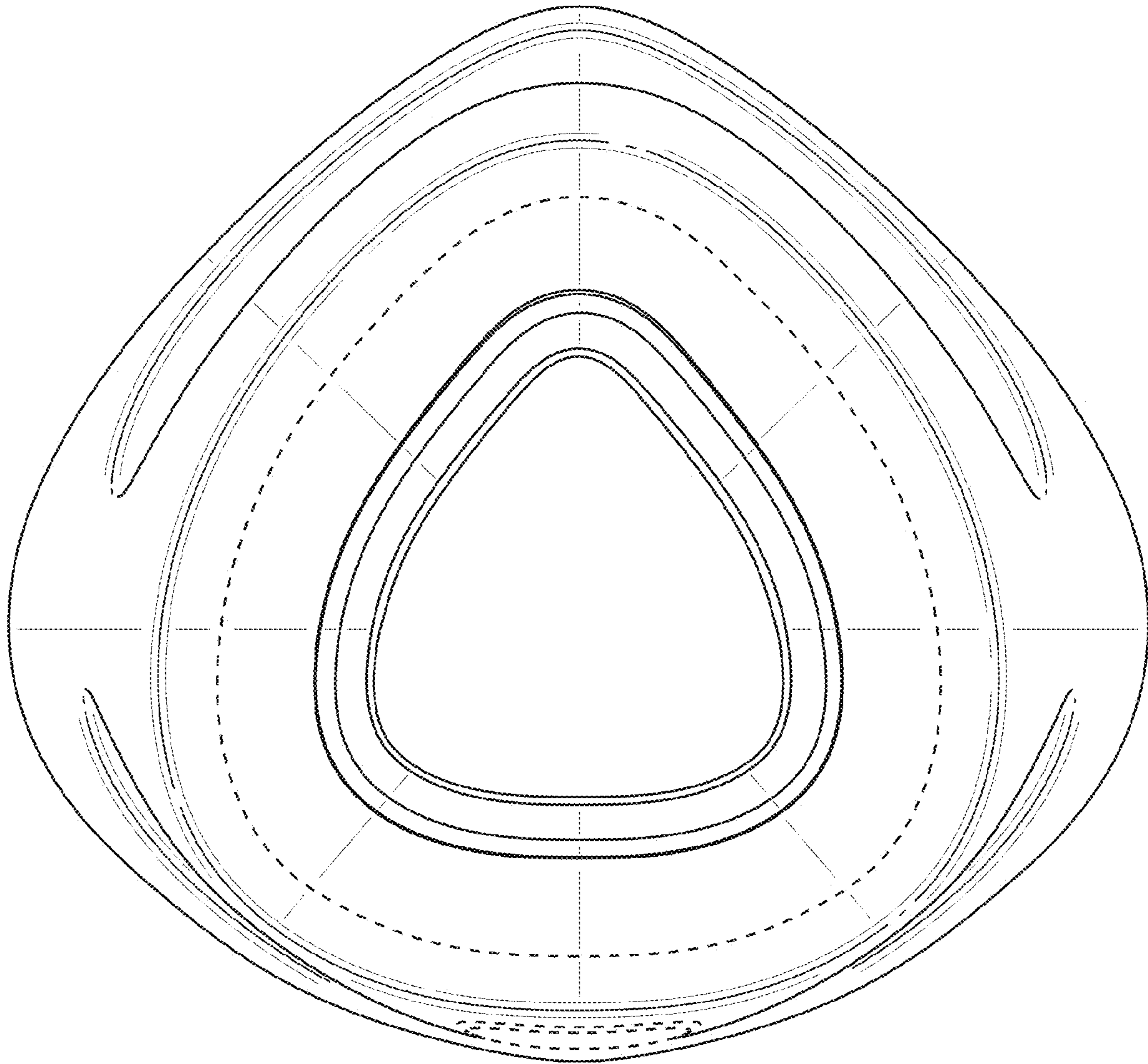


FIG. 3

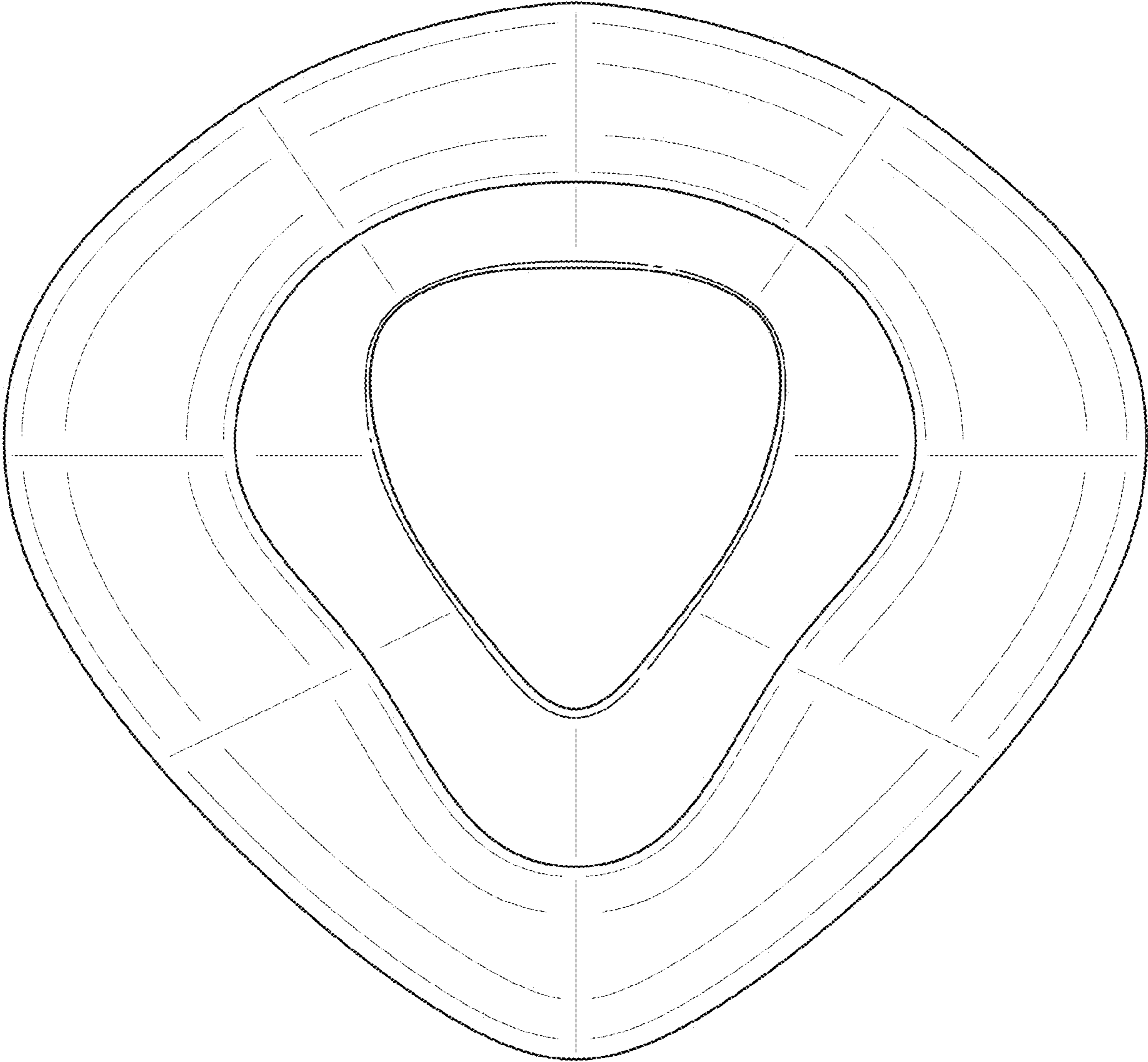


FIG. 4

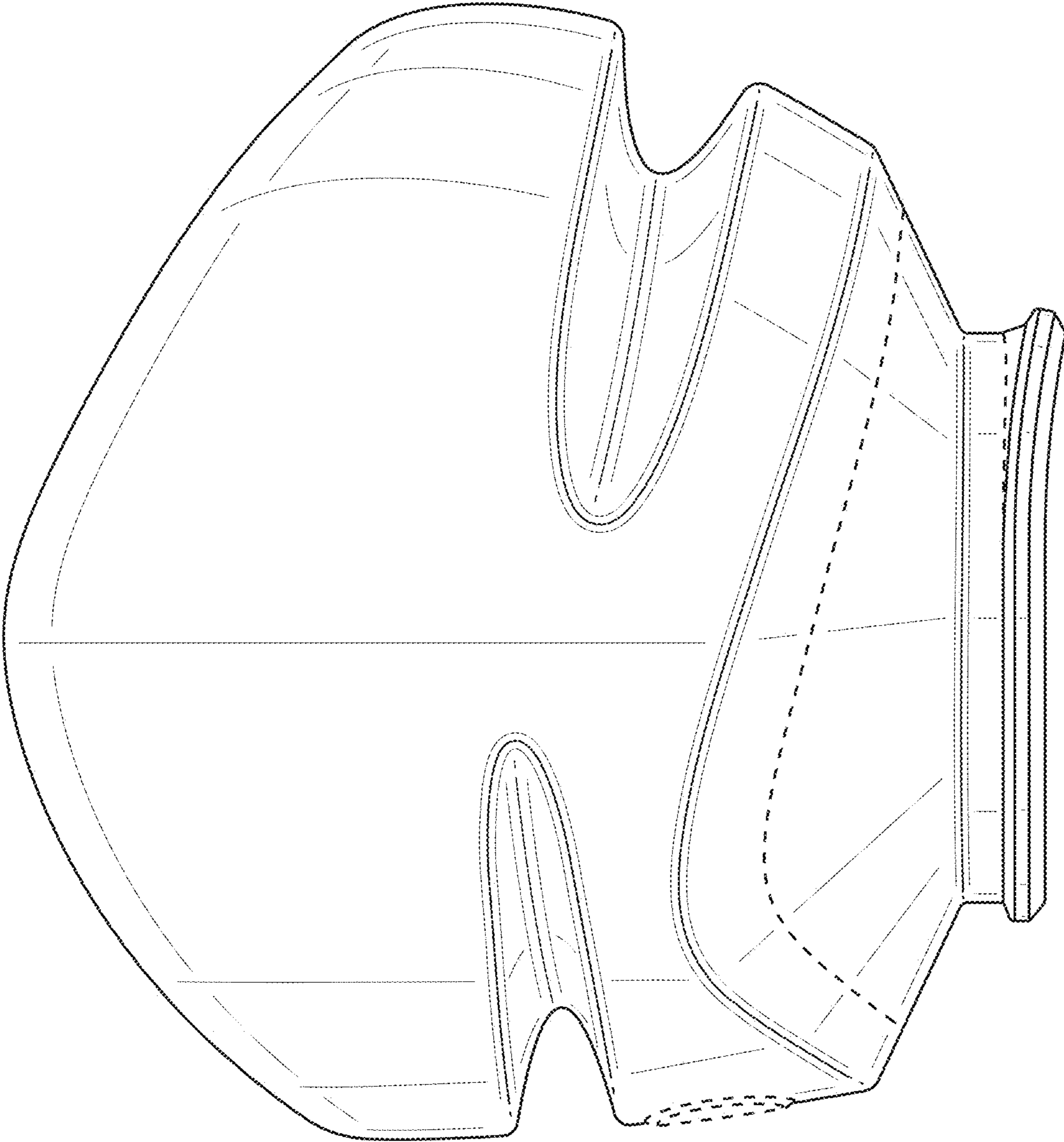


FIG. 5

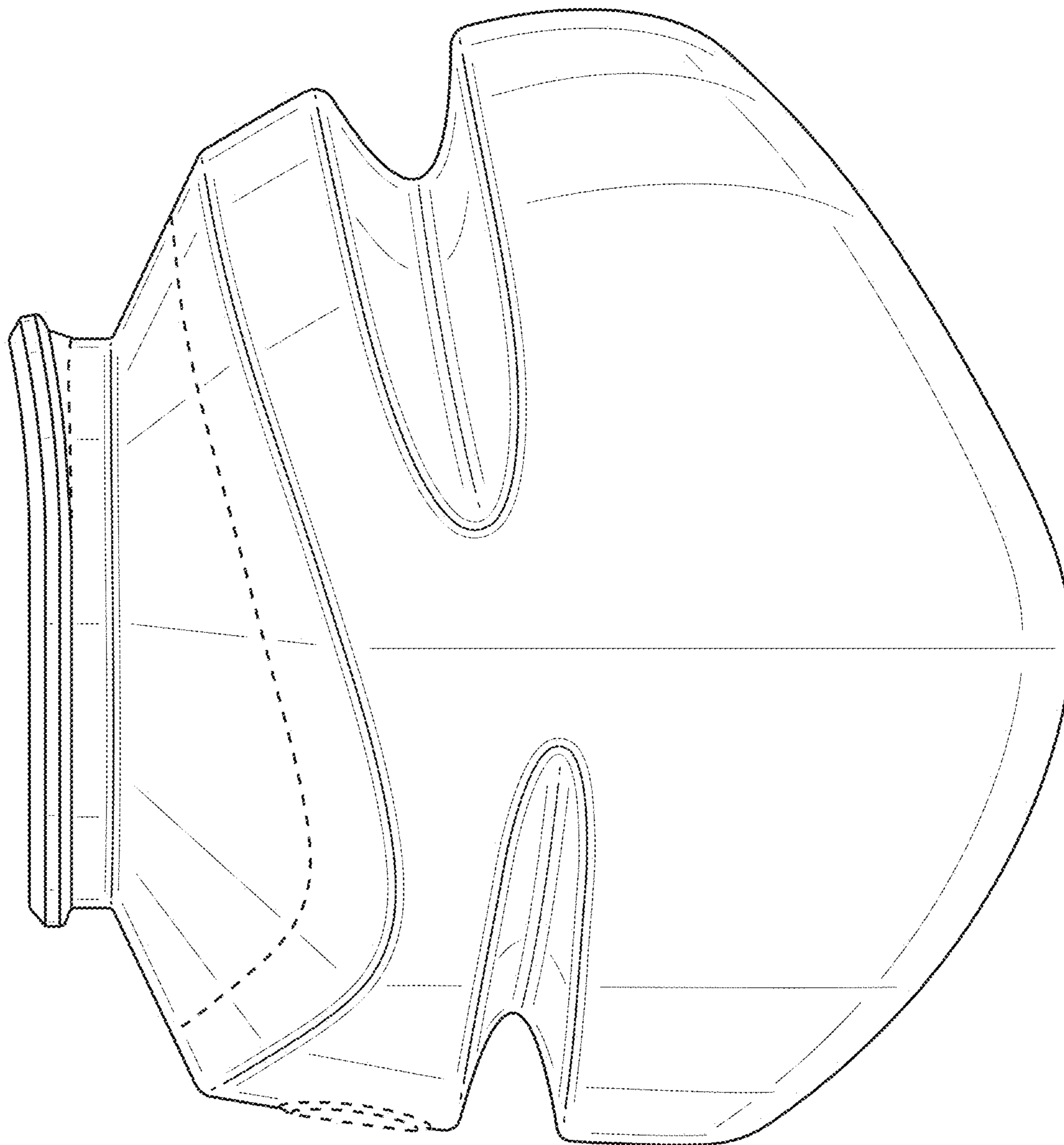


FIG. 6

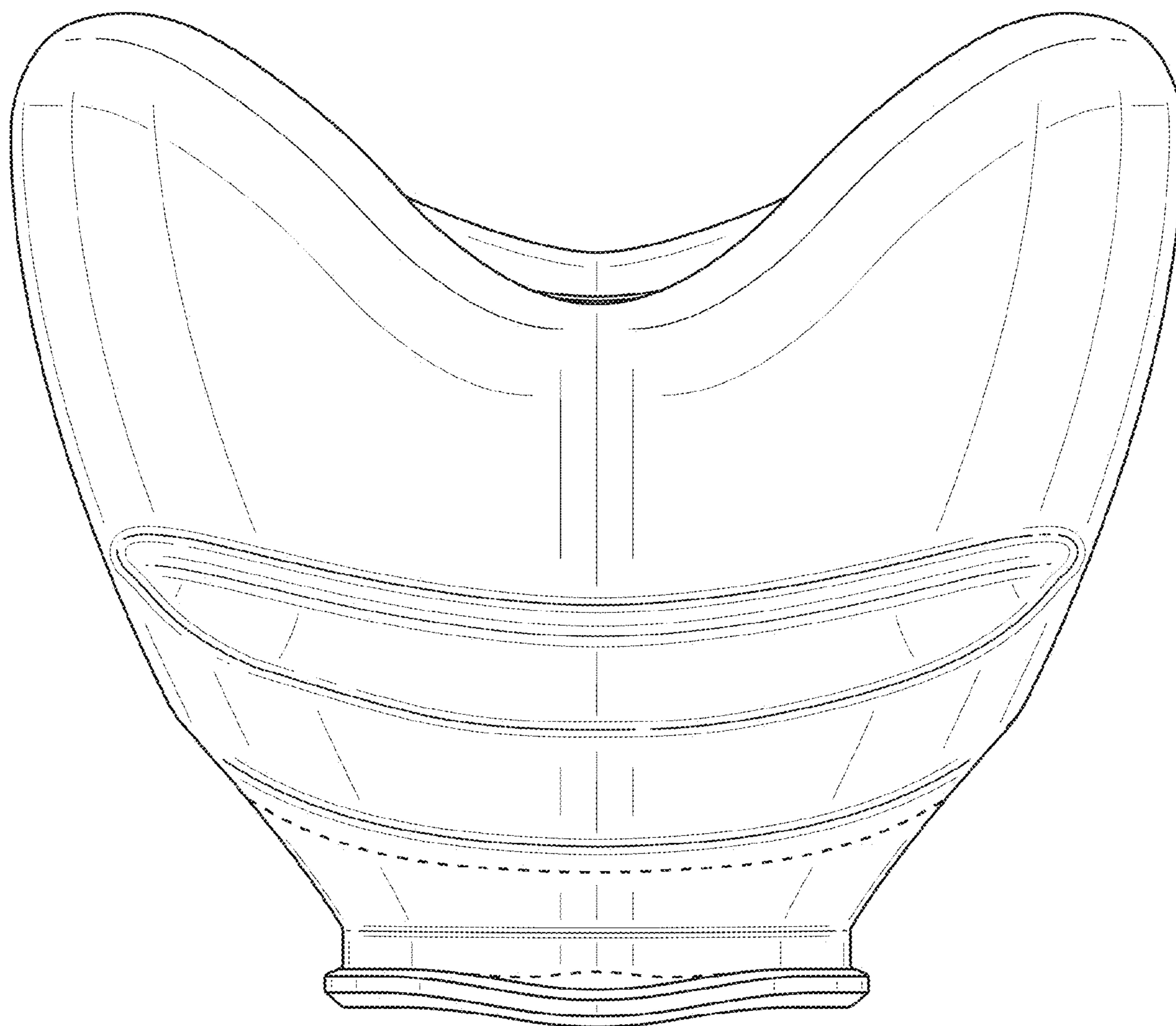


FIG. 7

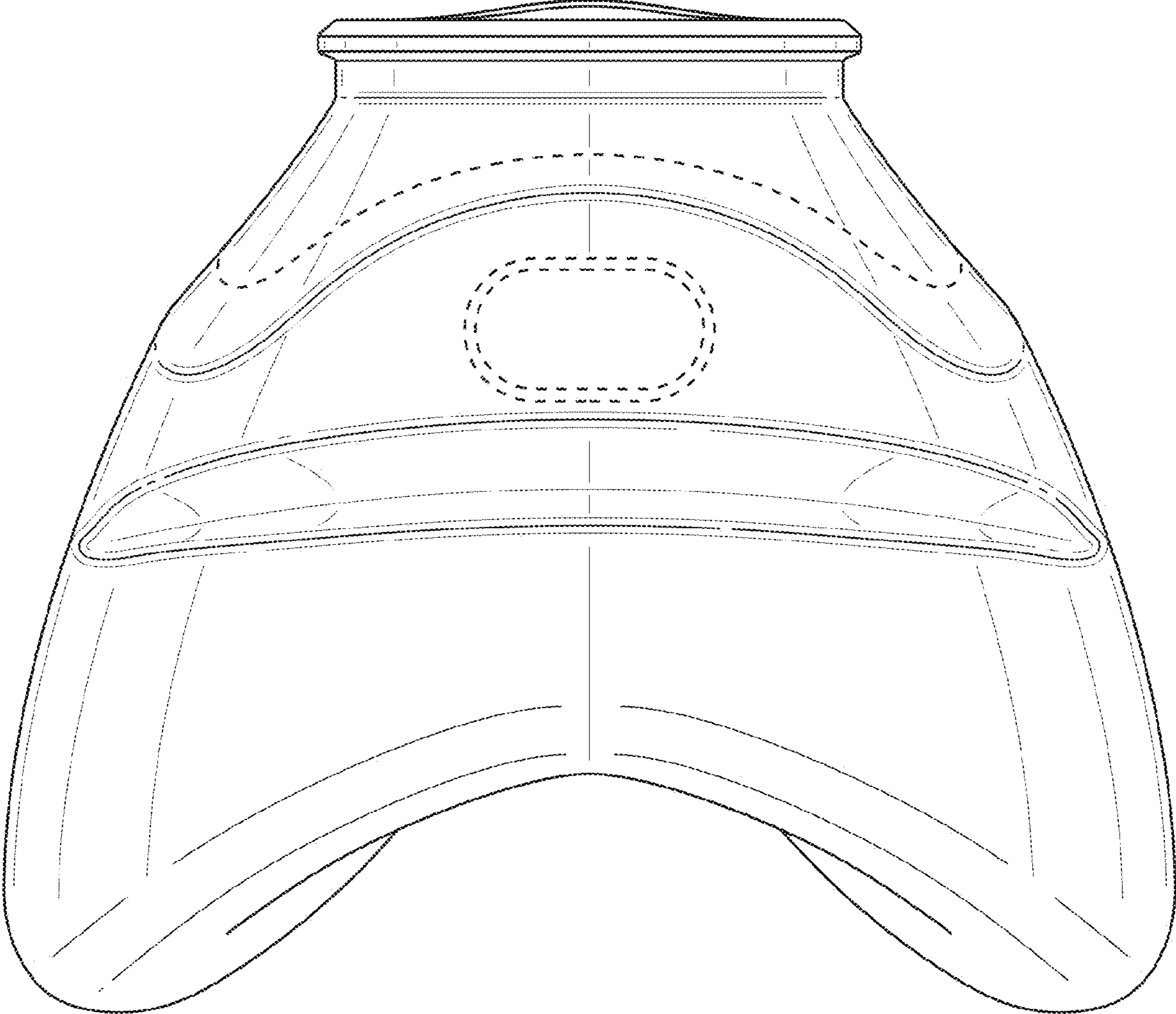


FIG. 8