



US00D954936S

(12) **United States Design Patent**  
**Gray et al.**

(10) **Patent No.:** **US D954,936 S**  
(45) **Date of Patent:** **\*\* Jun. 14, 2022**

(54) **MASK**

(71) Applicant: **Metal Heart Group of Companies,**  
Stormill (ZA)

(72) Inventors: **Kenneth Gray,** Johannesburg (ZA);  
**Gerrie Lombaard,** Johannesburg (ZA)

(73) Assignee: **Metal Heart Group of Companies,**  
Stormill (ZA)

(\*\*) Term: **15 Years**

(21) Appl. No.: **29/736,397**

(22) Filed: **May 29, 2020**

(51) **LOC (13) Cl.** ..... **29-02**

(52) **U.S. Cl.**  
USPC ..... **D24/110.1;** D29/108

(58) **Field of Classification Search**  
USPC ..... D24/110-110.6; D29/108; D23/233  
(Continued)

(56) **References Cited**

**U.S. PATENT DOCUMENTS**

4,573,464 A \* 3/1986 Yo ..... A62B 18/10  
128/206.15  
4,793,343 A \* 12/1988 Cummins, Jr .... A61M 16/1075  
128/203.27

(Continued)

**FOREIGN PATENT DOCUMENTS**

CN 301619039 \* 7/2011  
CN 305959597 \* 7/2020

(Continued)

**OTHER PUBLICATIONS**

Training Mask Apollo (available [online] Apr. 2, 2021). Retrieved  
from the internet Dec. 16, 2021 from URL: <https://www.amazon.com/Training-Mask-Filtration-Woodworking-Activated/dp/B091MDYSHP/> (Year: 2021).\*

(Continued)

*Primary Examiner* — Eric L Goodman

*Assistant Examiner* — Michael Hoffman

(74) *Attorney, Agent, or Firm* — Norris McLaughlin PA

(57) **CLAIM**

The ornamental design for a mask, as shown and described.

**DESCRIPTION**

FIG. 1 is a front perspective view of a first embodiment showing my new design for a mask, including an inner cavity for receiving a first puck as shown in FIGS. 9-12; FIG. 2 is a rear perspective view thereof; FIG. 3 is a front view thereof; FIG. 4 is a rear view thereof; FIG. 5 is a left view thereof; FIG. 6 is a right view thereof; FIG. 7 is a top plan view thereof; FIG. 8 is a bottom plan view thereof; FIG. 9 is a front perspective view of a first puck, for insertion into the inner cavity of the mask of FIGS. 1-8; FIG. 10 is a top, and bottom, plan view of the first puck thereof; FIG. 11 is a left, and right, side view of the first puck thereof; FIG. 12 is a front, and rear, view of the first puck thereof; FIG. 13 is a front perspective view of a second embodiment showing my new design for a mask, including an inner cavity for receiving a second puck as shown in FIGS. 21-24; FIG. 14 is a rear perspective view thereof; FIG. 15 is a front view thereof; FIG. 16 is a rear view thereof; FIG. 17 is a left view thereof; FIG. 18 is a view thereof; FIG. 19 is a top plan view thereof; FIG. 20 is a bottom plan view thereof; FIG. 21 is a front perspective view of a second puck, for insertion into the inner cavity of the mask of FIGS. 13-20; FIG. 22 is a top, and bottom, plan view of the second puck thereof; FIG. 23 is a left, and right, side view of the second puck thereof; FIG. 24 is a front, and rear, view of the second puck thereof;

(Continued)

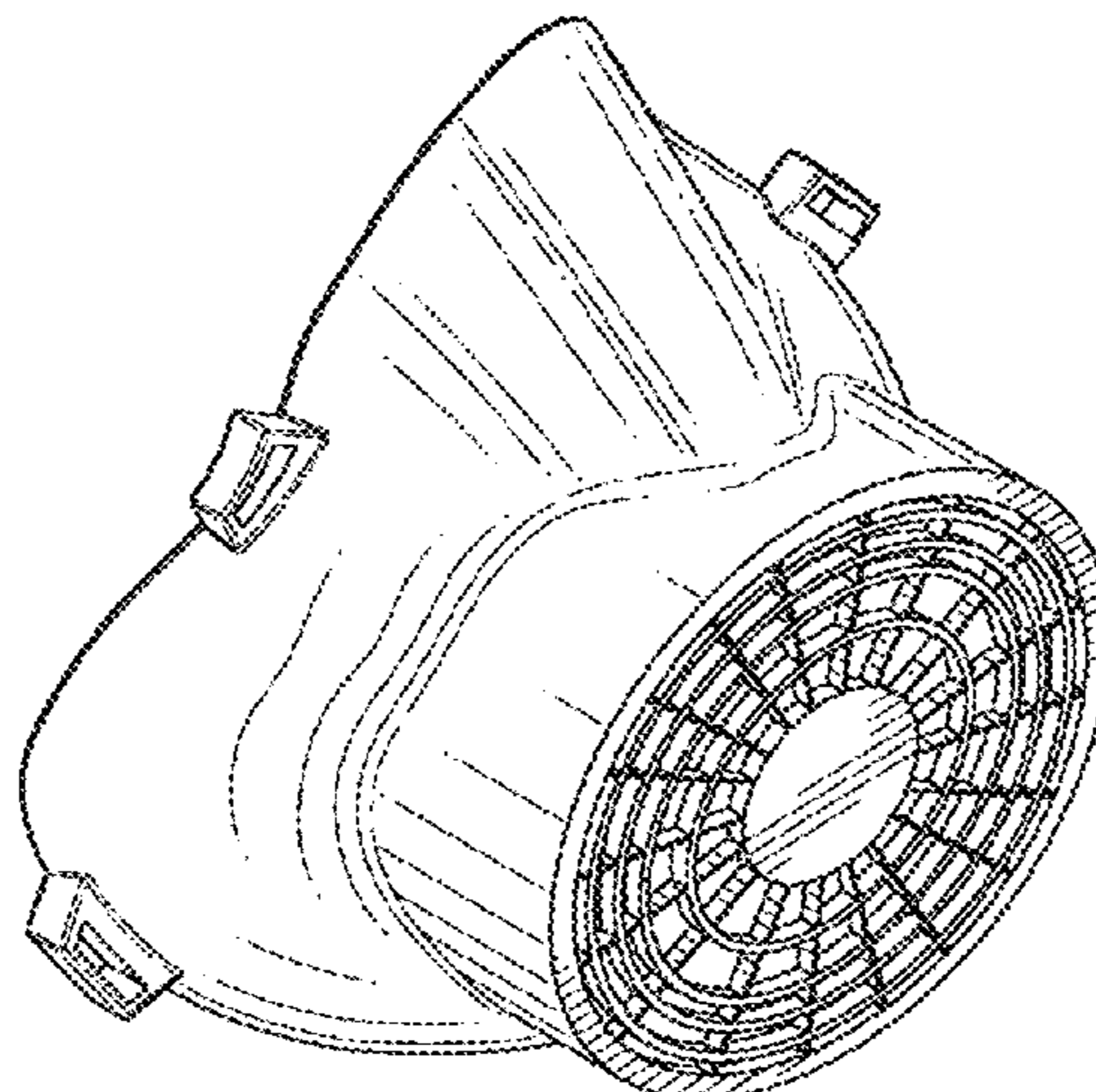


FIG. 25 is a front perspective view of a third embodiment showing my new design for a mask, including an inner cavity for receiving a third puck as shown in FIGS. 33-36; FIG. 26 is a rear perspective view thereof; FIG. 27 is a front view thereof; FIG. 28 is a rear view thereof; FIG. 29 is a left view thereof; FIG. 30 is a right view thereof; FIG. 31 is a top plan view thereof; FIG. 32 is a bottom plan view thereof; FIG. 33 is a front perspective view of a third puck, for insertion into the inner cavity of the mask of FIGS. 25-32; FIG. 34 is a top, and bottom, plan view of the third puck thereof; FIG. 35 is a left, and right, side view of a third puck thereof; and, FIG. 36 is a front, and rear, view of a third puck thereof.

**1 Claim, 15 Drawing Sheets**

(58) **Field of Classification Search**

CPC . A41D 13/11; A41D 13/1115; A41D 13/1161; A62B 18/025; A62B 18/084; A61M 16/06  
See application file for complete search history.

(56) **References Cited**

U.S. PATENT DOCUMENTS

D604,834 S \* 11/2009 Ungar ..... D24/110.1  
D609,803 S \* 2/2010 Ungar ..... D24/110.1  
D665,903 S \* 8/2012 Sullivan, Jr. .... D24/110.1

D877,859 S \* 3/2020 Mahalingam ..... D23/233  
D923,775 S \* 6/2021 Gilner ..... D24/110.1  
2010/0269831 A1\* 10/2010 Skov ..... A62B 18/10  
128/206.15  
2011/0297152 A1\* 12/2011 Duveen ..... A61M 16/106  
128/203.29  
2013/0327335 A1\* 12/2013 Ishikawa ..... A62B 23/025  
128/205.27  
2016/0199675 A1\* 7/2016 Walker ..... A62B 18/082  
128/205.27  
2021/0307414 A1\* 10/2021 Korathu-Larson .....  
A41D 13/1161  
2021/0338959 A1\* 11/2021 Asthana ..... A61M 16/06  
2021/0346730 A1\* 11/2021 Gray ..... A62B 18/084  
2021/0346732 A1\* 11/2021 Tu ..... A62B 18/025  
2021/0346733 A1\* 11/2021 Stranberg ..... A41D 13/11  
2021/0346736 A1\* 11/2021 Ravikumar ..... A62B 18/084  
2021/0353972 A1\* 11/2021 Adam ..... A62B 9/00  
2021/0379423 A1\* 12/2021 Howell ..... A62B 23/00

FOREIGN PATENT DOCUMENTS

EM 007843206-0001 \* 4/2020  
KR 300402018.0001 \* 7/2008

OTHER PUBLICATIONS

DK177 Half Respirator (available [online] May 12, 2020). Retrieved from the internet Dec. 16, 2021 from URL: <https://www.amazon.com/Respirator-Replaceable-Reusable-Polishing-Protection/dp/B088JXSKHP/> (Year: 2020).\*  
<https://totobobo.com/blog/chinese-patent-opens-up-new-market-opportunity-for-totobobo/>.  
<https://3dprintingcenter.net/copper-3d-makes-the-free-n95-mask-design-to-fight-covid-19-pandemic-spread/>.

\* cited by examiner

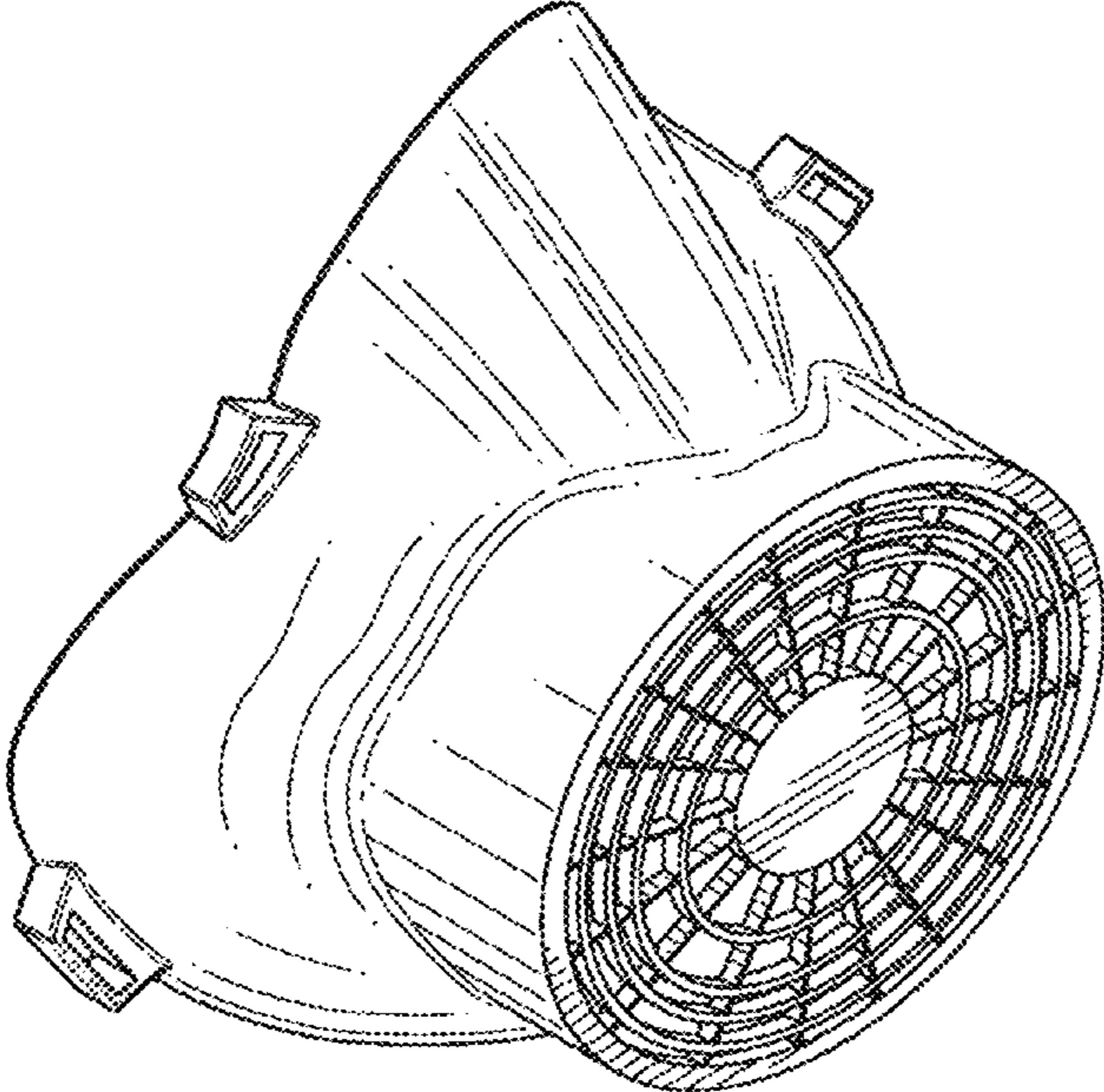


FIG 1

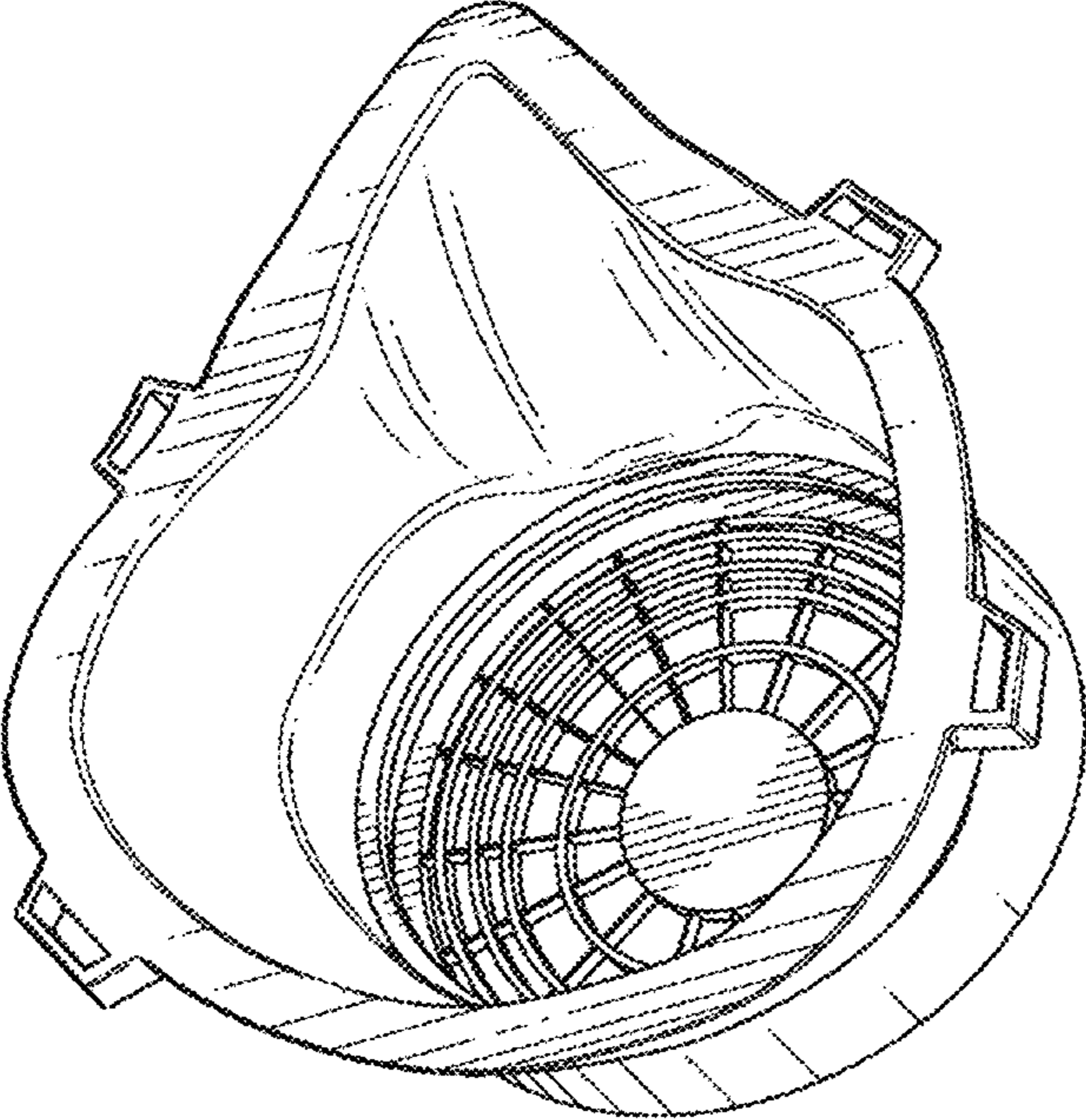


FIG 2

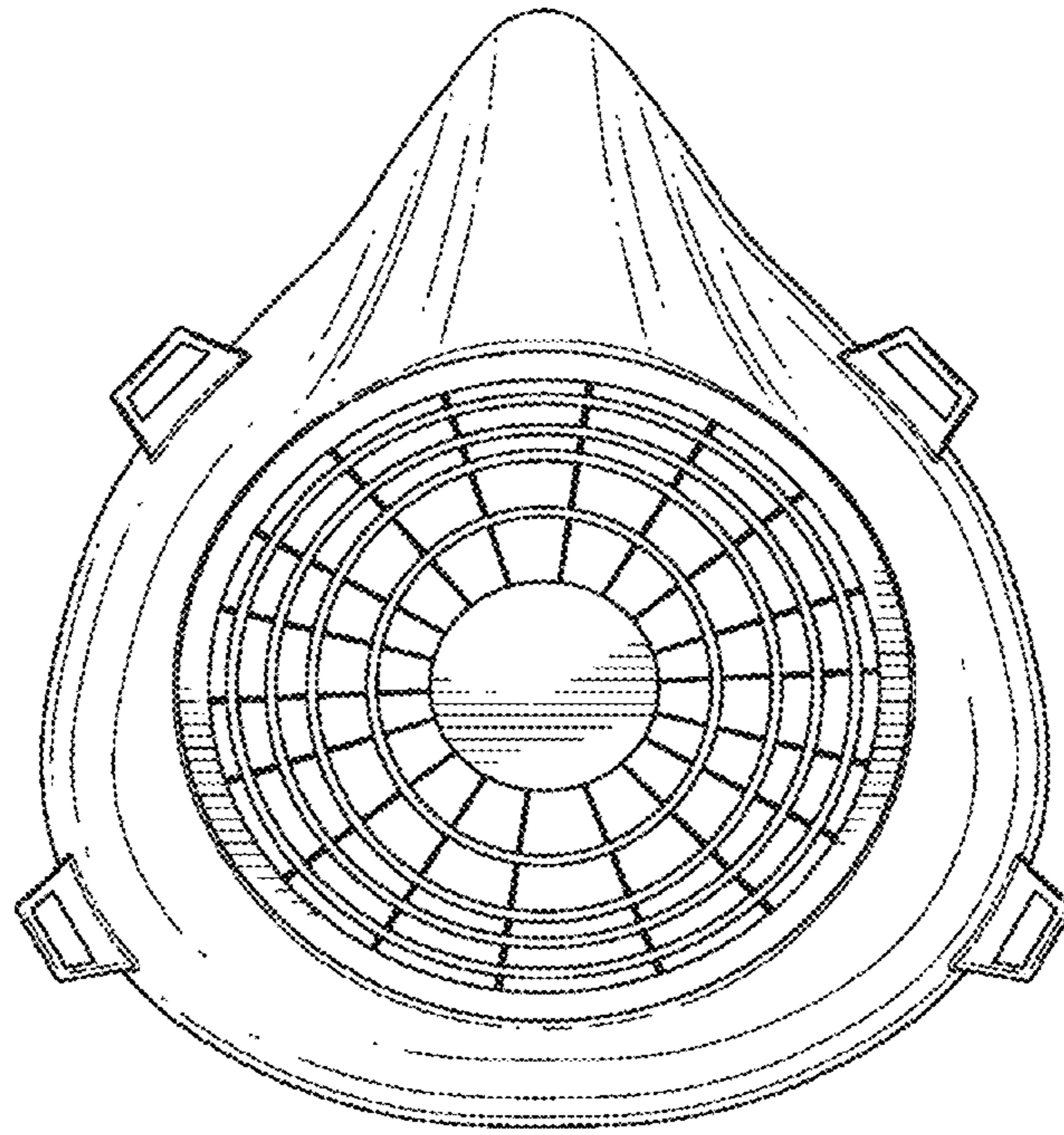


FIG 3

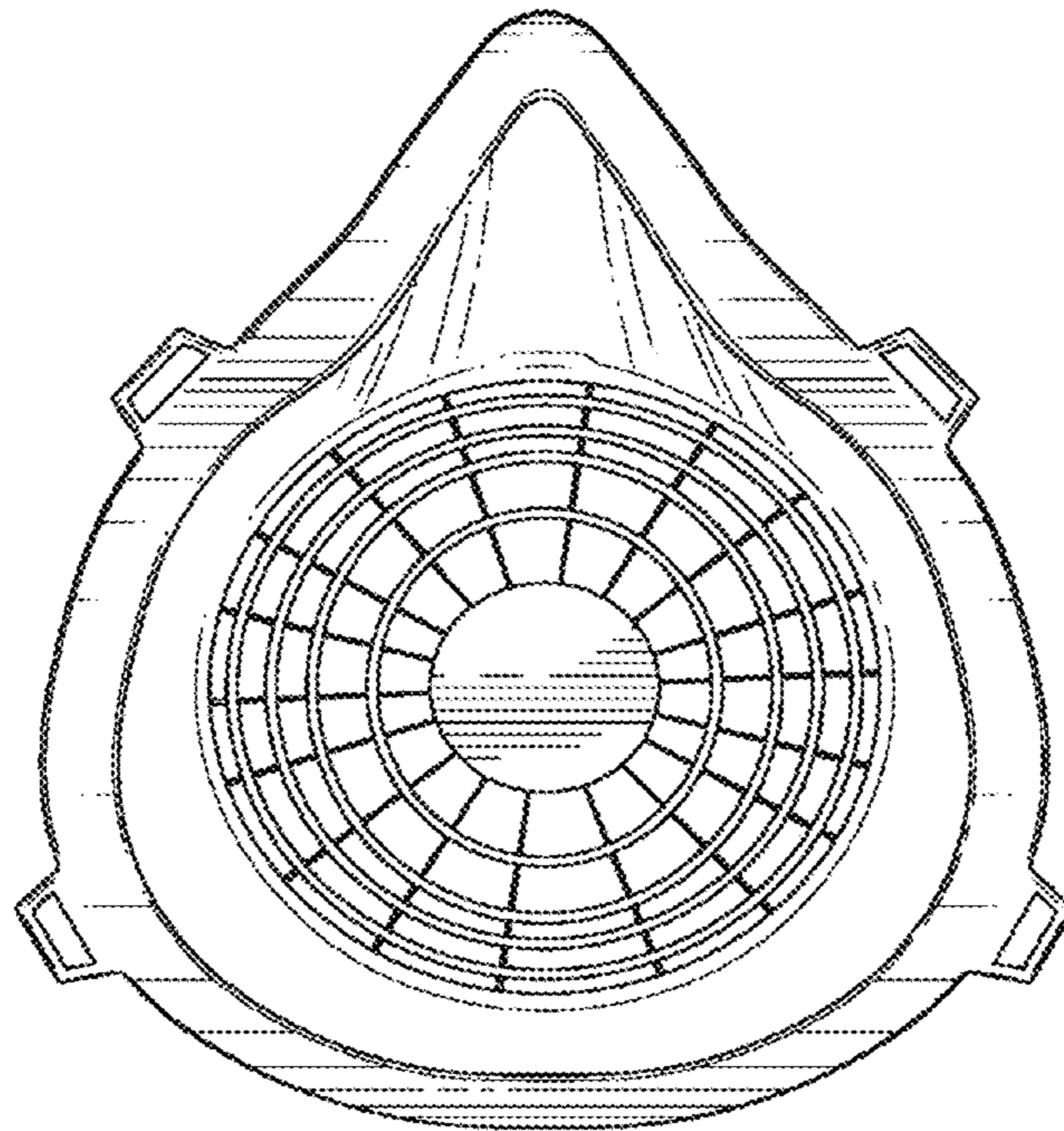


FIG 4

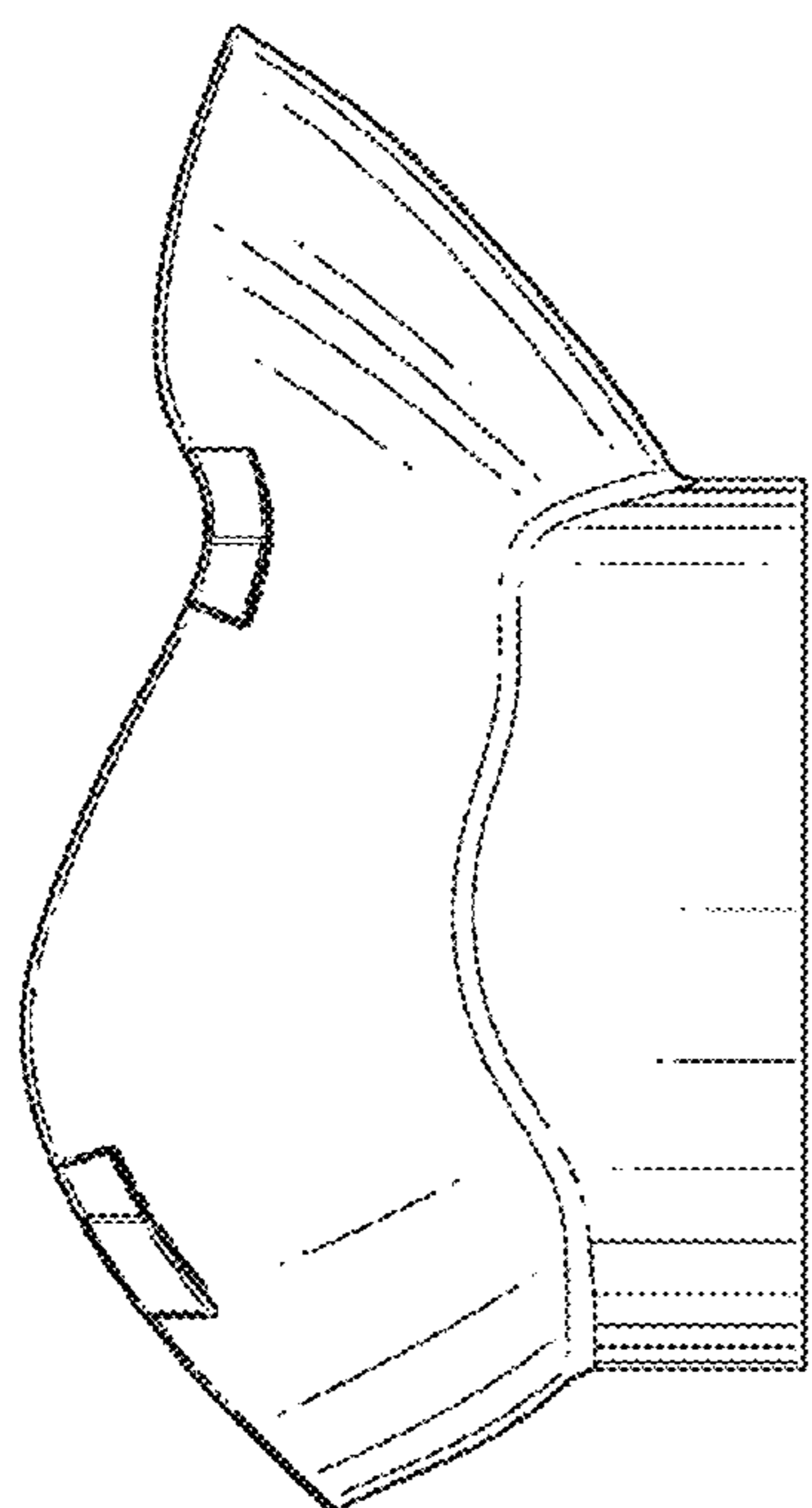


FIG 5

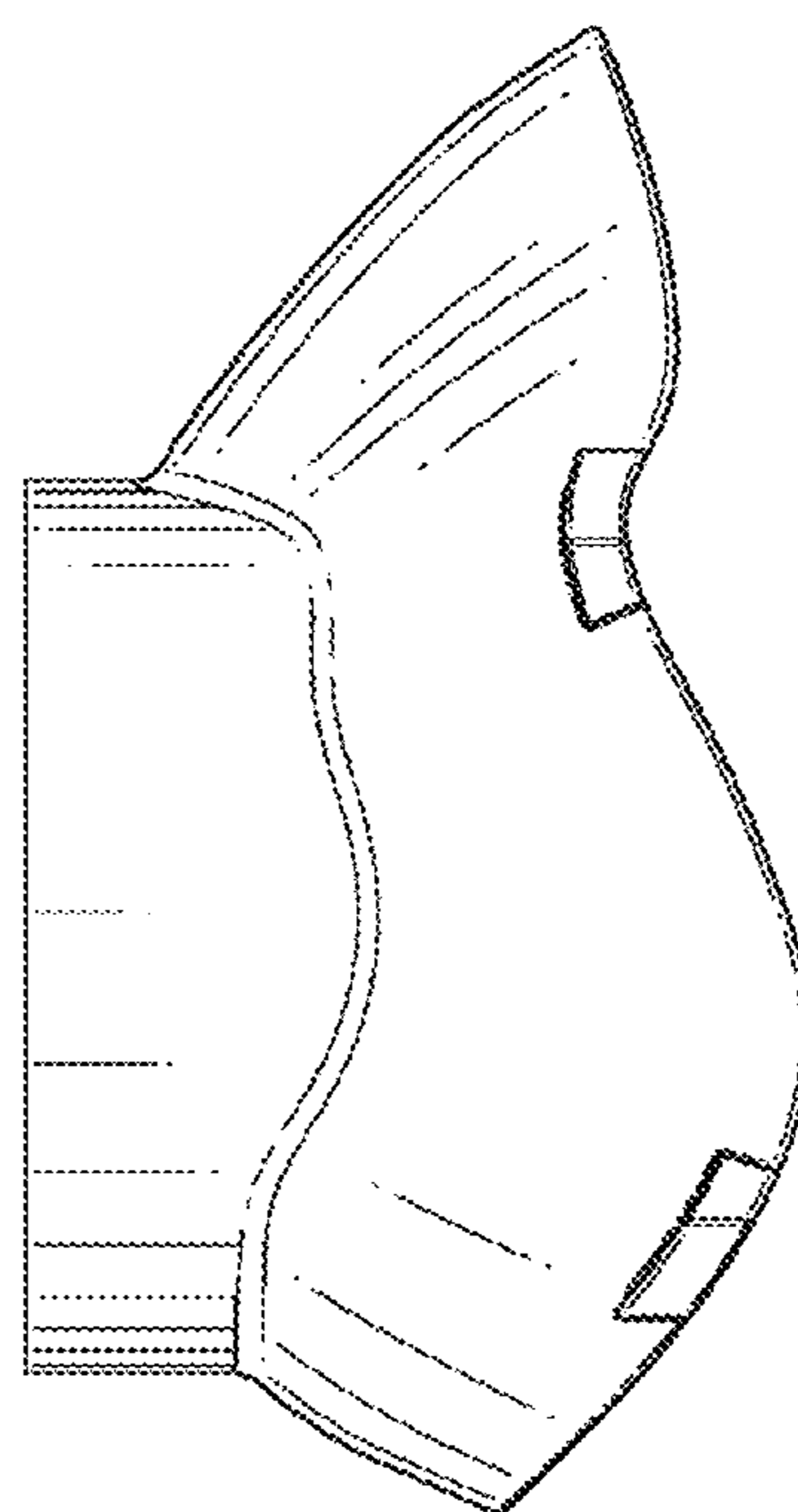


FIG 6

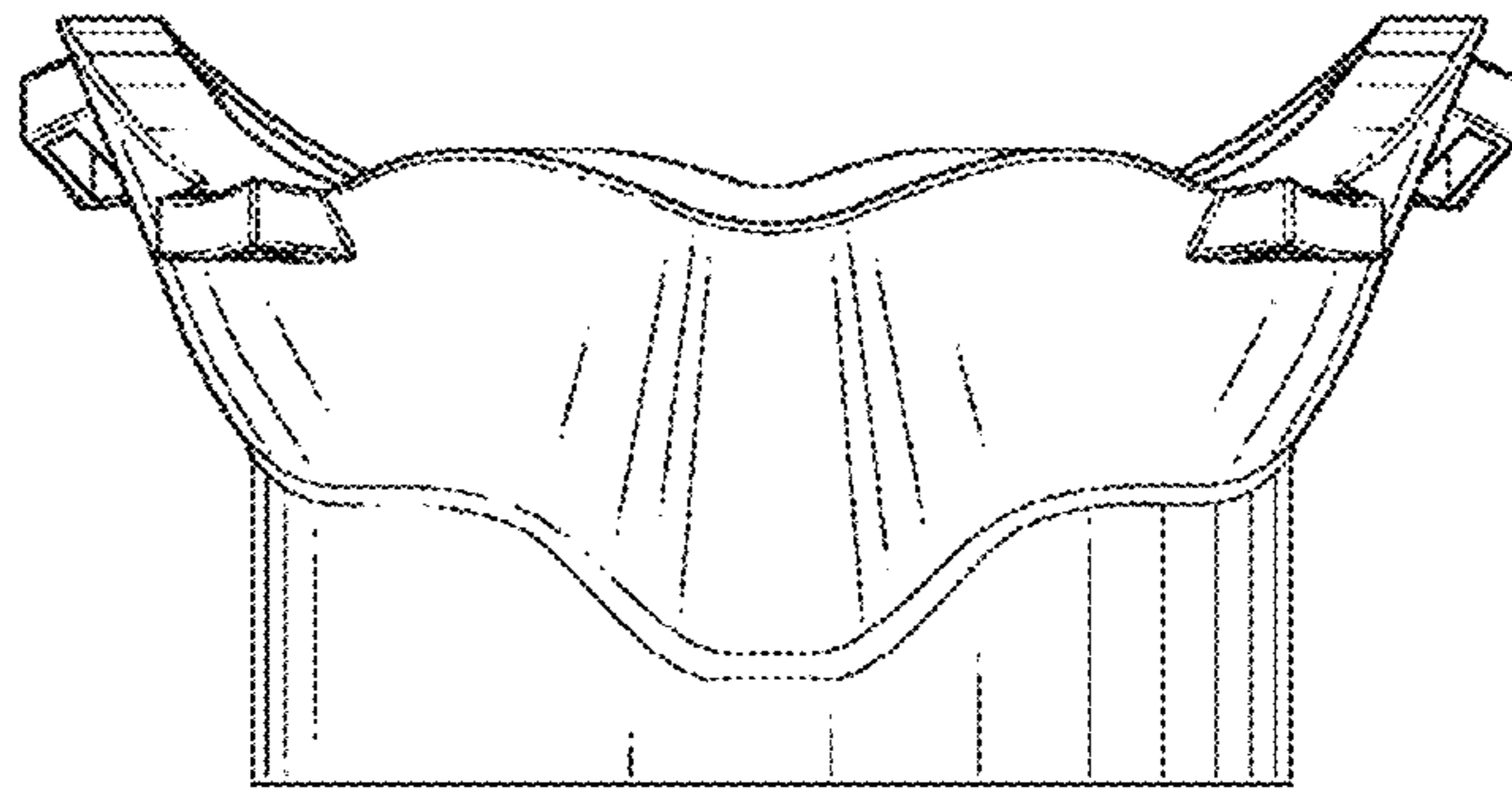


FIG 7

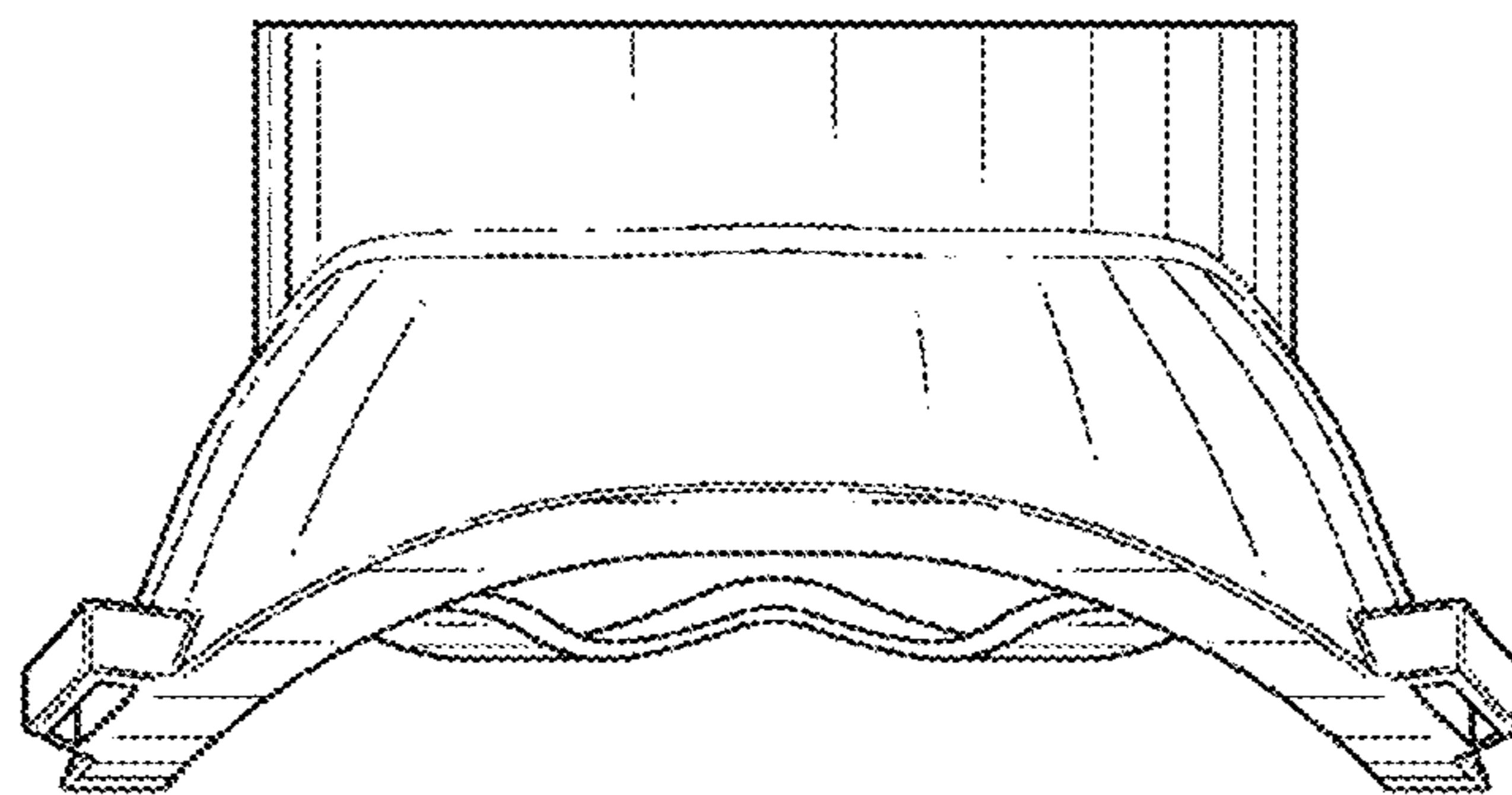


FIG 8

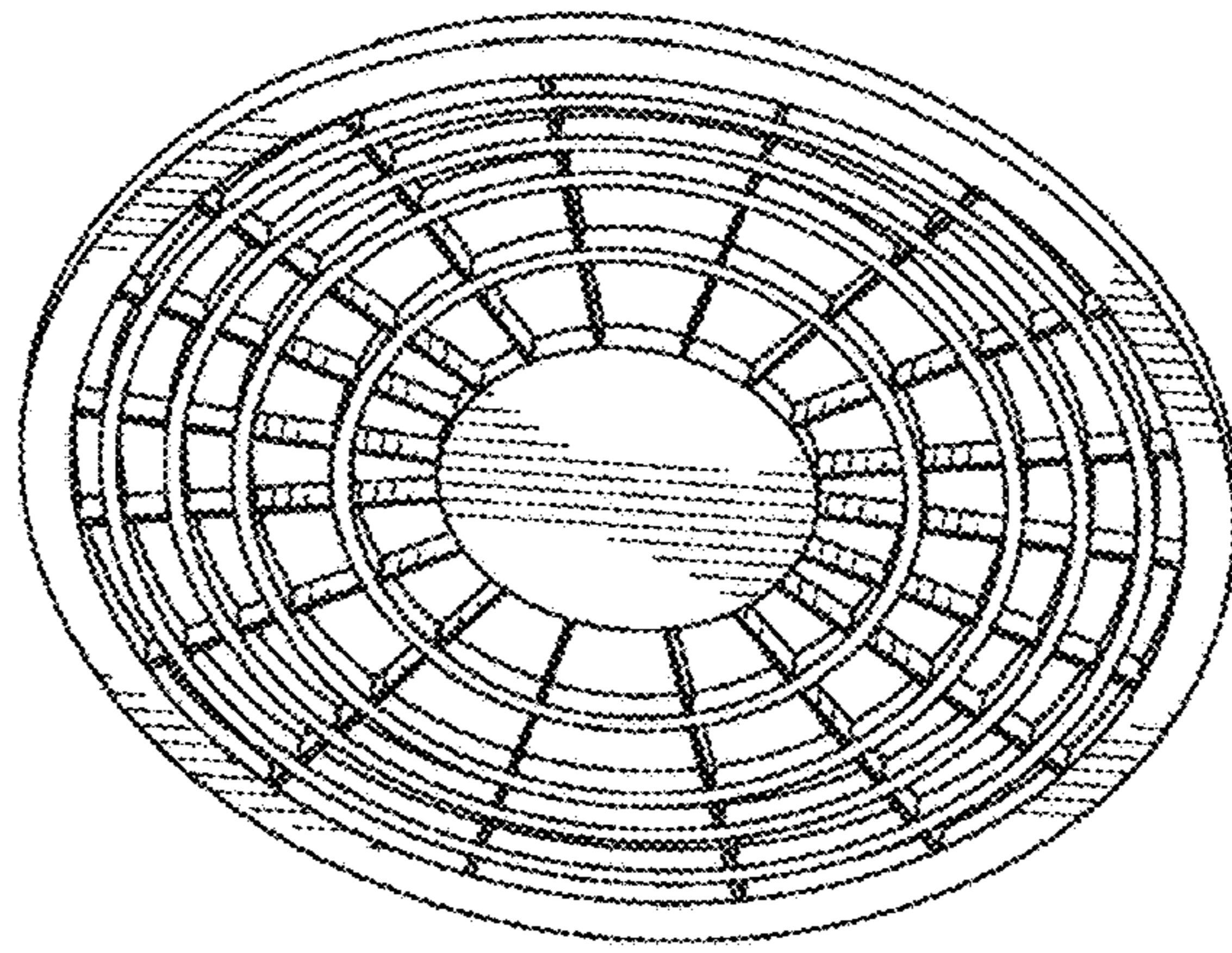


FIG 9

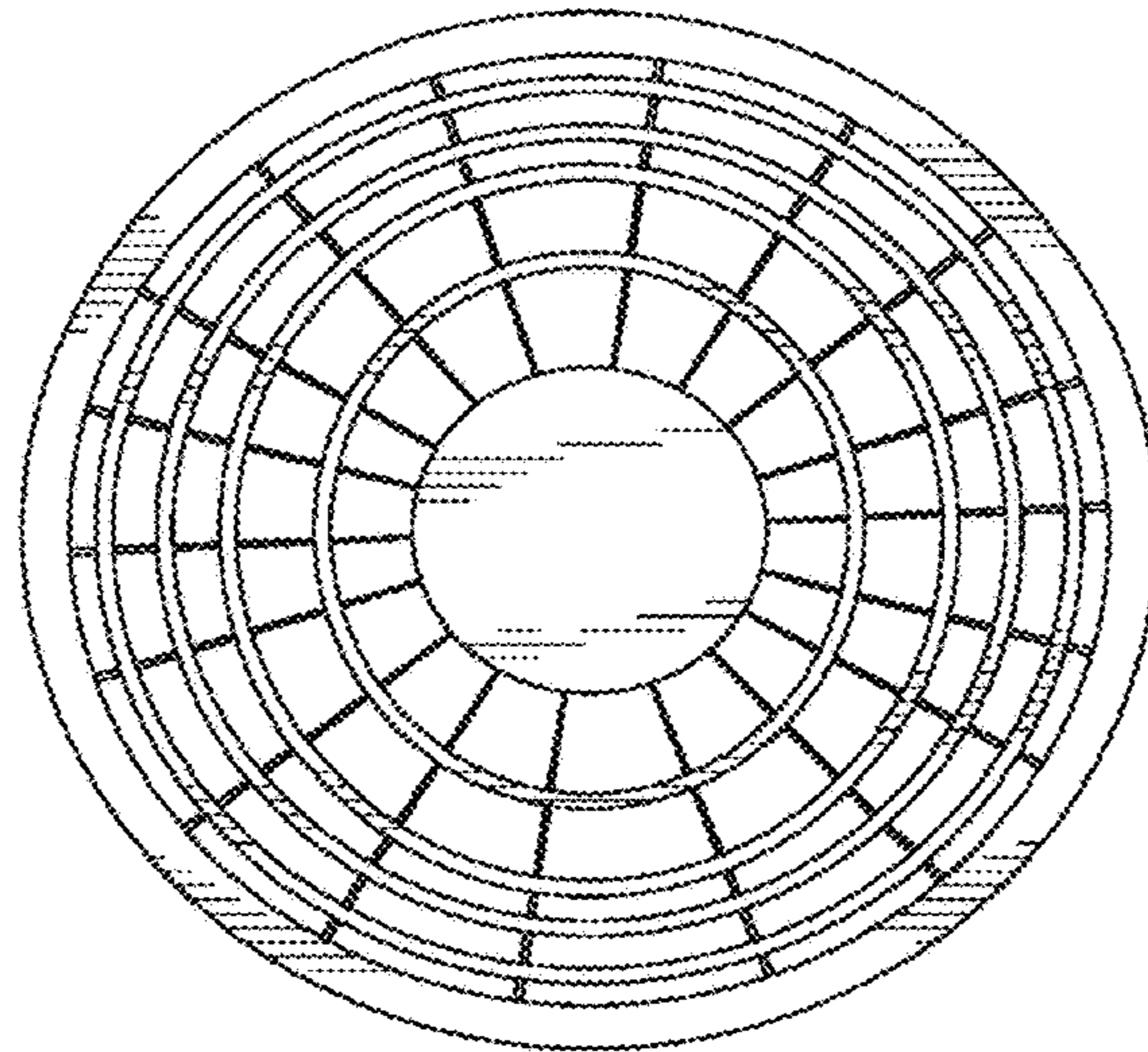


FIG 10

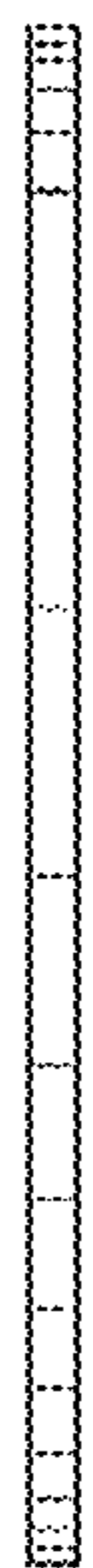


FIG 11

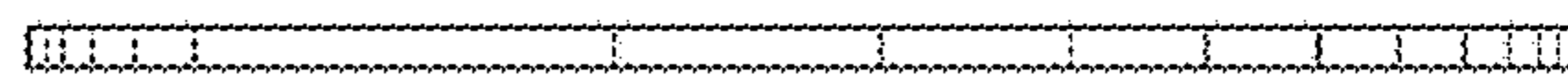


FIG 12

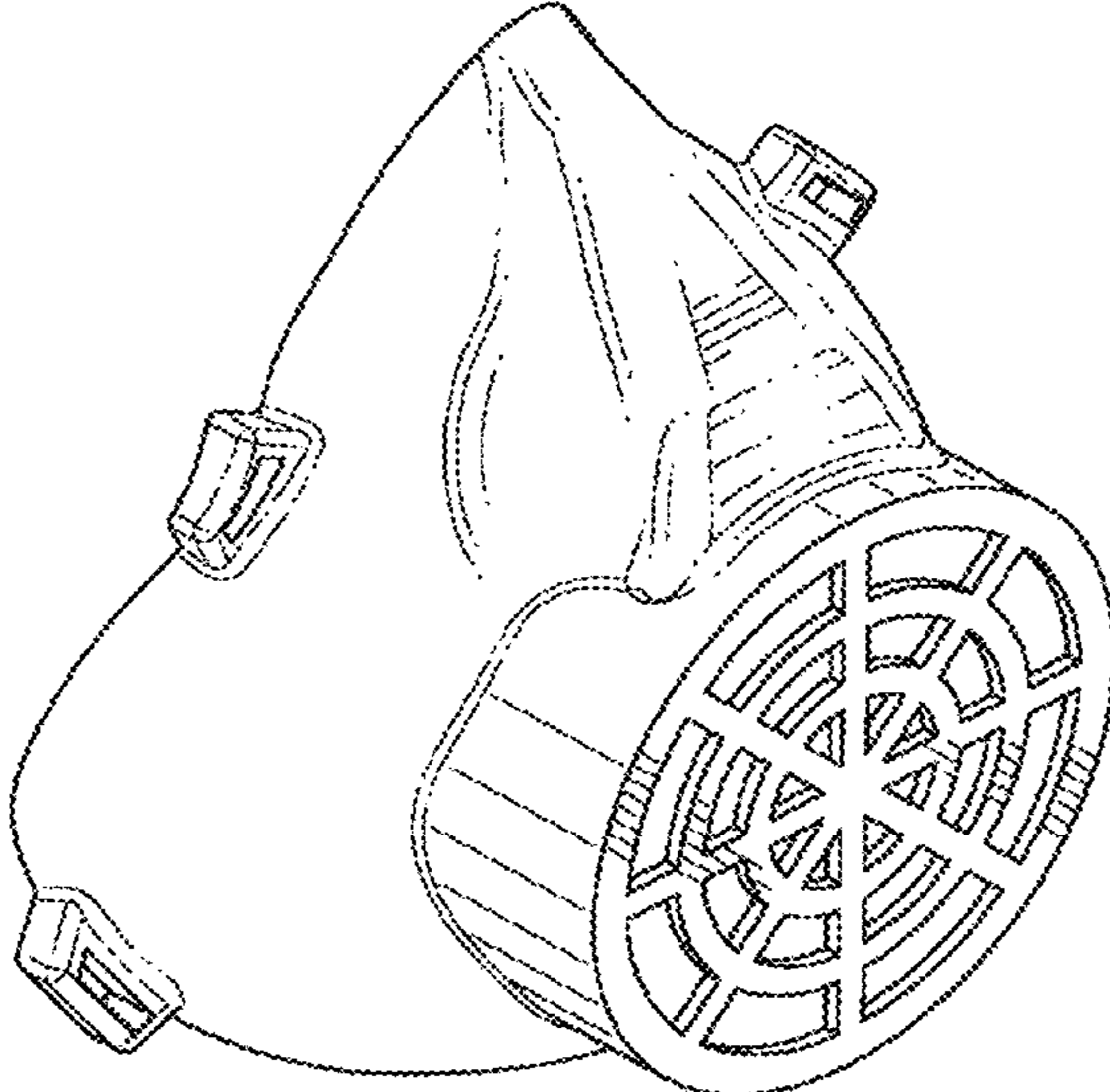


FIG 13

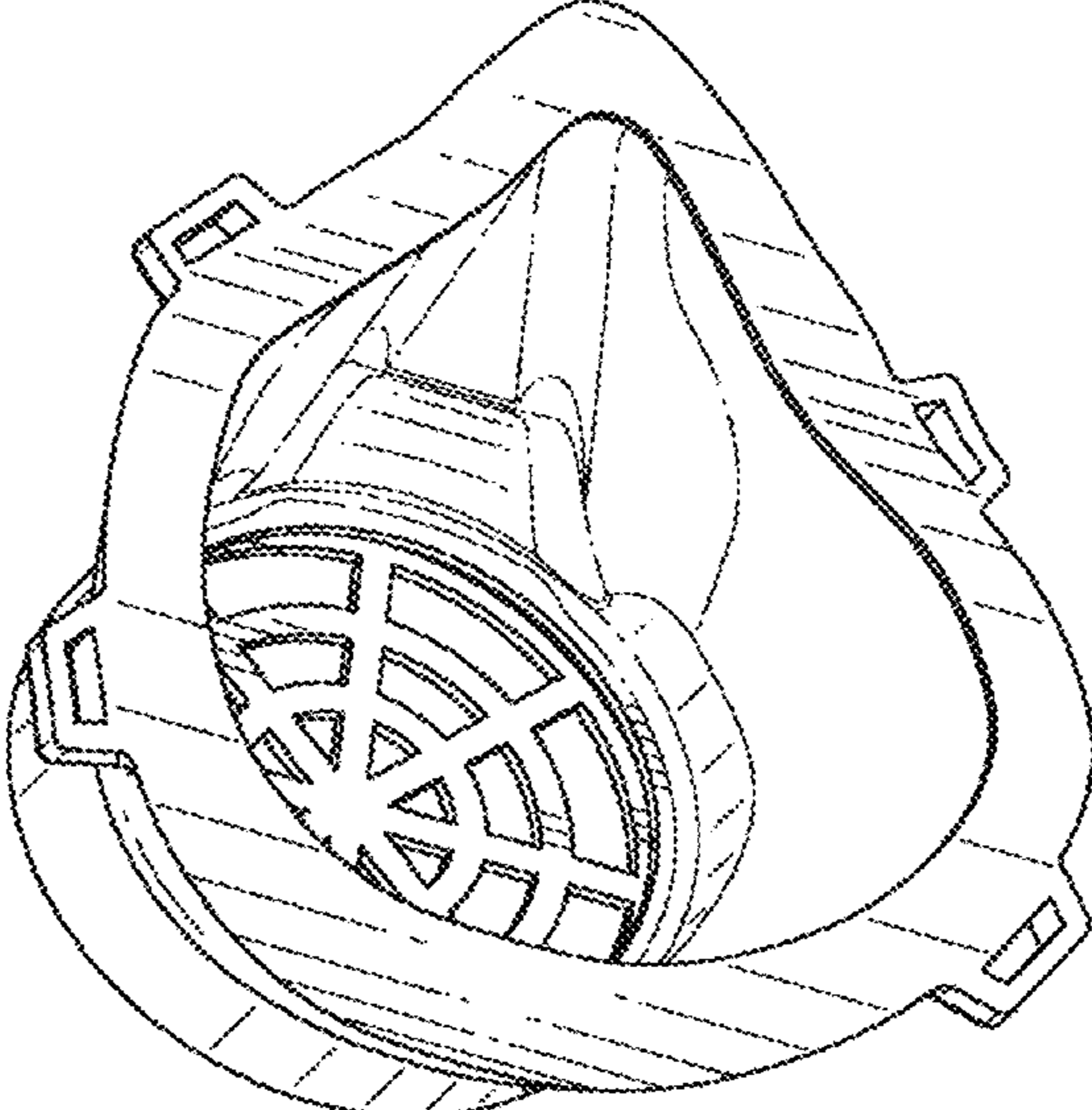


FIG 14



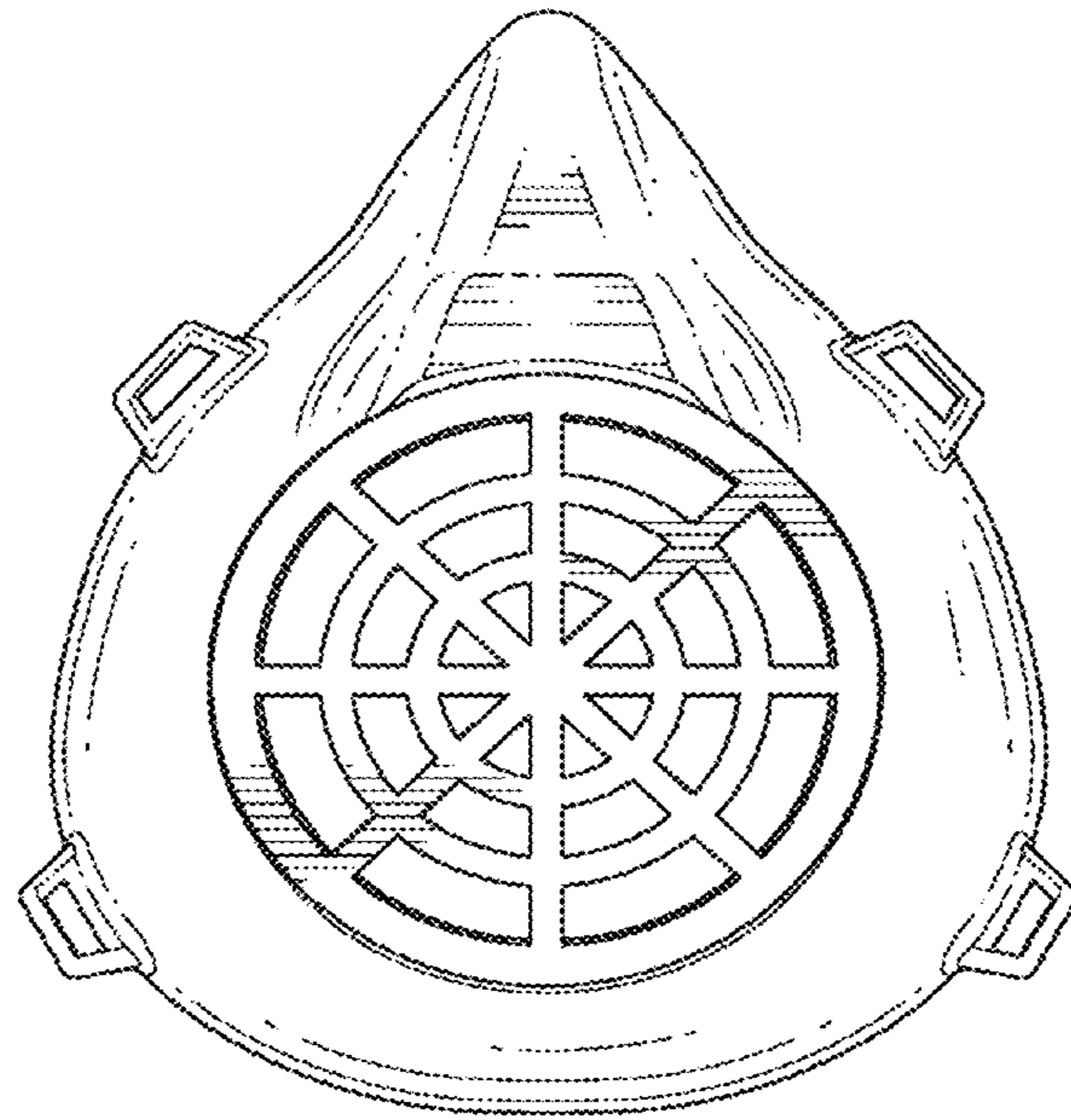


FIG 15

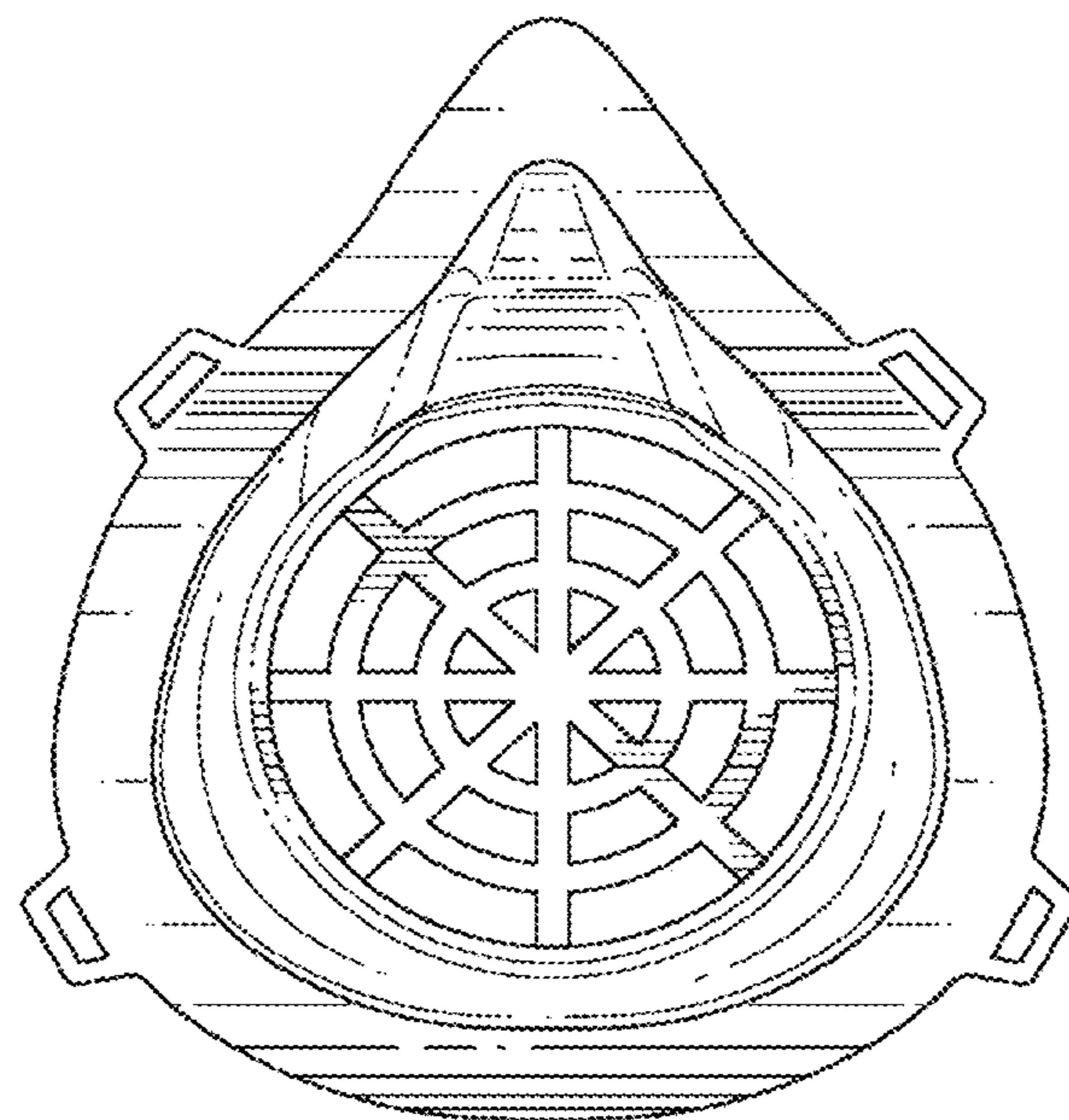


FIG 16

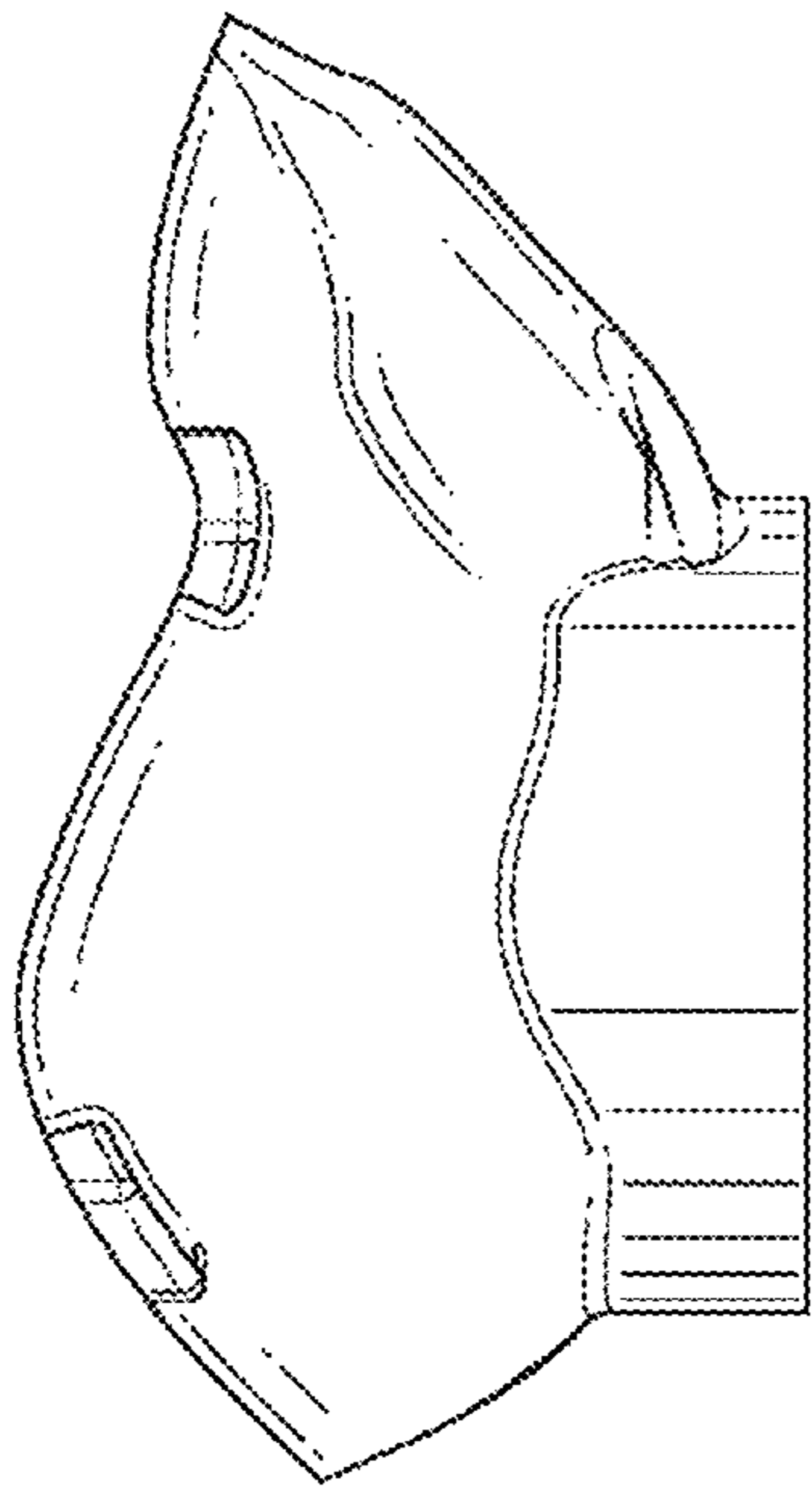


FIG 17

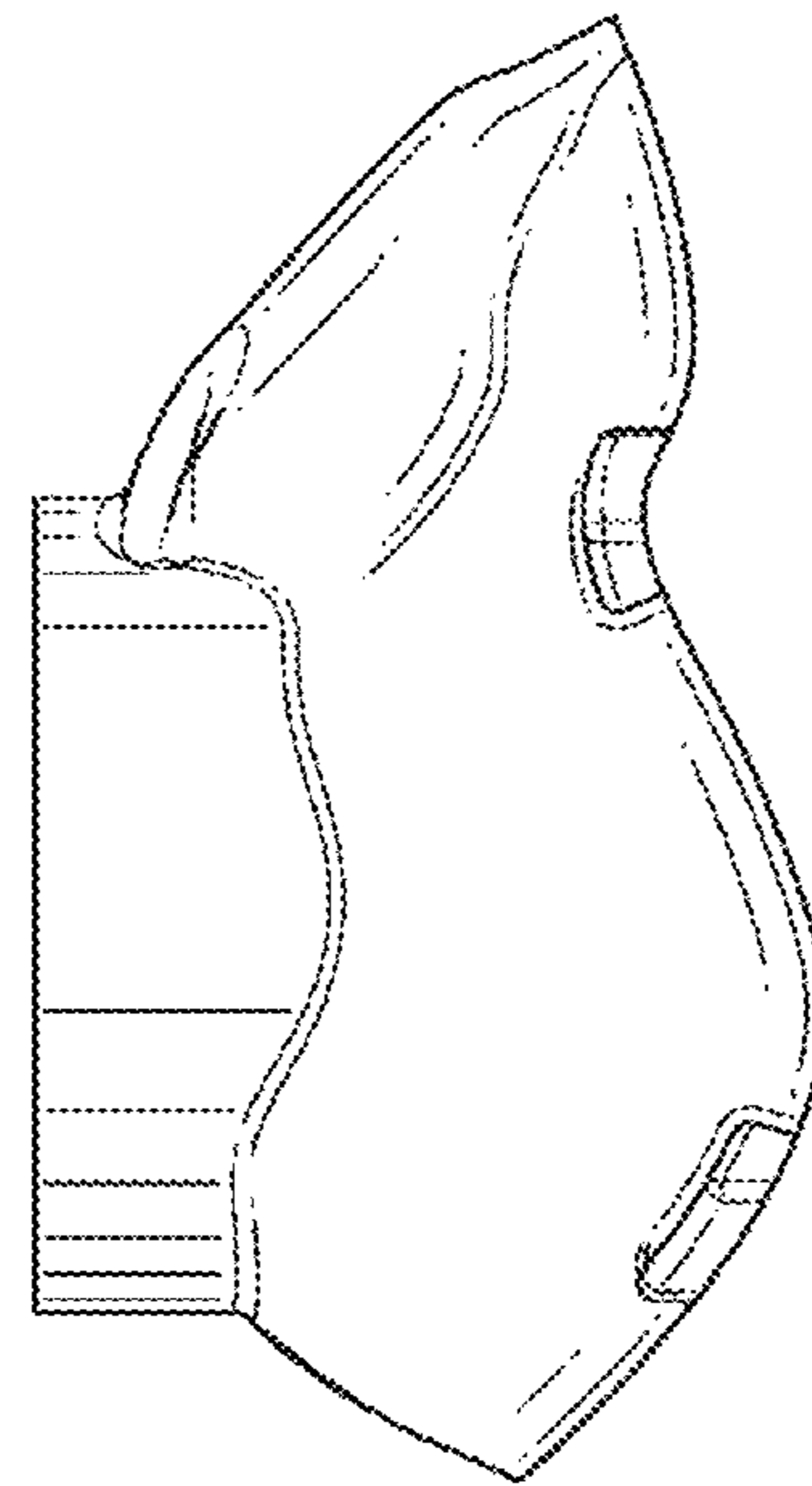


FIG 18

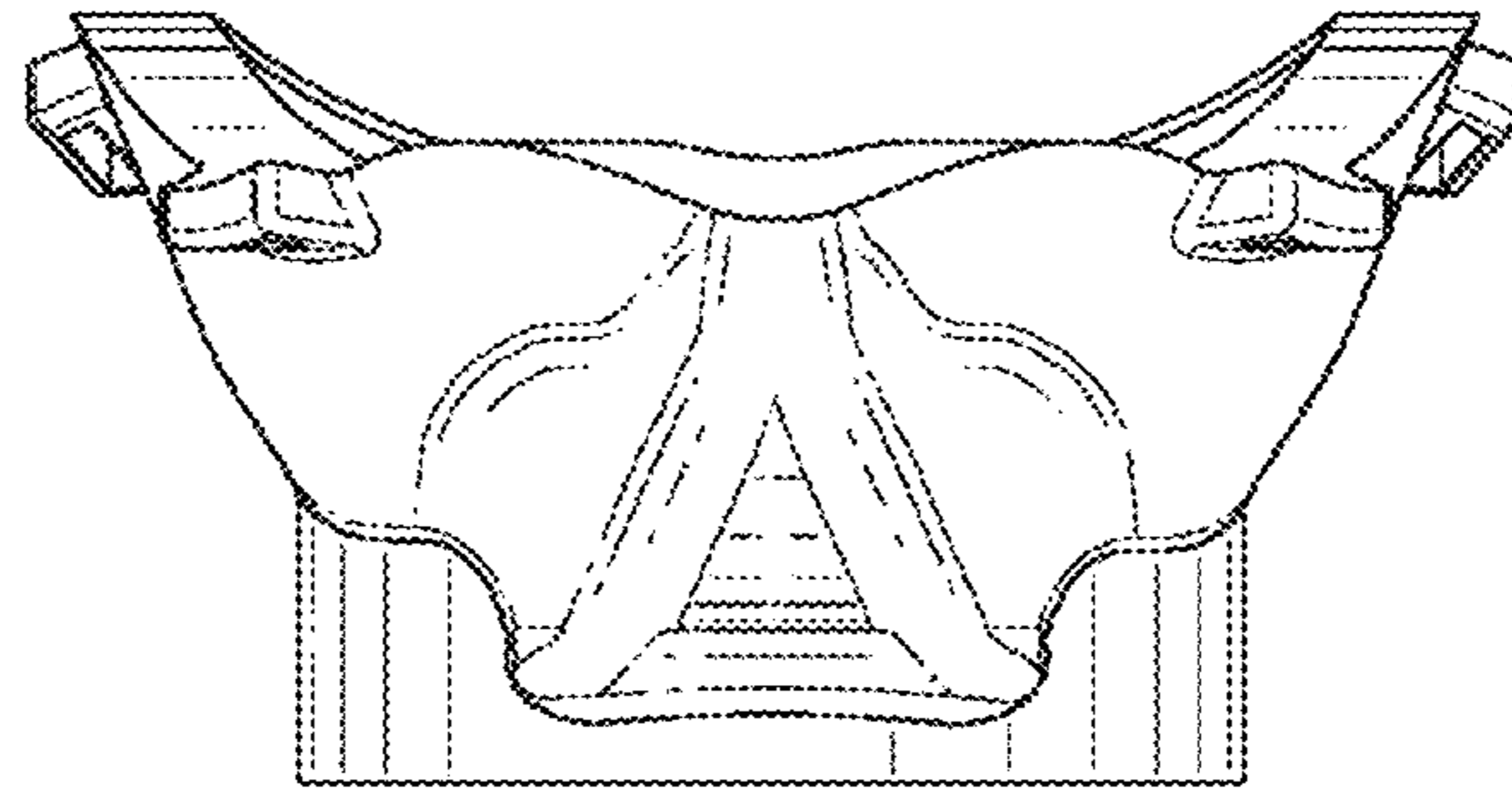


FIG 19

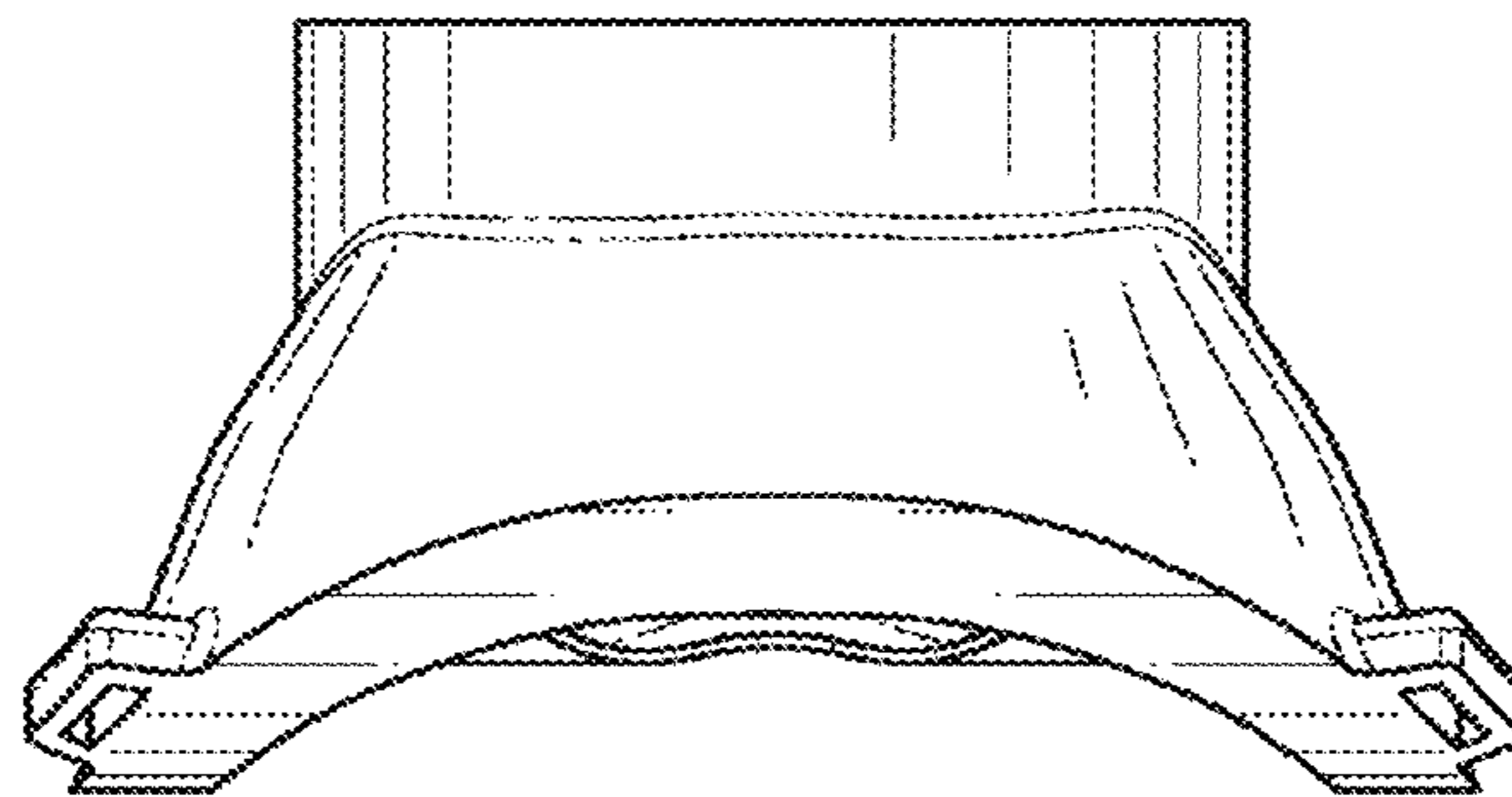


FIG 20

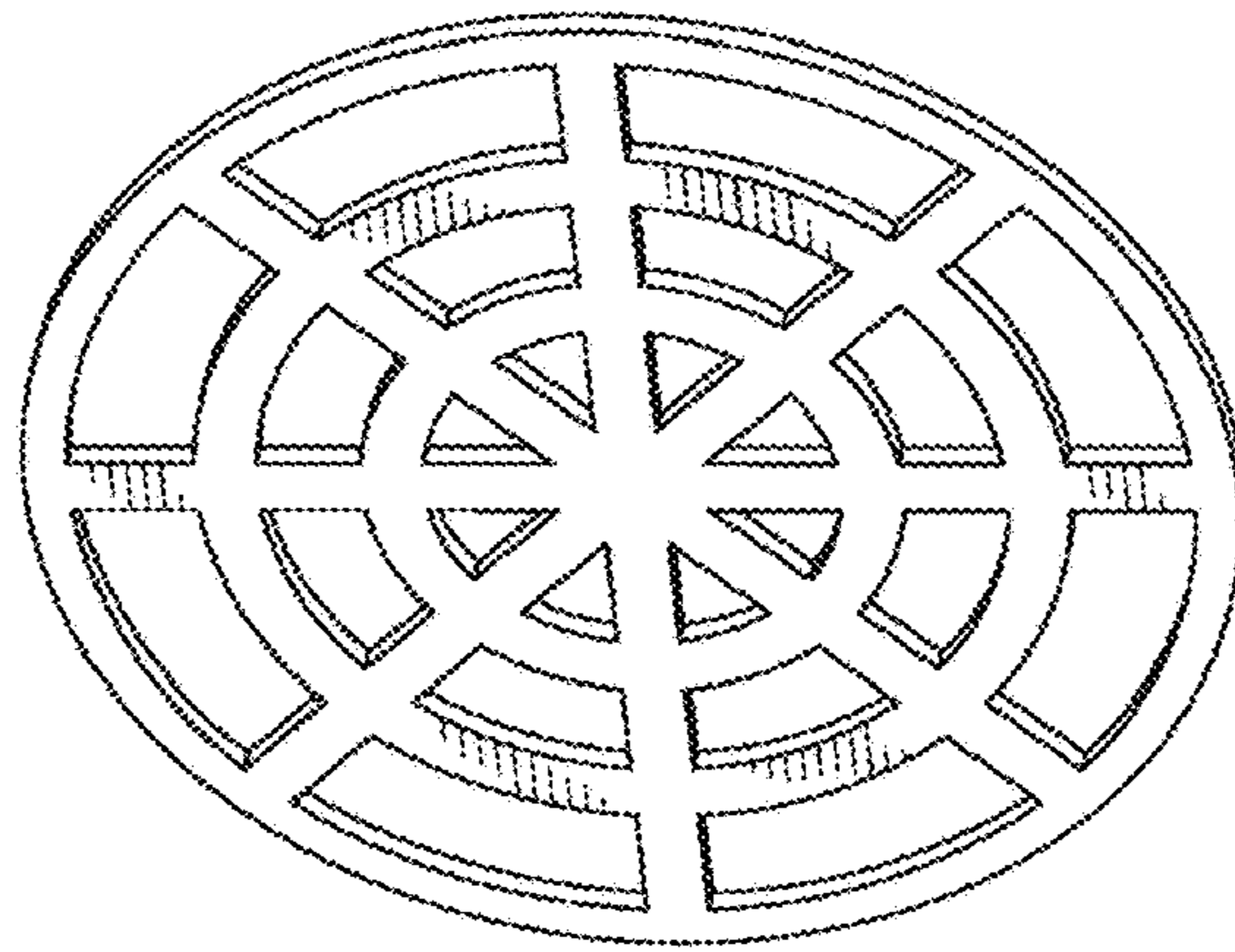


FIG 21

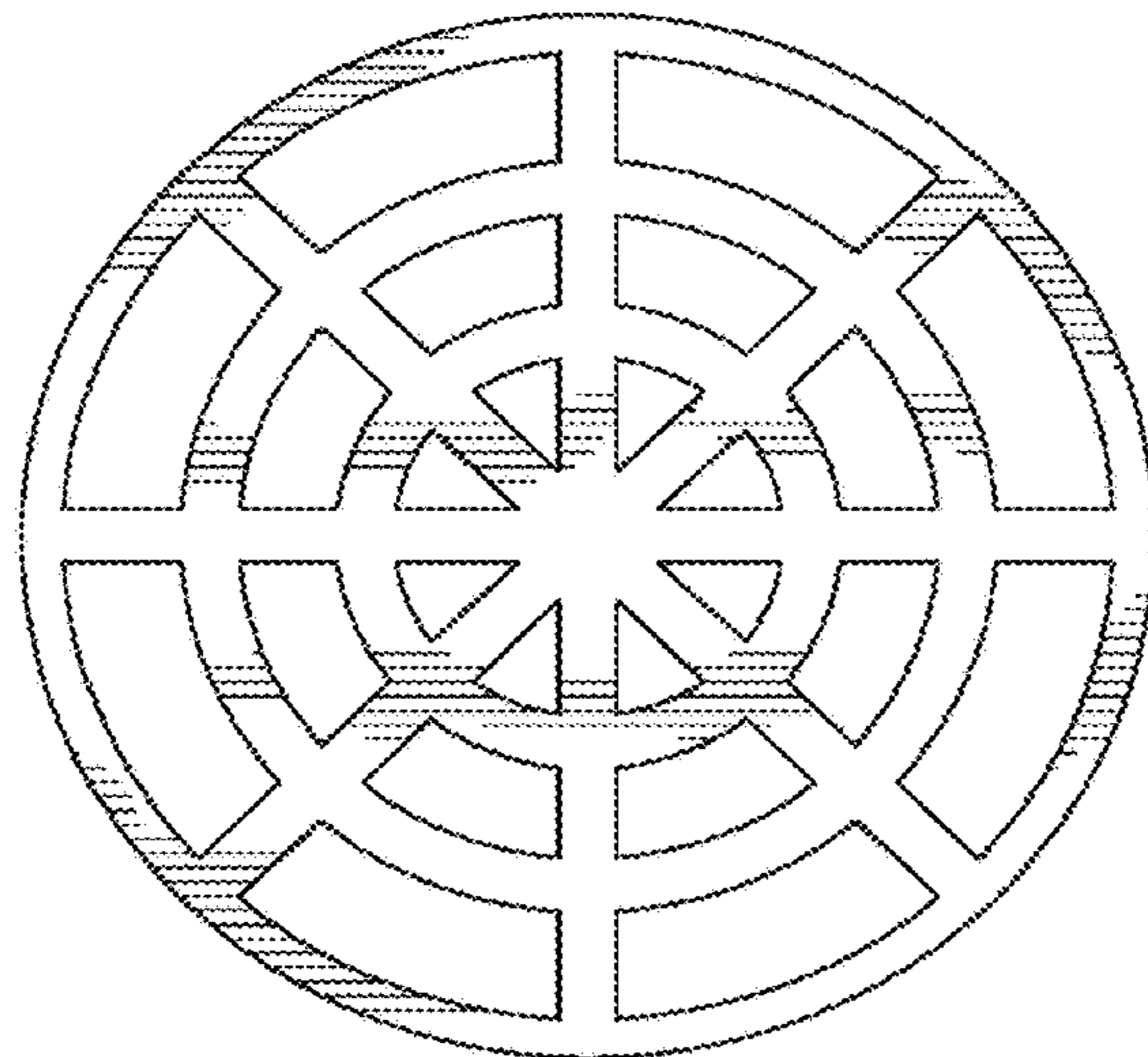


FIG 22

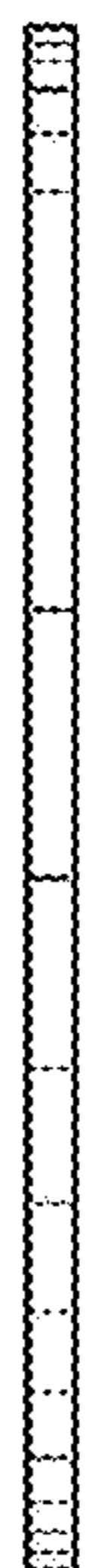


FIG 23

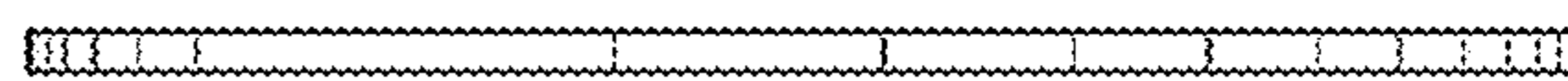


FIG 24

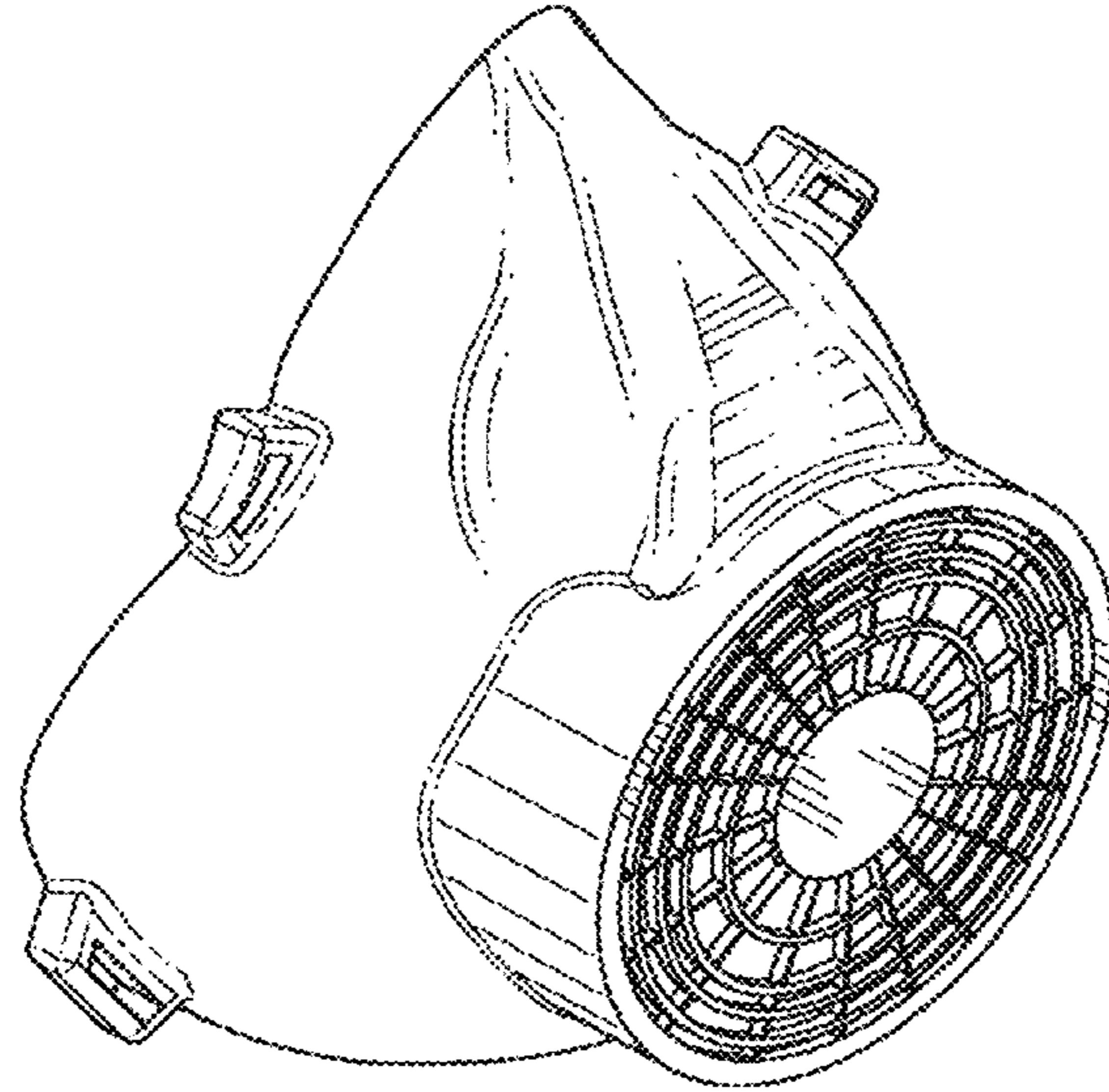


FIG 25

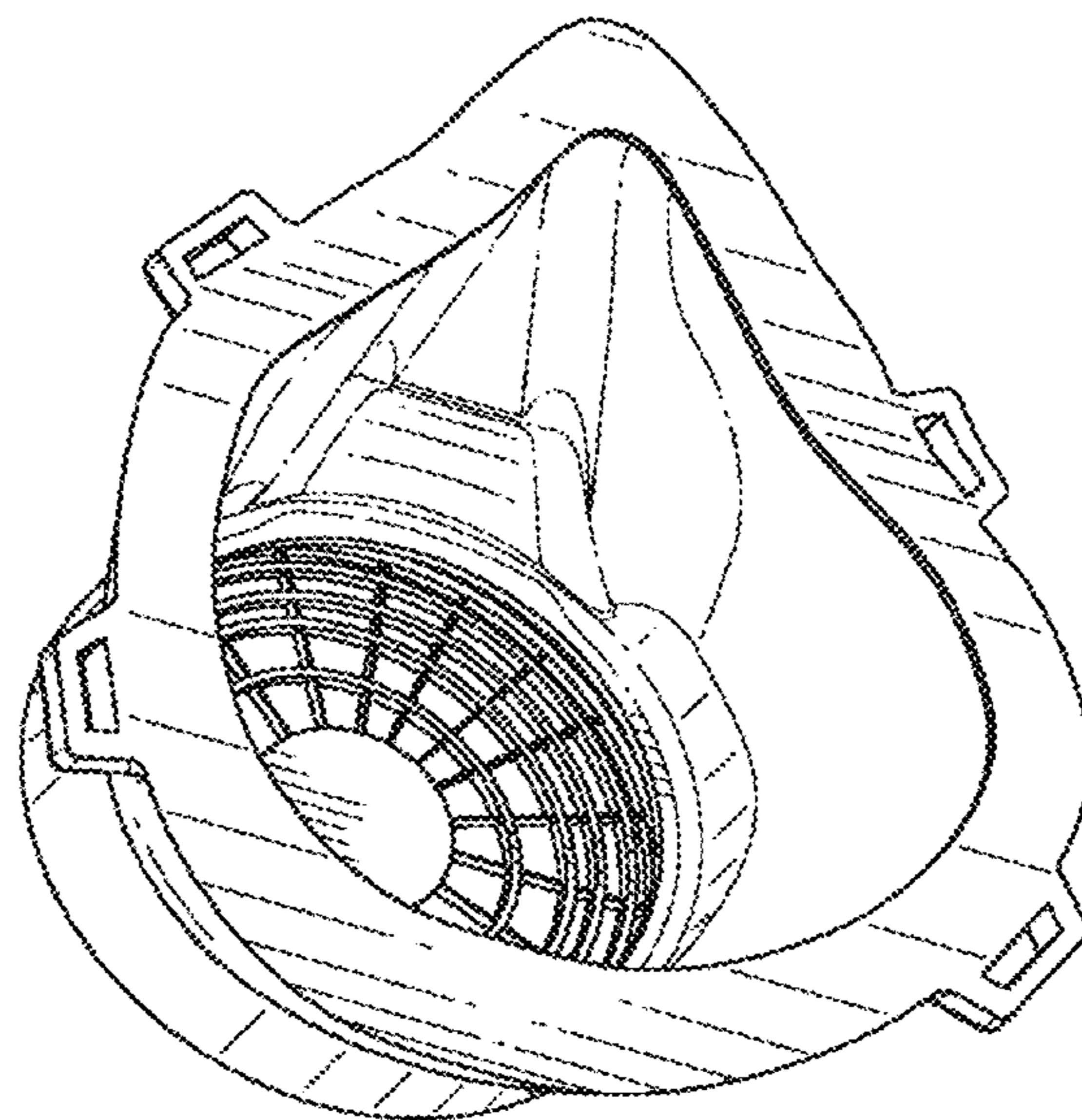


FIG 26

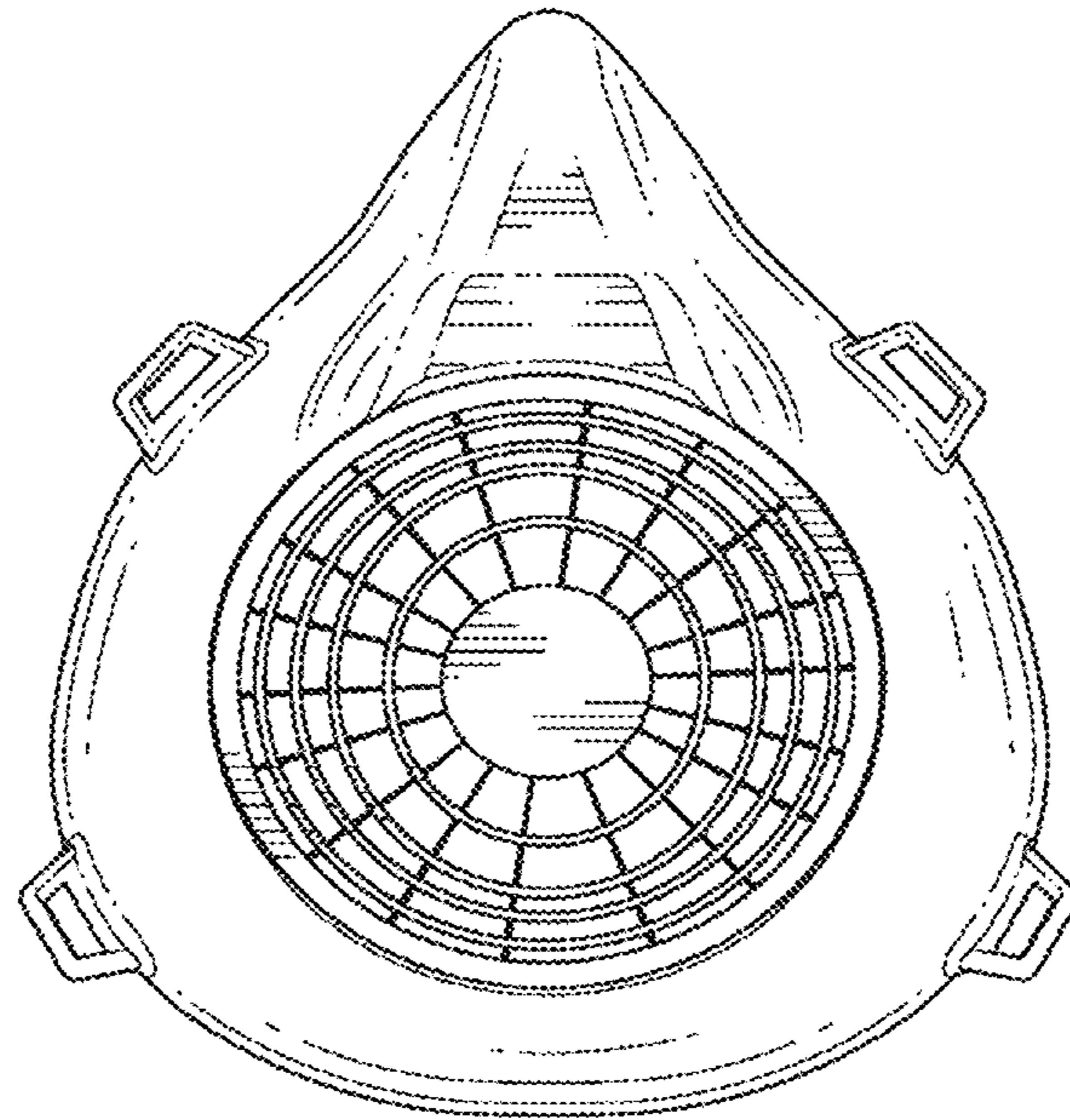


FIG 27

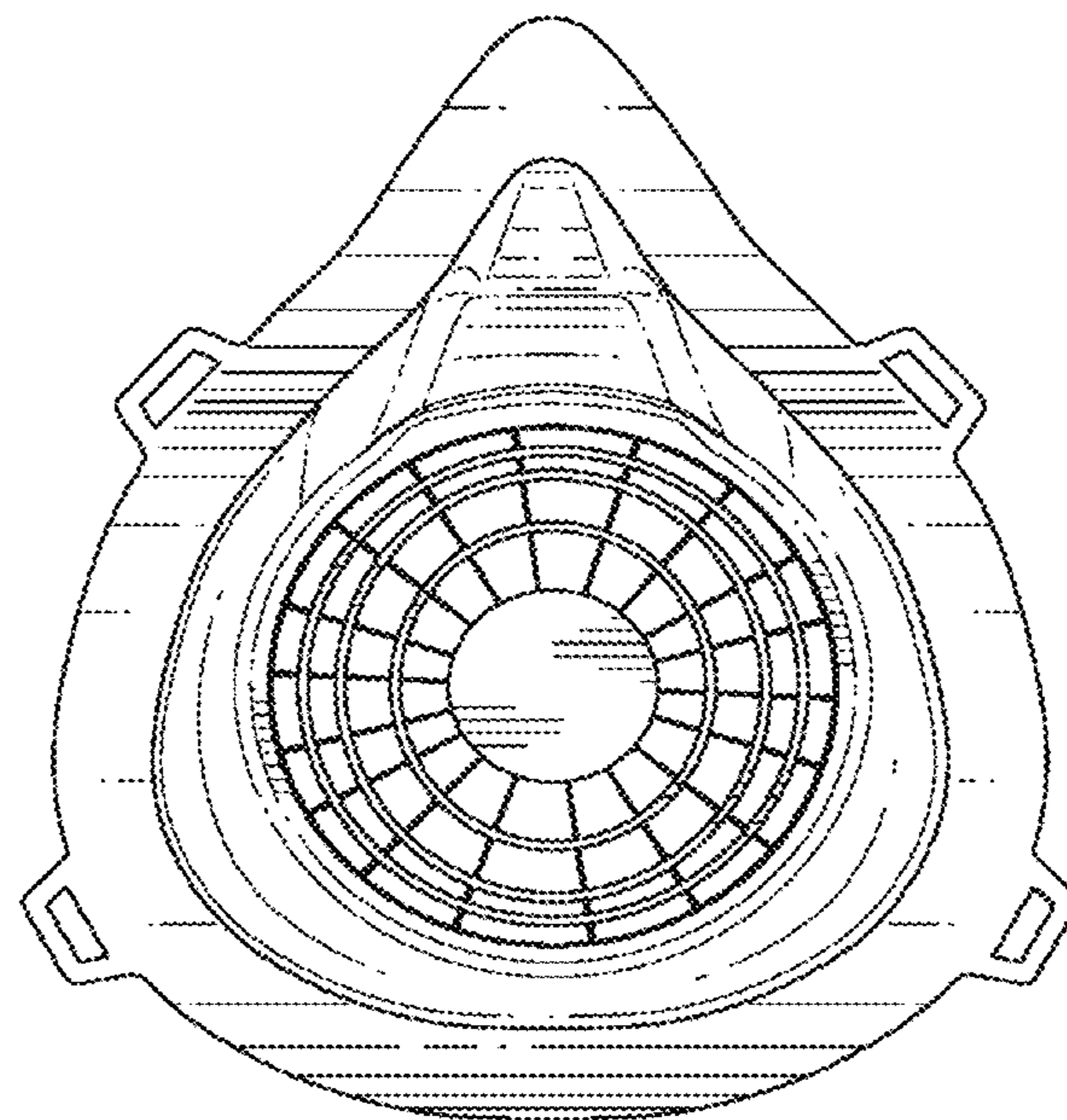


FIG 28

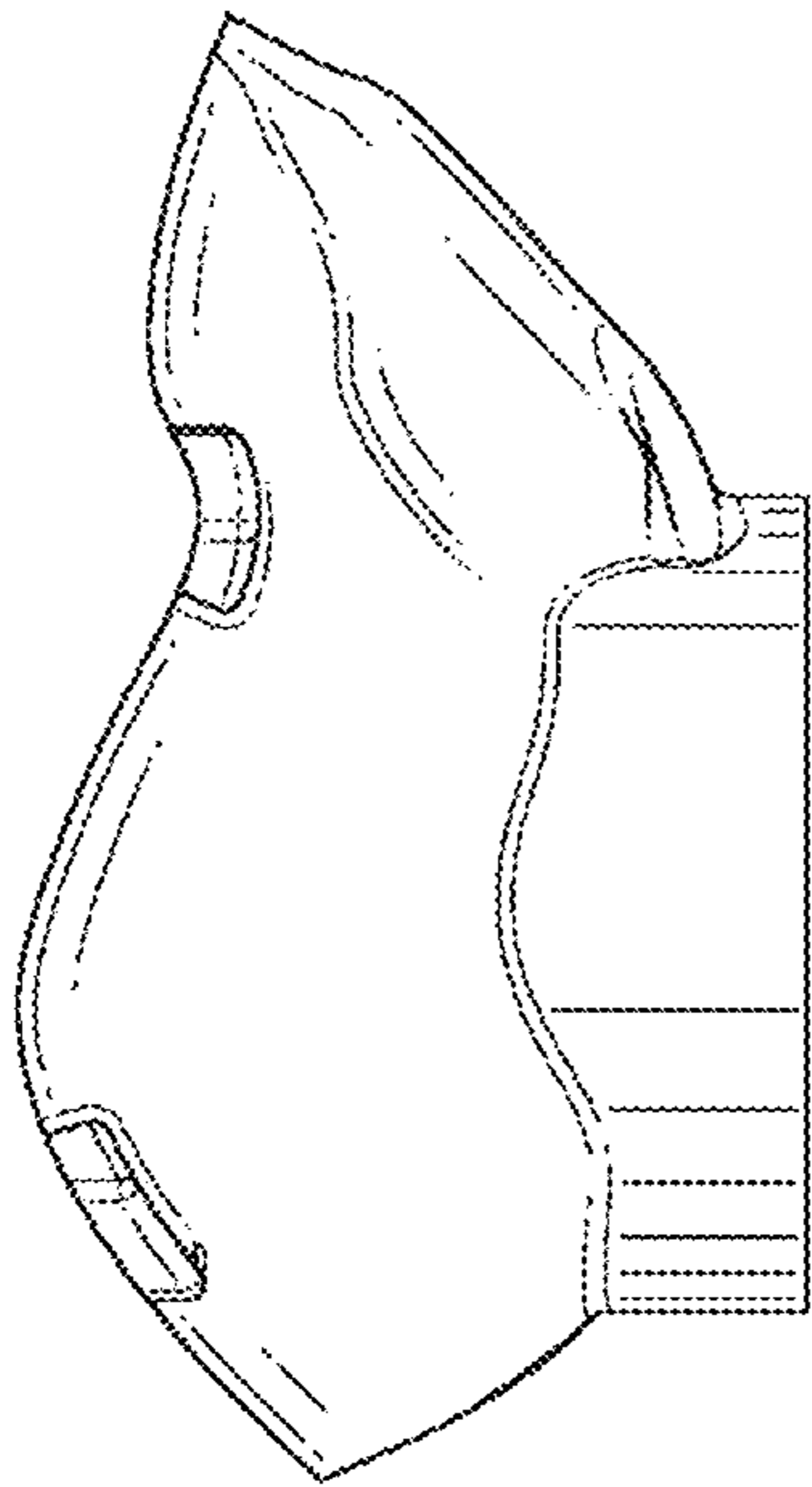


FIG 29

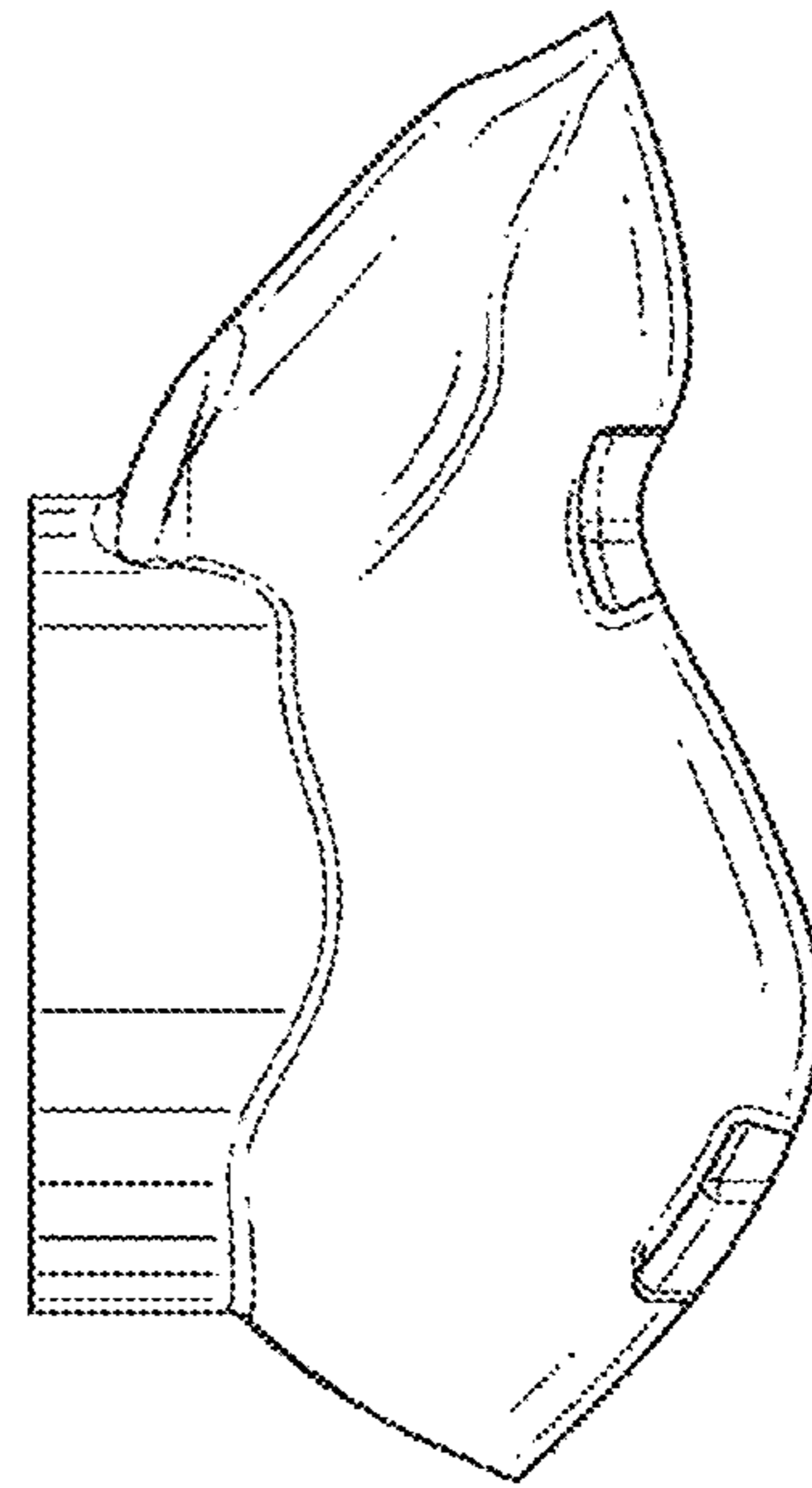


FIG 30

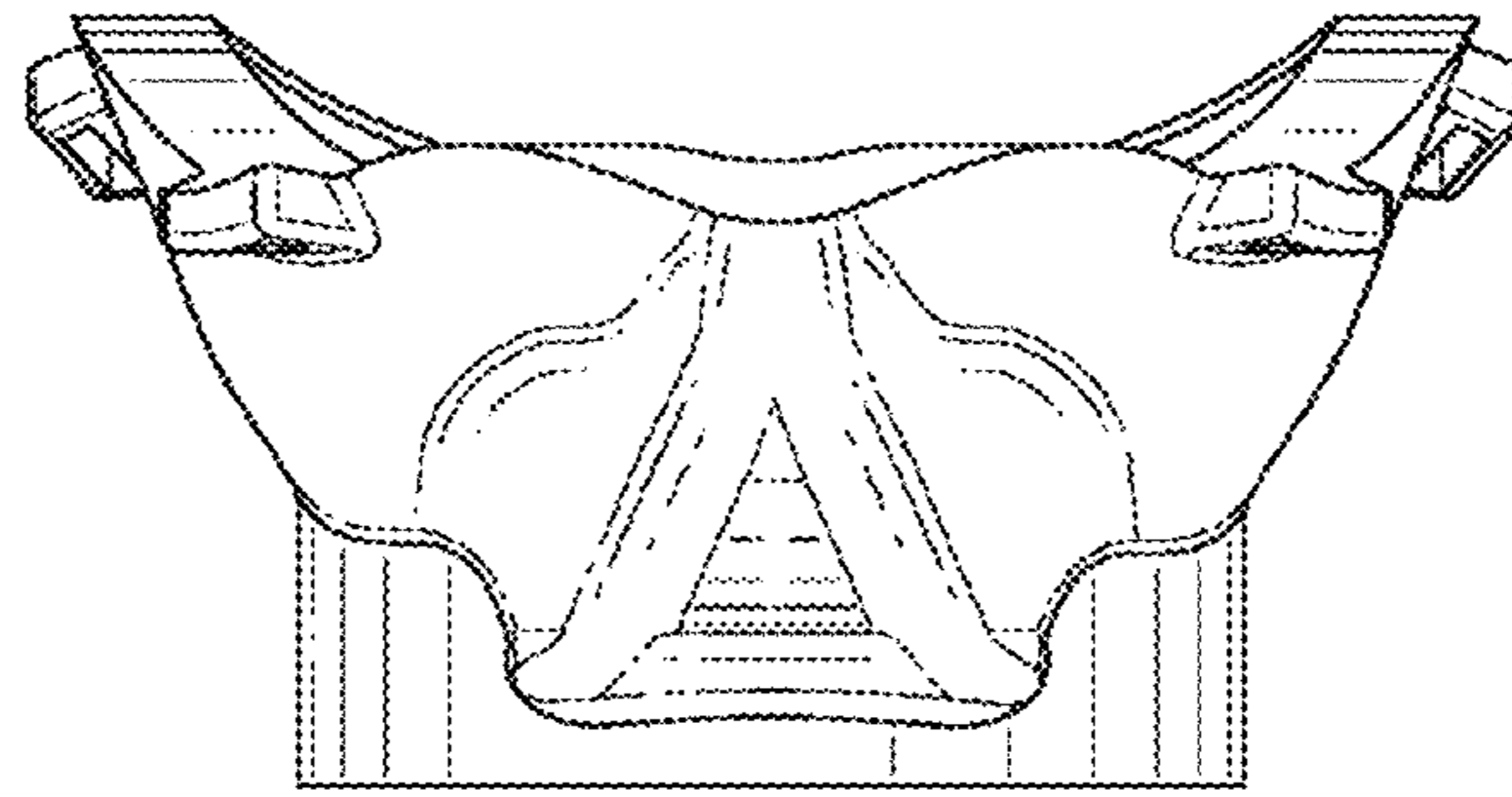


FIG 31

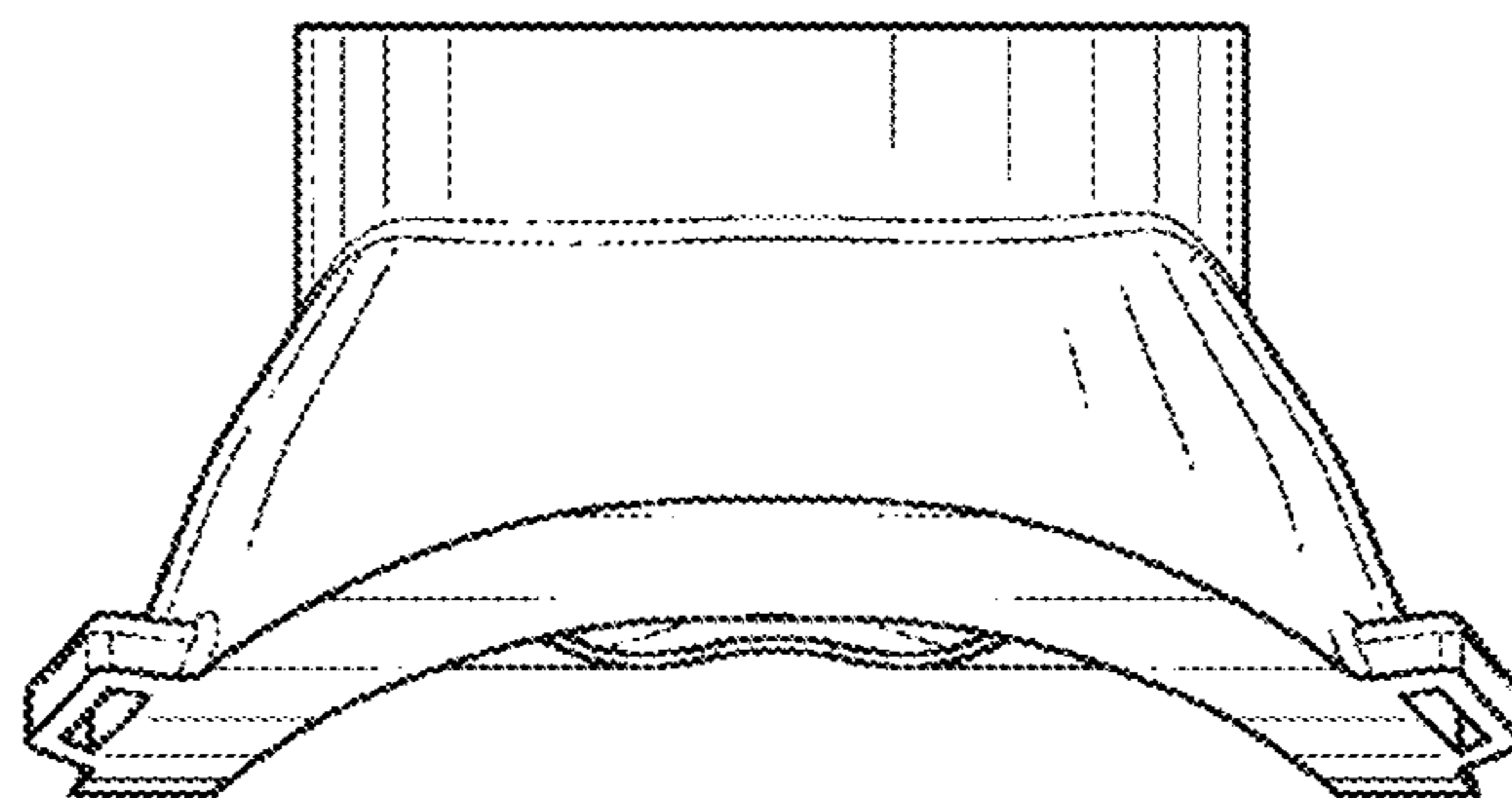


FIG 32



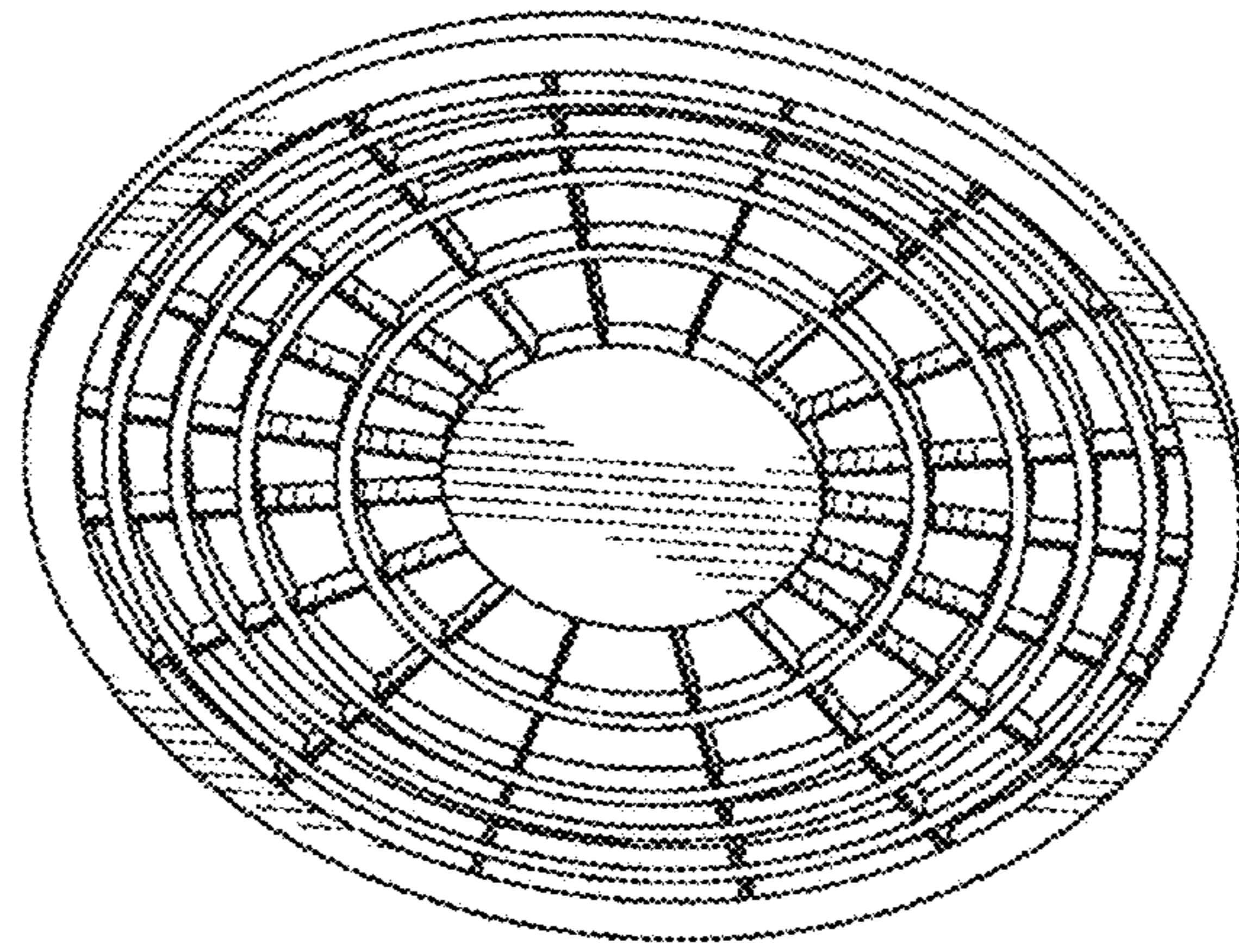


FIG 33

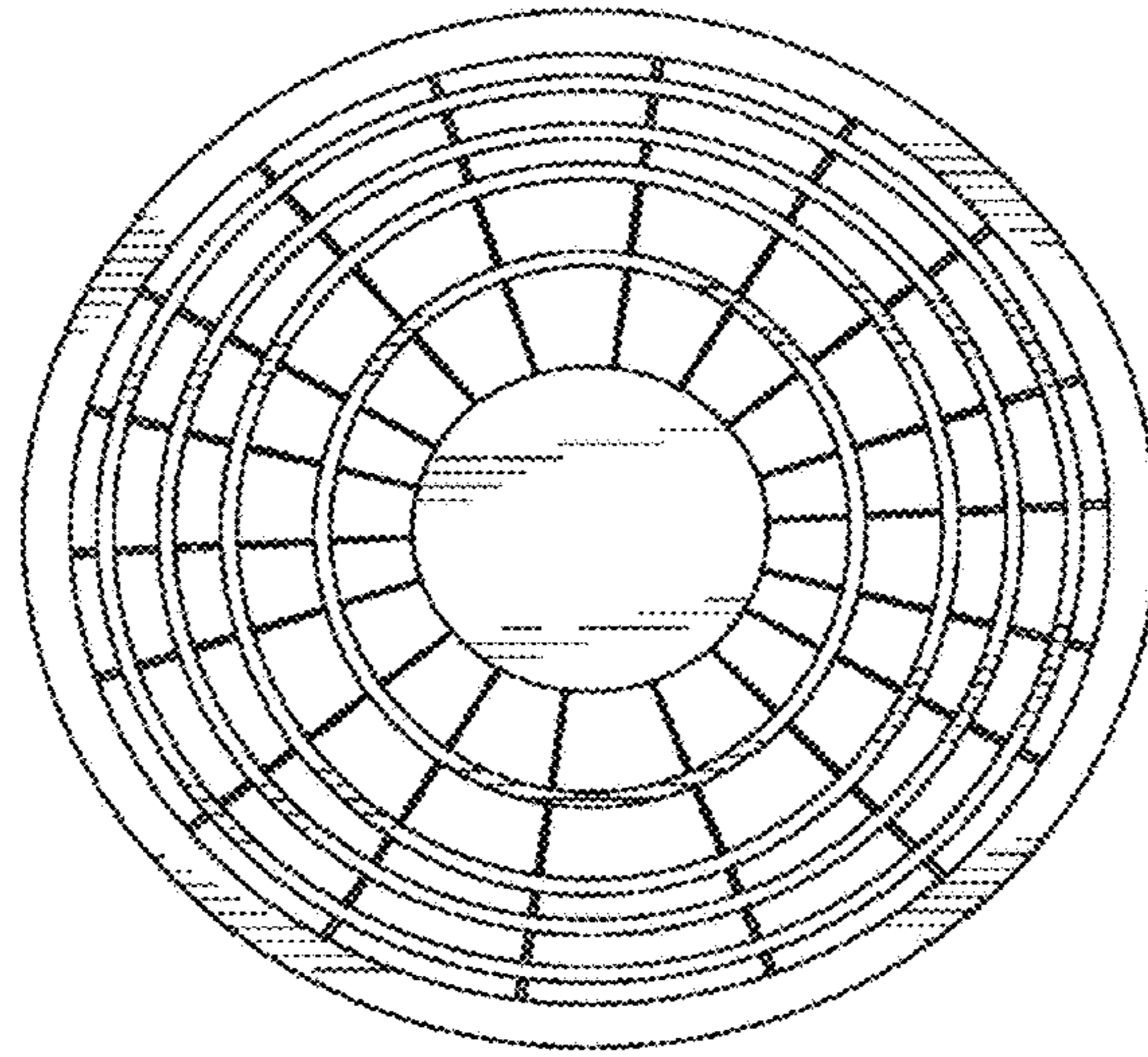


FIG 34

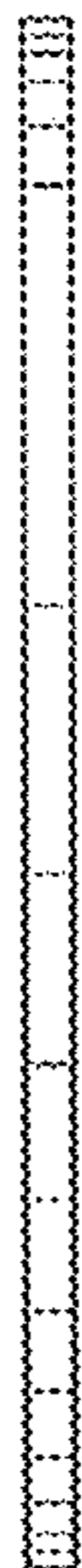


FIG 35

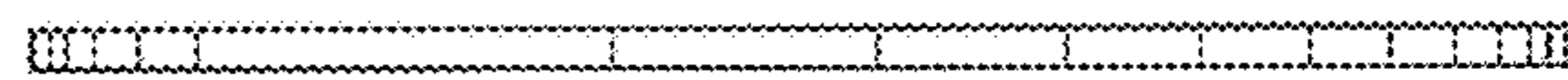


FIG 36